

## Hw-Battery-Lamp - 3 601 DA0 010 - FL 12

[www.powertools-aftersaleservice.com](http://www.powertools-aftersaleservice.com)



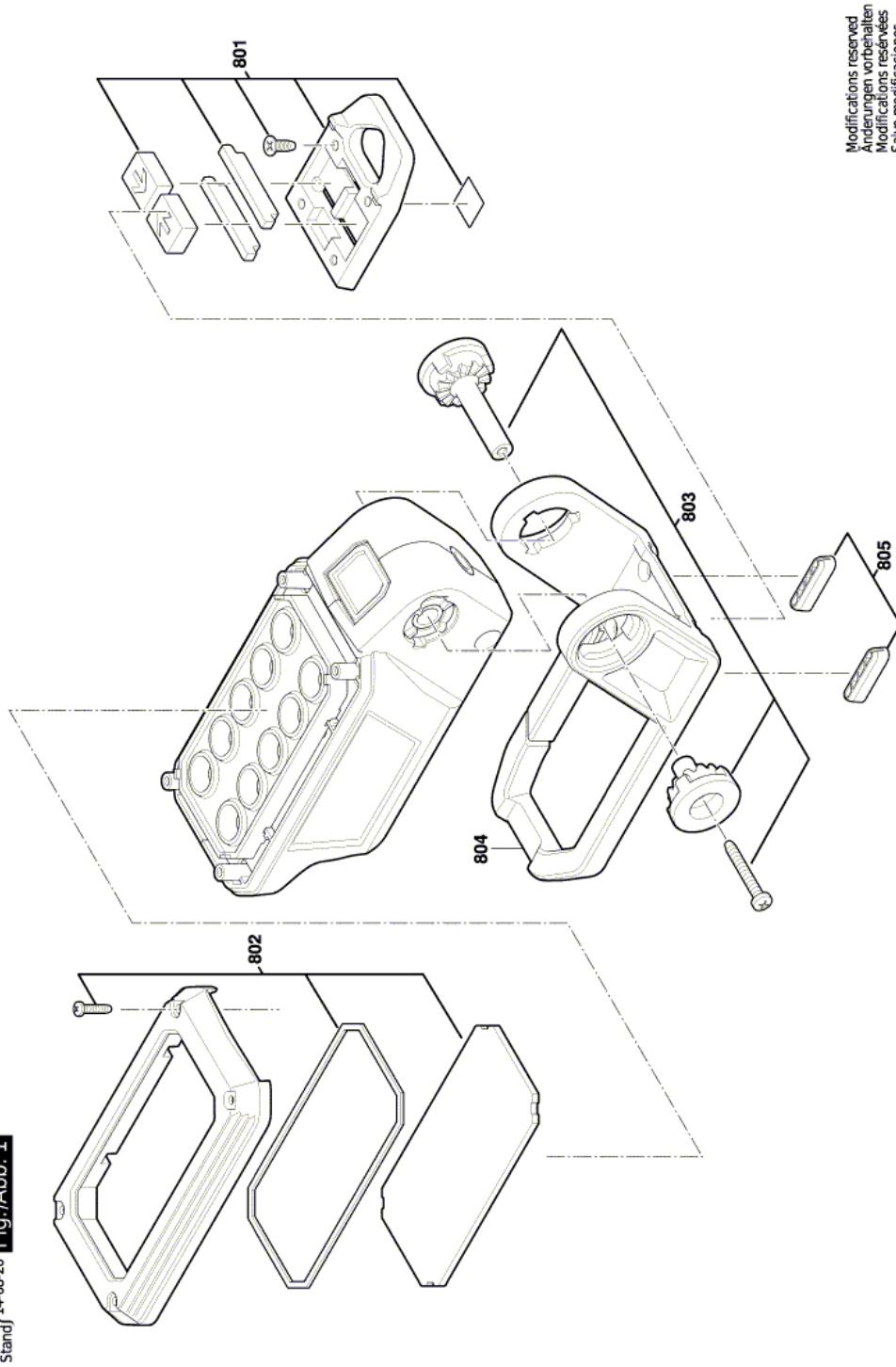
**BOSCH**

Item	Part Number	Description	Illustration	Price	Quantity	Price Group
801	1 600 A00 1CP	Magnet Assembly		1	-,-	1 26
802	1 600 A00 1CR	Protective Glass		1	-,-	1 19
803	1 600 A00 1CS	Joint		1	-,-	1 20
804	1 600 A00 1CT	Swivel foot		1	-,-	1 31
805	1 600 A00 37G	Rubber Plug		1	-,-	1 13

Product information Hw-Battery-Lamp - 3 601 DA0 010 - FL 12

Product No	3 601 DA0 010
Description	264.210; Hw-Battery-Lamp
DIN-Text	
ID_Text_Ext	0
Trading_Description	FL 12
Voltage_1	0 V
ID_Country_Product	---

Illustration - Type E



3 601 DA0 000  
Issue 14-08-20  
Stand **Fig./Abb. 1**

Modifications reserved  
Änderungen vorbehalten  
Modificaciones reservadas  
Salvo modificaciones

Information subject to change without further notice.