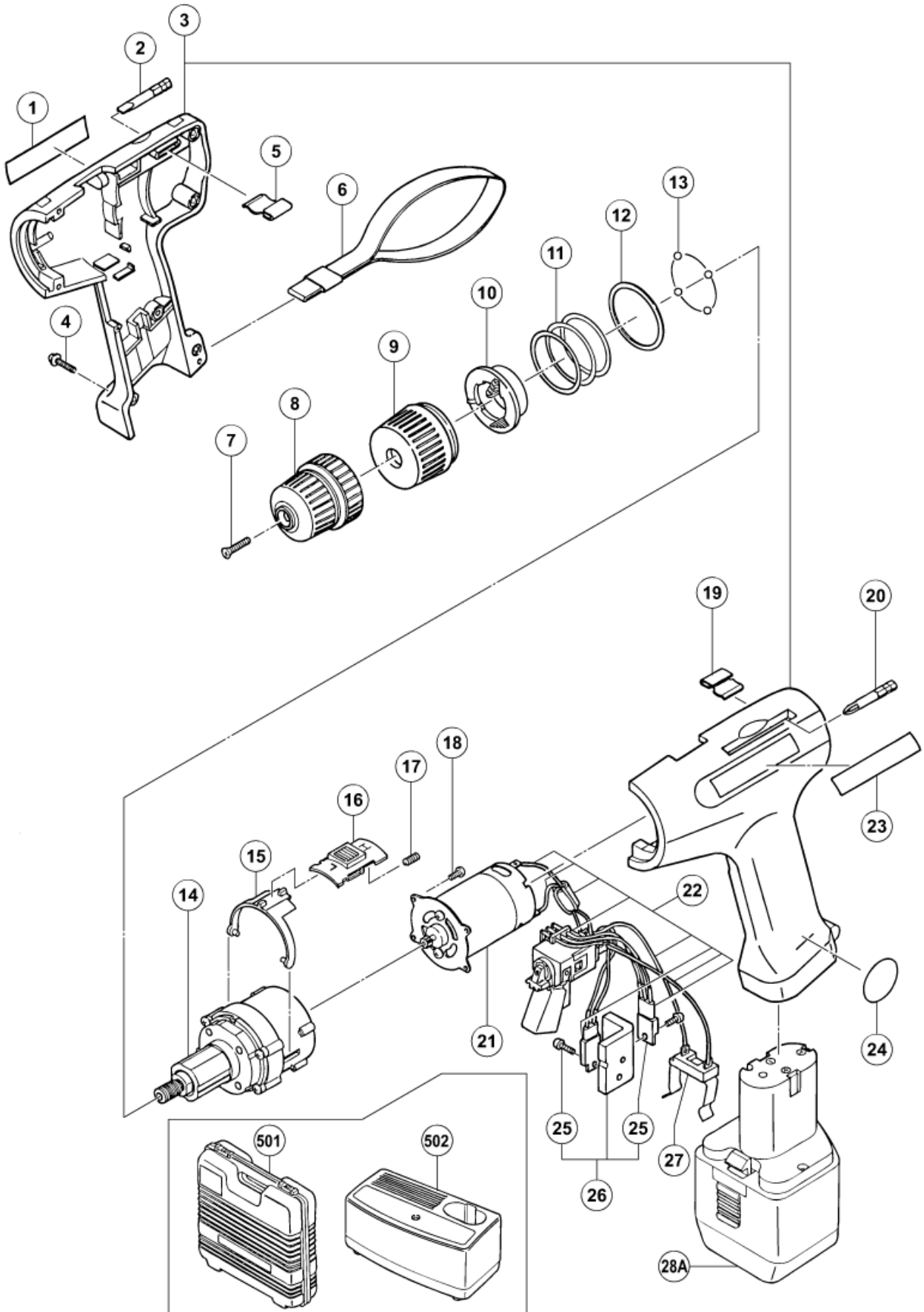


Item #	Descriptions	QTY
1	NAME PLATE	1
2	308511 - DRIVER BIT 4MMX50L	1
3	314864 HOUSING (A).(B) SET	1
4	309614 TAPPING SCREW (W/FLANGE) D3X14	7
5	309611 BIT HOLDER (B)	1
6	309617 STRAP	1
7	980836 FLAT HD. SCREW (LEFT HAND) M5X20	1
8A	323250 DRILL CHUCK 10TLRK-N (W/O CHUCK WRENCH)	1
9	309599 CAP	1
10	309600 SPRING HOLDER	1
11	309601 SPRING	1
12	309602 THRUST PLATE	1
13	309603 STEEL BALL	4
14	309604 SPINDLE AND GEAR SET	1
15	309607 SHIFT ARM	1
16	309608 SHIFT KNOB	1
17	309609 SHIFT SPRING	1
18	309606 TAPPING SCREW D3X8	4
19	309612 BIT HOLDER (A)	1
20	308510 + DRIVER BIT NO.2X50L	1
21	314863 MOTOR	1
22	314865 DC-SPEED CONTROL SWITCH	1
23	HITACHI LABEL	1
24	MARK PL	1
25	FT SCREW M3X10	2
26	310156 FIN ASS'Y	1
27	310157 TERMINAL	1
28A	324362 BATTERY EB 1214S (ASIA,ETC.)	1
501	314866 CASE	1
502	CHAGER	1



Rev.1

形名
FDS12DV