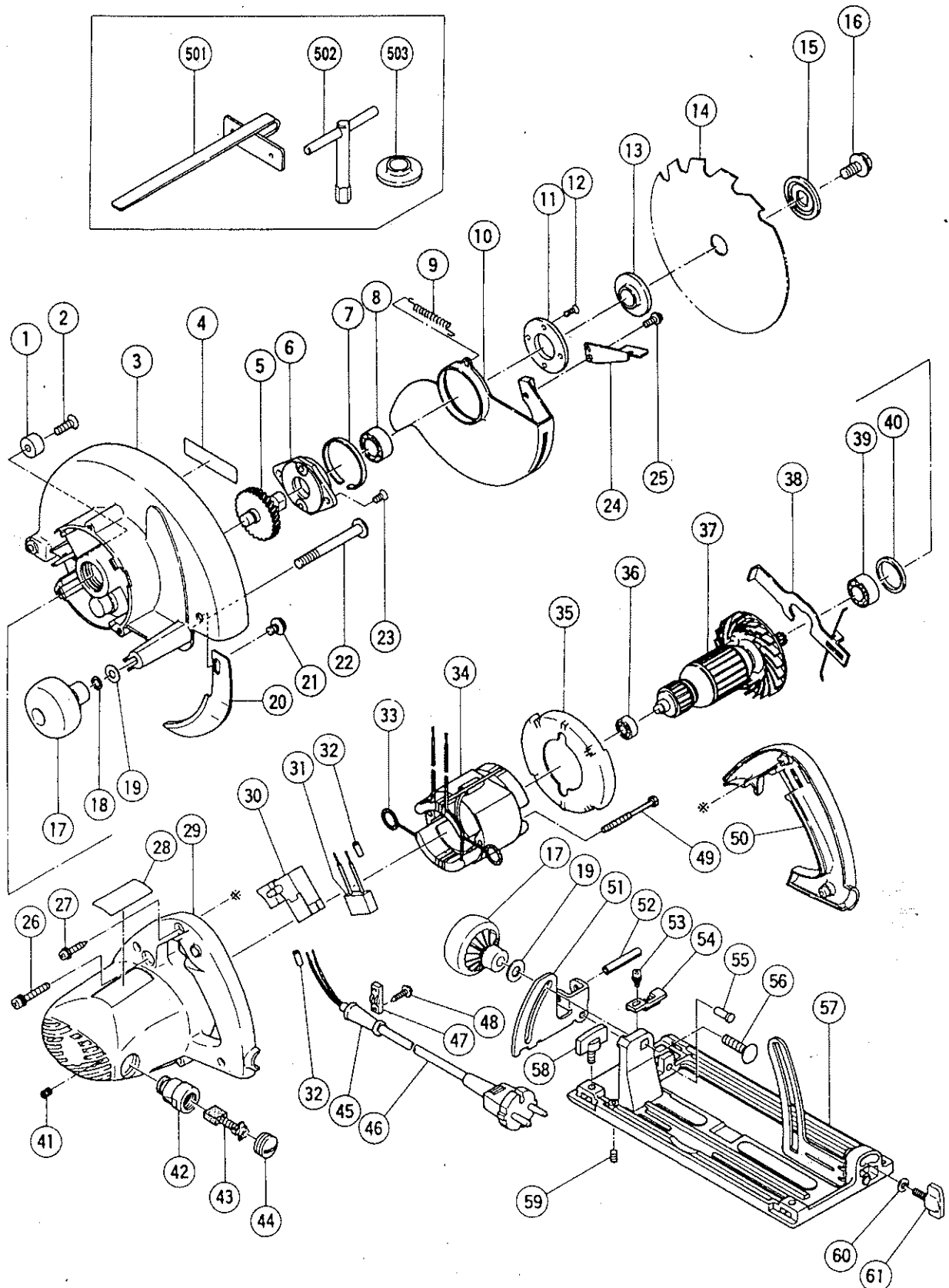


ELECTRIC TOOL PARTS LIST

■ CIRCULAR SAW
Model FC 6SB

1998·6·10
(E1)



PARTS

FC 6SB

ITEM No.	CODE NO.	DESCRIPTION	NO. USED	REMARKS
1	961-729	CUSHION	1	
2	949-794	FLAT HD. SCREW M6X20 (10 PCS.)	1	
3	302-742	GEAR COVER ASS'Y	1	INCLUD.1,2,40
4		HITACHI LABEL	1	
5	302-449	SPINDLE GEAR	1	
6	302-433	BEARING HOLDER	1	
7	961-807	BUSHING	1	
8	600-3VV	BALL BEARING 6003VVCMP2S	1	
9	302-463	RETURN SPRING	1	
10	302-461	SAFETY COVER	1	
11	302-435	BEARING COVER	1	
12	990-430	SEAL LOCK FLAT HD. SCREW M4X10	2	
13	302-476	WASHER (A)	1	
13	302-443	WASHER (A)	1	FOR FRG,FRA
14	302-409	TCT SAW BLADE 165MM-D30 HOLE-NT14	1	
14	302-407	TCT SAW BLADE 165MM-D16 HOLE-NT14	1	
15	302-423	WASHER (B)	1	
16	302-427	BOLT (W/FLANGE) M8X15.5	1	
17	302-458	KNOB	2	
18	676-531	O-RING (P-7)	1	
19	949-433	BOLT WASHER M8 (10 PCS.)	2	
20	303-838	RIVING KNIFE	1	
21	302-468	BOLT (W/FLANGE) M8X10 (BLACK)	1	
22	302-460	DIAGONAL BOLT M8	1	
23	992-013	SEAL LOCK FLAT HD. SCREW M5X14	2	
24	302-464	KNOB	1	
25	304-043	MACHINE SCREW (W/WASHERS) M4X10 (BLACK)	1	
26	997-234	MACHINE SCREW (W/WASHERS) M5X35	3	
27	301-653	TAPPING SCREW (W/FLANGE) D4X20 (BLACK)	3	
28		NAME PLATE	1	
29	316-248	HOUSING ASS'Y	1	INCLUD.41,42
30	963-756Z	SWITCH (2P PILLAR TYPE) W/SAFETY LOCK	1	
31	930-039	NOISE SUPPRESSOR	1	
32	981-373	TUBE (D)	4	
33	930-703	BRUSH TERMINAL	2	
34	340-416E	STATOR ASS'Y 230V	1	INCLUD.33
35	302-454	FAN GUIDE	1	
36	608-VVM	BALL BEARING 608VVMC2EPS2L	1	
37	360-466E	ARMATURE 230V	1	
38	302-453	LOCK LEVER	1	
39	600-1VV	BALL BEARING 6001VVCMP2L	1	
40	958-130	RUBBER RING	1	
41	938-477	HEX. SOCKET SET SCREW M5X8	2	
42	958-900	BRUSH HOLDER	2	
43	999-043	CARBON BRUSH (1 PAIR)	2	
44	945-161	BRUSH CAP	2	
45	953-327	CORD ARMOR D8.8	1	
46	500-234Z	CORD	1	
46	500-435Z	CORD	1	FOR GBR
47	960-266	CORD CLIP	1	
48	984-750	TAPPING SCREW (W/FLANGE) D4X16	2	

* : ALTERNATIVE PARTS

6 - 98

STANDARD ACCESSORIES

FC 6SB

ITEM No.	CODE NO.	DESCRIPTION	NO. USED	REMARKS
501	302-756	GUIDE	1	
502	302-478	BOX WRENCH 13MM	1	
503	302-476	WASHER (A)	1	FOR FRA

OPTIONAL ACCESSORIES

ITEM No.	CODE NO.	DESCRIPTION	NO. USED	REMARKS
601	302-981	DUST COLLECTOR SET (D)	1	

*: ALTERNATIVE PARTS

Printed in Japan 6-98
(980610 N)