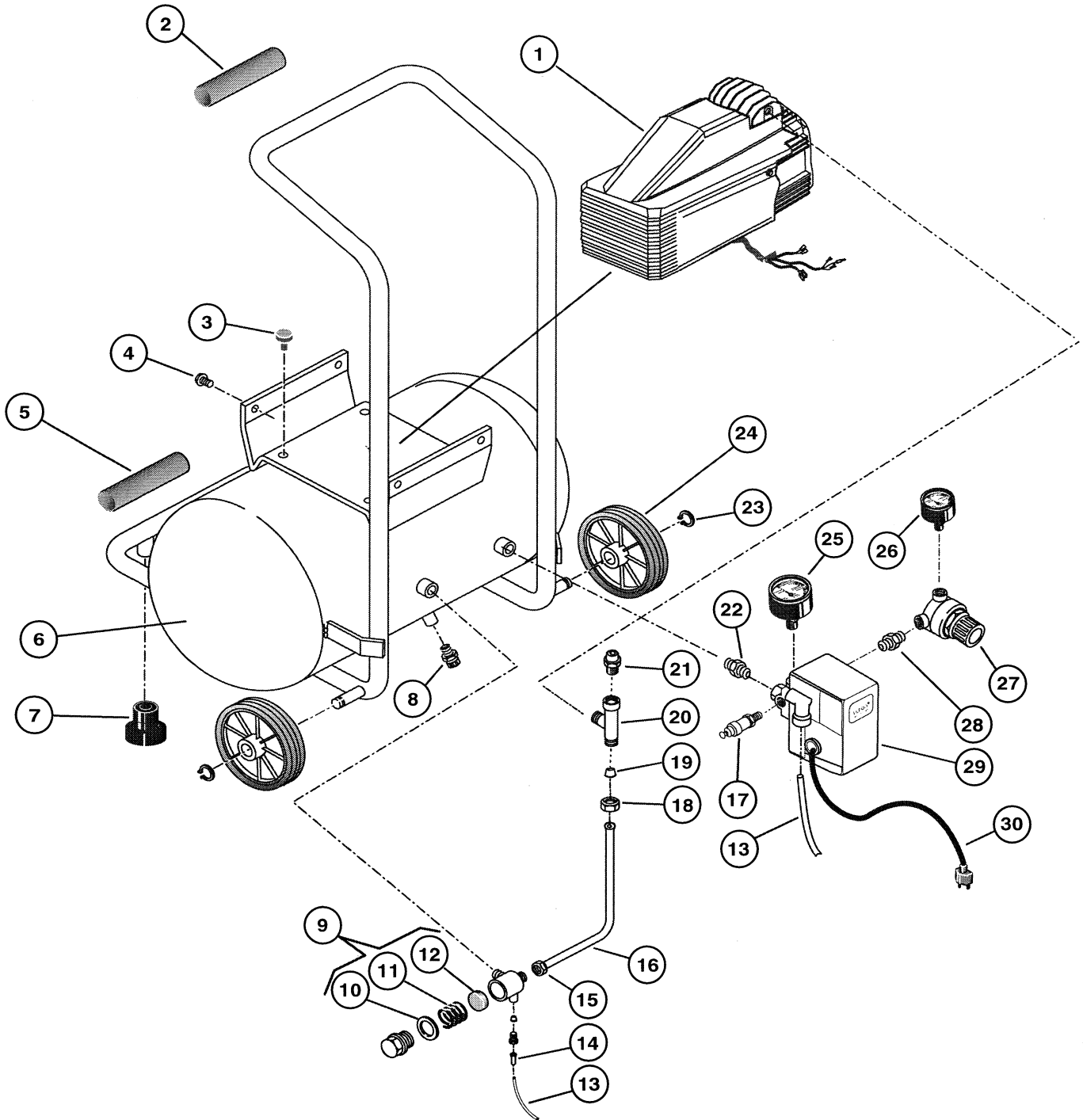
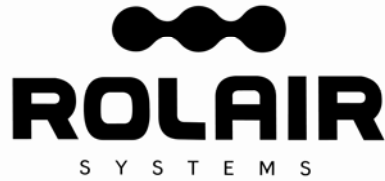


# ROLAIR

SCHEMATIC FOR MODEL  
FC2002HBP6





**PARTS LIST FOR FC2002HBP6**

Schematic #	Description	Part #	Qty.
1	2 HP Pump/Motor	PMP11MK246FC	1
2	Handle Grip	FC116022015	1
3	Vibration Dampener	FC199575000	4
4	Screw	FC014013042	4
5	Handle Grip	FC116022015	1
6	Tank Assembly	FC166Z51000	1
7	Rubber Foot	FC020118000	2
8	Drain Valve	FC022021000	1
9	Check Valve	FC347043000	1
10	Ring	FC010024000	1
11	Spring	047113002F	1
12	Disc	047113001F	1
13	Nylon Tubing	FC046001000	1
	Ring	011077000F	1
14	Brass Sleeve	FC011304000	1
15	Lock Nut	FC199437000	1
16	Discharge Tube	FC102GQ0010	1
17	Safety Valve	FC047027000	1
18	Nut	FC011117002	1
19	Ring	FC011117000	1
20	Discharge Tee	FC199617000	1
21	Bleeder Valve	FC011158000	1
22	Nipple	011080000F	1
23	Retaining Ring	FC015024000	2
24	Wheel	FC020001000	2
25	Gauge – Tank	FC330052000	1
26	Gauge – Line	FC330006001	1
27	Regulator	FC319108000	1
28	Nipple	FC011017001	1
29	Pressure Switch	FC321054000	1
30	Cord w/Plug	FC164A08400	1

