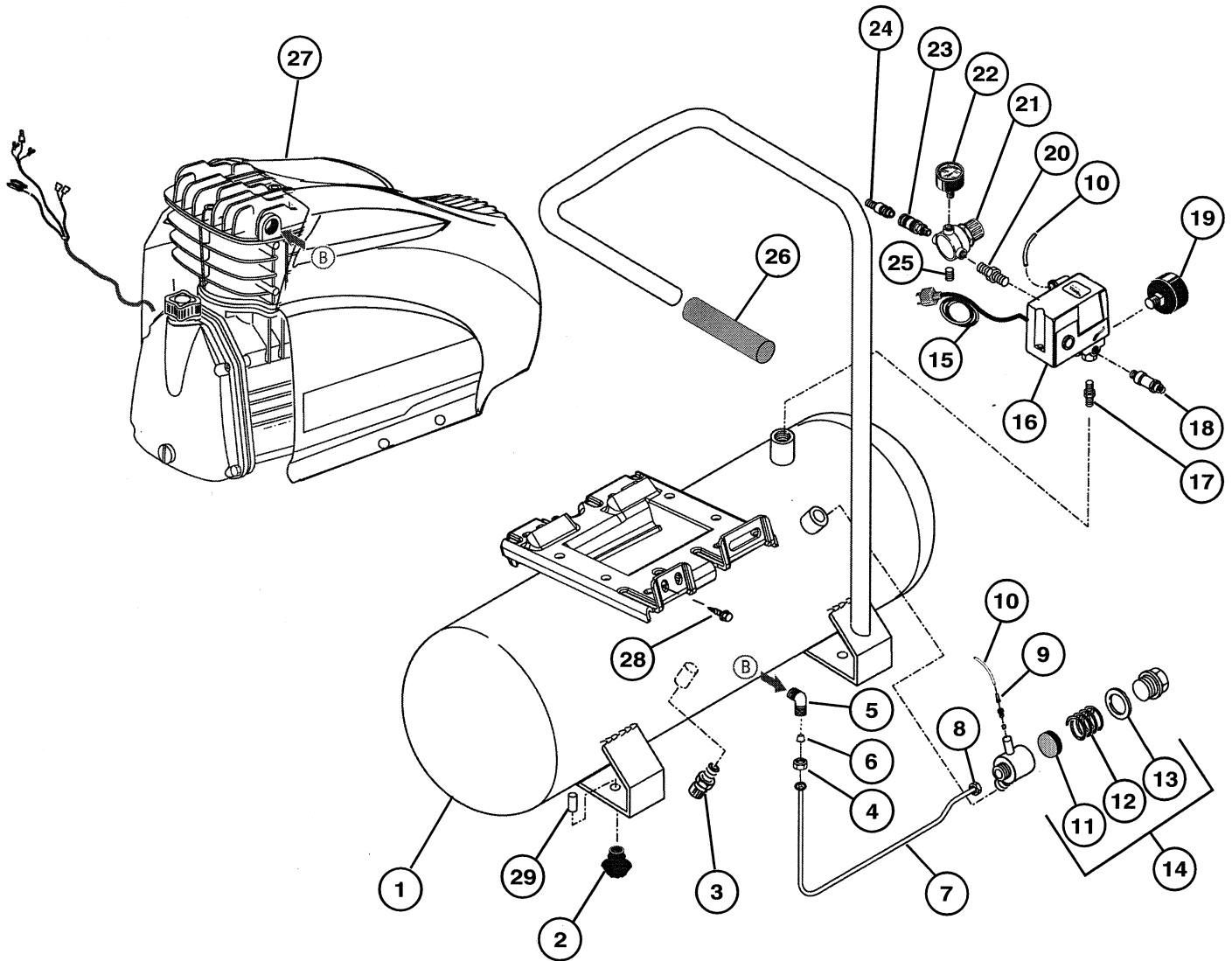
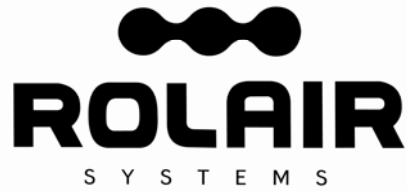


# ROLAIR

## SCHEMATIC FOR MODEL FC1250LS3





### PARTS LIST FOR FC1250LS3

Schematic #	Description	Part #	Qty.
1	Tank Assembly	FC165A15001	1
2	Rubber Foot	FC020310000	4
3	Drain Valve	FC022029000	1
4	Lock Nut	FC011117002	1
5	Elbow	FC011117001	1
6	Ring	FC011117000	1
7	Discharge Tube	FC168HQ0010	1
8	Lock Nut	FC199437000	1
9	Brass Sleeve	FC011304000	1
10	Nylon Tubing	FC046001000	1
11	Disc	FC047113001	1
12	Spring	FC047113002	1
13	O-Ring	FC010024000	1
14	Check Valve	FC347043000	1
15	Cord with Plug	FC164A08300	1
16	Pressure Switch	FC321054000	1
17	Nipple	FC199110140	1
18	Safety Relief Valve	FC047027000	1
19	Gauge – Tank	FC330052000	1
20	Nipple	FC011017001	1
21	Regulator	FC319108000	1
22	Gauge – Line	FC330006001	1
23	Coupler	FC022050003	1
24	Plug	FC011731001	1
25	Pipe Plug	FC011088000	1
26	Handle Grip	FC127HQ0130	1
27	1.5 HP Pump/Motor	PMP11MK137FC	1
28	Screw	FC014013042	4
29	Columnar Pin	FC199000040	4