

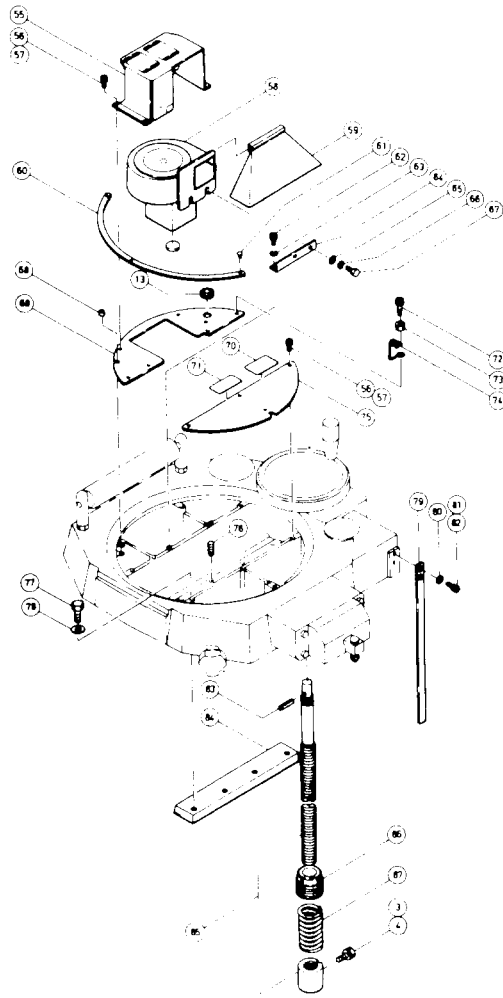
ITEM NO.	PART NO.	NO. USED	DESCRIPTION	SUPPLY Q'TY	ITEM NO.	PART NO.	NO. USED	DESCRIPTION	SUPPLY Q'TY
1	974423	1	Handle		24	974430	2	Holder (B)	
2	967892	1	Caution Label (A)		25	974419	1	Head	
3	949624	5	Bolt M8×20	10	26	975496	1	Clamp Bush	
4	949457	5	Spring Washer M8	10	27	967912	1	Knob (B)	
5	974422	1	Cover		28	974474	1	Caution Label (E)	
6	965334	2	Nut M20		29	974444	1	Gauge Holder (B)	
7	974421	1	Collar (C)		30	949676	1	Bolt M6×20	10
8	950070	2	Ball Bearing 51104		31	949256	4	Machine Screw M6×16	10
9	949216	3	Machine Screw M4×10	10	32	949455	4	Spring Washer M6	10
10	949453	3	Spring Washer M4	10	33	949556	1	Nut M6	10
11	973313	1	Nylon Clip		34	974443	1	Thickness Gauge (includes Item 35)	
12	974478	1	Curl Cord (SINGLE PHASE)		35	939542	1	Retaining Ring M12	10
13	948613	2	Cord Armor		36	974484	1	Washer	
14	949236	2	Machine Screw M5×10	10	37	949496	1	Roll Pin 3×16	10
15	949454	2	Spring Washer M5	10	38	972989	2	Caution Label (B)	
16	966075	1	Head Cover (A)		39 A	974437	2	Set Block till 4 '83	
17	949821	2	Hexagon Socket Head Bolt M5×16	10	39 B	975563	2	Set Block since 5 '83	
18	949454	2	Spring Washer M5	10	40	949656	2	Hexagon Socket Head Bolt M8×20	10
19	974479	1	Stopper		41	949457	2	Spring Washer M8	10
20	974428	2	Conveyor Roller (A)		42	949433	2	Bolt Washer M8	10
21	974429	2	Holder (A)		43	974435	2	Hexagon Socket Flat Head Screw M8×16	
22	949561	4	Nut M12	10	44	974436	2	Toothed Lock Washer	
23	968247	2	Set Screw M6×10						



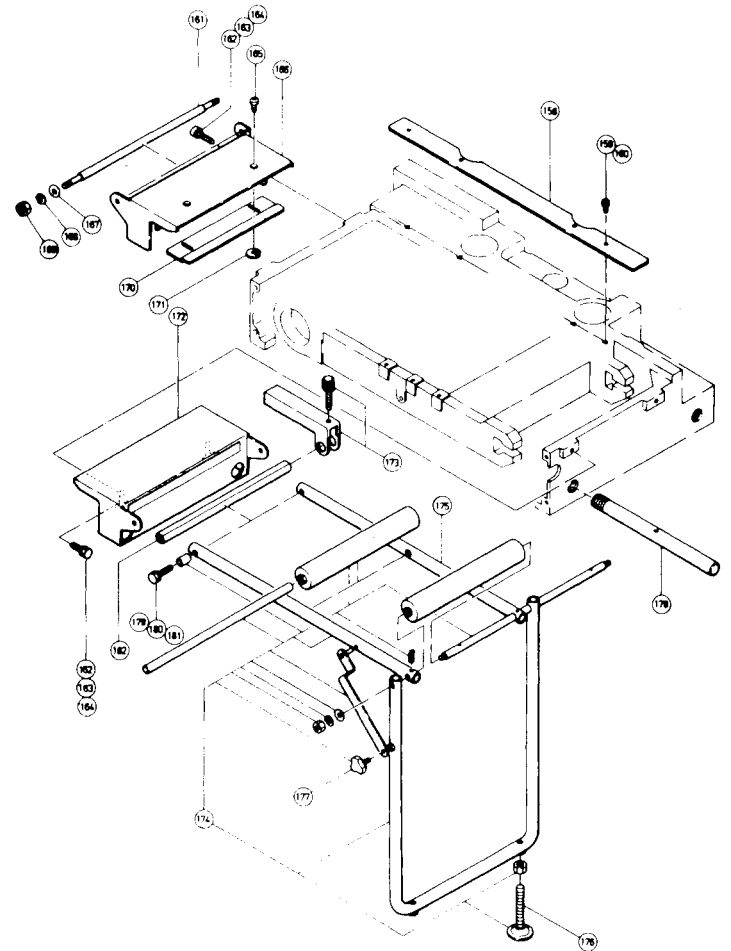
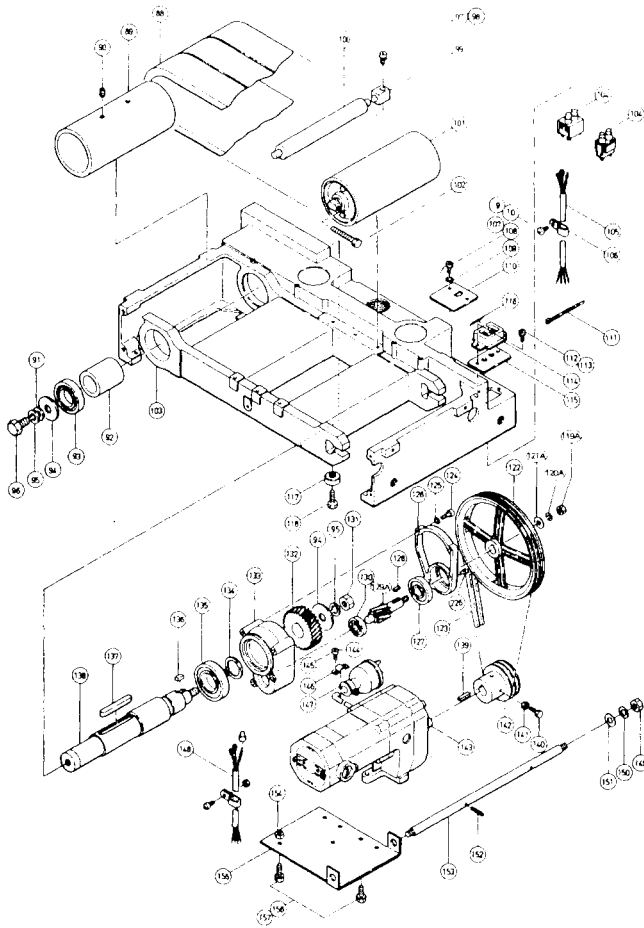
# HITACHI

## FINISHING PLANER

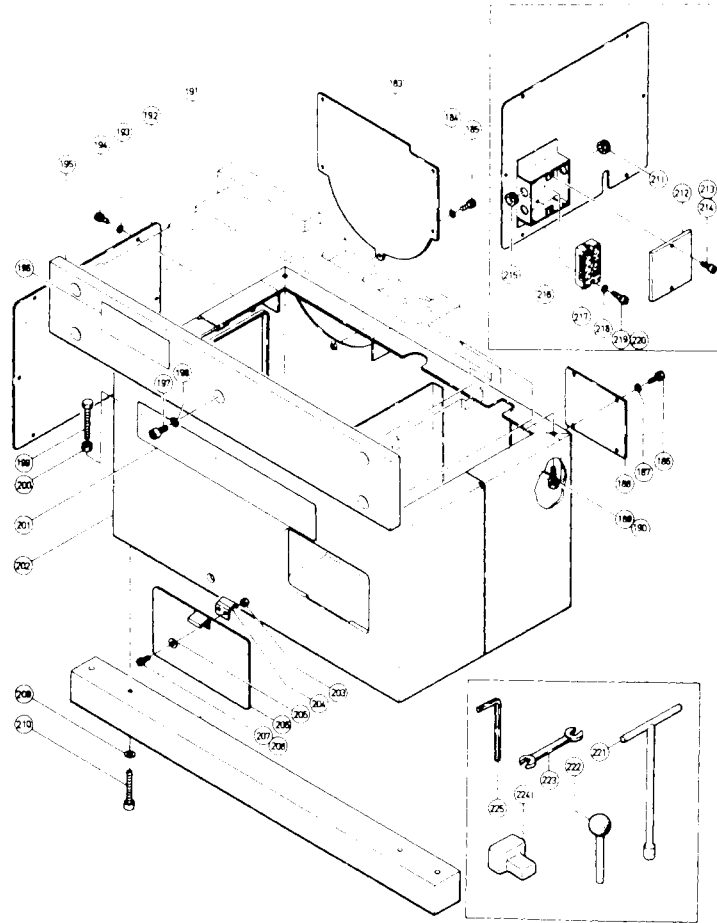
## Model FA-700



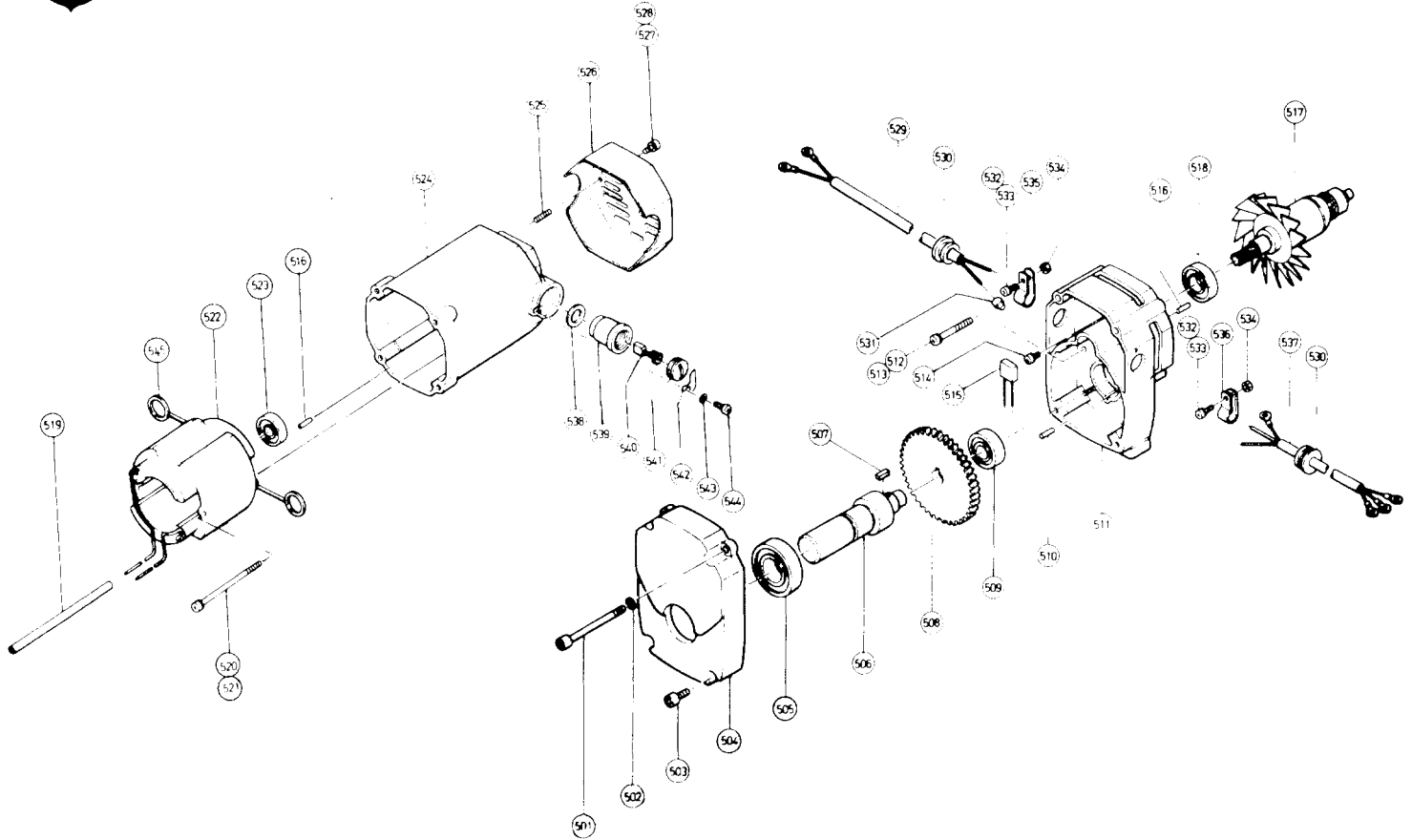
ITEM NO.	PART NO.	NO. USED	DESCRIPTION	SUPPLY Q'TY	ITEM NO.	PART NO.	NO. USED	DESCRIPTION	SUPPLY Q'TY
45	949622	7	Bolt M8×16	10	68	966716	2	Oil Cup	
46	949433	4	Bolt Washer M8	10	69	974439	1	Turn Table Cover	
47	974434	1	Plate		72	949660	2	Hexagon Socket Head Bolt M6×20	10
48	974401	1	Rear Blade		73	949556	2	Nut M6	10
49	996460	1	Front Blade 250mm		74	974480	1	Cord Holder	
50	974432	1	Turn Table		75	974438	1	Turn Table Cover (A)	
51	949660	4	Socket Head Bolt M6×20	10	76	974500	4	Set Screw M8×16	
52	974477	1	Turn Piece (B)		77	949639	4	Bolt M10×25	10
53	968771	12	Socket Flat Head Screw M6×16		78	949434	4	Bolt Washer M10	10
54	974431	1	Turn Piece (A)		79	974445	1	Scale Shaft	
55	974442	1	Blower Cover		80	949432	2	Bolt Washer M6	10
56	949236	8	Machine Screw M5×10	10	81	949256	2	Machine Screw M6×16	10
57	949454	8	Spring Washer M5	10	82	949455	2	Spring Washer M6	10
59	974441	1	Nozzle		83	949604	1	Roll Pin 5×28	10
60	974485Z	1	Angle Gauge		84	974433	1	Mouthpiece	
61	949510	3	Rivet 2.5×4.8	10	85	974420	1	Feed Screw	
62	949755	2	Hexagon Socket Head Bolt M6×16	10	86	968729	1	Adjust Nut	
63	949455	2	Spring Washer M6	10	87	968727	1	Cushion Spring	
64	974440	1	Blower attachment		88	948356	1	Conveyor Belt	
65	949432	2	Bolt Washer M6	10	89	973226	1	Roller (A)	
66	949455	2	Spring Washer M6	10	90	950141	4	Set Screw M10×10	
67	949613	2	Bolt M6×16	10					



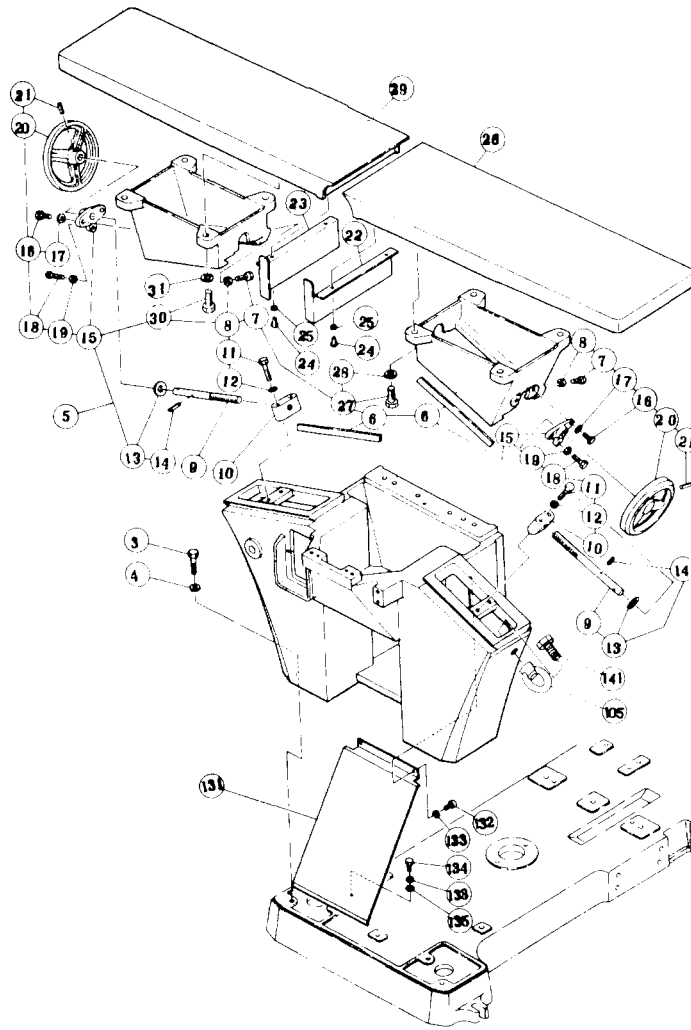
ITEM NO.	PART NO.	NO. USED	DESCRIPTION	SUPPLY Q'TY	ITEM NO.	PART NO.	NO. USED	DESCRIPTION	SUPPLY Q'TY
92	974409	1	Sleeve (A)		113	949454	2	Spring Washer M5	10
93	6008ZZ	1	Ball Bearing 6008ZZCMPS2S		114	973715	1	Switch Protect (A)	
94	967869	2	Washer		115	965123	1	Plate	
95	949464	2	Spring Washer M16	10	116	965128	1	Switch Plate (A) (THREE PHASE)	
96	967871	1	Bolt M16×30		117	947323	2	Ball Bearing	
97	949256	6	Machine Screw M6×16	10	118	949626	2	Bolt M8×25	10
98	949455	6	Spring Washer M6	10	119	949561	1	Nut M12	10
99	967881	6	Metal		120	949463	1	Spring Washer M12	10
100	974412	3	Pressing Roller		121	974608	1	Special Washer	
101	973326	1	Roller (B)		122	974411	1	Pulley (B)	
102	967104	2	Screw (D)		123	974466	2	Belt (SINGLE PHASE)	
103	974406	1	Frame			974467	2	Belt (THREE PHASE)	
104	974490	1	Switch (SINGLE PHASE)		124	966472	4	Machine Screw M6×80	
	974491	1	Switch (THREE PHASE)		125	949455	4	Spring Washer M6	10
105	974492	1	Cord (THREE PHASE)		126	967875	1	Gear Cover (B)	
106	963300	1	Nylon Clip (THREE PHASE)		127	6304VV	1	Ball Bearing 6304VVCMAV2S	
107	949254	2	Machine Screw M6×10	10	128	945072	1	Feather Key 5×5×15	
108	949455	2	Spring Washer M6	10	129	974504	1	Pinion Shaft Assembly (includes Item 119-121)	
109	949432	2	Bolt Washer M6	10	130	6203VV	1	Ball Bearing 6203VVCMP2S	
110	974446	1	Scale Plate		131	974408	1	Left Hand Nut M16	
111	973419	2	Insulated Lock		132	967866	1	Gear	
112	949236	2	Machine Screw M5×10	10	133	967873	1	Gear Cover (A)	



ITEM NO.	PART NO.	NO. USED	DESCRIPTION	SUPPLY Q'TY	ITEM NO.	PART NO.	NO. USED	DESCRIPTION	SUPPLY Q'TY
134	948453	1	Retaining Ring M40		155	974405	1	Motor Base	
135	6208VV	1	Ball Bearing 608VVCMAV2S		156	949624	3	Bolt M8×20	10
136	948309	1	Feather Key 7×7×20		157	949457	3	Spring Washer M8	10
137	948308	1	Feather Key 12×8×90		158	949426	4	Washer (THREE PHASE) M8	10
138	974407	1	Roller Shaft		159	974414	1	Metal Cover	
139 A	948568	1	Feather Key 7×7×45 (SINGLE PHASE) till 1'84		160	949254	4	Machine Screw M6×10	10
139 B	975559	1	Feather Key 8×7×38 (SINGLE PHASE) since 2'84		161	949455	4	Spring Washer M6	10
140	949652	2	Hexagon Socket Head Bolt M6×25	10	162	974450	1	Shaft (D)	
141	949556	2	Nut M6	10	163	949626	4	Bolt M8×25	10
142	974468	1	Pulley (A) (SINGLE PHASE)		164	949457	4	Spring Washer	10
	974469	1	Pulley (B) (SINGLE PHASE)		164	949426	4	Washer M8	10
144	949216	2	Machine Screw	10	165	949236	2	Machine Screw M5×10	10
145	949453	2	Spring Washer	10	166	974447	1	Table (B)	
146	934028	1	Cord Clip		167	949433	2	Bolt Washer M8	10
147	500202Z	1	Cord (A) (SINGLE PHASE)		168	949457	2	Spring Washer M8	10
148	947103	1	Cord (THREE PHASE)		169	949558	2	Nut M8	10
149	949561	2	Nut M12	10	170	974448	1	Sub-table	
150	949463	2	Spring Washer M12	10	171	973237	2	Table Holder	
151	949437	2	Bolt Washer M12	10	172	974465	1	Table (A)	
152	949604	2	Spring Pin 5×28	10	173	974451	2	Guide	
153	974404	1	Bar M16		174	974453	2	Auxiliary Roller Assembly (includes item 175-177.229)	
154	949558	4	Nut M8 (THREE PHASE)	10					



ITEM NO.	PART NO.	NO. USED	DESCRIPTION	SUPPLY Q'TY	ITEM NO.	PART NO.	NO. USED	DESCRIPTION	SUPPLY Q'TY
175	974454	4	Roller Holder (A)		210	949806	4	Bolt M8×60	10
176	974459	4	Step		211	932553	1	Cord Armor (SINGLE PHASE)	
177	974462	2	Knob (A)		212	967336	1	Terminal Cover (SINGLE PHASE)	
178	975555	2	Handle Pipe		213	949216	2	Machine Screw M4×16 (SINGLE PHASE)	10
179	949630	4	Bolt M8×40	10	214	949453	2	Spring Washer (SINGLE PHASE) M4	10
180	949457	2	Spring Washer M8	10	215	948613	2	Cord Armor (SINGLE PHASE)	
181	949433	2	Bolt Washer M8	10	216	974482	1	Pedestal Cover (A) (SINGLE PHASE)	
182	974449	1	Guide Shaft		217	966585	1	Terminal Stand (SINGLE PHASE)	
183	974415	1	Pulley Cover (A)		218	949429	2	Bolt Washer (SINGLE PHASE) M4	10
184	949455	5	Spring Washer M6	10	219	949219	2	Machine Screw M4×16 (SINGLE PHASE)	10
185	949254	5	Machine Screw M6×10	10	220	949453	2	Spring Washer (SINGLE PHASE) M4	10
186	949236	4	Machine Screw M5×10	10	221	966821	1	Box Spanner	
187	949454	4	Spring Washer M5	10	222	972991	1	Handle	
188	974416	1	Cover (C)		223	972043	1	Wrench 10×13	
189	949624	4	Bolt M8×20	10	224	974452	2	Setting Gauge (B)	
190	949457	4	Spring Washer M8	10	225	944458	1	Hexagon Bar Wrench M4	
191	972999	1	Caution Plate (A)		226	943579	2	Machine Screw M6×75	
192	974403	1	Pedestal Cover (THREE PHASE)		227	949432	4	Washer M6	10
193	949454	6	Spring Washer M5	10	229	974488	4	Collor (B)	
194	949236	6	Machine Screw M5×10	10	230	974494	1	Vinyl Cover	
195	974413	1	Front Cover		231	974495	1	Curl Cord (THREE-PHASE)	
197	949656	5	Hexagon Socket Head Bolt M8×20	10	232	975556	4	Grip (A)	
198	949457	5	Spring Washer M8	10	233	974496	1	Insulation Paper	
199	967132	1	Adjust Screw		234	974498	1	Wave Washer	
200	949558	1	Nut M8	10	235	974499	2	Link	
201	974463	1	HITACHI Label		236	973274	2	Adjusting Screw till 4 / 83	
202	974402	1	Pedestal		236 A	975562	2	Adjusting Screw since 5 / 83	
206	974487	1	Tool Box Cover		237	974503	3	Washer	
209	968666	4	Bolt Washer W3 / 8						



ITEM NO.	PART NO.	NO. USED	DESCRIPTION	SUPPLY Q'TY	ITEM NO.	PART NO.	NO. USED	DESCRIPTION	SUPPLY Q'TY
501	949835	2	Hexagon Socket Head Bolt M6×85	10	524	951240	1	Housing Assembly (includes item 525,539)	
502	949455	4	Spring Washer M6	10	525	952384	2	Set Screw M5×10	
503	949652	2	Hexagon Socket Head Bolt M6×25	10	526	951244	1	Tail Cover	
504	974723	1	Cover		527	949236	2	Machine Screw M5×10	10
505	6205VV	1	Ball Bearing 6205VVCMP2S		528	949454	2	Spring Washer M5	10
506 A	948608	1	Spindle till 1 '84		529	974725	1	Cord (A)	
506 B	974729	1	Spindle since 2 '84		530	973420	2	Cord Armor (B)	
507	930511	1	Feather Key 4×4×10		531	959141	2	Connector 50092	10
508	974722	1	Gear		532	949216	2	Machine Screw M4×10	10
509	6202VV	1	Ball Bearing 6202VVCMP2S		533	949453	2	Spring Washer M4	10
510	946362	2	Bearing Lock		534	949554	2	Nut M4	10
511	974721	1	Gear Cover		535	948614	1	Nylon Clip	
512	949264	2	Machine Screw M6×40	10	536	967579	1	Nylon Clip	
513	949455	2	Spring Washer M6	10	537	974728	1	Cord (B)	
514	949292	1	Machine Screw M4×6	10	538	956683	2	Stop Plate	
515	930030	1	Condenser		539	978441	2	Brush Holder (old 957001)	
516	946362	2	Bearing Lock		540	999044	2	Carbon Brush	2
517	974727C	1	Armature		541	978445	2	Brush Cap (old 940540)	
518	6202VV	1	Ball Bearing 6202VVCMP2S		542	968919	2	Spring	
520	966130	2	Machine Screw M5×80		543	949431	2	Bolt Washer M5	10
521	949454	2	Spring Washer M5	10	544	949236	2	Machine Screw M5×10	10
522	968914C	1	Stator		545	998744	2	Brush Terminal (old 957004)	
523	6200VV	1	Ball Bearing 6200VVCMP2S						