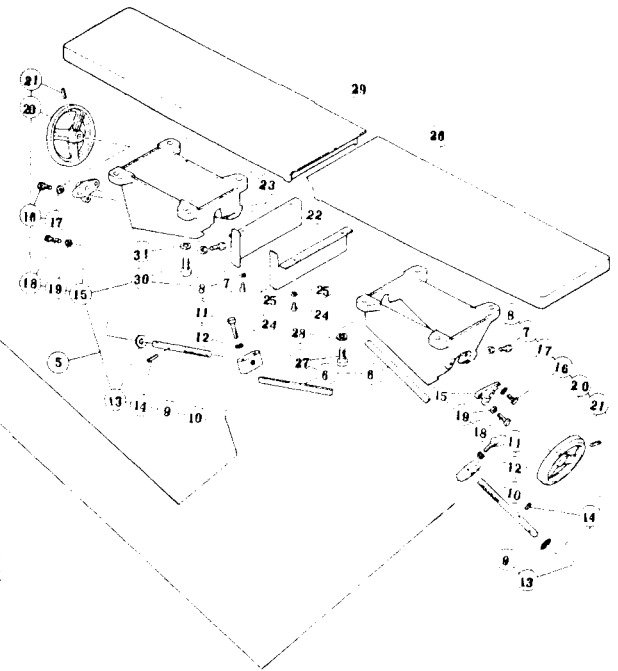
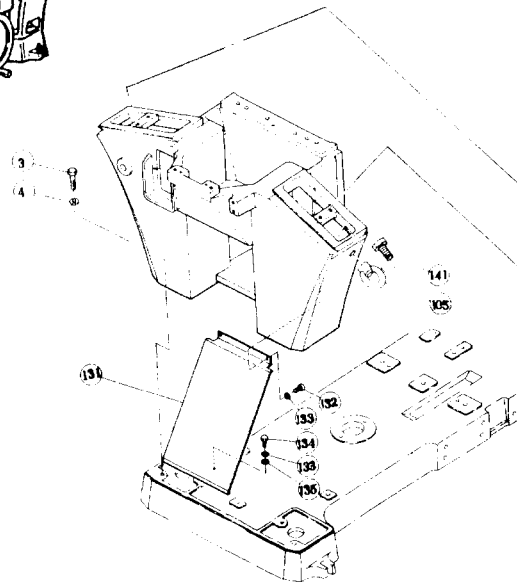
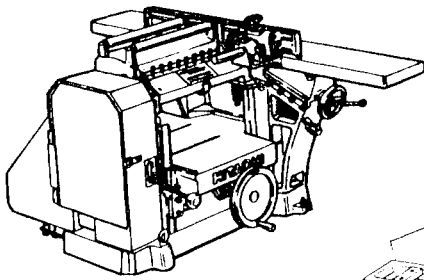




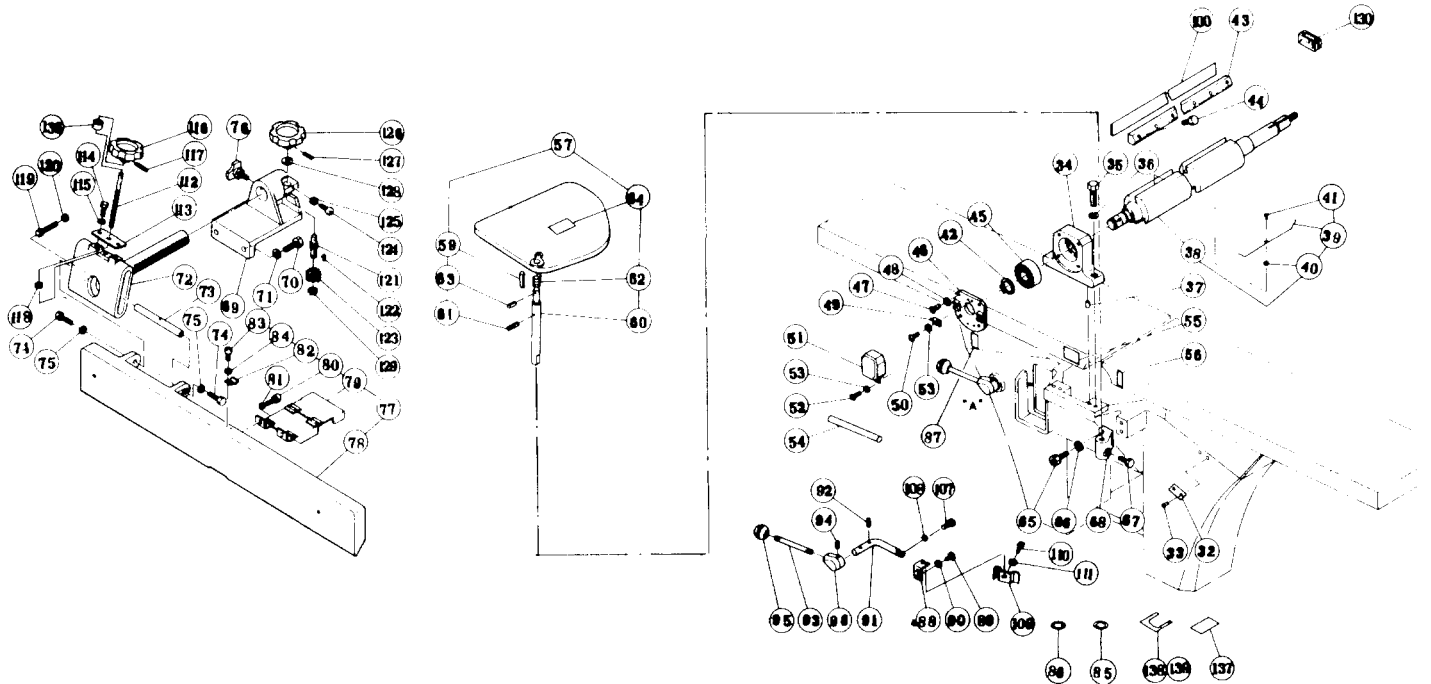
HITACHI

PLANER JOINER

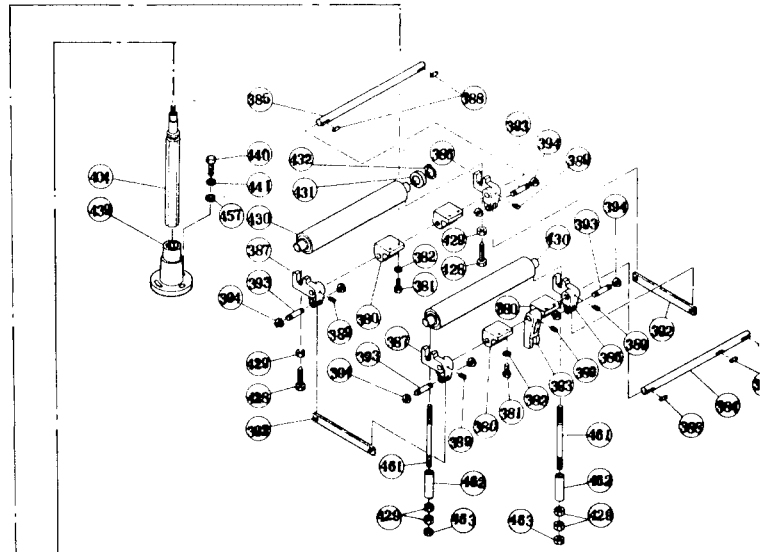
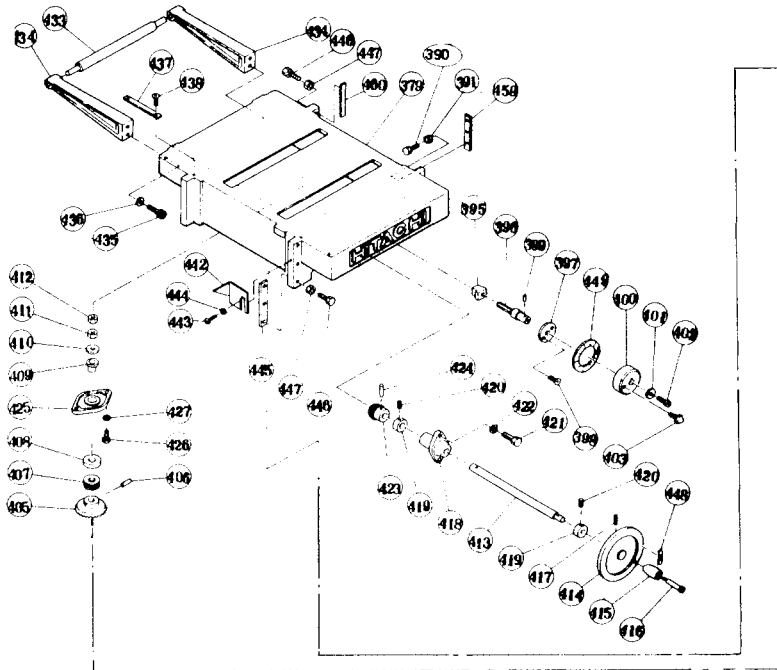
Model F-1500



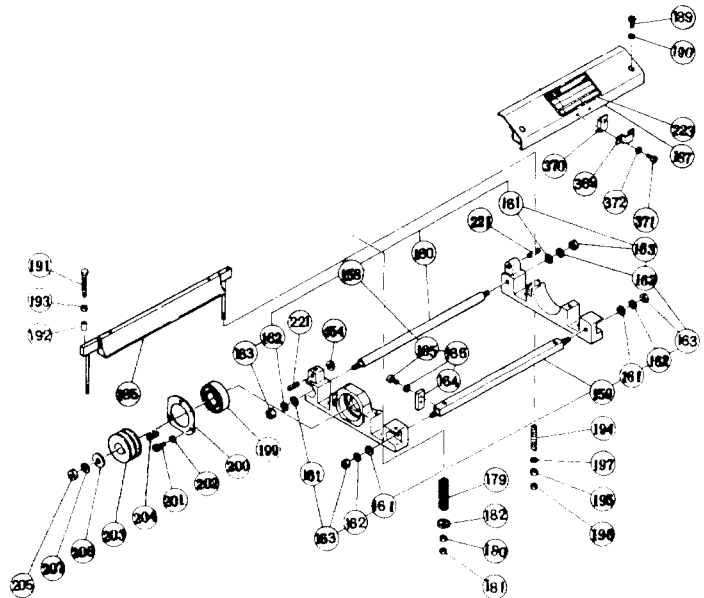
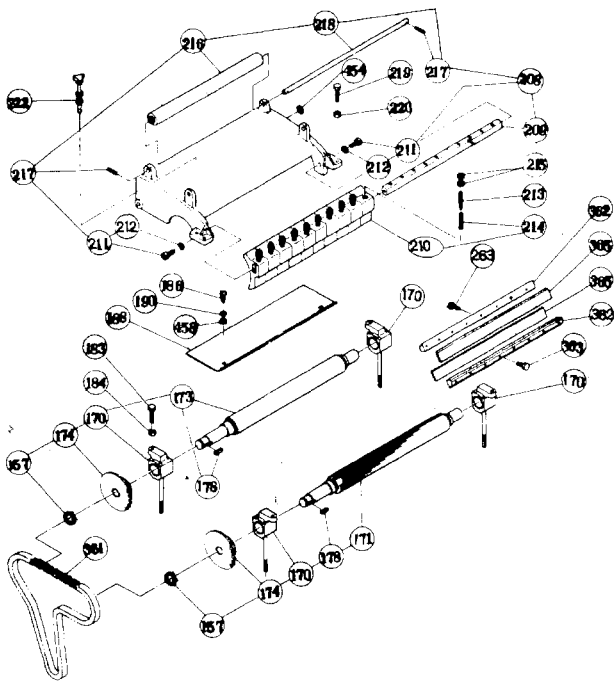
ITEM NO.	PART NO.	NO. USED	DESCRIPTION	SUPPLY Q'TY	ITEM NO.	PART NO.	NO. USED	DESCRIPTION	SUPPLY Q'TY
1	—		Manual Planer		36	949463	2	Spring Washer M12	10
3	949809	6	Bolt M12×40	10	37	949893	2	Pin 8×16	10
4	949463	6	Spring Washer M12	10	38	972250	1	Plane Body	
5	973100	1	Manual Base		39	972251	4	Blade Spring	
6	972242	2	Liner (A)		40	972252	4	Spring Lock	
7	949678	8	Bolt M8×35	10	41	949511	4	Rivet 2.5×6.4	10
8	949558	8	Nut M8	10	42	948310	1	Retaining Ring D30	
9	973101	2	Feed Screw (A)		43	972441	2	Rear Arm (B)	
10	972244	2	Screw Holder (A)		44	973167	10	High Tension Bolt M8×16	
11	949679	4	Bolt M10×50	10	45	6306VV	1	Ball Bearing 6306VVCMP2S	
12	949458	4	Spring Washer M10	10	46	972254	1	Bearing Cover (B)	
13	955817	2	Washer M16		47	949258	4	Machine Screw M6×20	10
14	949505	2	Spring pin 6×28	10	48	949455	4	Spring Washer M6	10
15	972245	2	Screw Boss		49	967041	1	Stop Piece	
16	949698	4	Bolt M10×35	10	50	949214	2	Machine Screw M4×6	10
17	949458	4	Spring Washer M10	10	51	967042	1	Nut Cover	
18	949630	2	Bolt M8×40	10	52	949214	2	Machine Screw M4×6	10
19	949558*	2	Nut M8	10	53	949453	4	Spring Washer M4	10
20	973102	2	Handle M160		54	973103	1	Stopper Pin	
21	949604	2	Spring Pin 5×28	10	55	—	1	Caution Plate	
22 A	972246	1	Safety Plate (A) till 5 / 84		56	—	1	Caution Label (D)	
22 B	973172	1	Safety Plate (A) since 6 / 84		57	972257	1	Safety Cover	
23 A	972247	1	Safety Plate (B) till 5 / 84		58	972419	1	Label (B)	
23 B	973171	1	Safety Plate (B) since 6 / 84		59	967051	1	Spring Pin 8×56	
24	949255	4	Machine Screw M6×12	10	60	—		Cover Shaft	
25	949455	4	Spring Washer M6	10	61	949874	1	Spring Pin 6×36	10
26	—	1	Front Base		62	972259	1	Cover Spring	
27	949809	4	Bolt M12×40	10	63	949604	1	Spring Pin 5×28	10
28	949463	4	Spring Washer M12	10	64	—	1	Caution Plate (K)	
29	—	1	Rear Base		65	949846	2	Set Screw M10×30	10
30	949809	4	Bolt 12×40	10	66	949458	2	Spring Washer M10	10
31	949463	4	Spring Washer M12	10	67	949638	1	Bolt M10×20	10
32	967019	1	Scale (A)		68	972260	1	Holder	
33	949510	2	Rivet 2.5×4.8	10	69	973104	1	Guide Holder	
34	967033	1	Bearing Case (B)		70	949672	2	Bolt M12×35	10
35	949809	2	Bolt M12×40	10					



ITEM NO.	PART NO.	NO. USED	DESCRIPTION	SUPPLY Q'TY	ITEM NO.	PART NO.	NO. USED	DESCRIPTION	SUPPLY Q'TY
71	949463	2	Spring Washer M12	10	109	965378	1	Cord Clip	
72	973105	1	Guide Shaft		110	949255	1	Machine Screw M6×12	10
73	973106	1	Shaft (A)		111	949455	1	Spring Washer M6	10
74	973107	2	High Tension Bolt M10×35		112	973112	1	Bolt M10	
75	949458	2	Spring Washer M10	10	113	973113	1	Holder (B)	
76	973163	1	Kbob (A)		114	949622	2	Bolt M8×16	10
77	973108	1	Guide		115	949457	2	Spring Washer M8	10
78	973109	1	Guide		116	973114	1	Knob	
79	972421	1	Safety Cover (B)		117	949506	2	Spring Pin 4×28	10
80	949255	2	Machine Screw M6×12	10	118	949434	1	Bolt Washer M10	10
81	949455	2	Spring Washer M6	10	119	973115	1	Bolt M6×80	
82	972422	1	Stop Piece (A)		120	949556	1	Nut M6	10
83	949215	2	Machine Screw M4×8	10	121	973116	1	Pinion Shaft	
84	949453	2	Spring Washer M4	10	122	931008	1	Feather Key	
85	966511	8	Liner (A)		123	932112	1	Pinion	
86	966512	4	Liner (A)		124	949239	1	Machine Screw M5×16	10
87	—	1	Brake Mark		125	949555	1	Nut M5	10
88	972423	1	Brake Plate (C)		126	973162	1	Knob since 6 / 83	
89	949255	2	Machine Screw M6×12	10	127	949681	1	Spring Pin 5×25	10
90	949455	2	Spring Washer M6	10	128	949437	1	Bolt Washer M12	10
91	972266	1	Brake Handle Shaft (B)		129	939544	1	Retaining Ring D15	10
92	949604	1	Spring Pin 5×28	10	130	973474	2	Setting Gauge	
93	972267	1	Brake Handle Shaft (A)		131	973117	1	Shoot (A)	
94	949604	1	Spring Pin 5×28	10	132	949254	2	Machine Screw M6×10	10
95	932344	1	Grip (A)		133	949455	3	Spring Washer M6	10
96	972268	1	Brake Handle Boss		134	949611	1	Bolt M6×12	10
97	949435	8	Bolt Washer W1 / 2	10	135	949432	1	Bolt Washer M6	10
98	949460	4	Spring Washer M1 / 2	10	136	973144	1	Collar	
99	949452	4	Nut W1 / 2	10	137	973147	8	Liner (C)	
100	972269	2	Blade (B)	2	138	973148	8	Liner (A)	
101	—	1	Base		139	973149	4	Liner (A)	
102	—	1	Wood Base		140	967438	4	Bolt Washer M20	
103	973110	2	Bolt W1 / 2×150		141	972432	2	Bolt M20×40 till 5 / 84	
104	973472	2	Bolt W1 / 2×210		142	972507	1	Eye Bolt M16 till 5 / 84	
105	967436	2	Eye Nut M20 till 5 / 82		144	975081	1	Washer	
106	967437	4	Bolt M20×120		145	972265	1	Guide Holder since 12 / 83	
107	949237	1	Machine Screw	10	146	968539	1	Knob (A) since 12 / 83	
108	949454	1	Spring Washer M5	10					



ITEM NO.	PART NO.	NO. USED	DESCRIPTION	SUPPLY Q'TY	ITEM NO.	PART NO.	NO. USED	DESCRIPTION	SUPPLY Q'TY
147	975149	2	Hook		190	949455	4	Spring Washer M6	10
148	949846	4	Hex. Socket Head Bolt M10×30	10	191	967132	2	Adjust Screw	
149	949458	4	Spring Washer M10	10	192	967133	2	Sleeve	
150	—		Automatic Planer		193	949568	2	Lock Nut M8	10
151	973473	1	Automatic Frame		194	967134	2	Pressure Spring	
152	949809	3	Bolt M12×40	10	195	949558	2	Nut M8	10
153	949463	3	Spring Washer M12	10	196	949568	2	Lock Nut M8	10
154	949893	2	Pin 8×16	10	197	967135	2	Washer (Q)	
157	962553	2	Retaining Ring D28		198	973475	2	Setting Gauge	
158	973119	1	Roller Base		199	6308VV	1	Ball Bearing 6308VVCMAV2S	
159	972297	1	Distance Bar (A)		200	973121	1	Bearing Cover (C)	
160	972298	1	Distance Bar (B)		201	949255	3	Machine Screw M6×12	10
161	949437	4	Bolt Washer M12	10	202	949455	3	Spring Washer M6	10
162	949463	4	Spring Washer M12	10	203	972310	1	Pulley (B)	
163	949561	4	Nut M12	10	204	967187	1	Feather Key 7×7×40	
164	972299	1	Stop Piece		205	949584	1	Nut M16	10
165	949256	2	Machine Screw M6×12	10	206	967143	1	Washer (R)	
166	949455	2	Spring Washer M6	10	207	949464	1	Spring Washer M16	10
167	949695	5	Bolt M10×35	10	208	973122	1	Chip Cover	
168	949458	5	Spring Washer M10	10	209	972312	1	Chip Breaker shaft	
169	949893	2	Pin 8×16	10	210	973165	10	Chip Breaker	
170	972300	4	Metal Holder		211	949760	2	Set Screw M8×25	10
171	972235	1	Feed Roller		212	949457	2	Spring Washer M8	10
173	972236	1	Feed Roller (B)		213	973138	10	Bolt M8×60	
174	967391	2	Sprocket		214	967150	10	Spring (C)	
178	948081	2	Feather Key 7×7×25		215	949568	20	Lock Nut M8	10
179	967127	4	Metal Spring		216	973123	2	Conveyor Roller	
180	949560	4	Nut M10	10	217	949753	4	Spring Pin 5×20	10
181	949572	4	Lock Nut M10	10	218	973133	2	Roller Shaft	
182	972303	4	Spring Base		219	972304	2	Screw (M)	
183	972304	4	Screw (M)		220	949558	2	Nut M8	10
184	949558	4	Nut M8	10	221	972410	2	Spring Pin 12×40	
185	972305	1	Pressure Bar		222	972316	2	Pressure Screw (C)	
186	949255	2	Machine Screw M6×12	10	223	—	1	Name Plate	
187	972306	1	Roller Cover (A)		224	972318	1	Scale (B)	
188	972307	1	Roller Cover (B)						
189	949260	2	Machine Screw M6×25	10					



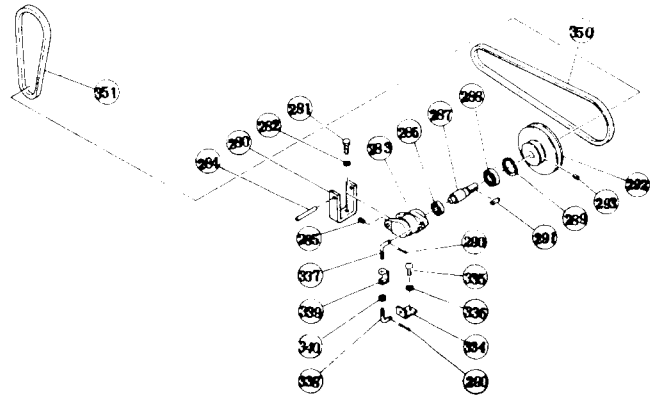
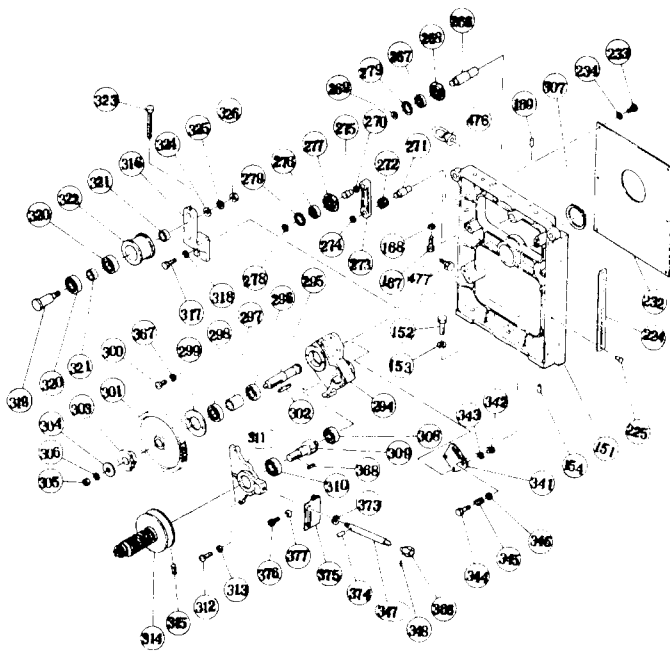
ITEM NO.	PART NO.	NO. USED	DESCRIPTION	SUPPLY Q'TY	ITEM NO.	PART NO.	NO. USED	DESCRIPTION	SUPPLY Q'TY
225	949510	2	Rivet 2.5×4.8	10	271	972404	1	Arm Holder Pin	
232	972320	1	Frame Cover		272	967258	1	Spring	
233	949237	6	Machine Screw M5×12	10	273	972328	1	Tension Arm	
234	949454	6	Spring Washer M5	10	274	939544	1	Retaining Ring D15	10
235	972321	1	Motor Base		275	972329	1	Roller Holder Pin	
236	949809	2	Bolt M12×40	10	276	6003VV	1	Ball Bearing 6003VVCMP2S	
237	949463	2	Spring Washer M12	10	277	967262	1	Chain Tension Roller	
238	—	1	Motor 3-phase		278	967261	1	Retaining Ring D17	
239	972322	1	Motor Plate		279	939556	2	Retaining Ring D35 hole	10
240	949643	4	Bolt M10×40	10	280	972330	1	Casing Hinge	
241	967240	4	Washer (I)		281	949698	2	Bolt M10×30	10
242	949458	4	Spring Washer M10	10	282	949458	2	Spring Washer M10	10
243	949560	4	Nut M10	10	283	972331	1	Casing (B)	
244 A	972323	1	Pulley (A) till 2 / 84		284	972332	1	Pin	
244 B	972442	1	Pulley (A) since 3 / 84		285	967079	1	Set Screw M10×8	
245	972411	1	Bolt M10×130		286	6203VV	1	Ball Bearing 6203VVCMP2S	
246	949434	1	Bolt Washer M10	10	287	972333	1	Spindle (B)	
249	966458	1	Set Screw M8×8		288	6205VV	1	Ball Bearing 6205VVCMP2S	
252	968637	1	Washer M14		289	967270	1	Retaining Ring D52 hole	
253	968633	1	Brake Holder		290	949537	2	Split Pin 3×15	10
254	968634	1	Brake Liner		291	948059	1	Feather Key	
255	949542	2	Wood Screw 4.1×20	10	292	972334	1	Idle Pulley	
256	949515	3	Spring Pin 6×30	10	293	967079	1	Set Screw M6×8	
257	972415	1	Brake Plate (A)		294	972335	1	Gear Case	
258	949620	2	Bolt M8×16	10	295	972336	1	Gear Shaft	
259	949457	2	Spring Washer M8	10	296	6005VV	1	Ball Bearing 6005VVCMAV2S	
260	965779	1	Brake Spring		297	972337	1	Distance Sleeve	
261	949558	1	Nut M8	10	298	6205VV	1	Ball Bearing 6205VVCMP2S	
262	949628	1	Bolt M8×30	10	299	968577	1	Bearing Cover (A)	
264	949758	2	Bolt M12×30	10	300	949237	2	Machine Screw M5×12	10
265	949463	2	Spring Washer M12	10	301	972338	1	Gear	
266	972327	1	Tension Holder Pin		302	948568	1	Feather Key 7×7×45	
267	6003VV	1	Ball Bearing 6003VVCMP2S		303	972339	1	Sprocket (B)	
268	967262	1	Chain Tension Roller		304	966431	1	Washer (A)	
269	967261	1	Retaining Ring D17		305	949560	1	Nut M10	10
270	968637	1	Washer M14						



HITACHI

PLANER JOINTER

Model F-1500



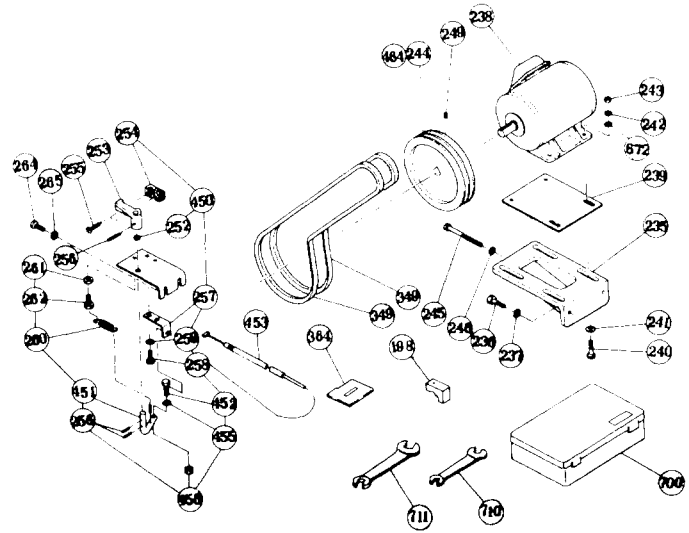
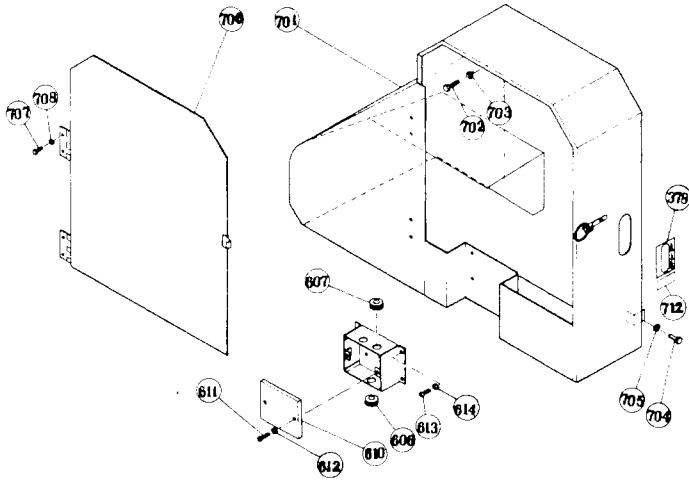
ITEM NO.	PART NO.	NO. USED	DESCRIPTION	SUPPLY QTY	ITEM NO.	PART NO.	NO. USED	DESCRIPTION	SUPPLY QTY
306	949458	1	Spring Washer M10	10	348	949548	1	Spring Pin 4×25	10
307	972413	1	Retaining Ring D62		349	972439	2	V Belt (B66)	
308	6203VV	1	Ball Bearing 6203VVCMP2S		350	972355	1	V Belt (B48)	
309	972340	1	Pinion		351	972356	1	V Belt (B25)	
310	6205VV	1	Ball Bearing 6205VVCMP2S		361	972361	1	Roller Chain	
311	973160	1	Gear Cover		362	972440	1	Rear Iron (A)	2
312	949260	3	Machine Screw M6×25	10	363	934368	16	High Tension Bolt M8×16	
313	949455	3	Spring Washer M6	10	364	973476	1	Roller Adjusting Scale	
314	972249	1	Stepless Variable Speed Pulley		365	972363	2	Blade (A)	2
315	968247	2	Set Screw M6×10		366	973477	1	Lever Knob	
316	972438	1	Tension Holder		367	949454	2	Spring Washer M5	10
317	949628	2	Bolt M8×30	10	368	932447	1	Key	
318	949457	2	Spring Washer M8	10	369	972367	1	Gauge Holder	
319	972344	1	Tension Shaft (A)		370	972368	1	Gauge Plate	
320	6205VV	2	Ball Bearing 6205VVCMP2S		371	949236	2	Machine Screw M5×10	10
321	967269	1	Collar (N)		372	949454	2	Spring Washer M5	10
322	972345	1	Belt Tension Roller		373	972416	1	Piece	
323	968619	1	Tensioner Bolt		374	949873	1	Spring Pin 6×20	10
324	949437	1	Bolt Washer M12	10	375	972369	1	Shaft Stopper	
325	949463	1	Spring Washer M12	10	376	949831	2	Set Screw M6×15	10
326	949561	1	Nut M12	10	377	949455	2	Spring Washer M6	10
334	972348	1	Stopper Plate		378	973478	1	Speed Label (A)	
335	949255	2	Machine Screw M6×12	10	379	973126	1	Automatic Table	
336	949455	2	Spring Washer M6	10	380	973127	4	Rod Holder	
337	972349	1	Tension Shaft (B)		381	949695	8	Bolt M10×35	10
338	972350	1	Tension Shaft (C)		382	949458	8	Spring Washer M10	10
339	972351	1	Turnbuckle		383	972429	1	Connecting Arm	
340	949558	1	Nut M8	10	384	973128	1	Connecting Rod (A)	
341	972352	1	Arm Plate		385	972428	1	Connecting Rod	
342	949255	2	Machine Screw M6×12	10	386	972430	2	Link Holder (B)	
343	949455	2	Spring Washer M6	10	387	972431	2	Link Holder (A)	
344	949698	1	Bolt M10×30	10	388	966413	5	Feather Key 5×5×20	
345	948655	1	Metal Spring (A)		389	967469	5	Set Screw M6×6	
346	949434	1	Bolt Washer M10	10	390	973135	6	Special Bolt M8×30	
347	973161	1	Shift Handle						



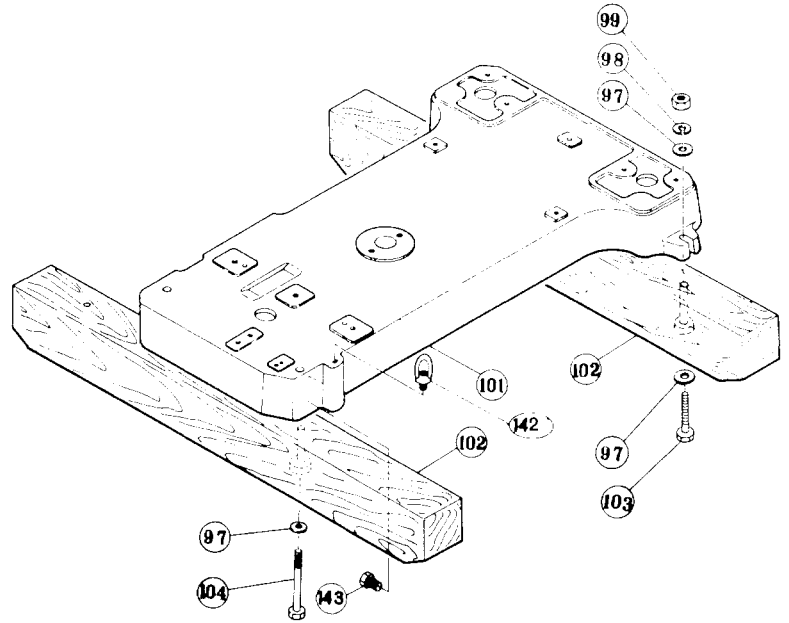
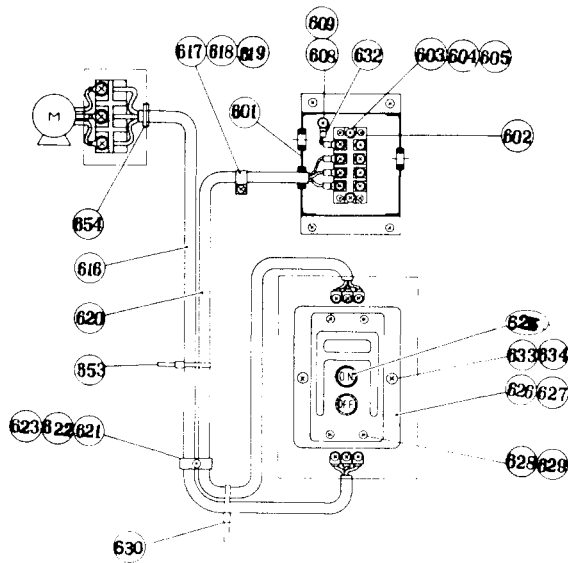
HITACHI

PLANER JOINTER

Model F-1500



ITEM NO.	PART NO.	NO. USED	DESCRIPTION	SUPPLY Q'TY	ITEM NO.	PART NO.	NO. USED	DESCRIPTION	SUPPLY Q'TY
391	949558	6	Nut M8	10	427	949458	2	Spring Washer M10	10
392	967085	2	Link		428	966769	2	Tension Bolt	
393	967091	4	Link Pin		429	949558	6	Nut M8	10
394	939540	8	Retaining Ring D10	10	430	972291	2	Table Roller	
395	967094	1	Adjust Nut		431	6205VV	4	Ball Bearing 6205VVCMP52S	
396	973129	1	Adjust Bolt		432	965469	4	Retaining Ring D25	
397	972281	1	Scale Base		433	967065	1	Sub Roller	
398	949340	2	Flat Head Screw M6×16	10	434	967064	2	Sub Roller Arm	
399	949786	1	Pin 3×6	10	435	949759	4	Hexagon Socket Set Bolt M8×30	10
400	972282	1	Roller Handle		436	949457	4	Spring Washer M8	10
401	972256	1	Special Washer		437	972292	2	Guide Piece	
402	949255	1	Machine Screw M6×12	10	438	949325	4	Flat Head Screw M4×6	10
403	972409	1	Knob (A)		439	973650	1	Screw Boss Stand	
404	973141	1	Feed Screw		440	949695	2	Bolt M10×35	10
405	972284	1	Bevel Gear		441	949458	2	Spring Washer M10	10
406	949503	1	Spring Pin 5×50	10	442	973131	1	Table Indicator (A)	
407	939431	1	Thrust Bearing 51105		443	949237	1	Machine Screw M5×12	10
408	967076	1	Ball Bearing Cover		444	949431	1	Bolt Washer M5	10
409	967103	1	Metal		445	973132	2	Liner (C)	
410	936305	1	Washer (A)		446	973159	9	Special Bolt M8×40	
411	949561	1	Nut M12	10	447	949558	9	Nut M8	10
412	949574	1	Lock Nut M12	10	448	—	1	Caution Label (F)	
413	972285	1	Handle Shaft		449	973480	1	Roller Scale	
414	973150	1	Handle (B) M250		450	972443	1	Brake Base	
415	937251	1	Feed Grip		451	972445	1	Brake Shift (B)	
416	965266	1	Grip Shaft		452	972446	1	Special Bolt M8	
417	949746		Spring Pin 5×32	10	453	972444	1	Clutch Cable (B)	
418	972286	1	Handle Holder		454	949437	2	Bolt Washer M12	10
419	972287	2	Stopper Collar		455	949426	1	Washer M8	10
420	967079	2	Set Screw M6×8		456	949558	1	Nut M8	10
421	949626	2	Bolt M8×25	10	457 A	949434	2	Bolt Washer M10 till 9 / 84	10
422	949457	2	Spring Washer M8	10	457 B	967240	2	Bolt Washer since 10 / 84	
423	972288	1	Bevel Pinion		458	949432	2	Bolt Washer M6	10
424	949550	1	Spring Pin 5×40	10	459	973651	1	Liner (D)	
425	973130	1	Feed Screw Holder (C)		460	973146		Liner (C)	
426	949695	2	Bolt M10×35	10					



ITEM NO.	PART NO.	NO. USED	DESCRIPTION	SUPPLY Q'TY	ITEM NO.	PART NO.	NO. USED	DESCRIPTION	SUPPLY Q'TY
461	973139	2	Roller Screw		633	949236	1	Machine Screw M5×10	10
462	973140	2	Collar (P)		634	949454	2	Spring Washer M5	10
463	949568	2	Lock Nut M8	10	652	949434	2	Bolt Washer M10	10
600	—	1	Connection Assembly		653	975144	4	Cable Tie	
601	967333	1	Terminal Box		654	964636	1	Free Bush	
602	966585	1	Terminal Base		660	973139	1	Bellows Plate	
603	949217	2	Machine Screw M4×12	10	661	973178	1	Bellows Holder	
604	949423	2	Washer M4	10	662	949236	6	Screw M5×10	10
605	949453	2	Spring Washer M4	10	663	949454	6	Spring Washer M5	10
606	932553	1	Cord Armor		664	973177	1	Side Plate	
607	948613	2	Cord Armor		665	976248	1	Hose Band	
608	949292	1	Machine Screw M4×6 (Brass)	10	666	973883	1	Bellows	
609	949441	1	Washer (Bass) M4	10	667	973176	1	Hose Band	
610	967336	1	Terminal Cover		668	973175	1	Feed Screw Cover	
611	949214	2	Machine Screw M4×6		671	975149	2	Hook	
612	949453	2	Spring Washer M4	10	672	949845	4	Bolt M10×25	10
613	949236	4	Machine Screw M5×10	10	673	949458	4	Spring Washer M10	10
614	949454	4	Spring Washer M5	10	674	949560	4	Nut M10	10
616	972396	1	Cord		700	946361	1	Tool Box (B)	
617	967579	1	Nylon Clip (3-phase)		701	973488	1	Side Cover (A)	
618	949236	1	Machine Screw M5×10	10	702	949622	2	Bolt M8×10	10
619	949454	1	Spring Washer M5	10	703	949457	2	Spring Washer M8	10
620	972399	1	Cord (C)		704	949613	2	Bolt M6×6	10
621	965378	1	Cord Clip		705	949455	2	Spring Washer M6	10
622	949255	1	Machine Screw M6×12	10	706	972504	1	Side Cover (B)	
623	949455	1	Spring Washer M6	10	707	949755	4	Hexagon Socket Set Bolt M6×16	10
625	—	1	K-Type Switch (220-440) HITACHI (G) SK5-T Type		708	949455	4	Spring Washer M6	10
626	973136	1	Switch Plate (A) [HITACHI (G) SK2-T]		710	935289	1	Double-ended Wrench 10×13	
627	973137	1	Switch Plate (B) [HITACHI (G) SK5-T]		711	949168	2	Double-ended Wrench 13×17	
628	949214	4	Machine Screw M4×6	10	712	—	1	Speed Label (B)	
629	949453	4	Spring Washer M4	10	713	973487	1	Stay (A)	
630	975144	1	Cable Tie		714	949254	1	Screw	
631	968664	1	Clip		715	949455	1	Washer	
632	966607	1	Lead Wire (D)						