



BOSCH

Pn-Accu-Screwdriver

Exact ION 6-1500WK | 3 602 D94 416

Table of Content

| | |
|--------------------------|---|
| Spare parts list..... | 2 |
| Illustration - Type..... | 4 |

Pn-Accu-Screwdriver | Exact ION 6-1500WK | 3 602 D94 416

Spare parts list

| Item | Part Number | Description | Illustration |
|------|---------------|----------------------------------|--------------|
| 10 | 3 601 099 004 | Switch Slide | 1 |
| 11 | 3 609 202 B07 | Angle Flange | 1 |
| 30 | 3 607 030 472 | Planetary Gear Train | 1 |
| 40 | 3 607 031 568 | Assembly kit | 1 |
| 50 | 1 607 233 5JF | Electronic Module | 1 |
| 52 | 1 607 233 516 | Indicator Plate | 1 |
| 53 | 1 607 502 627 | Microswitch | 1 |
| 54 | 1 607 502 626 | Light-Emitting-Diode | 1 |
| 55 | 1 609 280 477 | Compression Spring | 1 |
| 62 | 3 601 923 030 | Pusher | 1 |
| 80 | 2 603 490 018 | Torx Oval-Head Screw 3x18 | 1 |
| 91 | 1 607 A35 0M0 | Battery Pack GBA 18V 4.0Ah | 1 |
| 91 | 1 607 A35 0MA | Battery Pack GBA 18V 2.0Ah | 1 |
| 653 | 2 607 225 321 | Charger EU 230/14,4-18V, 30 40 S | 1 |
| 653 | 2 607 225 923 | Charger GB 230/10,8-18V, 30 42 S | 1 |
| 657 | 3 607 950 027 | Screwdriver | 1 |
| 658 | 3 601 376 007 | Single-Head Eng. Wrench | 1 |
| 659 | 3 601 923 024 | Suspension Loop | 1 |
| 801 | 3 607 031 811 | Housing Assembly | 1 |
| 802 | 3 607 031 775 | Motor assembly | 1 |
| 803 | 3 607 031 758 | Sleeve assembly | 1 |
| 804 | 3 607 031 759 | Led-Holder | 1 |
| 805 | 3 607 031 898 | Electronics Module | 1 |
| 806 | 3 607 031 899 | drive electronics | 1 |
| 807 | 3 607 031 762 | Switching Element | 1 |
| 808 | 3 607 031 884 | Switch | 1 |
| 810 | 3 607 031 842 | Set Of Plates | 1 |
| 811 | 1 600 A00 7U6 | Setting Ring | 1 |
| 820 | 3 607 031 931 | usb stick | 1 |
| 890 | 3 600 106 027 | Parts Set 5 PCE., BLACK | 1 |
| 890 | 3 600 106 028 | Parts Set 5 PCE., RED | 1 |
| 890 | 3 600 106 029 | Parts Set 5 PCE., LIGHT BLUE | 1 |
| 890 | 3 600 106 030 | Parts Set 5 PCE., LIGHT GREEN | 1 |
| 890 | 3 600 106 031 | Parts Set 5 PCE., ORANGE | 1 |
| 890 | 3 600 106 032 | Parts Set 5 PCE., GREY | 1 |

Spare parts list

| Item | Part Number | Description | | Illustration |
|-------------|--------------------|--------------------|----------------|---------------------|
| 890 | 3 600 106 033 | Parts Set | 5 PCE, . WHITE | 1 |
| 881 | 1 607 000 CM1 | Adapter Line | | 2 |
| 882 | 1 607 000 CM0 | Adapter Line | | 2 |

Illustration - Type - E

3 602 D94 406; 407; 408; 409
 Issue | 22-06-28
 Stand | **Fig./Abb. 1**

▲ **Attention: Repair only at ESD safe working area!**
 ● **Beachten: Arbeiten nur an ESD-geschütztem Arbeitsplatz durchführen!**

● **Important! See Illustration 2**
 ● **Wichtig! Bild 2. anschauen**

Anzugsmomente
 Torque values
 Couple de serrage
 Pares de apriete
 Pos. 80 = 0,8 - 1,1 Nm
 82 = 0,5 - 0,7 Nm

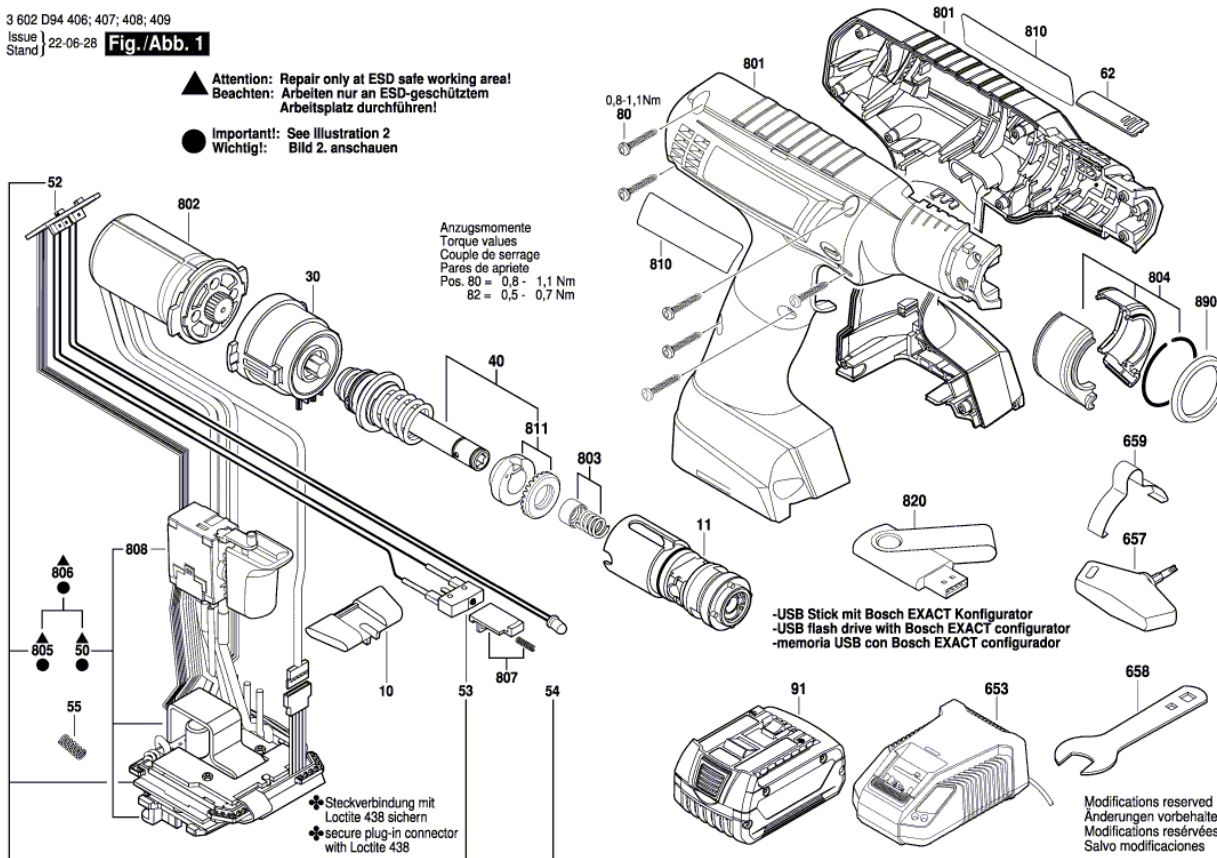


Illustration - Type - E

3 602 D94 406
Issue |
Stand | 04-04-18

Fig./Abb. 2

