

SCREW ON HAND TIGHT 4

2 TORQUE 20-25 IN-LBS

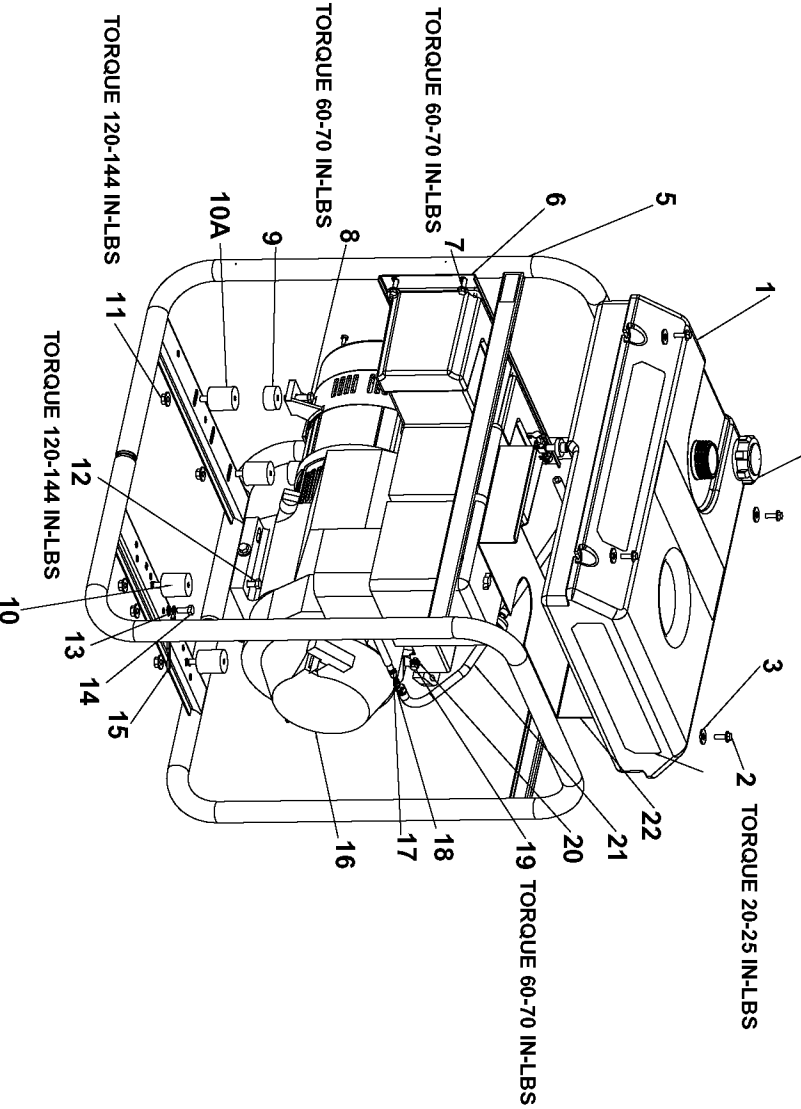
19 TORQUE 60-70 IN-LBS

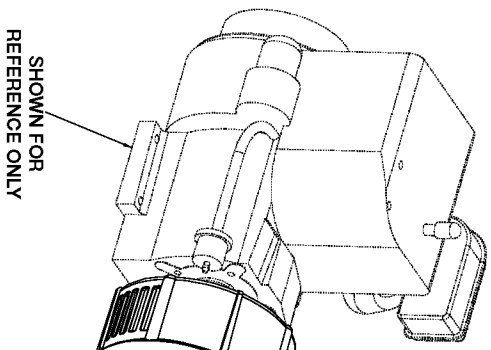
TORQUE 60-70 IN-LBS

TORQUE 60-70 IN-LBS

TORQUE 120-144 IN-LBS

TORQUE 120-144 IN-LBS





SHOWN FOR REFERENCE ONLY

33 ORIENT WITH VENTS DOWNWARD AS SHOWN

34 TORQUE TO 204-264 IN-LBS

37 TORQUE UNTIL THREADS RUN OUT

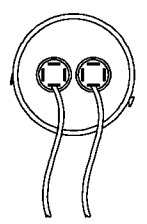
36 TORQUE TO 120-144 IN-LBS 40

BOLT FLANGES TOP PARALLEL WITH ENGINE BASE

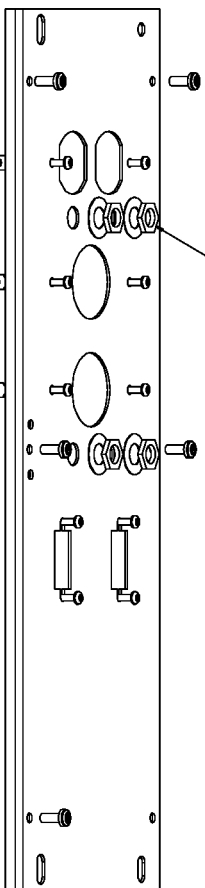
41 TORQUE TO 30-40 IN-LBS

42 TORQUE TO 60-70 IN-LBS

SHOWN FOR REFERENCE ONLY



CAPACITOR WIRING



TORQUE 15-25 IN-LBS

ATTACH SPEED CLIP  
PRIOR TO ASSEMBLY  
OF DEVICES  
TO FACE PLATE

47

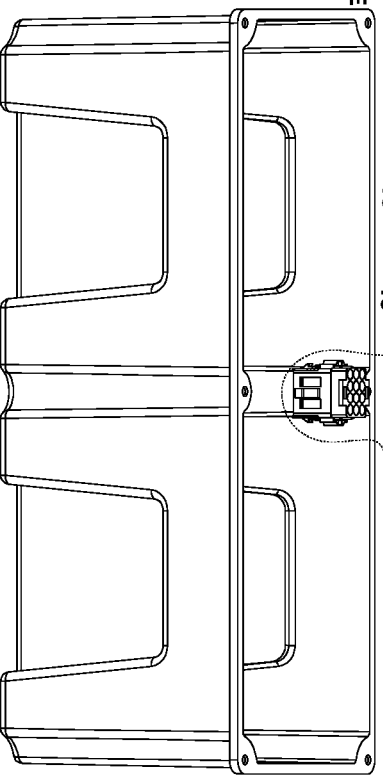
48

49

50

51

WIRING HARNESS PIN PLUG  
TO BE SNAPPED INTO OPENING  
INSIDE REAR COVER



## Parts List for EXGHV4510 Type 0

Item Number	Part Number	Description	Qty Required
1	Z-GS-0795	TANK FUEL 7G SS	1
2	91895680	SCREW .250-20X.750 H	1
3	SSN-632	WASHER .875 OD .375	1
4	GS-0443	CAP FUEL TANK	1
5	000000-00	No Longer Available	1
6	000000-00	No Longer Available	1
7	91895680	SCREW .250-20X.750 H	1
8	95829230	SCREW .313-18X1.50 H	1
9	000000-00	No Longer Available	1
10	GS-0433	ISOLATOR	1
10	GS-0433	ISOLATOR	1
11	SSF-8150	NUT .312-18 UNC HEX	1
12	5140123-06	SCREW	1
13	N017772	LOCK WASHER	1
14	SS-12-CD	SCREW .313-18X.750 H	1
15	GS-0118	STRAP GROUND	1
16	000000-00	No Longer Available	1
17	000000-00	No Longer Available	1
18	GS-0535	UNION REDUCER 1/4 X	1
19	39124607	SCREW .250-20X.625 H	1
20	5130235-00	LOCK WASHER	1
21	Z-A14582	HOSE FUEL	1
22	000000-00	No Longer Available	1
23	GS-0227	CLAMP FUEL .50	1
24	GS-0459	FILTER FUEL	1
25	GS-0117	LUG GROUND	1
26	SSF-553-1	SCREW #10-24X.563 TH	1

## Parts List for EXGHV4510 Type 0

Item Number	Part Number	Description	Qty Required
27	GS-0077	COVER END BLANK	1
28	000000-00	No Longer Available	1
29	GS-0437	DRAIN COCK	1
30	N103455	GROMMET	1
31	000000-00	No Longer Available	1
32	SSF-627	SCREW M5X8.5X12 HEX	1
33	000000-00	No Longer Available	1
34	SSN-619	WASHER .375 SPRING L	1
35	5140125-93	SCREW	1
36	Z-D27809	ASSY GEN 3.255 2D IC	1
36	D29822	KIT SERVICE FOCUS MO	1
37	GS-0110	BOLT STATOR THRU 130	1
38	Z-D27809	ASSY GEN 3.255 2D IC	1
38	D29822	KIT SERVICE FOCUS MO	1
39	330016-13	WASHER	1
40	SSF-576	NUT .313-24 HEX W/KE	1
41	GS-0091-1	BOLT ROTOR THRU 130L	1
42	GS-0681	BREAKER CIRCUIT	1
43	SSF-575	NUT .250-20 HEX W/KE	1
44	GS-0104	CAPACITOR 50 UF	1
45	K-0378	KIT SUPPORT BEARING	1
46	SSF-553-1	SCREW #10-24X.563 TH	1
47	GS-0019	RECEPTACLE 120V 20A	1
48	GS-0480	RECEPTACLE 125V 20A	1
49	GS-0445	RECEPTACLE 4 PRONG T	1
50	Z-GS-0024	BREAKER CIRCUIT 125/	1
51	GS-0045	SWITCH FULL POWER	1

## Parts List for EXGHV4510 Type 0

Item Number	Part Number	Description	Qty Required
856	GS-0082	DIODE DSA	1
856	GS-0862	O-RING ROTOR BEARING	1