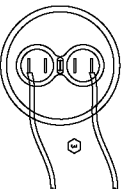
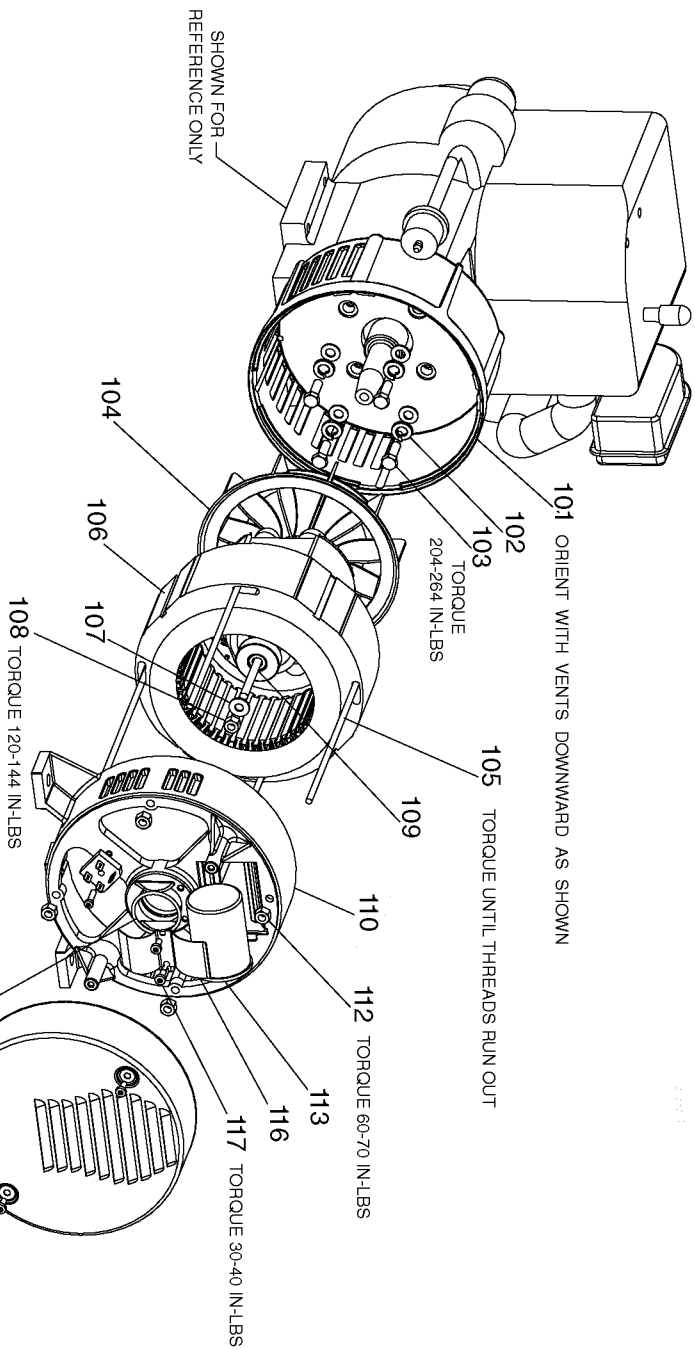
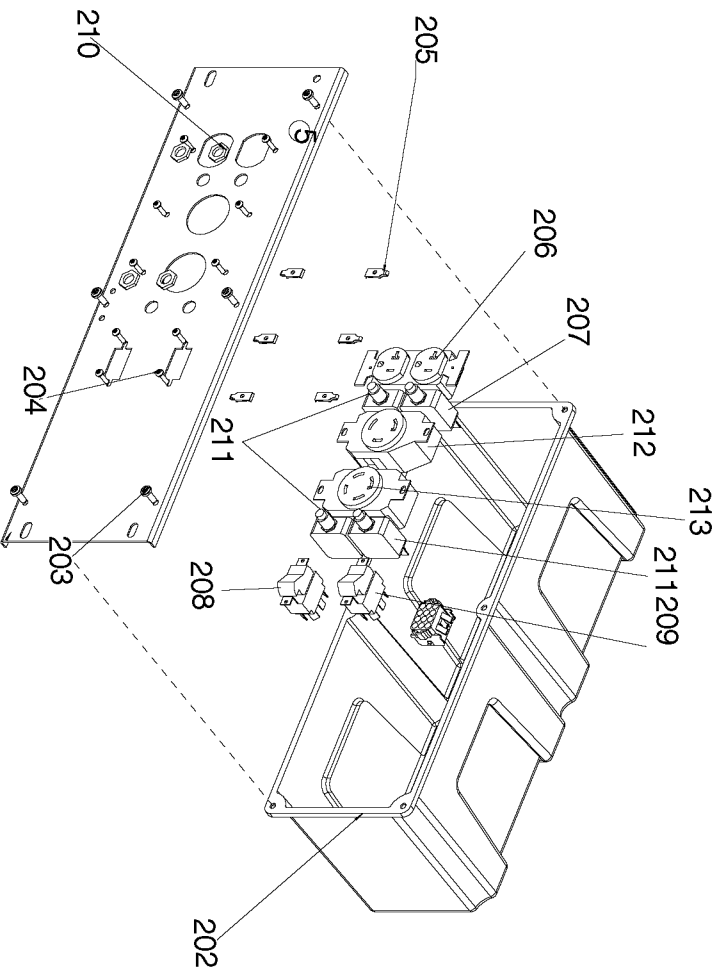


SHOWN FOR
REFERENCE ONLY



SCALE 1:1



Parts List for EXGBVE7010 Type 3

Item Number	Part Number	Description	Qty Required
1	91895680	SCREW .250-20X.750 H	1
2	Z-GS-0795	TANK FUEL 7G SS	1
3	GS-0443	CAP FUEL TANK	1
4	000000-00	No Longer Available	1
5	000000-00	No Longer Available	1
7	GS-0077	COVER END BLANK	1
8	SSF-553-1	SCREW #10-24X.563 TH	1
9	Z-A14582	HOSE FUEL	1
10	GS-0227	CLAMP FUEL .50	1
11	5140123-06	SCREW	1
12	000000-00	No Longer Available	1
13	000000-00	No Longer Available	1
14	SS-12-CD	SCREW .313-18X.750 H	1
15	GS-0118	STRAP GROUND	1
16	N017772	LOCK WASHER	1
17	SSF-8150	NUT .312-18 UNC HEX	1
19	GS-0033	ISOLATOR VIBRATION 1	1
20	000000-00	No Longer Available	1
21	GS-0117	LUG GROUND	1
23	000000-00	No Longer Available	1
24	GS-0437	DRAIN COCK	1
25	N103455	GROMMET	1
26	95829230	SCREW .313-18X1.50 H	1
38	000000-00	No Longer Available	1
39	SSN-632	WASHER .875 OD .375	1
101	000000-00	No Longer Available	1
102	SSN-619	WASHER .375 SPRING L	1

Parts List for EXGBVE7010 Type 3

Item Number	Part Number	Description	Qty Required
103	5140125-93	SCREW	1
104	000000-00	No Longer Available	1
104	D29822	KIT SERVICE FOCUS MO	1
105	GS-0273	BOLT STATOR THRU 207	1
106	000000-00	No Longer Available	1
106	D29822	KIT SERVICE FOCUS MO	1
107	330016-13	WASHER	1
108	SSF-576	NUT .313-24 HEX W/KE	1
109	GS-0274	BOLT ROTOR THRU 207L	1
110	000000-00	No Longer Available	1
112	SSF-575	NUT .250-20 HEX W/KE	1
113	GS-0592	CAPACITOR 35uF 3% 37	1
116	GS-0595	BRACKET CAPACITOR 2.	1
117	SSF-553-1	SCREW #10-24X.563 TH	1
121	GS-0862	O-RING ROTOR BEARING	1
202	000000-00	No Longer Available	1
203	SSF-3156	SCREW #10-9X.500 THD	1
204	SSF-583	SCREW #6-32X.500 PAN	1
205	SSF-584	NUT #6-32 SPEED SELF	1
206	GS-0019	RECEPTACLE 120V 20A	1
207	D21508	BREAKER CIRCUIT	1
208	GS-0045	SWITCH FULL POWER	1
209	GS-0046	SWITCH OFF - ON / ST	1
210	SSF-595	NUT .438-28 UNEF HEX	1
211	GS-0026	BREAKER CIRCUIT 125/	1
212	GS-0021	RECEPTACLE 125V 30A	1
213	GS-0455	RECEPTACLE 4 PRONG 3	1

Parts List for EXGBVE7010 Type 3

Item Number	Part Number	Description	Qty Required
856	GS-0082	DIODE DSA	1