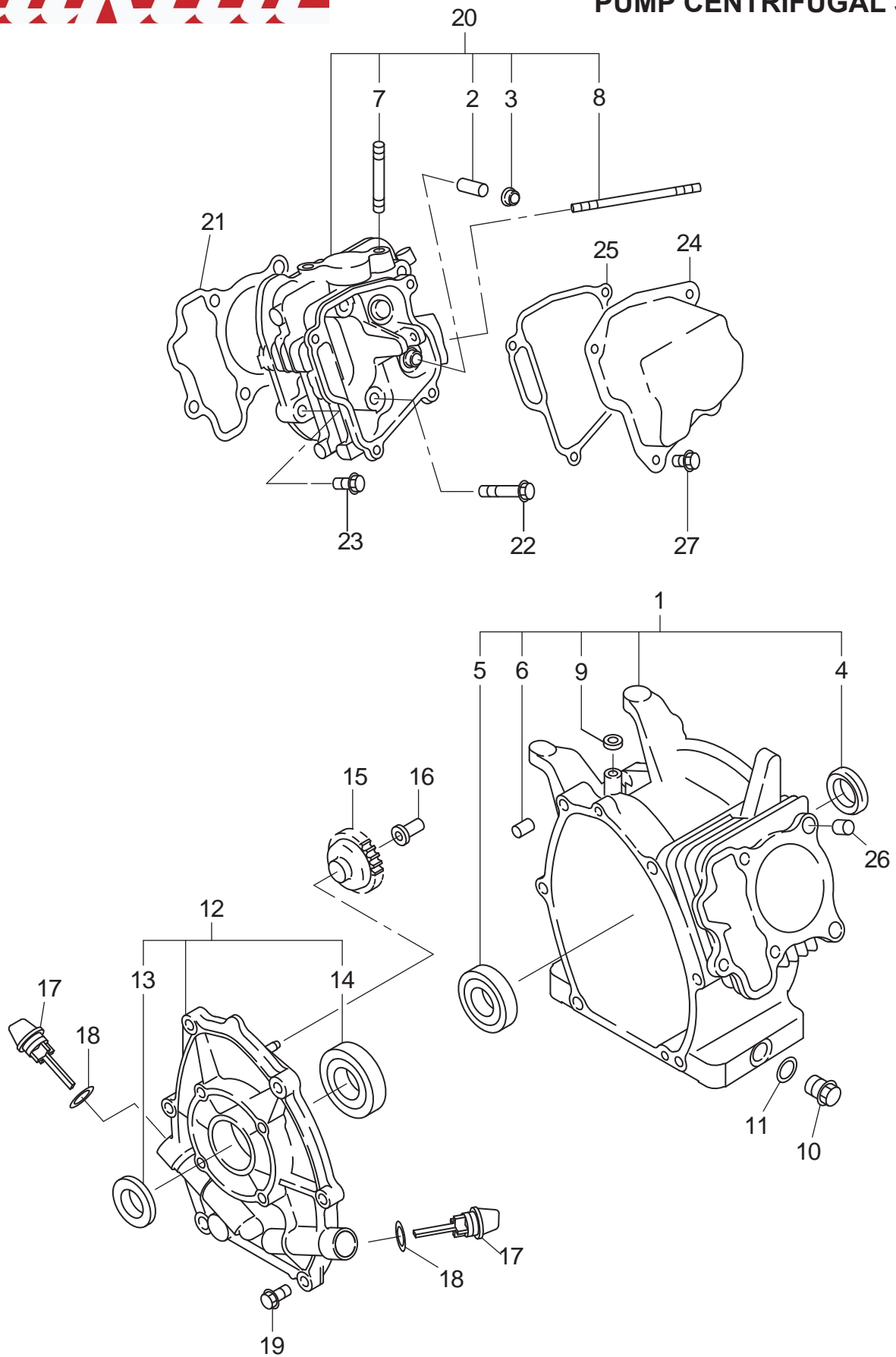
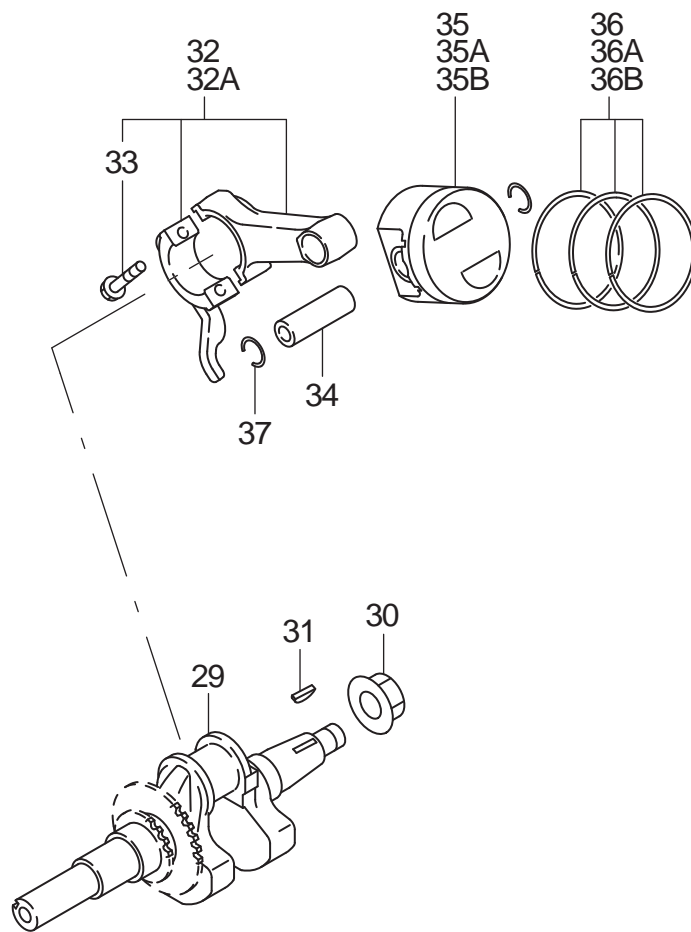
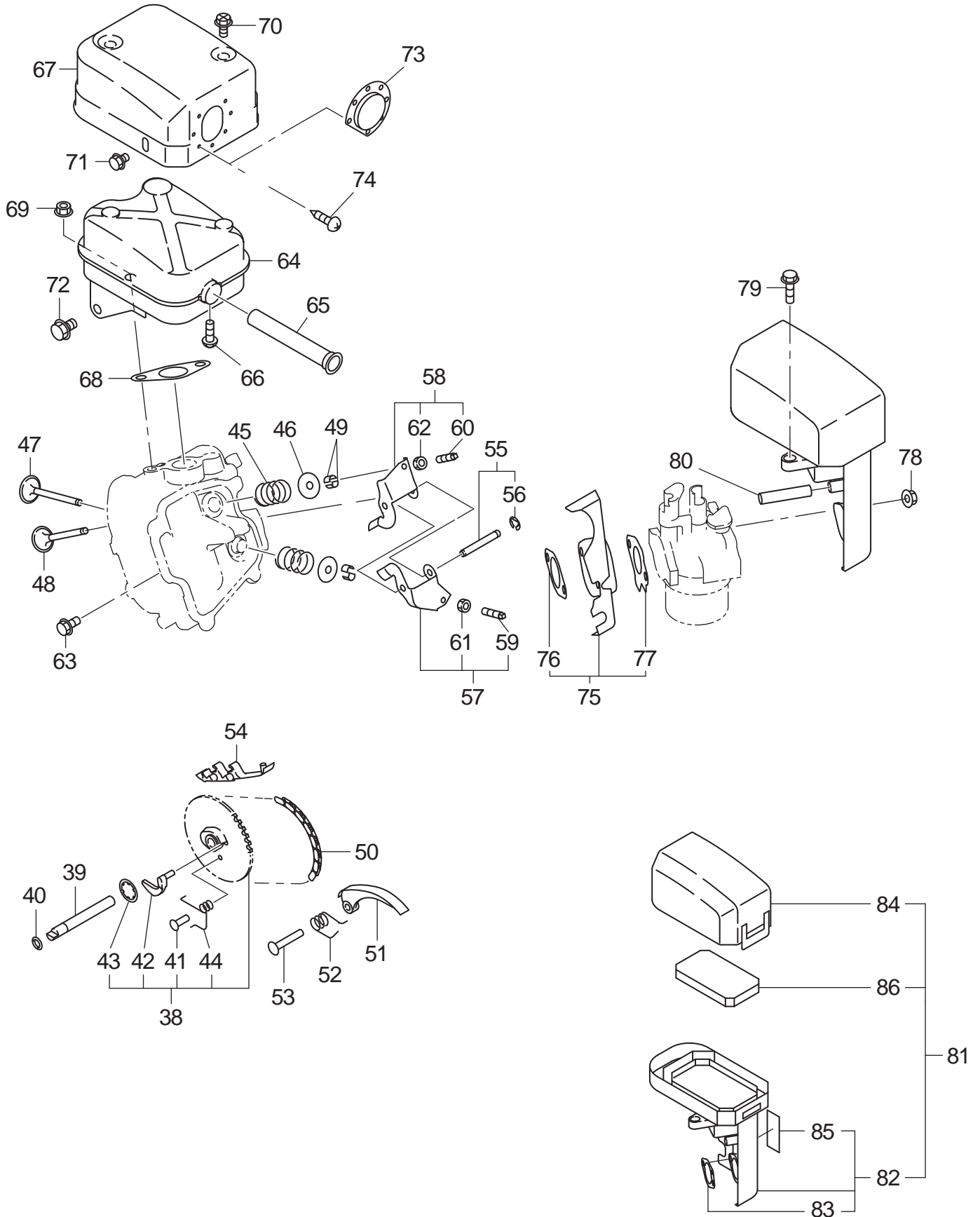
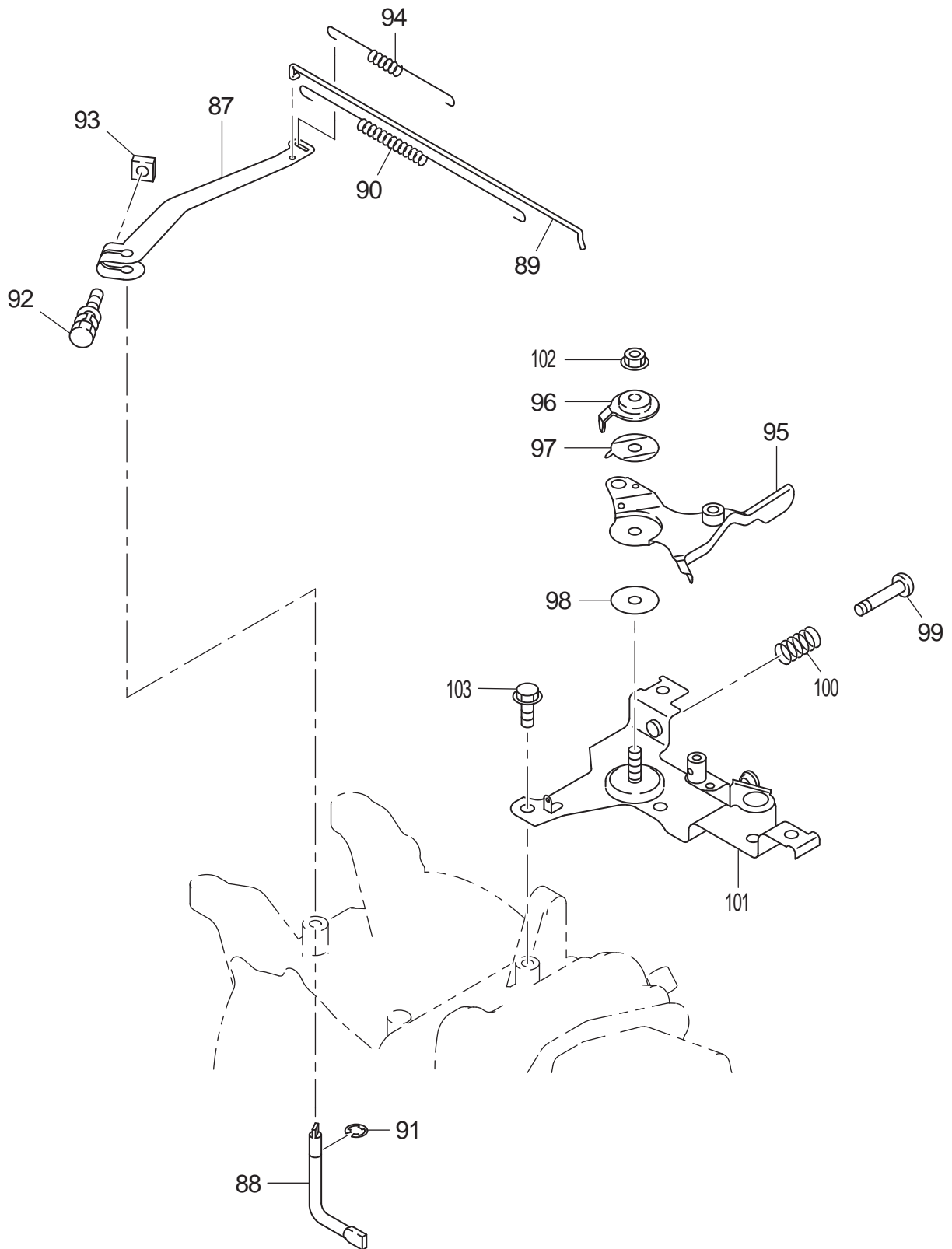


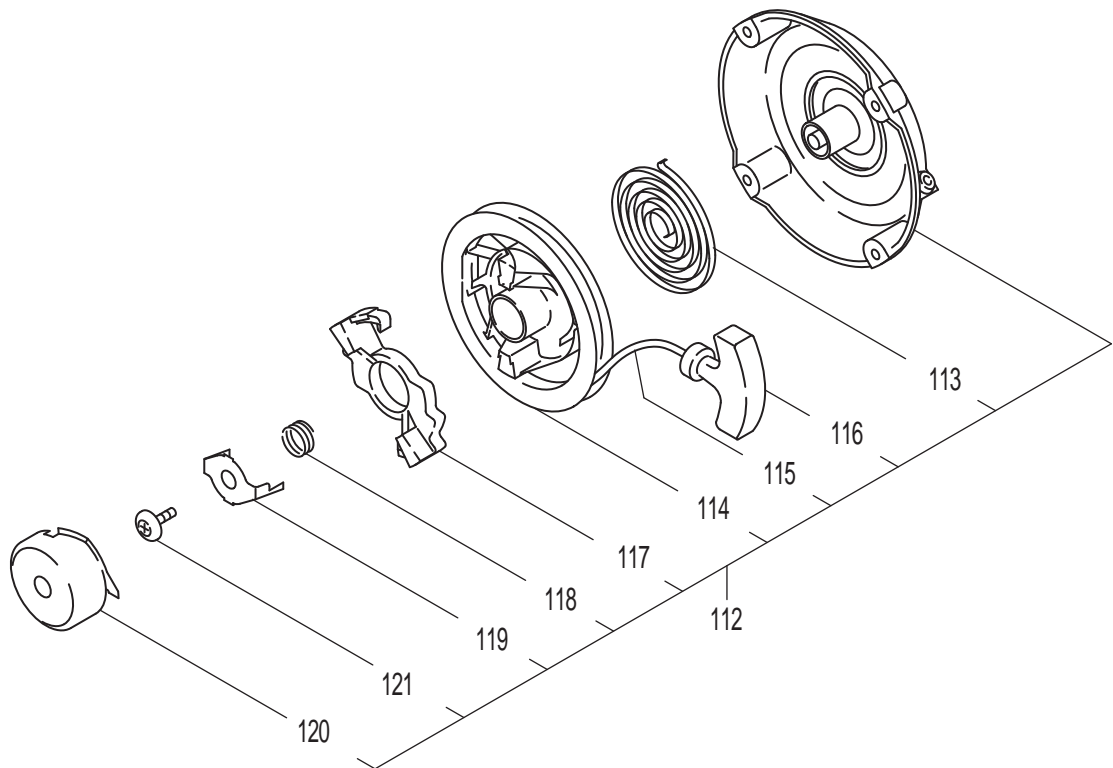
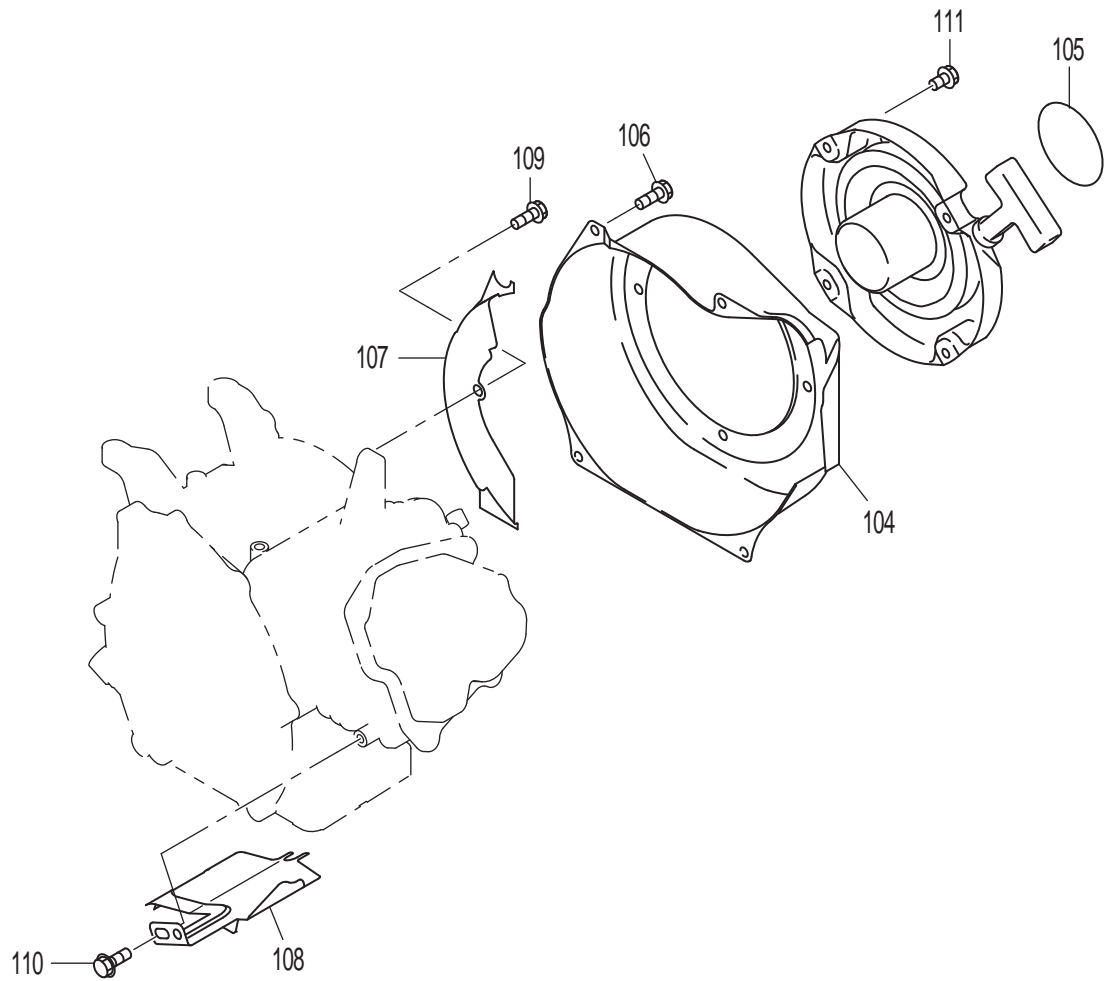
PUMP CENTRIFUGAL 3"

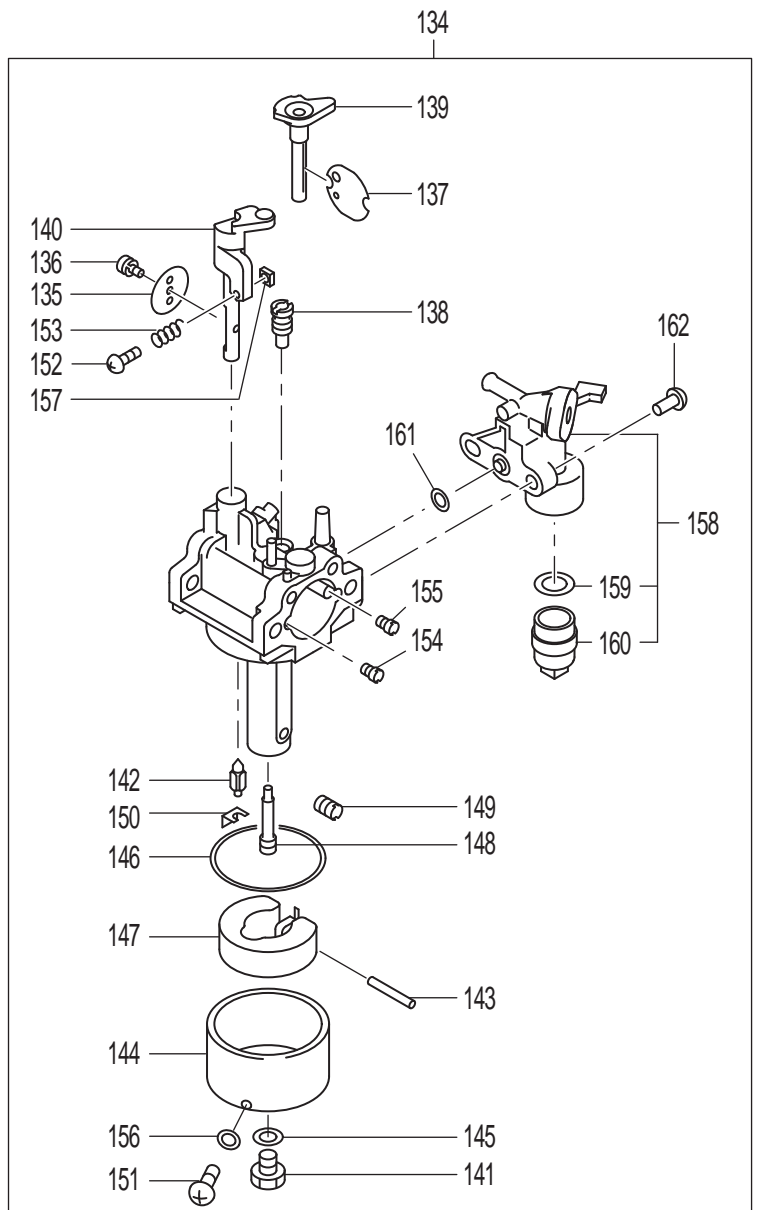
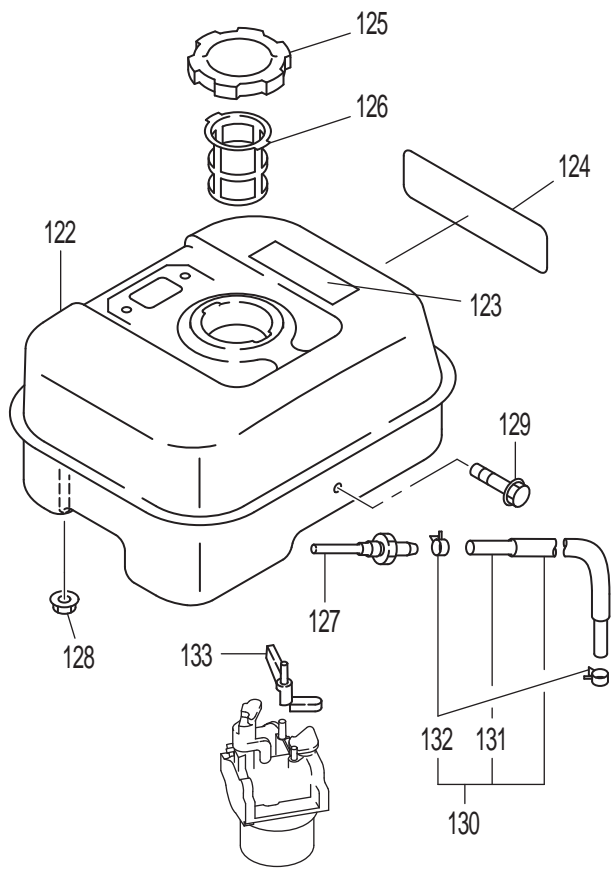


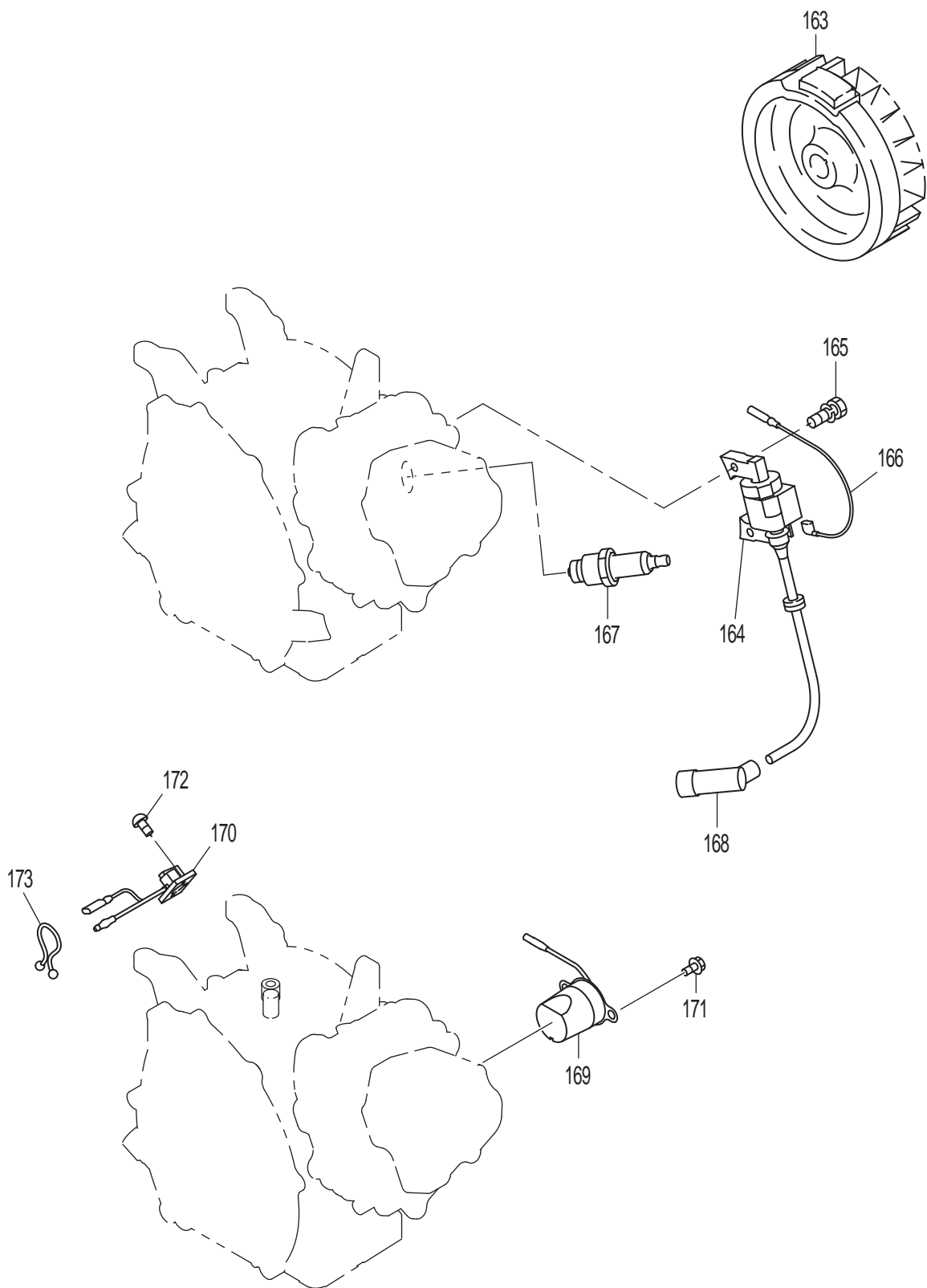


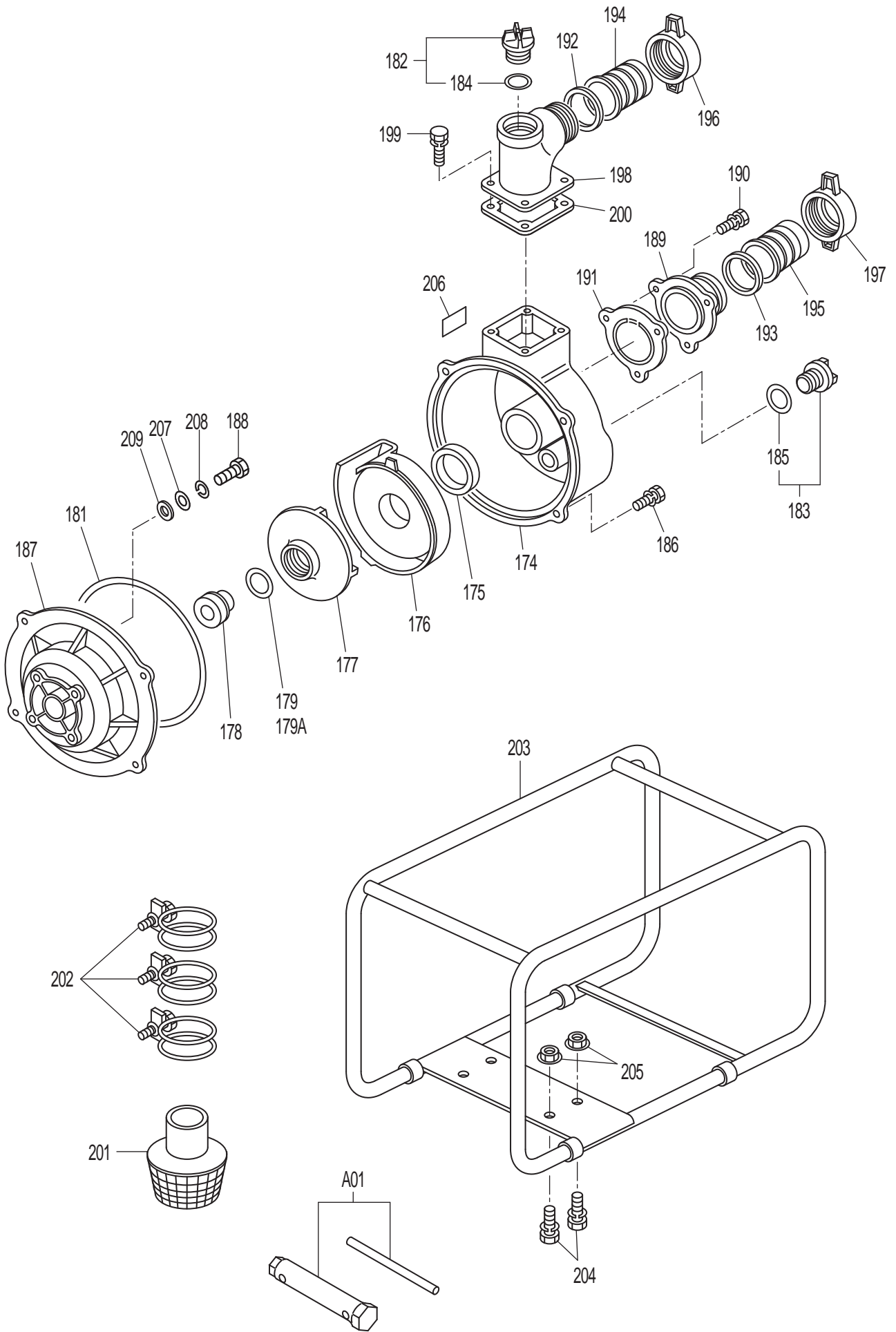












Item No	Type	Ref R	Part No	Description	Qty	Unit
1			277-10102-51	CRANK CASE COM. (OLD 227-10102-41 - N/L/A)	1	PC.
		INC.		Item No. 4-69		
2			237-14202-03	VALVE GUIDE (OVERSIZE)	2	PC.
3			277-16010-01	STEM SEAL	1	PC.
4			044-02502-00	OIL SEAL 25DX38DX7B	1	PC.
5			060-02800-21	BALL BEARING 62/28 28DX58DX16B	1	PC.
6			277-15011-03	PIPE KNOCK 10.3DX8.5DX14L	2	PC.
7			010-50802-50	STUD	2	PC.
8			010-50603-51	STUD M6X1.0X98L	2	PC.
9			044-00600-20	OIL SEAL 6DX10DX2.5B	1	PC.
10			040-11400-30	PLUG	1	PC.
11			021-11400-20	GASKET	1	PC.
12	1		277-11001-31	MAIN BEARING COVER COM - N/L/A	1	PC.
		INC.		Item No. 13,14		
	2		277-11001-41	MAIN BEARING COVER COM	1	PC.
		INC.		Item No. 13,14		
13			044-02502-10	OIL SEAL 25DX41.25DX6B	1	PC.
14	1		060-02501-40	BALL BEARING 6205 25DX52DX15B - N/L/A	1	PC.
	2		X60-02501-40	BALL BEARING 6205	1	PC.
15	1		277-45004-J1	GOVERNOR GEAR CP	1	PC.
	2		277-45004-K1	GOVERNOR GEAR COM.	1	PC.
16	1		277-41901-03	GOVERNOR SLEEVE - N/L/A	1	PC.
	2		277-41902-01	GOVERNOR SLEEVE COM	1	PC.
17	1		277-63601-23	OIL GAUGE	2	PC.
	2		277-63601-30	OIL GAUGE	2	PC.
18	1		021-31600-20	GASKET 16DX23X1.2T	2	PC.
	2		X21-31600-20	GASKET 16DX23X1.2T	2	PC.
	3		277-63601-08	GASKET	2	PC.
19			001-04083-50	FLANGE BOLT	6	PC.
20			277-13001-11	CYLINDER HEAD CP	1	PC.
		INC.		Item No. 23,78		
21	1		277-15001-23	GASKET(HEAD)	1	PC.
	2		277-15001-33	GASKET(HEAD) (Component of 277-99001-47)	1	PC.
	3		277-15001-43	GASKET(HEAD) (Component of 277-99001-57)	1	PC.
22			011-00802-40	FLANGE BOLT M8X1.25X16DX68L	4	PC.
23			011-00803-10	FLANGE BOLT M8X33L	1	PC.
24			277-15503-01	ROCKER COVER CP	1	PC.
25			277-16001-13	GASKET(ROCKER COVER)T=0.7	1	PC.
26			277-15011-03	PIPE KNOCK 10.3DX8.5DX14L	2	PC.
27			011-00600-20	FLANGE BOLT M6X1.0X14DX12L	4	PC.
28	1		277-99001-27	GASKET SET EX17.21	1	PC.
		INC.		Item No. 11,18,21,25,68,76,77		
	2		277-99001-37	GASKET SET - N/A	1	PC.
		INC.		Item No. 11,18,21,25,68,76,77		
	3		277-99001-47	GASKET SET	1	PC.
		INC.		Item No. 11,18,21,25,68,76,77		
	4		277-99001-57	GASKET SET	1	PC.
		INC.		Item No. 11,18,21,25,68,76,77		
29			277-20301-21	CRANK SHAFT CP	1	PC.
30			018-01400-20	FLANGE NUT M14X1.5X28DX12H	1	PC.
31			032-30300-10	WOODRUFF KEY	1	PC.
32			277-22501-10	CONNECTING ROD ASS'Y	1	PC.
		INC.		Item No. 33		
33			277-23001-03	CONNECTING ROD BOLT	2	PC.
34			277-23301-13	PISTON PIN 16DX11DX48.5L	1	PC.
35			277-23401-J3	PISTON STD	1	PC.

Item No	Type	Ref	R Part No	Description	Qty	Unit
36	1		277-23511-37	PISTON RING SET STD	1	PC.
	2		277-23511-47	PISTON RING SET STD	1	PC.
37			056-51600-10	CLIP	2	PC.
38	1		277-31601-31	CAM SHAFT CP	1	PC.
		INC.		Item No. 41-44		
	2		277-31601-41	CAM SHAFT CP	1	PC.
		INC.		Item No. 41-44		
39	1		277-35101-03	PIN(CAM SHAFT)9DX78.5L	1	PC.
	2		277-35101-01	PIN(CAM SHAFT)CP	1	PC.
		INC.	277-35101-03	PIN(CAM SHAFT)9DX78.5L - N/L/A as individually	1	PC.
		INC.		Item No. 40		
40			024-00600-10	O RING 5.8DX9.6D (OLD) - N/L/A as individually	1	PC.
41			277-38601-03	PIN(SPRING) 4DX8DX9L	1	PC.
42	1		277-36401-03	RELEASE LEVER	1	PC.
	2		277-36401-13	RELEASE LEVER	1	PC.
43			277-36501-03	CLIP 13.8DX20.3DX4T	1	PC.
44			277-38702-03	RETURN SPRING	1	PC.
45			279-33601-03	VALVE SPING	2	PC.
46			269-33701-03	SPRING RETAINER	2	PC.
47			277-33401-H3	INTAKE VALVE	1	PC.
48			277-33501-H3	EXHAUST VALVE 23.5DX5.5DX68.1L	1	PC.
49			132-10KA0-31	COLLET VALVE	4	PC.
50	1		277-35601-11	TIMING CHAIN COMPLETE - N/L/A	1	PC.
	2		277-35602-H1	TIMING CHAIN COMPLETE	1	PC.
51	1		277-36911-03	TENSIONER	1	PC.
	2		20A-36911-03	TENSIONER	1	PC.
52			277-37101-03	SPRING(TENSIONER)	1	PC.
53			277-36902-03	PIN(TENSIONER) 6DX13DX34L	1	PC.
54	1		277-36913-13	CHAIN GUIDE	1	PC.
	2		20A-36913-03	CHAIN GUIDE	1	PC.
55			277-35004-01	PIN(ROCKER) CP (OLD# 277-35002-01 - N/L/A)	1	PC.
		INC.		Item No. 56		
56			003-13050-00	CLIP	1	PC.
57			277-36201-00	LOCKER ARM(INTAKE) ASS'Y	1	PC.
		INC.		Item No. 59,61		
58			277-36202-00	ROCKER ARM(EXHAUST)ASS'Y	1	PC.
		INC.		Item No. 60,62		
59			014-90500-20	ADJUST SCREW M5X23	1	PC.
60			014-90500-20	ADJUST SCREW M5X23	1	PC.
61			017-00500-30	NUT M5	1	PC.
62			017-00500-30	NUT M5	1	PC.
63			011-00600-20	FLANGE BOLT M6X1.0X14DX12L	1	PC.
64			277-30111-J1	MUFFLER CP	1	PC.
65			277-37601-01	SPARK ARRESTOR CP	1	PC.
66			015-00400-60	TAPPING SCREW M4X6L	1	PC.
67			277-34201-31	MUFFLER COVER CP	1	PC.
68			277-35201-13	GASKET(MUFFLER)	1	PC.
69	1		980-20082-80	FLANGE NUT M8	2	PC.
	2		002-38080-00	FLANGE NUT	2	PC.
70			015-20600-90	TAPPING BOLT	2	PC.
71			011-00600-10	FLANGE BOLT M6X1.0X14DX8L	1	PC.
72			011-00803-20	FLANGE BOLT	1	PC.
73			277-37203-H1	SCREEN CP	1	PC.
74			015-00400-60	TAPPING SCREW M4X6L	2	PC.
75	1		277-32902-J1	INSULATOR COMPLETE	1	PC.
		INC.		Item No. 76,77		

Item No	Type	Ref R	Part No	Description	Qty	Unit
	2		20A-32902-01	INSULATOR COMPLETE	1	PC.
		INC.		Item No. 76,77		
76	1		277-35903-J3	GASKET 2(INSULATOR)	1	PC.
	2		20A-35903-03	GASKET 2(INSULATOR)	1	PC.
77	1		277-35902-J3	GASKET 1(INSULATOR)	1	PC.
	2		20A-35902-03	GASKET 1(INSULATOR)	1	PC.
78			002-38060-00	FLANGE NUT M6	2	PC.
79			011-00600-50	FLANGE BOLT	1	PC.
80			085-10800-00	RUBBER PIPE (8DX11D)	1	PC.
81			277-32611-10	AIR CLEANER ASSY	1	PC.
		INC.		Item No. 82,84,86		
82			277-32601-18	BASE CP	1	PC.
		INC.		Item No. 83,85		
83			277-32604-08	PACKING	1	PC.
84			277-32602-08	COVER CP	1	PC.
85			277-32609-08	LABEL	1	PC.
86			277-32603-08	ELEMENT	1	PC.
87	1		277-42301-23	GOVERNOR LEVER	1	PC.
	2		277-42301-40	GOVERNOR LEVER	1	PC.
		INC.		Item No. 92, 93		
88			277-42201-33	GOVERNOR SHAFT	1	PC.
89	1		277-42701-11	GOVERNOR ROD CP	1	PC.
	2		277-42701-23	GOVERNOR ROD CP	1	PC.
90			277-42801-23	ROD SPRING 7DX.5DX182L N=16	1	PC.
91			003-13050-00	CLIP	1	PC.
92	1		013-00602-40	BOLT AND WASHER ASS'Y	1	PC.
	2		001-14062-50	BOLT AND WASHER ASS'Y	1	PC.
93			018-60600-20	NUT M6X1.0X4.9H	1	PC.
94	1		277-42510-13	GOVERNOR SPRING - N/L/A	1	PC.
	2		277-42510-23	GOVERNOR SPRING	1	PC.
95			277-43303-03	SPEED CONTROL LEVER	1	PC.
96			277-43502-03	STOP PLATE	1	PC.
97			277-44501-03	WASHER	1	PC.
98			021-70600-70	FRICTION WASHER	1	PC.
99			004-31062-50	SCREW	1	PC.
100			237-45004-23	SPRING(ADJUST)	1	PC.
101			277-46002-02	SPEED CONTROL BRACKET UNIT	1	PC.
102			002-35060-00	SELF LOCK NUT	1	PC.
103			011-00600-20	FLANGE BOLT M6X1.0X14DX12L	2	PC.
104			277-51205-01	BLOWER HOUSING COMPLETE	1	PC.
105			277-91703-03	LABEL(MAKITA)	1	PC.
106			011-00600-30	FLANGE BOLT M6X1.0X14DX14L	4	PC.
107			277-52711-21	BAFFLE 1 CP	1	PC.
108			277-52702-03	BAFFLE 2(HEAD) COMPLETE	1	PC.
109			001-04061-60	FLANGE BOLT	1	PC.
110			011-00600-20	FLANGE BOLT M6X1.0X14DX12L	1	PC.
111	1		013-00602-80	BOLT AND WASHER ASSY	4	PC.
	2		013-00602-81	BOLT AND WASHER ASSY	4	PC.
112	1		277-50301-00	RECOIL STARTER AY	1	PC.
		INC.		Item No. 113-121		
	2		277-50301-10	RECOIL STARTER AY	1	PC.
		INC.		Item No. 113-121		
	3		277-50301-20	RECOIL STARTER AY	1	PC.
		INC.		Item No. 113-121		
	4		277-50301-30	RECOIL STARTER AY	1	PC.
		INC.		Item No. 113-121		

Item No	Type	Ref R	Part No	Description	Qty	Unit
113			226-50716-08	SPIRAL SPRING	1	PC.
114			277-50121-08	REEL	1	PC.
115			277-50110-08	STARTER ROPE	1	PC.
116	1		281-50300-08	STARTER KNOB - N/L/A	1	PC.
	2		281-50300-18	STARTER KNOB	1	PC.
117			281-50325-08	RATCHET	1	PC.
118			281-50330-08	FRICTION SPRING	1	PC.
119			281-50340-08	FRICTION PLATE	1	PC.
120			277-50145-08	STARTER PULLEY	1	PC.
121			281-50351-08	CENTER SCREW	1	PC.
122	1		277-60105-01	FUEL TANK CP - N/L/A	1	PC.
	2		2776010511	FUEL TANK CP	1	PC.
123			073-20051-81	LABEL(WARNING)	1	PC.
124			277-95111-03	LABEL(MODEL)	1	PC.
125			043-04400-50	FUEL TANK CAP COMPLETE	1	PC.
126			X64-13600-10	FUEL FILTER	1	PC.
127			X50-51200-20	UNION	1	PC.
128			002-38060-00	FLANGE NUT M6	2	PC.
129			011-00601-30	FLANGE BOLT	1	PC.
130	1		277-62601-01	FUEL PIPE CP	1	PC.
		INC.		Item No. 131,132		
	2		2776260111	FUEL PIPE CP	1	PC.
		INC.		Item No. 131,132		
131	1		X85-10613-50	RUBBER PIPE - N/L/A	1	PC.
	2		X85-10613-51	RUBBER PIPE	1	PC.
132			056-11100-50	HOSE CLAMP	2	PC.
133			277-43801-01	CHOKE LEVER CP	1	PC.
134			277-62301-30	CARBURETOR AY	1	PC.
		INC.		Item No. 135-162		
135			277-62535-08	THROTTLE VALVE #160	1	PC.
136			209-62351-08	SCREW ASS'Y	1	PC.
137			277-62525-08	CHOKE VALVE	1	PC.
138			246-62420-08	PILOT JET (#40)	1	PC.
139			277-62520-08	CHOKE LEVER	1	PC.
140			277-62530-18	THROTTLE SHAFT-A	1	PC.
141			227-62451-08	BOLT	1	PC.
142			277-62500-08	NEEDLE	1	PC.
143			277-62515-08	PIN	1	PC.
144			277-62506-08	FLOAT BODY	1	PC.
145			214-62450-08	PACKING	1	PC.
146			214-62540-08	FLOAT CHAMBER PACKING	1	PC.
147			226-62506-08	FLOAT ASS'Y	1	PC.
148			277-62440-08	MAIN NOZZLE	1	PC.
149			277-62402-08	MAIN JET #81.3	1	PC.
150			226-62701-18	CLIP	1	PC.
151			277-62360-08	BOLT	1	PC.
152			106-62556-08	SCREW	1	PC.
153			283-62357-08	SPRING	1	PC.
154			248-62410-08	AIR JET	1	PC.
155			106-62410-08	AIR JET(PILOT)	1	PC.
156			236-62541-08	PACKING	1	PC.
157			277-62553-08	NUT	1	PC.

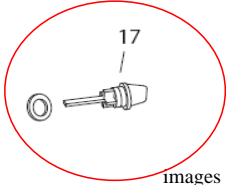
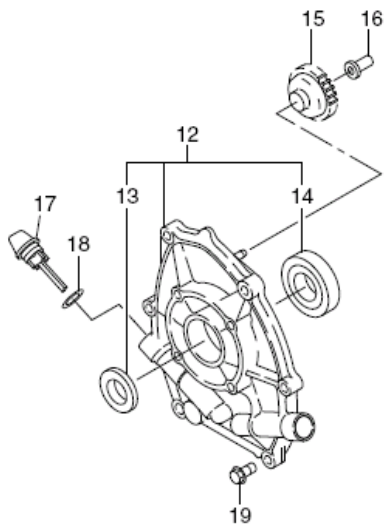
Item No	Type	Ref R	Part No	Description	Qty	Unit
158	1		279-62103-10	COCK BODY-A	1	PC.
		INC.		Item No. 159,160		
	2		2796210320	COCK BODY-A	1	PC.
		INC.		Item No. 159,160		
159			277-62110-18	PACKING	1	PC.
160			277-62100-18	CUP	1	PC.
161			277-62552-08	O-RING	1	PC.
162			165-62377-08	SCREW	2	PC.
163			277-79230-11	FLYWHEEL COMPLETE	1	PC.
164	1		277-79431-01	IGNITION COIL COMPLETE	1	PC.
	2		277-79431-11	IGNITION COIL COMPLETE	1	PC.
165			001-14062-50	BOLT & WASHER ASS'Y	2	PC.
166			277-73101-H1	WIRE 1 CP	1	PC.
167			065-01402-10	SPARK PLUG (BR6HS) (OLD# 065-01401-50 -N/L/A)	1	PC.
168	1		065-50002-70	SPARK PLUG CAP	1	PC.
	2		X65-50002-70	SPARK PLUG CAP	1	PC.
169			277-76301-21	OIL SENSOR CP	1	PC.
170			KU3-11071-01	FLOAT C/U CP5	1	PC.
171			001-14061-60	BOLT & WASHER ASS'Y	2	PC.
172			015-00400-90	TAPPING SCREW 4X12	2	PC.
173			056-90000-20	PURSE LOCK ASS'Y	1	PC.
174			480-08010-01	CASING	1	PC.
175			480-08010-12	INNER CASING PACKING	1	PC.
176			480-08010-11	INNER CASING	1	PC.
177			480-08010-09	IMPELLER	1	PC.
178			480-05010-10	MECHANICAL SEAL	1	PC.
179			480-08010-37	SHIM (20X18X0.3MM)	1	PC.
181			480-05010-02	CASING PACKING	1	PC.
182			480-05010-21	PLUG	1	PC.
		INC.		Item No. 184		
			480-05010-21	PLUG	1	PC.
		INC.		Item No. 185		
184			480-05010-22	O RING	1	PC.
185			480-05010-22	O RING	1	PC.
186			480-05310-03	BOLT & WASHER ASSY	4	PC.
187			480-05010-04	CASING COVER	1	PC.
188			480-05010-05	BOLT M8X48	4	PC.
189			481-30002-03	VALVE CASE	1	PC.
190			480-08010-14	BOLT (WITH WASHER) M8X30	3	PC.
191			480-08010-15	CHECK VALVE	1	PC.
192			480-08010-17	COUPLING PACKING	1	PC.
193			480-08010-17	COUPLING PACKING	1	PC.
194			481-00001-08	HOSE NIPPLE	1	PC.
195			481-00001-08	HOSE NIPPLE	1	PC.
196			480-08210-23	AL COUPLING	1	PC.
197			480-08210-23	AL COUPLING	1	PC.
198			481-30001-03	BEND	1	PC.
199			481-00001-70	HEX BOLT	4	PC.
200			480-08010-20	DELIVERY FLANGE PACKING	1	PC.
201			480-08050-29	STRAINER (ABS)	1	PC.
202			480-08010-28	HOSE BAND	3	PC.
203			481-30003-01	FRAME	1	PC.
204			480-05010-23	BOLT AND WASHER ASS'Y (M8X40)	4	PC.
205			480-05010-24	FLANGE NUT (M8)	4	PC.
206			484-00026-03	LABEL(PUMP NAME)	1	PC.

Item No	Type	Ref R	Part No	Description	Qty	Unit
207			480-05010-07	WASHER	4	PC.
208			480-05010-08	SPRING WASHER	4	PC.
209			480-05010-06	SEAL PACKING	4	PC.
035A			277-23403-J3	PISTON 0.25 OVER SIZE	1	PC.
035B			277-23404-J3	PISTON 0.50 OVER SIZE	1	PC.
036A	1		277-23512-17	PISTON RING SET 0.25 OS	1	PC.
	2		277-23512-27	PISTON RING SET 0.25 OS	1	PC.
036B			277-23513-17	PISTON RING SET 0.50 OVER SIZE	1	PC.
179A			480-08010-38	SHIM (20X18X0.6MM)	1	PC.
32A			277-22502-00	CONNECTING ROD ASSY	1	PC.
		INC.		Item No. 33		

ACCESSORIES

- See catalogue or visit www.makita.ca for more optional accessories -

A01	1		277-90301-H0	ACCESSORY TOOL KIT	1	PC.
	2		277-90301-J0	ACCESSORY TOOL KIT	1	PC.
A02			123043-A	PVS SUCTION HOSE 3"X20'	1	PC.
A03			123046-A	PVS DISCHARGE HOSE 3X50'	1	PC.
A04			110004-D	WHEEL KIT (SEE PARTS BREAKDOWN 110004-D)	1	PC.
A05			421003-A	GASKET 3" FOR FEMALE HOSE FITTING	1	PC.



images added

EW320R					
17	1	277-63601-23	OIL GAUGE	2	PC.
	2	277-63601-30	OIL GAUGE	2	PC.
18	1	021-31600-20	GASKET 16DX23X1.2T	2	PC.
	2	X21-31600-20	GASKET 16DX23X1.2T	2	PC.
	3	277-63601-08	GASKET	2	PC.