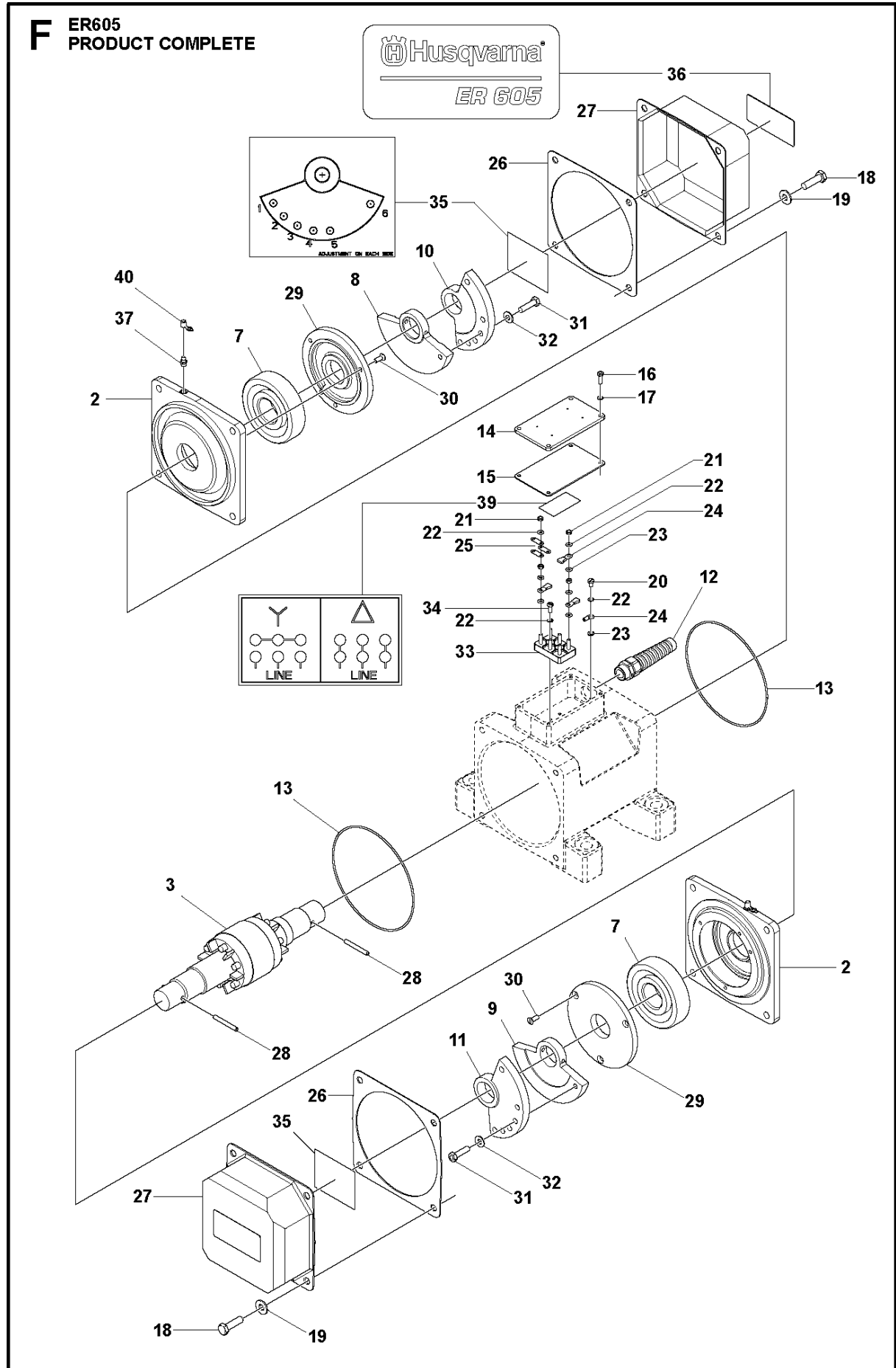




SPARE PARTS LIST

EXTERNAL VIBRATORS

ER105, ER205, ER305, ER405, ER605,
ER705, 2022-01



| Ref | Part No | Description | Remark | QTY KIT |
|-----|--------------|--------------------|-----------------------------|---------|
| 2 | 594 28 32-01 | FLANGE | | 2 |
| 3 | 595 15 30-01 | ROTOR | | 1 |
| 7 | 594 25 97-01 | BEARING | | 2 |
| 8 | 595 52 14-01 | EXCENTER | | 1 |
| 9 | 595 52 12-01 | EXCENTER | | 1 |
| 10 | 595 52 13-01 | EXCENTER | | 1 |
| 11 | 595 44 79-01 | EXCENTER | | 1 |
| 12 | 594 28 39-01 | PISTON | BS 16 | 1 |
| 13 | 595 44 83-01 | O-RING | 158.42x2.62 NBR 70 Shore | 2 |
| 14 | 594 28 21-01 | COVER | | 1 |
| 15 | 594 28 22-01 | SEAL | | 1 |
| 16 | 595 05 36-01 | SCREW | M5x16 ISO 4014 8.8 A2K | 4 |
| 17 | 594 27 35-01 | SPRING WASHER | M5 DIN 6798A | 4 |
| 18 | 594 11 86-01 | SCREW | M10x30 ISO 4014 8.8 A2K | 8 |
| 19 | 595 18 26-01 | WASHER | M10 DIN 6796 | 8 |
| 20 | 595 44 97-01 | SCREW | M5x8 ISO 1207 4.8 | 1 |
| 21 | 595 44 63-01 | NUT | M5 ISO 4032 BRASS | 12 |
| 22 | 594 83 32-01 | WASHER | M5 DIN 6798A | 9 |
| 23 | 595 18 24-01 | WASHER | M5 ISO 7090 BRASS | 16 |
| 24 | 595 44 55-01 | SPADE | | 10 |
| 25 | 594 79 05-01 | STRIP | | 3 |
| 26 | 594 28 45-01 | SEALING | | 2 |
| 27 | 594 28 35-01 | COVER | | 2 |
| 28 | 594 50 19-01 | PIN | | 2 |
| 29 | 594 55 29-01 | DEFLECTOR | | 2 |
| 30 | 595 18 06-01 | SCREW | M6x16 ISO 2009 4.8 | 6 |
| 31 | 595 34 43-01 | SCREW | M8x30 ISO 4017 8.8 A2K | 2 |
| 32 | 595 11 36-01 | WASHER | M8 ISO 10670 | 2 |
| 33 | 594 28 38-01 | BLOCK | | 1 |
| 34 | 595 18 05-01 | SCREW | M5x16 ISO 1207 4.8 ZnB | 2 |
| 35 | 594 79 24-01 | DECAL | | 2 |
| 36 | 599 36 34-09 | DECAL | | 2 |
| 37 | 594 12 68-01 | LUBRICATION NIPPLE | | 2 |
| 39 | 595 45 45-01 | CONNECTOR | | 1 |
| 40 | 595 17 91-01 | PLUG | | 2 |