

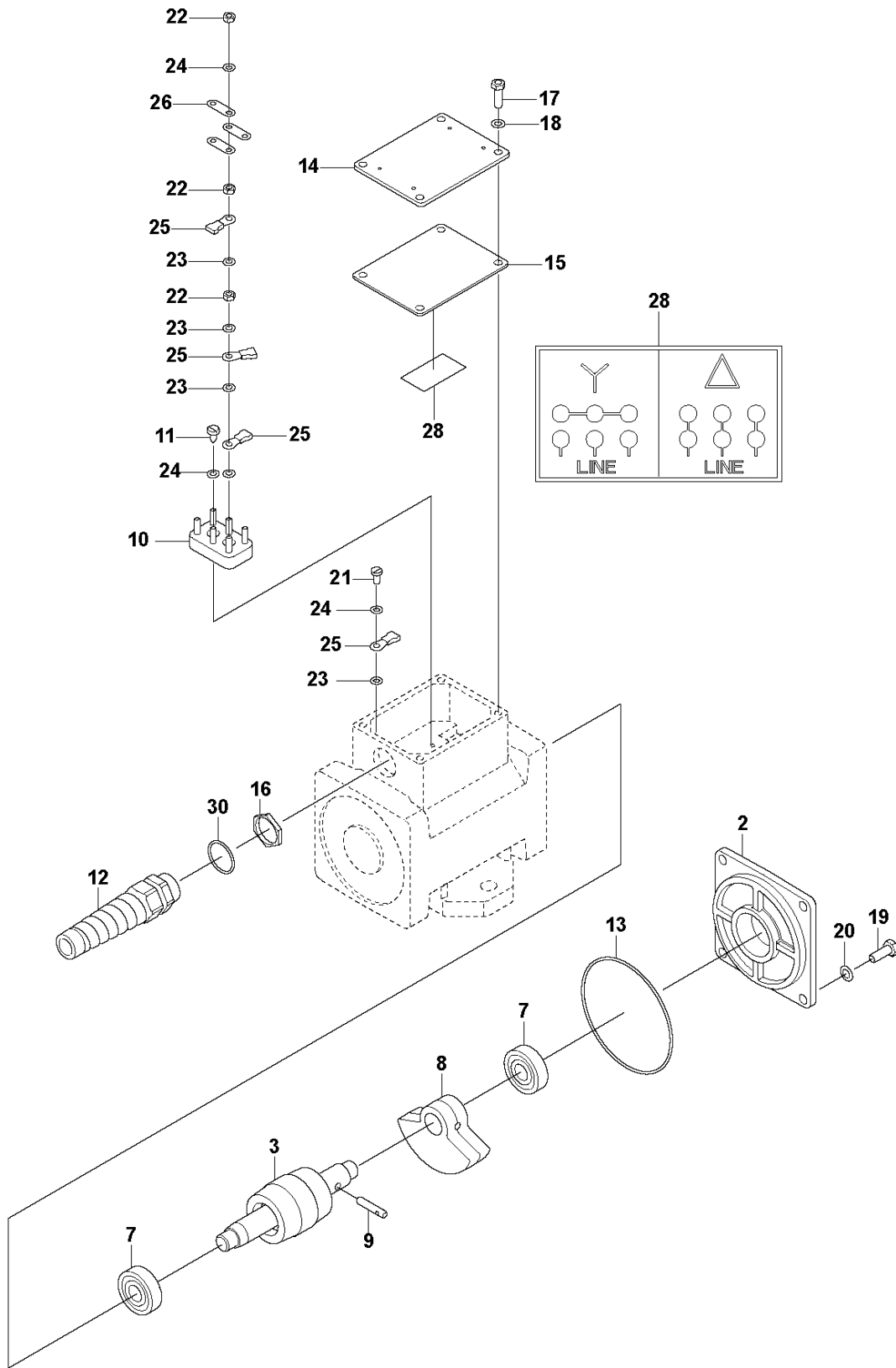


SPARE PARTS LIST

EXTERNAL VIBRATORS

ER105, ER205, ER305, ER405, ER605,
ER705, 2022-01

A ER105
PRODUCT COMPLETE



Ref	Part No	Description	Remark	QTY KIT
2	595 14 97-01	BRACKET		1
3	595 15 17-01	ROTOR		1
7	595 14 17-01	BALL BEARING	6201-ZZ	2
8	595 15 00-01	EXCENTER		1
9	595 18 29-01	PIN	8x40	1
10	594 25 55-01	CONNECTING BOX		1
11	594 83 30-01	SCREW	4.2x16 DIN 7971	2
12	594 79 22-01	NUT	BS 13.5	1
13	595 14 54-01	O-RING	75.92x1.78 NBR 70 Shore	1
14	595 15 02-01	COVER		1
15	595 15 03-01	SEAL		1
16	595 44 72-01	NUT	SM 13.5	1
17	595 05 36-01	SCREW	M5x16 ISO 4014 8.8 A2K	4
18	594 27 35-01	SPRING WASHER	M5 DIN 6798A	4
19	595 03 32-01	SCREW	M6x16 ISO 4017 8.8 A2K	4
20	595 14 94-01	WASHER	M6 DIN 6798A	4
21	594 28 61-01	SCREW	M4x8 ISO 1207 BRASS	1
22	594 79 11-01	NUT	M4 ISO 4032 BRASS	12
23	595 18 25-01	WASHER	M4 ISO 7092 BRASS	16
24	595 18 23-01	WASHER	M4 DIN 6798A	9
25	594 85 36-01	UNIT		10
26	595 44 66-01	STRIP		3
28	595 45 45-01	CONNECTOR		1
30	594 26 76-01	O-RING	14.1x1.6 NBR 70 Shore	1