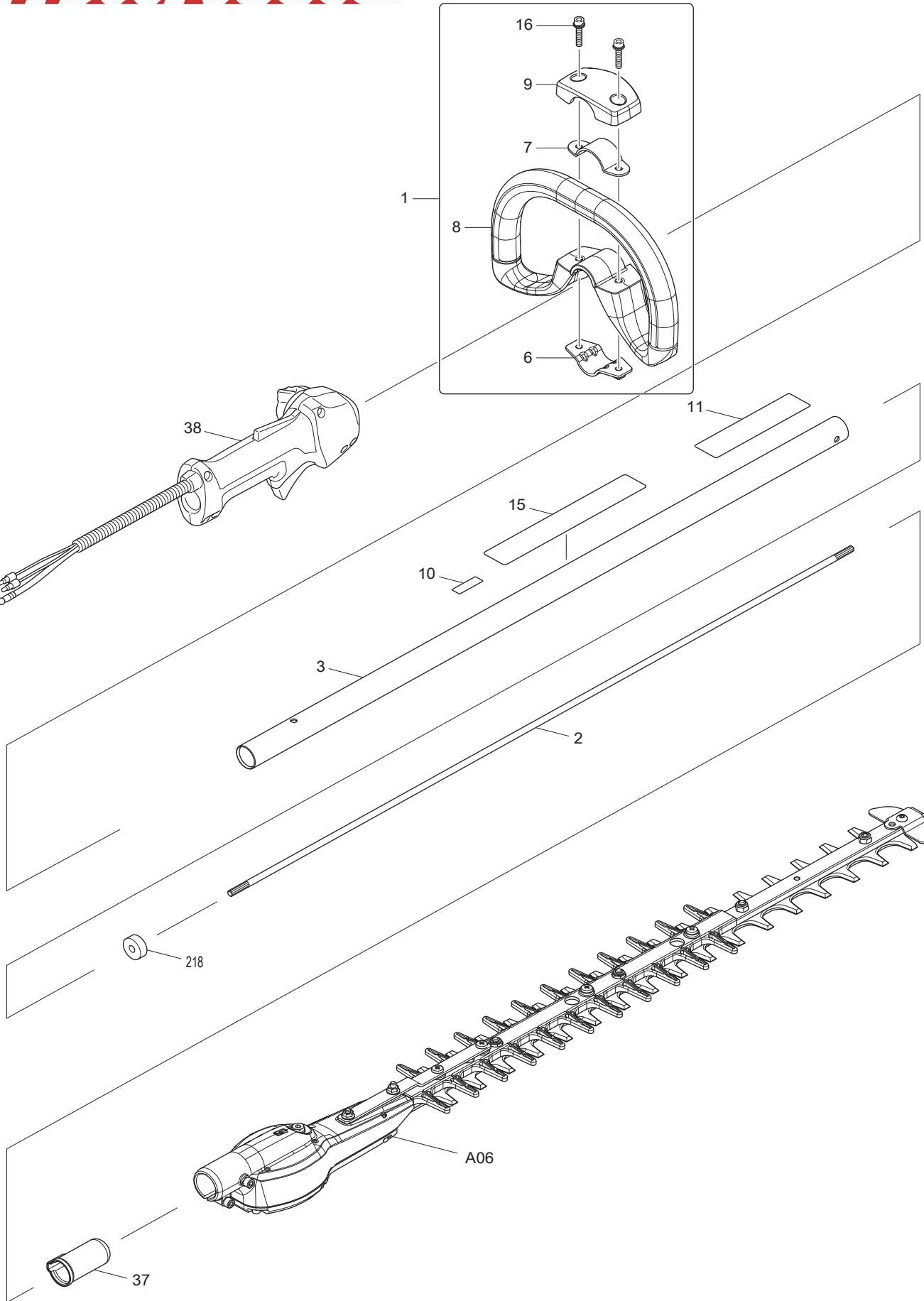
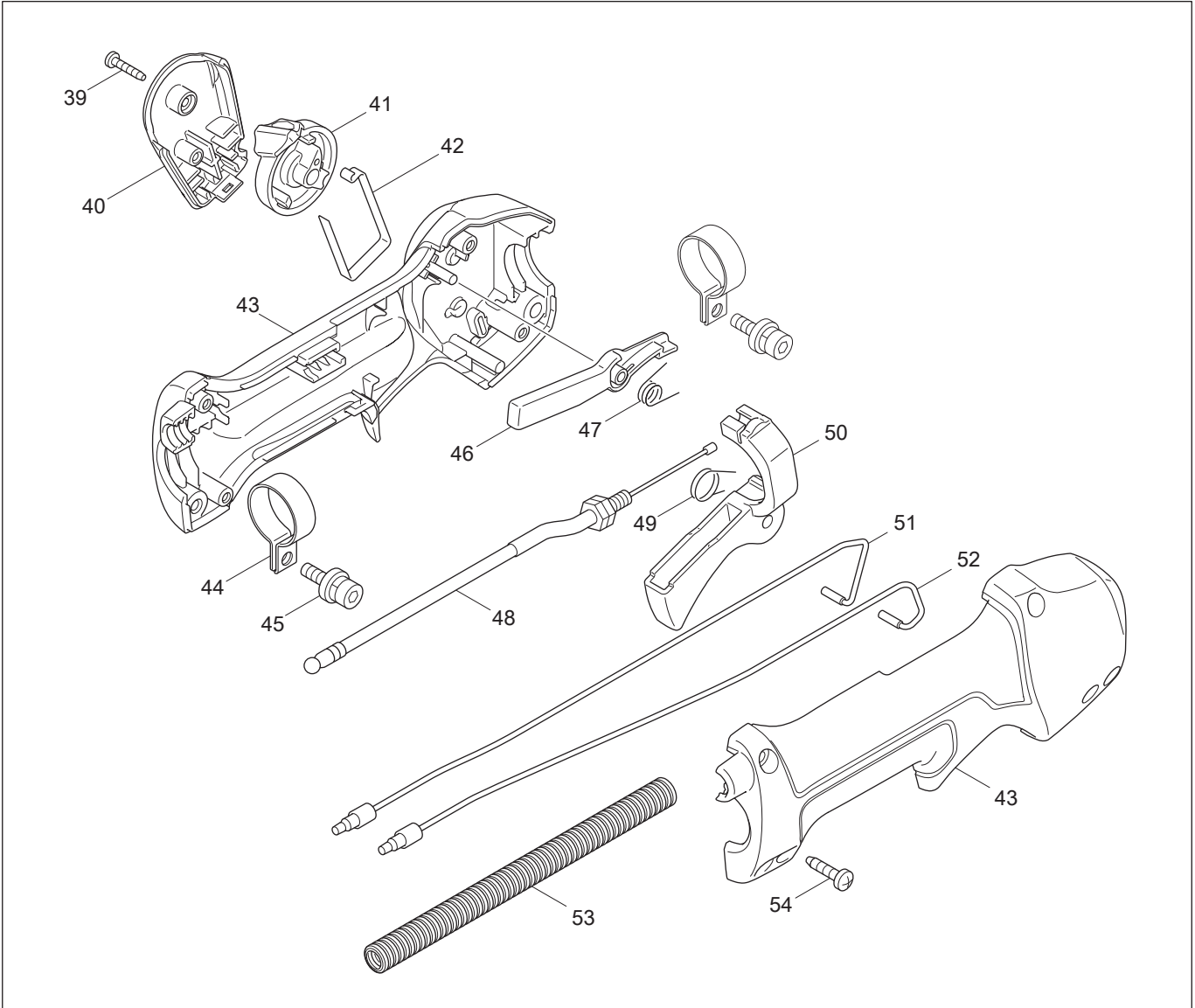


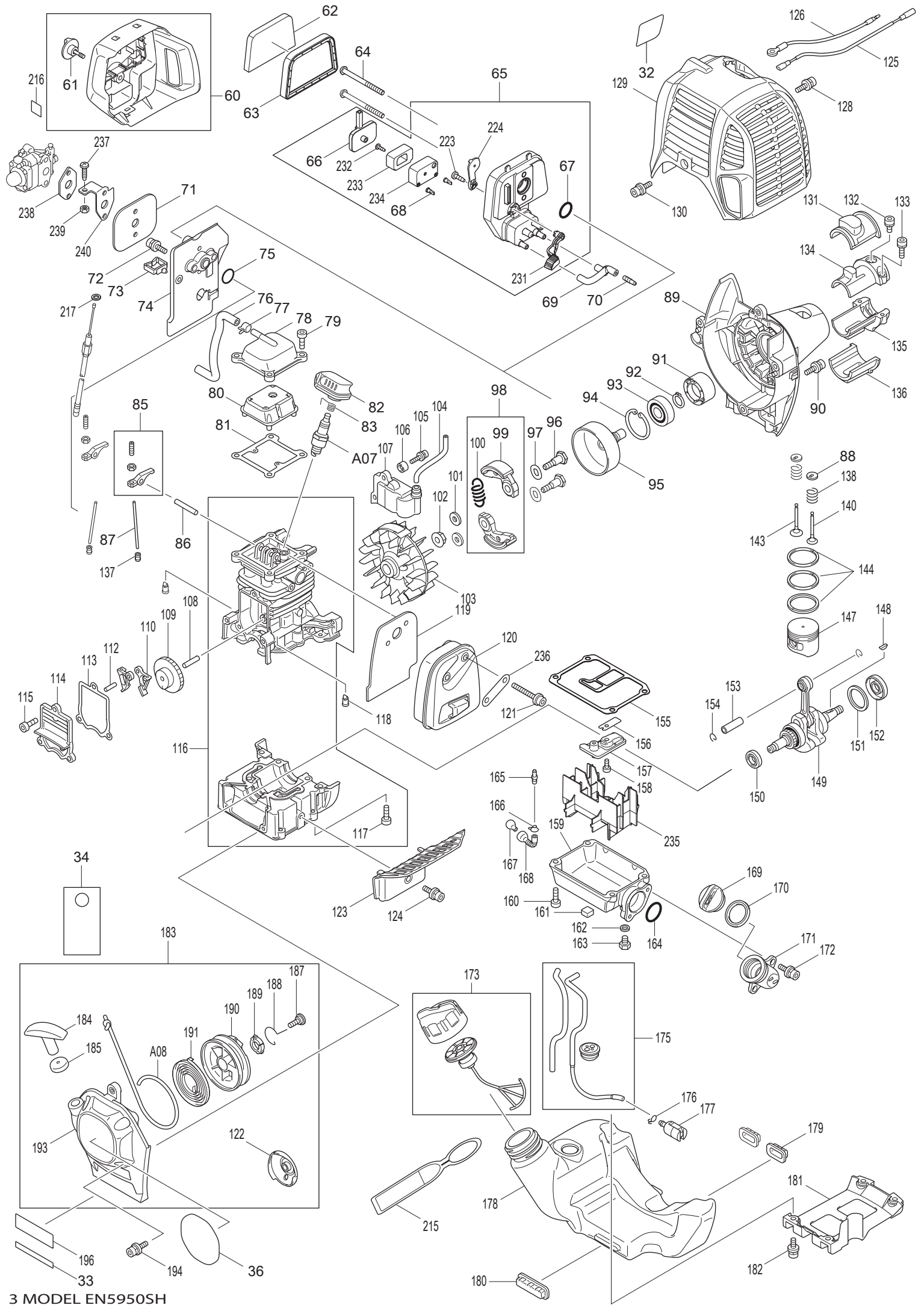


12 - 2013  
EN5950SH  
25.4CC HEDGE TRIMMER

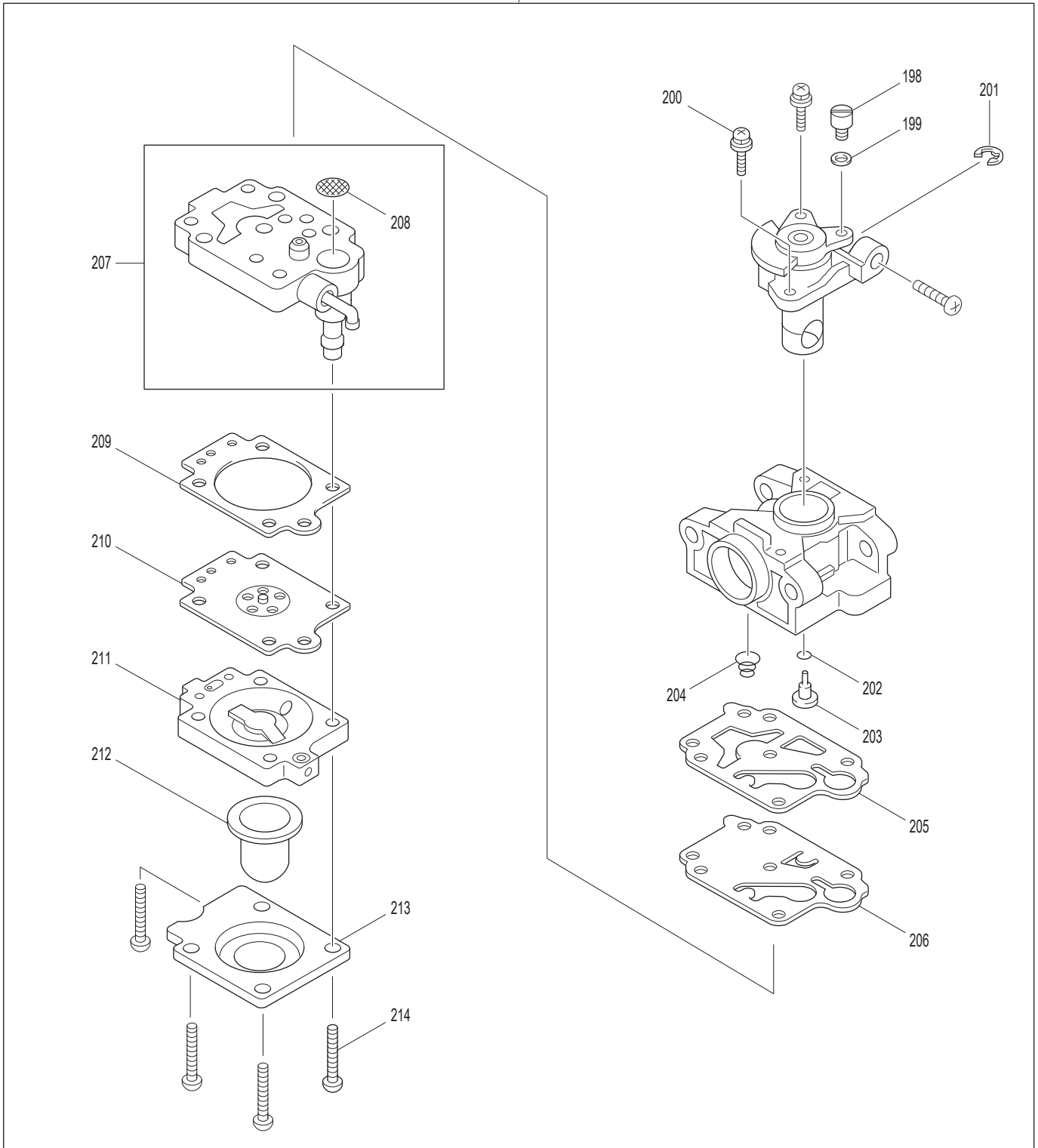


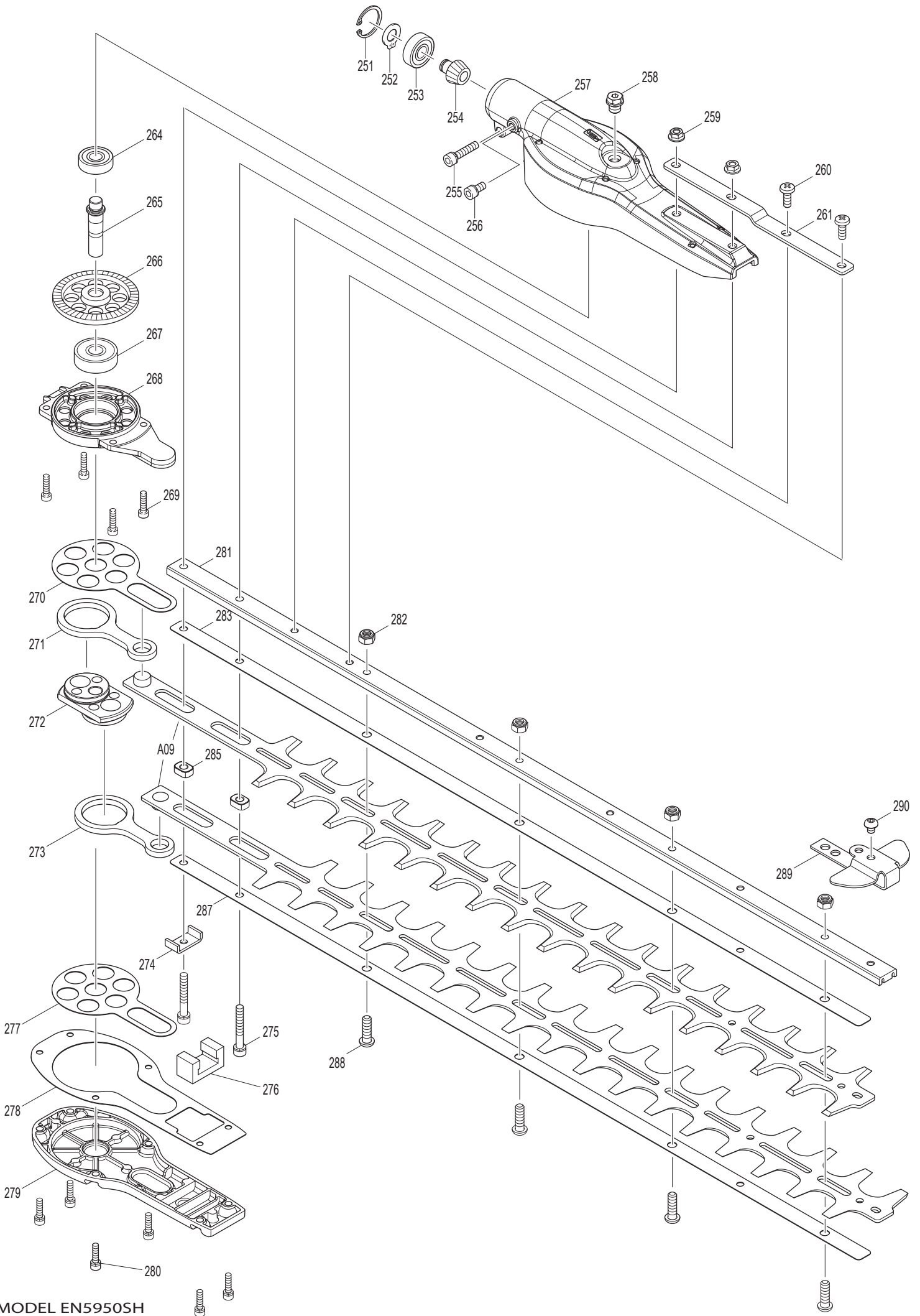


38



3 MODEL EN5950SH





| Item No | Type | Part No  | Description                         | Qty | Unit |
|---------|------|----------|-------------------------------------|-----|------|
| 1       |      | 195626-2 | LOOP HANDLE SET                     | 1   | PC.  |
| 1       | INC. |          | Item. 6-9,16                        |     |      |
| 2       |      | 326036-4 | SHAFT                               | 1   | PC.  |
| 3       |      | 141961-6 | SHAFT PIPE COMPLETE                 | 1   | PC.  |
| 6       |      | 346467-1 | CLAMP 24                            | 1   | PC.  |
| 7       |      | 346468-9 | CLAMP 33                            | 1   | PC.  |
| 8       |      | 452841-4 | LOOP HANDLE                         | 1   | PC.  |
| 9       |      | 452843-0 | CLAMP COVER B                       | 1   | PC.  |
| 10      |      | 814E64-6 | SERIAL NO. LABEL                    | 1   | PC.  |
| 11      |      | 819312-8 | MAKITA LOGO LABEL                   | 1   | PC.  |
| 15      |      | 801C54-6 | CAUTION LABEL                       | 1   | PC.  |
| 16      |      | 922243-3 | HEX. SOCKET HEAD BOLT M5X25         | 2   | PC.  |
| 32      |      | 816566-8 | GAS EMISSION APPROVAL LABEL (N/L/A) | 1   | PC.  |
| 33      |      | 816567-6 | SERIAL NO. LABEL                    | 1   | PC.  |
| 34      |      | 819432-8 | CAUTION TAG                         | 1   | PC.  |
| 36      |      | 800X34-5 | MODEL NO. LABEL F/EN5950SH          | 1   | PC.  |
| 37      |      | 424434-7 | CAP 24                              | 1   | PC.  |
| 38      | 1    | 125776-9 | CONTROL LEVER ASSEMBLY              | 1   | PC.  |
| 38      | 1    | INC.     | Item No. 39-55                      |     |      |
| 38      | 2    | 126488-7 | CONTROL LEVER ASSEMBLY              | 1   | PC.  |
| 38      | INC. |          | Item No. 39-55                      |     |      |
| 39      |      | 266130-9 | TAPPING SCREW BIND PT 3X16          | 1   | PC.  |
| 40      |      | 451595-0 | SWITCH COVER                        | 1   | PC.  |
| 41      |      | 451594-2 | SWITCH LEVER                        | 1   | PC.  |
| 42      |      | 232251-9 | LEAF SPRING                         | 1   | PC.  |
| 43      |      | 188832-6 | LEVER CASE SET                      | 1   | SET  |
| 44      |      | 346248-3 | CLAMP 24                            | 2   | PC.  |
| 45      |      | 922218-2 | H.S.H.BOLT M5X14 WITH WR            | 2   | PC.  |
| 46      |      | 451593-4 | LOCK LEVER                          | 1   | PC.  |
| 47      |      | 233541-3 | TORSION SPRING 7                    | 1   | PC.  |
| 48      |      | 168571-4 | CONTROL CABLE                       | 1   | PC.  |
| 49      |      | 233540-5 | TORSION SPRING 11                   | 1   | PC.  |
| 50      | 1    | 451592-6 | * THROTTLE LEVER                    | 1   | PC.  |
| 50      | 2    | 455313-8 | * THROTTLE LEVER                    | 1   | PC.  |
| 51      |      | 638714-7 | LEAD UNIT                           | 1   | PC.  |
| 52      |      | 638713-9 | LEAD UNIT                           | 1   | PC.  |
| 53      |      | 452071-7 | CORRUGATE TUBE                      | 1   | PC.  |
| 54      |      | 266326-2 | TAPPING SCREW 4X18                  | 4   | PC.  |
| 60      |      | 126202-1 | CLEANER COVER ASSEMBLY              | 1   | PC.  |
| 60      | INC. |          | Item. 61                            |     |      |
| 61      |      | 265791-2 | THUMB SCREW M4                      | 1   | PC.  |
| 62      |      | 443171-4 | AIR CLEANER ELEMENT                 | 1   | PC.  |
| 63      |      | 443169-1 | AIR CLEANER ELEMENT                 | 1   | PC.  |
| 64      |      | 266871-7 | H.S.BUTTON HEAD BOLT M5X60          | 2   | PC.  |
| 65      |      | 126198-6 | CLEANER PLATE ASSEMBLY              | 1   | PC.  |
| 65      | INC. |          | Item. 66-68, 223, 224, 231-234      |     |      |
| 66      |      | 162346-3 | SEPARATOR PLATE                     | 1   | PC.  |
| 67      |      | 213540-1 | O RING 15                           | 1   | PC.  |
| 68      |      | 424316-3 | CHECK VALVE                         | 2   | PC.  |
| 69      |      | 422099-9 | PIPE                                | 1   | PC.  |
| 70      |      | 325665-0 | JOINT PIPE                          | 1   | PC.  |
| 71      |      | 442153-3 | CARBURETOR GASKET                   | 1   | PC.  |
| 72      |      | 266787-6 | H.S.H.BOLT M5X18 WITH WR            | 2   | PC.  |
| 73      |      | 451825-9 | CLAMP                               | 1   | PC.  |
| 74      |      | 451729-5 | INSULATOR                           | 1   | PC.  |
| 75      |      | 213547-7 | O-RING 12                           | 1   | PC.  |
| 76      |      | 422109-2 | BREATHING PIPE                      | 1   | PC.  |
| 77      |      | 345918-1 | HOSE CLAMP                          | 1   | PC.  |

| Item No | Type | Part No  | Description                    | Qty | Unit |
|---------|------|----------|--------------------------------|-----|------|
| 78      |      | 318745-9 | ROCKER COVER OUTER             | 1   | PC.  |
| 79      |      | 922222-1 | HEX. SOCKET HEAD BOLT M5X16    | 4   | PC.  |
| 80      |      | 453860-3 | ROCKER COVER INNER             | 1   | PC.  |
| 81      |      | 162304-9 | ROCKER COVER GASKET            | 1   | PC.  |
| 82      |      | 424302-4 | PLUG CAP                       | 1   | PC.  |
| 83      |      | 324891-8 | PLUG CAP SPRING                | 1   | PC.  |
| 85      |      | 125554-7 | ROCKER ARM ASSEMBLY            | 2   | PC.  |
| 86      |      | 256200-2 | PIN 5                          | 1   | PC.  |
| 87      |      | 256865-0 | ROD 2.5                        | 2   | PC.  |
| 88      |      | 325668-4 | SPRING RETAINER                | 2   | PC.  |
| 89      |      | 451735-0 | CLUTCH CASE                    | 1   | PC.  |
| 90      |      | 922228-9 | H.S.H.BOLT M5X18 WITH WR       | 3   | PC.  |
| 91      |      | 450569-8 | SPACER                         | 1   | PC.  |
| 92      |      | 961052-5 | RETAINING RING S-12            | 1   | PC.  |
| 93      |      | 210111-5 | BALL BEARING 6201LLU           | 1   | PC.  |
| 94      |      | 962151-6 | RETAINING RING R-32            | 1   | PC.  |
| 95      |      | 168809-7 | CLUTCH DRUM                    | 1   | PC.  |
| 96      |      | 266864-4 | SHOULDER HEX. BOLT M6X25       | 2   | PC.  |
| 97      |      | 267817-6 | WASHER 8                       | 2   | PC.  |
| 98      |      | 126135-0 | CLUTCH ASSEMBLY                | 1   | PC.  |
| 98      | INC. |          | Item. 99, 100                  |     |      |
| 99      | 1    | 168498-8 | CLUTCH SHOE                    | 2   | PC.  |
|         | 2    | 161332-1 | CLUTCH SHOE                    | 2   | PC.  |
| 100     |      | 231881-3 | TENSION SPRING 7               | 1   | PC.  |
| 101     |      | 267812-6 | WASHER 6                       | 2   | PC.  |
| 102     |      | 264039-9 | CONED DISK SPRING HEXNUT M8X13 | 1   | PC.  |
| 103     |      | 318569-3 | FLYWHEEL                       | 1   | PC.  |
| 104     |      | 444021-6 | TUBE                           | 1   | PC.  |
| 105     |      | 266602-4 | HEX. SOCKET HEAD BOLT M4X20    | 2   | PC.  |
| 106     |      | 452049-0 | SPACER                         | 2   | PC.  |
| 107     |      | 168559-4 | IGNITION COIL                  | 1   | PC.  |
| 108     |      | 268238-5 | PIN 5                          | 1   | PC.  |
| 109     |      | 125552-1 | CAM GEAR ASSEMBLY              | 1   | PC.  |
| 110     |      | 313169-4 | CAM LIFTER                     | 2   | PC.  |
| 112     |      | 268239-3 | PIN 4                          | 1   | PC.  |
| 113     |      | 162274-2 | CAM GEAR COVER GASKET          | 1   | PC.  |
| 114     |      | 318443-5 | CAM GEAR COVER                 | 1   | PC.  |
| 115     |      | 922222-1 | HEX. SOCKET HEAD BOLT M5X16    | 3   | PC.  |
| 116     |      | 135478-9 | CYLINDER BLOCK ASSEMBLY        | 1   | PC.  |
| 116     | INC. |          | Item. 88, 117, 118             |     |      |
| 117     |      | 922222-1 | HEX. SOCKET HEAD BOLT M5X16    | 6   | PC.  |
| 118     |      | 424201-0 | CHECK VALVE                    | 2   | PC.  |
| 119     |      | 346331-6 | MUFFLER GASKET                 | 1   | PC.  |
| 120     |      | 168554-4 | EXHAUST MUFFLER                | 1   | PC.  |
| 121     |      | 266440-4 | HEX SOCKET HEAD BOLT M5X40     | 2   | PC.  |
| 122     |      | 168483-1 | PULLEY                         | 1   | PC.  |
| 123     |      | 451731-8 | MUFFLER PLATE                  | 1   | PC.  |
| 124     |      | 922218-2 | H.S.H.BOLT M5X14 WITH WR       | 1   | PC.  |
| 125     |      | 638707-4 | LEAD UNIT                      | 1   | PC.  |
| 126     |      | 638708-2 | LEAD UNIT                      | 1   | PC.  |
| 128     |      | 922218-2 | H.S.H.BOLT M5X14 WITH WR       | 1   | PC.  |
| 129     |      | 453266-5 | CYLINDER COVER                 | 1   | PC.  |
| 130     |      | 922218-2 | H.S.H.BOLT M5X14 WITH WR       | 1   | PC.  |
| 131     |      | 424082-2 | BUFFER RUBBER                  | 1   | PC.  |
| 132     |      | 922211-6 | HEX. SOCKET HEAD BOLT M5X12    | 1   | PC.  |
| 133     |      | 922226-3 | HEX. SOCKET HEAD BOLT M5X18    | 2   | PC.  |
| 134     |      | 318249-1 | PIPE HOLDER                    | 1   | PC.  |
| 135     |      | 318250-6 | PIPE HOLDER                    | 1   | PC.  |

| Item No | Type | Part No  | Description                                     | Qty | Unit |
|---------|------|----------|-------------------------------------------------|-----|------|
| 136     |      | 424083-0 | BUFFER RUBBER                                   | 1   | PC.  |
| 137     |      | 424200-2 | SPACER                                          | 2   | PC.  |
| 138     |      | 234108-0 | COMPRESSION SPRING 9                            | 2   | PC.  |
| 140     | 1    | 325669-2 | EXHAUST VALVE                                   | 1   | PC.  |
|         | 2    | 326366-3 | EXHAUST VALVE                                   | 1   | PC.  |
| 143     | 1    | 325670-7 | INTAKE VALVE                                    | 1   | PC.  |
|         | 2    | 326367-1 | INTAKE VALVE                                    | 1   | PC.  |
| 144     |      | 195145-8 | PISTON RING SET                                 | 1   | PC.  |
| 147     |      | 318441-9 | PISTON                                          | 1   | PC.  |
| 148     |      | 254040-2 | WOODRUFF KEY 3                                  | 1   | PC.  |
| 149     |      | 126359-8 | CRANK SHAFT ASSEMBLY                            | 1   | PC.  |
| 149     | INC. |          | Item. 150-152                                   |     |      |
| 150     |      | 213148-1 | OIL SEAL 10                                     | 1   | PC.  |
| 151     |      | 267400-9 | FLAT WASHER 23                                  | 1   | PC.  |
| 152     |      | 213147-3 | OIL SEAL 12                                     | 1   | PC.  |
| 153     |      | 257781-9 | PISTON PIN                                      | 1   | PC.  |
| 154     |      | 233976-8 | CLIP                                            | 2   | PC.  |
| 155     |      | 162345-5 | OIL CASE GASKET                                 | 1   | PC.  |
| 156     |      | 346083-9 | LEAD VALVE                                      | 1   | PC.  |
| 157     |      | 318910-0 | RETAINER PLATE                                  | 1   | PC.  |
| 158     |      | 922112-8 | HEX. SOCKET HEAD BOLT M4X10                     | 1   | PC.  |
| 159     |      | 318588-9 | OIL CASE                                        | 1   | PC.  |
| 160     |      | 922222-1 | HEX. SOCKET HEAD BOLT M5X16                     | 4   | PC.  |
| 161     |      | 424344-8 | DAMPER                                          | 1   | PC.  |
| 162     |      | 346305-7 | GASKET                                          | 1   | PC.  |
| 163     |      | 266611-3 | HEX BOLT M6X8                                   | 1   | PC.  |
| 164     |      | 213548-5 | O-RING 20                                       | 1   | PC.  |
| 165     |      | 325665-0 | JOINT PIPE                                      | 1   | PC.  |
| 166     |      | 282020-8 | * HOSE CLAMP (Type 2: A component of #125805-8) | 1   | PC.  |
| 167     |      | 325666-8 | * OIL WEIGHT(Type 2: A component of #125805-8)  | 1   | PC.  |
| 168     | 1    | 424301-6 | * OIL TUBE                                      | 1   | PC.  |
|         | 2    | 125805-8 | * OIL TUBE ASSEMBLY                             | 1   | PC.  |
|         | INC. | 424301-6 | * OIL TUBE                                      | 1   | PC.  |
|         | INC. |          | * Item No. 166, 167                             |     |      |
| 169     |      | 452047-4 | OIL CAP                                         | 1   | PC.  |
| 170     |      | 424343-0 | GASKET                                          | 1   | PC.  |
| 171     |      | 452048-2 | OIL PIPE                                        | 1   | PC.  |
| 172     |      | 922218-2 | H.S.H.BOLT M5X14 WITH WR                        | 2   | PC.  |
| 173     |      | 125728-0 | FUEL TANK CAP ASSEMBLY                          | 1   | PC.  |
| 175     |      | 168775-8 | TUBE COMPLETE                                   | 1   | PC.  |
| 176     |      | 282020-8 | HOSE CLAMP                                      | 1   | PC.  |
| 177     |      | 163518-3 | GASOLINE FILTER                                 | 1   | PC.  |
| 178     | 1    | 454010-3 | * FUEL TANK                                     | 1   | PC.  |
|         | 2    | 123419-7 | * FUEL TANK ASSEMBLY                            | 1   | PC.  |
|         | INC. |          | * Item No. 173, 175-177                         |     |      |
| 179     |      | 424080-6 | BUFFER RUBBER                                   | 2   | PC.  |
| 180     |      | 424081-4 | BUFFER RUBBER                                   | 1   | PC.  |
| 181     |      | 451737-6 | TANK GUARD                                      | 1   | PC.  |
| 182     |      | 922218-2 | H.S.H.BOLT M5X14 WITH WR                        | 4   | PC.  |
| 183     |      | 195308-6 | RECOIL STARTER SET                              | 1   | PC.  |
| 183     | INC. |          | Item. 122,184,185,187-191,A08, 193              |     |      |
| 184     |      | 424319-7 | STARTER KNOB                                    | 1   | PC.  |
| 185     |      | 424359-5 | DAMPER                                          | 1   | PC.  |
| 187     |      | 266585-8 | TAPPING SCREW 5X12                              | 1   | PC.  |
| 188     |      | 325923-4 | SWING ARM                                       | 1   | PC.  |
| 189     |      | 451938-6 | COLLAR                                          | 1   | PC.  |
| 190     |      | 451937-8 | REEL                                            | 1   | PC.  |
| 191     |      | 232258-5 | SPIRAL SPRING                                   | 1   | PC.  |



| Item No | Type | Part No    | Description                    | Qty | Unit |
|---------|------|------------|--------------------------------|-----|------|
| 193     |      | 451733-4   | STARTER CASE                   | 1   | PC.  |
| 194     |      | 922223-9   | H.S.H.BOLT M5X16 WITH WR       | 4   | PC.  |
| 196     |      | 816565-0   | MAKITA LOGO LABEL              | 1   | PC.  |
| 197     |      | 168762-7   | CARBURETOR                     | 1   | PC.  |
| 197     | INC. |            | Item. 198-207, 209-214         |     |      |
| 198     |      | 325922-6   | SWIVEL                         | 1   | PC.  |
| 199     |      | 413140-9   | WASHER                         | 1   | PC.  |
| 200     | 1    | 266581-6   | PAN HEAD SCREW M3X8 WITH W     | 2   | PC.  |
|         | 2    | WJ00096364 | SCREW M3X8 WITH WASHER         | 2   | PC.  |
| 201     |      | 257964-1   | STOP RING E-3                  | 1   | PC.  |
| 202     |      | 213538-8   | O RING 2                       | 1   | PC.  |
| 203     |      | 325985-2   | JET                            | 1   | PC.  |
| 204     |      | 234183-6   | CONICAL COMPRESSION SPRING 5-9 | 1   | PC.  |
| 205     |      | 442155-9   | PUMP GASKET                    | 1   | PC.  |
| 206     |      | 168575-6   | PUMP DIAPHRAGM                 | 1   | PC.  |
| 207     |      | 141737-1   | PUMP BODY                      | 1   | PC.  |
| 207     | INC. |            | Item. 208                      |     |      |
| 208     |      | 352021-1   | INLET SCREEN                   | 1   | PC.  |
| 209     |      | 442154-1   | METERING DIAPHRAGM GASKET      | 1   | PC.  |
| 210     |      | 168620-7   | METERING DIAPHRAGM             | 1   | PC.  |
| 211     |      | 140438-8   | AIR PURGE BODY                 | 1   | PC.  |
| 212     |      | 424314-7   | PRIMER PUMP                    | 1   | PC.  |
| 213     |      | 346270-0   | PRIMER PUMP COVER              | 1   | PC.  |
| 214     |      | 266582-4   | TAPPING SCREW 3X24             | 4   | PC.  |
| 215     |      | 810455-9   | CAUTION PLATE                  | 1   | PC.  |
| 216     |      | 800F73-7   | INDICATION LABEL               | 1   | PC.  |
| 217     |      | 941151-9   | FLAT WASHER 6                  | 1   | PC.  |
| 218     |      | 443170-6   | FELT                           | 1   | PC.  |
| 223     |      | 266427-6   | TAPPING SCREW 4X12             | 1   | PC.  |
| 224     |      | 452219-1   | CHOKE PLATE                    | 1   | PC.  |
| 231     |      | 452220-6   | CHOKE LEVER                    | 1   | PC.  |
| 232     |      | 266007-8   | TAPPING SCREW BIND PT 3X10     | 1   | PC.  |
| 233     |      | 352020-3   | SEPARATOR MESH                 | 1   | PC.  |
| 234     |      | 453865-3   | SEPARATOR CASE                 | 1   | PC.  |
| 235     |      | 453862-9   | OIL CASE PLATE                 | 1   | PC.  |
| 236     |      | 346732-8   | PLATE                          | 1   | PC.  |
| 237     |      | 266927-6   | TORX SOCKET HEAD BOLT M4X20    | 1   | PC.  |
| 238     |      | 442199-9   | GASKET                         | 1   | PC.  |
| 239     |      | 931102-0   | HEX. NUT M4                    | 1   | PC.  |
| 240     |      | 346730-2   | HOLDER, ANGLE 100 DEGREE       | 1   | PC.  |
| 251     |      | 962103-7   | RETAINING RING R-24            | 1   | PC.  |
| 252     |      | 961005-4   | RETAINING RING S-9             | 1   | PC.  |
| 253     |      | 210049-4   | BALL BEARING 609ZZ             | 1   | PC.  |
| 254     |      | 227608-7   | SPIRAL BEVEL GEAR 10           | 1   | PC.  |
| 255     |      | 922241-7   | HEX. SOCKET HEAD BOLT M5X25    | 1   | PC.  |
| 256     |      | 922211-6   | HEX. SOCKET HEAD BOLT M5X12    | 1   | PC.  |
| 257     |      | 141941-2   | GEAR HOUSING COMPLETE          | 1   | PC.  |
| 257     | INC. | 263002-9   | RUBBER PIN 4                   | 1   | PC.  |
| 258     |      | 266818-1   | HEX. SOCKET HEX. BOLT M8X8     | 1   | PC.  |
| 259     |      | 264090-9   | HEX. NUT M5-8                  | 2   | PC.  |
| 260     |      | 266832-7   | BINDING HEAD SCREW M5X8        | 2   | PC.  |
| 261     |      | 346662-3   | PLATE                          | 1   | PC.  |
| 264     |      | 210049-4   | BALL BEARING 609ZZ             | 1   | PC.  |
| 265     |      | 326257-8   | SPINDLE                        | 1   | PC.  |
| 266     |      | 227609-5   | SPIRAL BEVEL GEAR 47           | 1   | PC.  |
| 267     |      | 211067-5   | BALL BEARING 6200ZZ            | 1   | PC.  |
| 268     |      | 318972-8   | BEARING HOUSING                | 1   | PC.  |
| 269     |      | 265490-6   | HEX. SOCKET HEAD BOLT M4X16    | 4   | PC.  |

| Item No | Type | Part No  | Description                 | Qty | Unit |
|---------|------|----------|-----------------------------|-----|------|
| 270     |      | 346658-4 | PLATE                       | 1   | PC.  |
| 271     |      | 346251-4 | CONNECTING ROD              | 1   | PC.  |
| 272     |      | 332055-0 | CRANK                       | 1   | PC.  |
| 273     |      | 346251-4 | CONNECTING ROD              | 1   | PC.  |
| 274     |      | 346256-4 | HOLDER                      | 1   | PC.  |
| 275     |      | 922256-4 | HEX. SOCKET HEAD BOLT M5X35 | 2   | PC.  |
| 276     |      | 443159-4 | SEAL                        | 1   | PC.  |
| 277     |      | 346658-4 | PLATE                       | 1   | PC.  |
| 278     |      | 423457-2 | GASKET                      | 1   | PC.  |
| 279     |      | 318973-6 | UNDER COVER                 | 1   | PC.  |
| 280     |      | 922126-7 | HEX. SOCKET HEAD BOLT M4X16 | 6   | PC.  |
| 281     |      | 332059-2 | GUIDE BAR                   | 1   | PC.  |
| 282     |      | 264089-4 | HEX. LOCK NUT M6-10         | 4   | PC.  |
| 283     |      | 346666-5 | PLATE                       | 1   | PC.  |
| 285     |      | 313195-3 | SLEEVE 5                    | 2   | PC.  |
| 287     |      | 346666-5 | PLATE                       | 1   | PC.  |
| 288     |      | 266824-6 | H.S. BUTTON HEAD BOLT M6X20 | 4   | PC.  |
| 289     |      | 346629-1 | END COVER                   | 1   | PC.  |
| 290     |      | 266075-1 | HEX. SOCKET HEAD BOLT M5X6  | 1   | PC.  |

**ACCESSORIES**

- See Catalogue or visit [www.makita.ca](http://www.makita.ca) for more accessories -

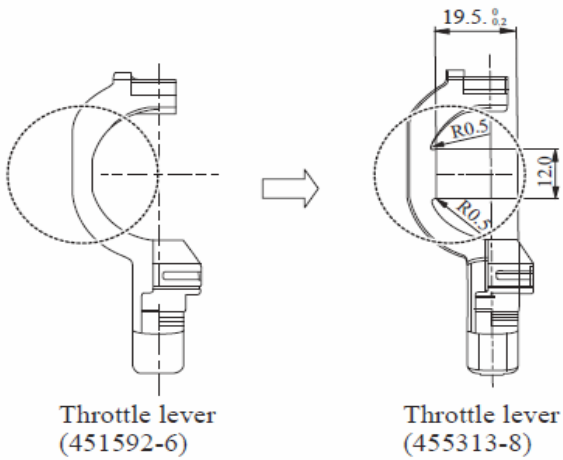
|     |      |          |                                  |   |     |
|-----|------|----------|----------------------------------|---|-----|
| A01 |      | -----    | OIL SET                          | 1 | PC. |
| A02 |      | 782233-6 | BOX DRIVER 10-16                 | 1 | PC. |
| A03 |      | 783223-2 | WRENCH 4                         | 1 | PC. |
| A04 |      | 454278-1 | BLADE COVER                      | 1 | PC. |
| A05 |      | 831304-7 | ACCESSORY BAG                    | 1 | PC. |
| A06 |      | 126281-9 | HEDGE TRIMMER HEAD ASS'Y         | 1 | PC. |
| A06 | INC. |          | Item No. 251 -285, 287-190 & A09 | 1 | PC. |
| A07 |      | 168534-0 | SPARK PLUG                       | 1 | PC. |
| A08 |      | 444023-2 | STARTER ROPE                     | 1 | PC. |
| A09 |      | 725184-0 | SHEAR BLADE                      | 2 | PC. |

**SERVICE CHANGES**

**1. Changes on Throttle lever**

(TI#A2941)

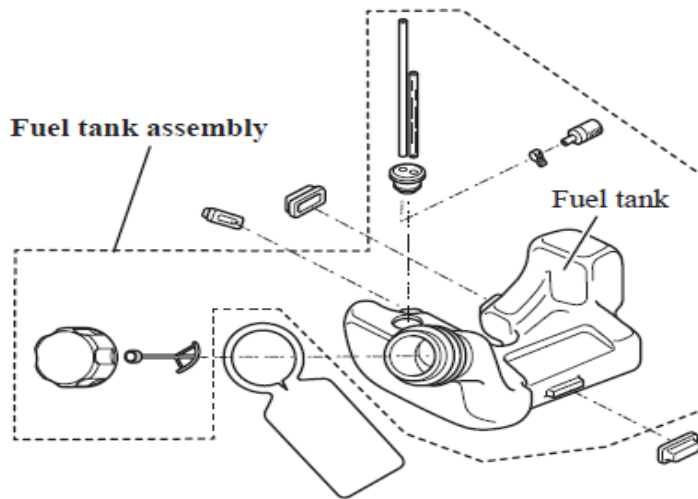
| Item No. | Description    | Type 1   | Type 2   |
|----------|----------------|----------|----------|
| 50       | Throttle lever | 451592-6 | 455313-8 |



**2. Changes on Fuel Tank**

(TI#A7689)

| Item No. | Description                     | Type 1   | Type 2                |
|----------|---------------------------------|----------|-----------------------|
| 178      | Fuel Tank >> Fuel Tank Assembly | 454010-3 | 123419-7              |
| Inc.     |                                 | -----    | Item No. 173, 175-177 |



**3. Changes on OIL TUBE**

(TI#Y07151)

| Item No. | Description       | Type 1   | Type 2               |
|----------|-------------------|----------|----------------------|
| 166      | HOSE CLAMP        | 282020-8 | Included in 125805-8 |
| 167      | OIL WEIGHT        | 325666-8 | Included in 125805-8 |
| 168      | OIL TUBE ASSEMBLY | -----    | 125805-8             |
|          | OIL TUBE          | 424301-6 | Included in 125805-8 |