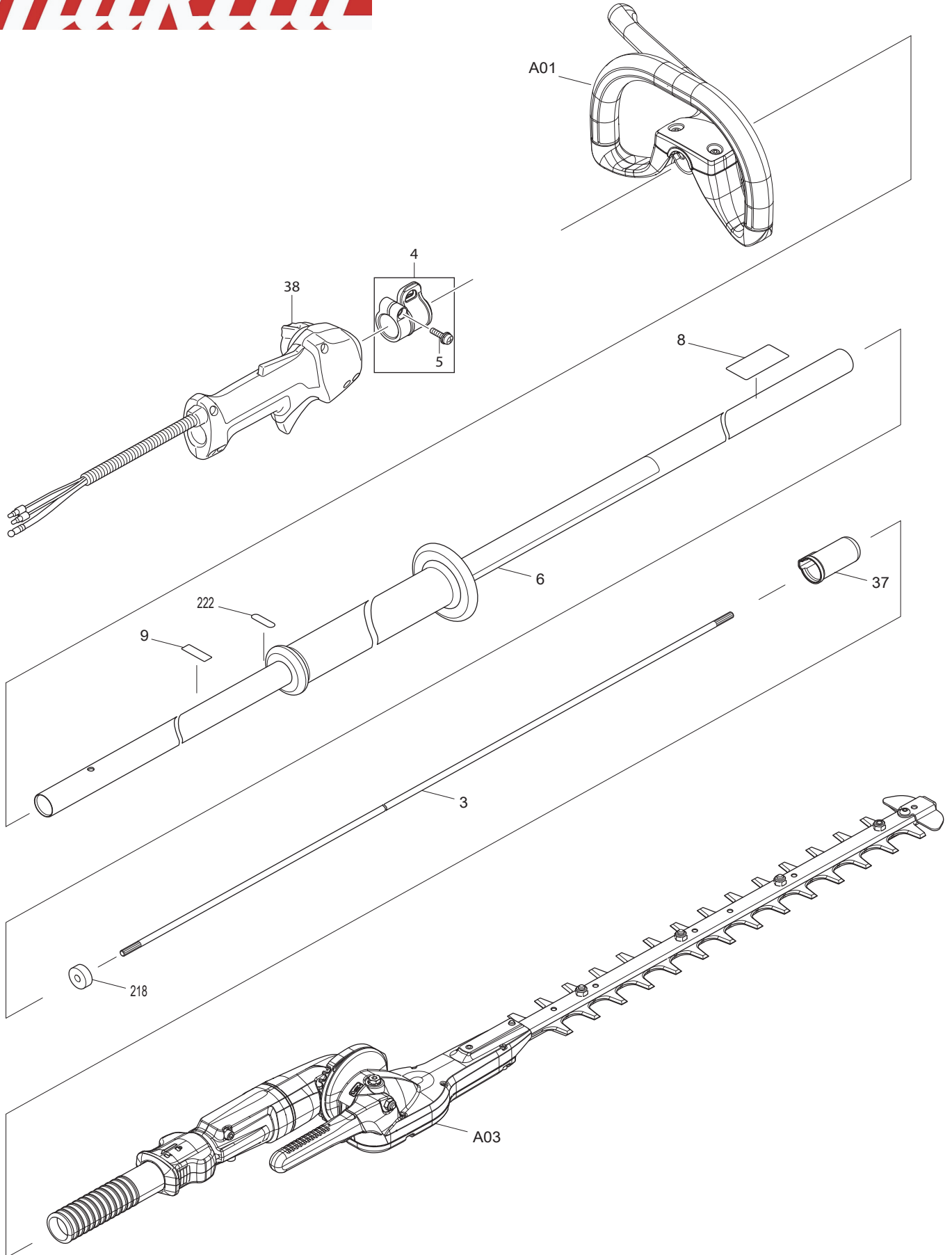
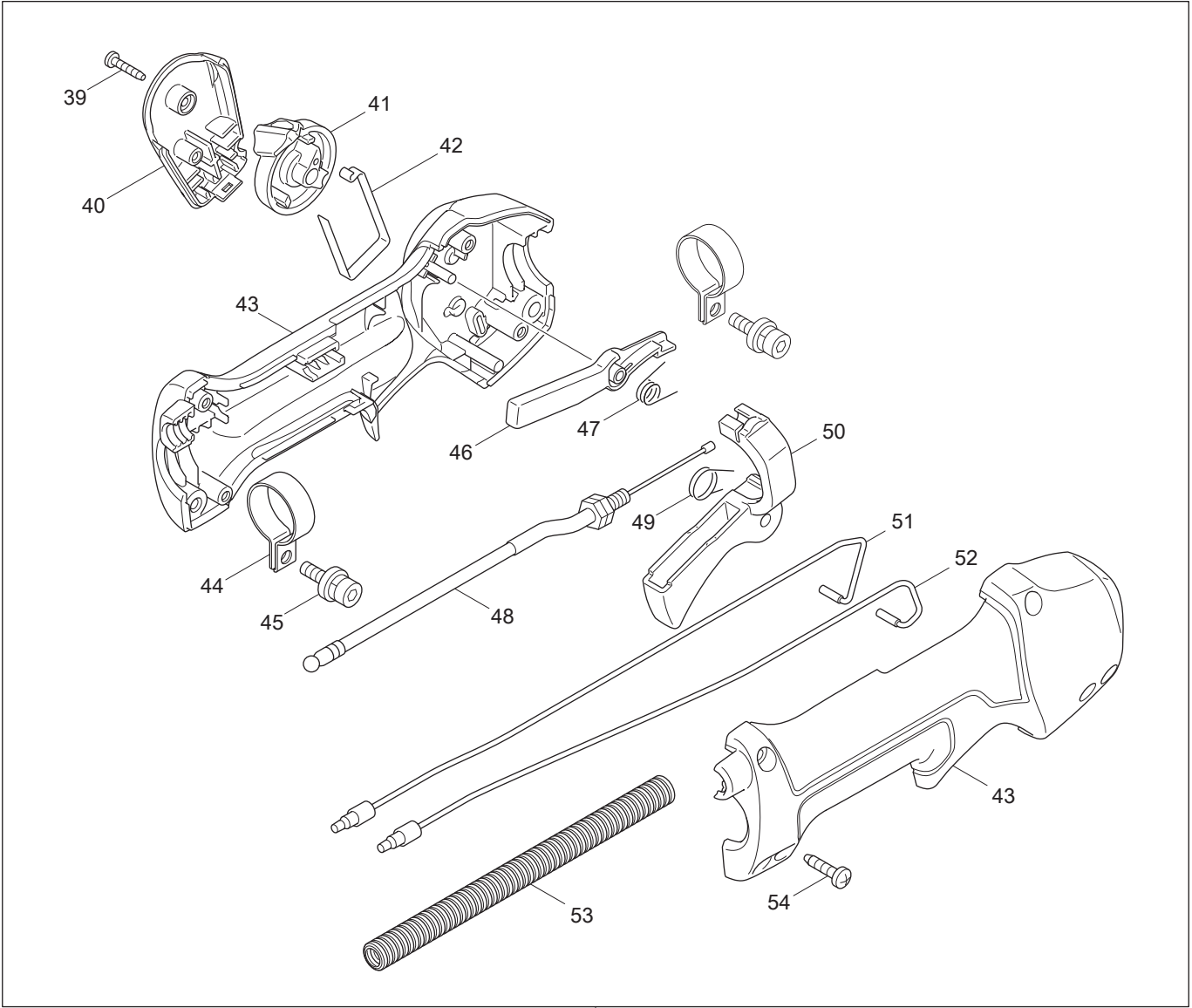


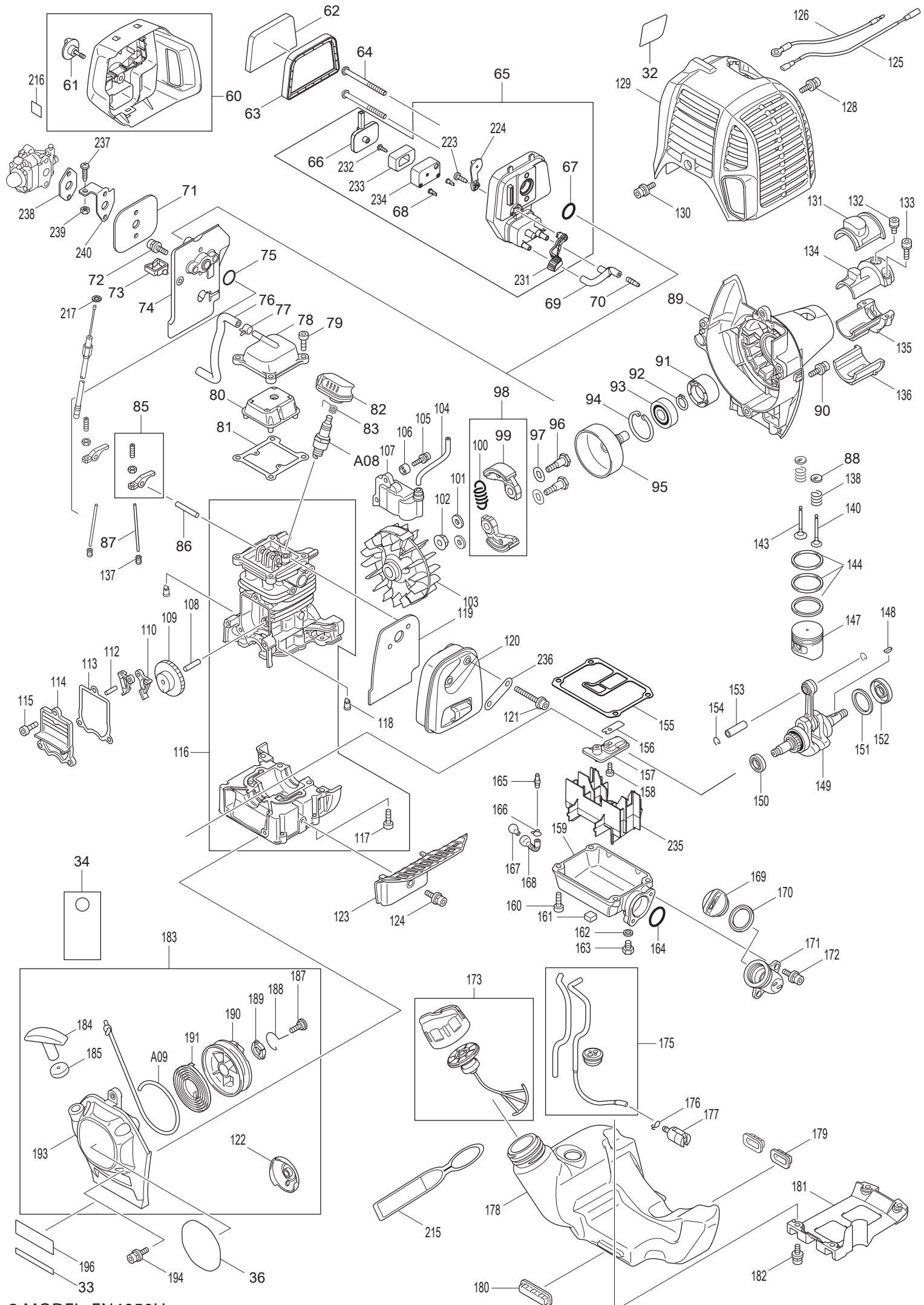


12 - 2013
EN4950H
25.4CC POLE HEDGE TRIMMER

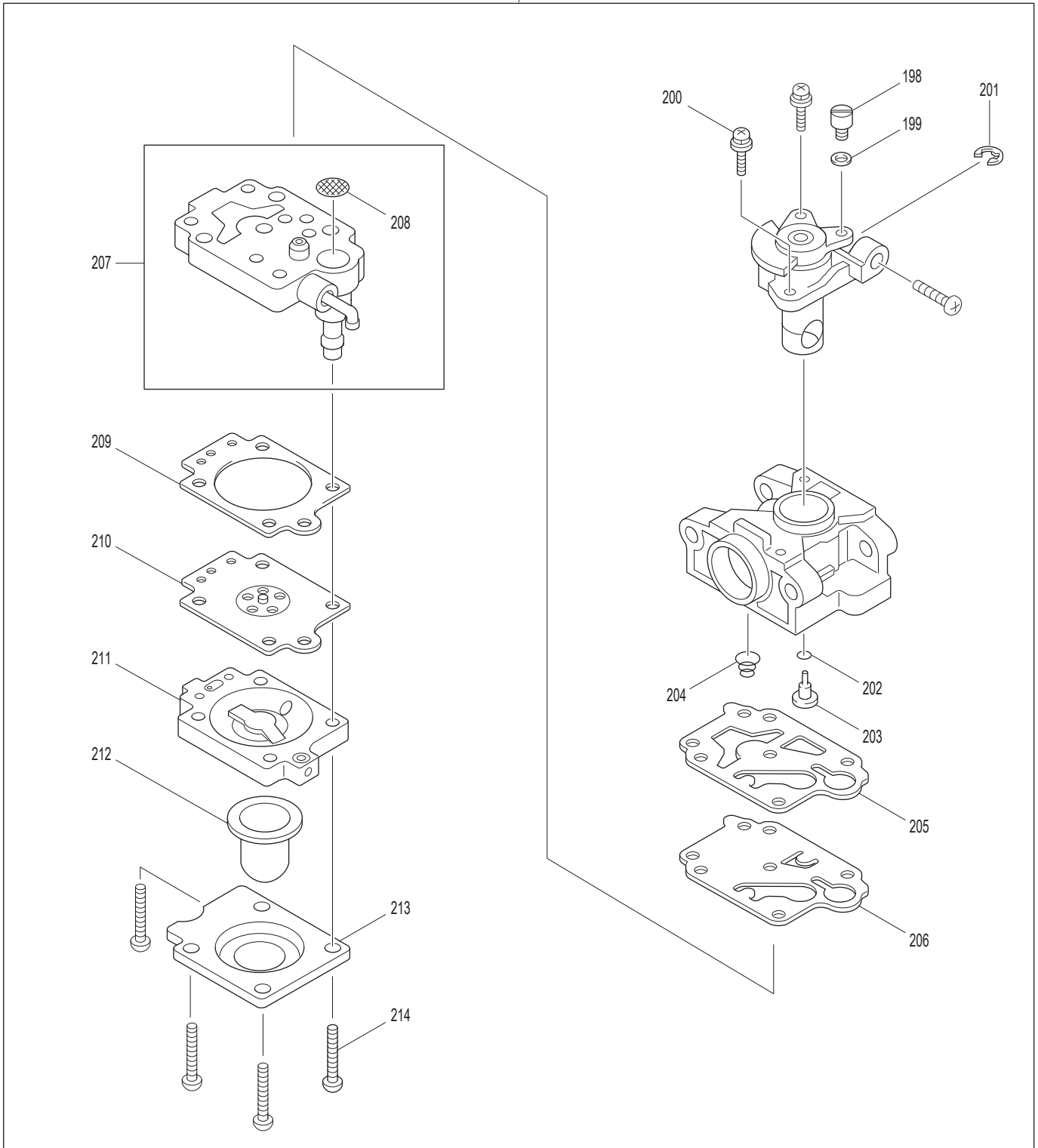


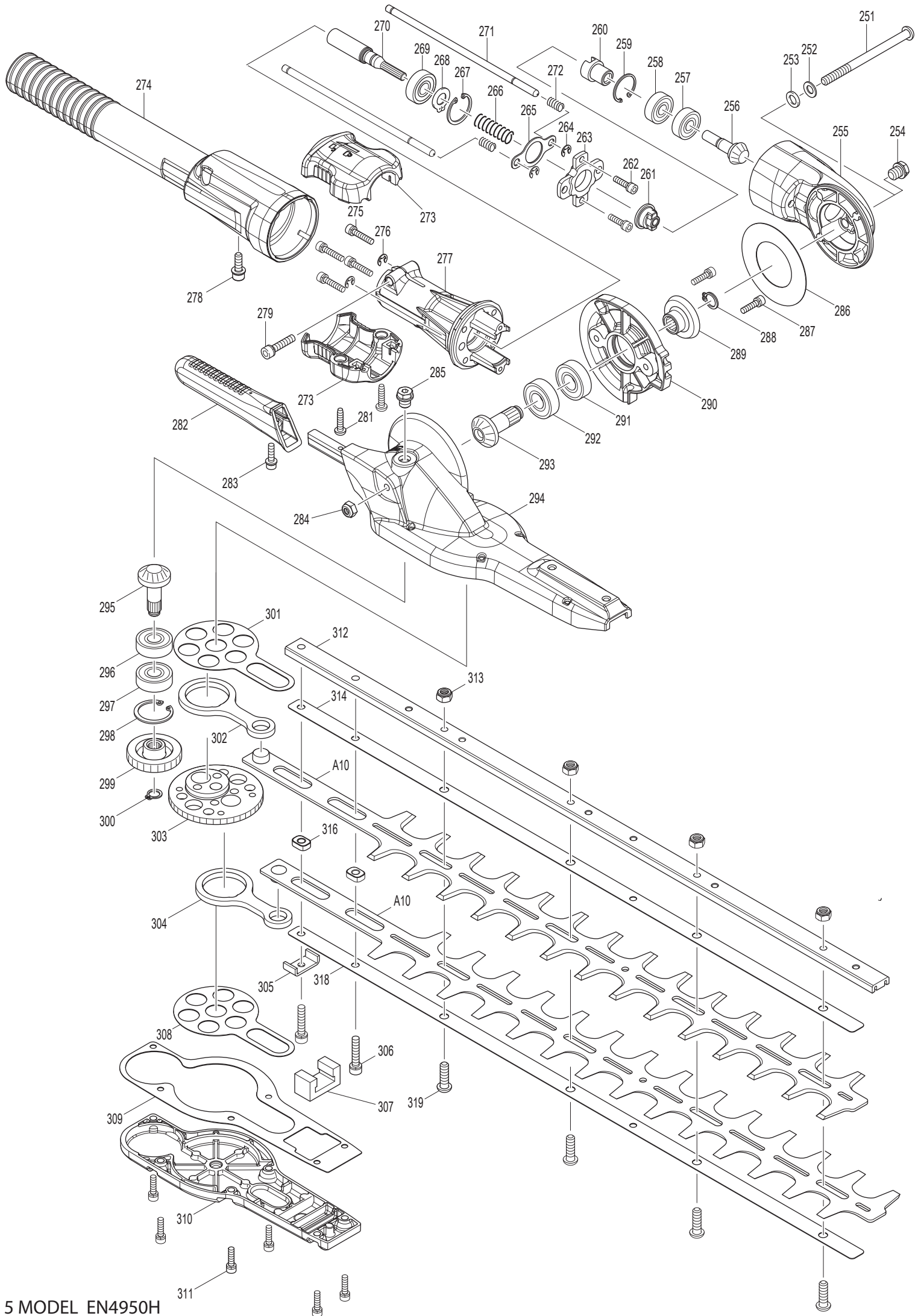


38



3 MODEL EN4950H





Item N	Type	Part No	Description	Qty	Unit
3		324893-4	SHAFT	1	PC.
4		195143-2	HANGER SET	1	PC.
5	INC.	911233-1	Item. 5 PAN HEAD SCREW M5X20	1	PC.
6		142034-8	PIPE COMPLETE	1	PC.
8	INC.	801E20-5	CAUTION LABEL	1	PC.
9		893670-0	MAKITA LOGO LABEL	1	PC.
32		814E64-6	SERIAL NO. LABEL	1	PC.
33		816566-8	GAS EMISSION APPROVAL LABEL (N/L/A)	1	PC.
34		816567-6	SERIAL NO. LABEL	1	PC.
36		819432-8	CAUTION TAG	1	PC.
37		801B73-6	MODEL NO. LABEL F/EN4950H	1	PC.
38	1	424434-7	CAP 24	1	PC.
		125776-9	CONTROL LEVER ASSEMBLY	1	PC.
	INC.		Item No. 39-55		
	2	126488-7	CONTROL LEVER ASSEMBLY	1	PC.
	INC.		Item No. 39-55		
39		266130-9	TAPPING SCREW BIND PT 3X16	1	PC.
40		451595-0	SWITCH COVER	1	PC.
41		451594-2	SWITCH LEVER	1	PC.
42		232251-9	LEAF SPRING	1	PC.
43		188832-6	LEVER CASE SET	1	SET
	INC.		Item. 55		
44		346248-3	CLAMP 24	2	PC.
45		922218-2	H.S.H.BOLT M5X14 WITH WR	2	PC.
46		451593-4	LOCK LEVER	1	PC.
47		233541-3	TORSION SPRING 7	1	PC.
48		168571-4	CONTROL CABLE	1	PC.
49		233540-5	TORSION SPRING 11	1	PC.
50	1	451592-6	* THROTTLE LEVER	1	PC.
	2	455313-8	* THROTTLE LEVER	1	PC.
51		638714-7	LEAD UNIT	1	PC.
52		638713-9	LEAD UNIT	1	PC.
53		452071-7	CORRUGATE TUBE	1	PC.
54		266326-2	TAPPING SCREW 4X18	4	PC.
60		126202-1	CLEANER COVER ASSEMBLY	1	PC.
	INC.		Item. 61		
61		265791-2	THUMB SCREW M4	1	PC.
62		443171-4	AIR CLEANER ELEMENT	1	PC.
63		443169-1	AIR CLEANER ELEMENT	1	PC.
64		266871-7	H.S.BUTTON HEAD BOLT M5X60	2	PC.
65		126198-6	CLEANER PLATE ASSEMBLY	1	PC.
	INC.		Item. 66-68,223,224,231-234		
66		162346-3	SEPARATOR PLATE	1	PC.
67		213540-1	O RING 15	1	PC.
68		424316-3	CHECK VALVE	2	PC.
69		422099-9	PIPE	1	PC.
70		325665-0	JOINT PIPE	1	PC.
71		442153-3	CARBURETOR GASKET	1	PC.
72		266787-6	H.S.H.BOLT M5X18 WITH WR	2	PC.
73		451825-9	CLAMP	1	PC.
74		451729-5	INSULATOR	1	PC.
75		213547-7	O-RING 12	1	PC.
76		422109-2	BREATHER PIPE	1	PC.
77		345918-1	HOSE CLAMP	1	PC.
78		318745-9	ROCKER COVER OUTER	1	PC.
79		922222-1	HEX. SOCKET HEAD BOLT M5X16	4	PC.
80		453860-3	ROCKER COVER INNER	1	PC.

Item N	Type	Part No	Description	Qty	Unit
81		162304-9	ROCKER COVER GASKET	1	PC.
82		424302-4	PLUG CAP	1	PC.
83		324891-8	PLUG CAP SPRING	1	PC.
85		125554-7	ROCKER ARM ASSEMBLY	2	PC.
86		256200-2	PIN 5	1	PC.
87		256865-0	ROD 2.5	2	PC.
88		325668-4	SPRING RETAINER	2	PC.
89		451735-0	CLUTCH CASE	1	PC.
90		922228-9	H.S.H.BOLT M5X18 WITH WR	3	PC.
91		450569-8	SPACER	1	PC.
92		961052-5	RETAINING RING S-12	1	PC.
93		210111-5	BALL BEARING 6201LLU	1	PC.
94		962151-6	RETAINING RING R-32	1	PC.
95		168809-7	CLUTCH DRUM	1	PC.
96		266864-4	SHOULDER HEX. BOLT M6X25	2	PC.
97		267817-6	WASHER 8	2	PC.
98		126135-0	CLUTCH ASSEMBLY	1	PC.
		INC.	Item. 99, 100		
99	1	168498-8	CLUTCH SHOE	2	PC.
	2	161332-1	CLUTCH SHOE	2	PC.
100		231881-3	TENSION SPRING 7	1	PC.
101		267812-6	WASHER 6	2	PC.
102		264039-9	CONED DISK SPRING HEXNUT M8X13	1	PC.
103		318569-3	FLYWHEEL	1	PC.
104		444021-6	TUBE	1	PC.
105		266602-4	HEX. SOCKET HEAD BOLT M4X20	2	PC.
106		452049-0	SPACER	2	PC.
107		168559-4	IGNITION COIL	1	PC.
108		268238-5	PIN 5	1	PC.
109		125552-1	CAM GEAR ASSEMBLY	1	PC.
110		313169-4	CAM LIFTER	2	PC.
112		268239-3	PIN 4	1	PC.
113		162274-2	CAM GEAR COVER GASKET	1	PC.
114		318443-5	CAM GEAR COVER	1	PC.
115		922222-1	HEX. SOCKET HEAD BOLT M5X16	3	PC.
116		135478-9	CYLINDER BLOCK ASSEMBLY	1	PC.
		INC.	Item. 88, 117, 118		
117		922222-1	HEX. SOCKET HEAD BOLT M5X16	6	PC.
118		424201-0	CHECK VALVE	2	PC.
119		346331-6	MUFFLER GASKET	1	PC.
120		168554-4	EXHAUST MUFFLER	1	PC.
121		266440-4	HEX SOCKET HEAD BOLT M5X40	2	PC.
122		168483-1	PULLEY	1	PC.
123		451731-8	MUFFLER PLATE	1	PC.
124		922218-2	H.S.H.BOLT M5X14 WITH WR	1	PC.
125		638707-4	LEAD UNIT	1	PC.
126		638708-2	LEAD UNIT	1	PC.
128		922218-2	H.S.H.BOLT M5X14 WITH WR	1	PC.
129		453266-5	CYLINDER COVER	1	PC.
130		922218-2	H.S.H.BOLT M5X14 WITH WR	1	PC.
131		424082-2	BUFFER RUBBER	1	PC.
132		922211-6	HEX. SOCKET HEAD BOLT M5X12	1	PC.
133		922226-3	HEX. SOCKET HEAD BOLT M5X18	2	PC.
134		318249-1	PIPE HOLDER	1	PC.
135		318250-6	PIPE HOLDER	1	PC.
136		424083-0	BUFFER RUBBER	1	PC.
137		424200-2	SPACER	2	PC.
138		234108-0	COMPRESSION SPRING 9	2	PC.

Item N	Type	Part No	Description	Qty	Unit
140	1	325669-2	EXHAUST VALVE	1	PC.
	2	326366-3	EXHAUST VALVE	1	PC.
143	1	325670-7	INTAKE VALVE	1	PC.
	2	326367-1	INTAKE VALVE	1	PC.
144		195145-8	PISTON RING SET	1	PC.
147		318441-9	PISTON	1	PC.
148		254040-2	WOODRUFF KEY 3	1	PC.
149		126359-8	CRANK SHAFT ASSEMBLY	1	PC.
	INC.		Item. 150-152		
150		213148-1	OIL SEAL 10	1	PC.
151		267400-9	FLAT WASHER 23	1	PC.
152		213147-3	OIL SEAL 12	1	PC.
153		257781-9	PISTON PIN	1	PC.
154		233976-8	CLIP	2	PC.
155		162345-5	OIL CASE GASKET	1	PC.
156		346083-9	LEAD VALVE	1	PC.
157		318910-0	RETAINER PLATE	1	PC.
158		922112-8	HEX. SOCKET HEAD BOLT M4X10	1	PC.
159		318588-9	OIL CASE	1	PC.
160		922222-1	HEX. SOCKET HEAD BOLT M5X16	4	PC.
161		424344-8	DAMPER	1	PC.
162		346305-7	GASKET	1	PC.
163		266611-3	HEX BOLT M6X8	1	PC.
164		213548-5	O-RING 20	1	PC.
165		325665-0	JOINT PIPE	1	PC.
166		282020-8	* HOSE CLAMP (Type 2: A component of #125805-8)	1	PC.
167		325666-8	* OIL WEIGHT(Type 2: A component of #125805-8)	1	PC.
168	1	424301-6	* OIL TUBE	1	PC.
	2	125805-8	* OIL TUBE ASSEMBLY	1	PC.
	INC.	424301-6	* OIL TUBE	1	PC.
	INC.		* Item No. 166, 167		
169		452047-4	OIL CAP	1	PC.
170		424343-0	GASKET	1	PC.
171		452048-2	OIL PIPE	1	PC.
172		922218-2	H.S.H.BOLT M5X14 WITH WR	2	PC.
173		125728-0	FUEL TANK CAP ASSEMBLY	1	PC.
175		168775-8	TUBE COMPLETE	1	PC.
176		282020-8	HOSE CLAMP	1	PC.
177		163518-3	GASOLINE FILTER	1	PC.
178	1	454010-3	* FUEL TANK	1	PC.
	2	123419-7	* FUEL TANK ASSEMBLY	1	PC.
	INC.		* Item No. 173, 175-177		
179		424080-6	BUFFER RUBBER	2	PC.
180		424081-4	BUFFER RUBBER	1	PC.
181		451737-6	TANK GUARD	1	PC.
182		922218-2	H.S.H.BOLT M5X14 WITH WR	4	PC.
183		195308-6	RECOIL STARTER SET	1	PC.
	INC.		Item. 122,184,185,187-191, A09, 193		
184		424319-7	STARTER KNOB	1	PC.
185		424359-5	DAMPER	1	PC.
187		266585-8	TAPPING SCREW 5X12	1	PC.
188		325923-4	SWING ARM	1	PC.
189		451938-6	COLLAR	1	PC.
190		451937-8	REEL	1	PC.
191		232258-5	SPIRAL SPRING	1	PC.
193		451733-4	STARTER CASE	1	PC.
194		922223-9	H.S.H.BOLT M5X16 WITH WR	4	PC.
196		816565-0	MAKITA LOGO LABEL	1	PC.
197		168762-7	CARBURETOR	1	PC.

Item N	Type	Part No	Description	Qty	Unit
	INC.		Item. 198-207,209-214		
198		325922-6	SWIVEL	1	PC.
199		413140-9	WASHER	1	PC.
200	1	266581-6	PAN HEAD SCREW M3X8 WITH W	2	PC.
	2	WJ00096364	SCREW M3X8 WITH WASHER	2	PC.
201		257964-1	STOP RING E-3	1	PC.
202		213538-8	O RING 2	1	PC.
203		325985-2	JET	1	PC.
204		234183-6	CONICAL COMPRESSION SPRING 5-9	1	PC.
205		442155-9	PUMP GASKET	1	PC.
206		168575-6	PUMP DIAPHRAGM	1	PC.
		141737-1	PUMP BODY	1	PC.
207	INC.		Item. 208		
208		352021-1	INLET SCREEN	1	PC.
209		442154-1	METERING DIAPHRAGM GASKET	1	PC.
210		168620-7	METERING DIAPHRAGM	1	PC.
211		140438-8	AIR PURGE BODY	1	PC.
212		424314-7	PRIMER PUMP	1	PC.
213		346270-0	PRIMER PUMP COVER	1	PC.
214		266582-4	TAPPING SCREW 3X24	4	PC.
215		810455-9	CAUTION PLATE	1	PC.
216		800F73-7	INDICATION LABEL	1	PC.
217		941151-9	FLAT WASHER 6	1	PC.
218		443170-6	FELT	1	PC.
222		808723-2	CAUTION LABEL	1	PC.
223		266427-6	TAPPING SCREW 4X12	1	PC.
224		452219-1	CHOKE PLATE	1	PC.
231		452220-6	CHOKE LEVER	1	PC.
232		266007-8	TAPPING SCREW BIND PT 3X10	1	PC.
233		352020-3	SEPARATOR MESH	1	PC.
234		453865-3	SEPARATOR CASE	1	PC.
235		453862-9	OIL CASE PLATE	1	PC.
236		346732-8	PLATE	1	PC.
237		266927-6	TORX SOCKET HEAD BOLT M4X20	1	PC.
238		442199-9	GASKET	1	PC.
239		931102-0	HEX. NUT M4	1	PC.
240		346730-2	HOLDER, ANGLE 100 DEGREE	1	PC.
251		266817-3	H.S. BUTTON HEAD BOLT M6X85	1	PC.
252		232279-7	CONED DISC SPRING 6	1	PC.
253		941151-9	FLAT WASHER 6	1	PC.
254		266818-1	HEX. SOCKET HEX. BOLT M8X8	1	PC.
255		318969-7	JOINT	1	PC.
256		227604-5	SPIRAL BEVEL GEAR 9	1	PC.
257		211032-4	BALL BEARING 608ZZ	1	PC.
258		211032-4	BALL BEARING 608ZZ	1	PC.
259		962102-9	RETAINING RING R-22	1	PC.
260		310534-8	CAM A	1	PC.
261		310535-6	CAM B	1	PC.
262		922126-7	HEX. SOCKET HEAD BOLT M4X16	2	PC.
263		313254-3	HOLDER PLATE	1	PC.
264		961011-9	STOP RING E-4	2	PC.
265		346657-6	SLIDE PLATE	1	PC.
266		231297-2	COMPRESSION SPRING 9	1	PC.
267		962103-7	RETAINING RING R-24	1	PC.
268		961005-4	RETAINING RING S-9	1	PC.
269		210049-4	BALL BEARING 609ZZ	1	PC.
270		142000-5	SPINDLE COMPLETE	1	PC.
271		326256-0	ROD 5	2	PC.

Item N	Type	Part No	Description	Qty	Unit
272		233117-6	COMPRESSION SPRING 6	2	PC.
273		187575-7	SLIDE LEVER SET	1	SET
	INC.		Item. 280		
274		454249-8	COVER	1	PC.
275		265493-0	HEX. SOCKET HEAD BOLT M4X20	4	PC.
276		961011-9	STOP RING E-4	2	PC.
277		318970-2	PIPE HOLDER	1	PC.
278		922223-9	H.S.H.BOLT M5X16 WITH WR	1	PC.
279		922241-7	HEX. SOCKET HEAD BOLT M5X25	1	PC.
281		265995-6	TAPPING SCREW 4X18	2	PC.
282	1	454248-0	* GRIP	1	PC.
	2	456369-4	* GRIP	1	PC.
283	1	922128-3	* HEX. SOCKET HEAD BOLT M4X16	1	PC.
	2	911516-9	* PAN HEAD SCREW M4X12	2	PC.
284		252190-7	HEX.LOCK NUT M6-10	1	PC.
285		266818-1	HEX. SOCKET HEX. BOLT M8X8	1	PC.
286		267467-7	FLAT WASHER 36	1	PC.
287		922126-7	HEX. SOCKET HEAD BOLT M4X16	2	PC.
288		961006-2	RETAINING RING S-10	1	PC.
289		227605-3	SPIRAL BEVEL GEAR 22	1	PC.
290		310533-0	ANGLAR PLATE	1	PC.
291		211148-5	BALL BEARING 6001ZZ	1	PC.
292		211148-5	BALL BEARING 6001ZZ	1	PC.
293		227606-1	SPIRAL BEVEL GEAR 11	1	PC.
294	1	142018-6	* GEAR HOUSING COMPLETE	1	PC.
	2	143500-8	* GEAR HOUSING COMPLETE	1	PC.
295		227607-9	SPIRAL BEVEL GEAR 12	1	PC.
296		211062-5	BALL BEARING 6000ZZ	1	PC.
297		211062-5	BALL BEARING 6000ZZ	1	PC.
298		962105-3	RETAINING RING R-26	1	PC.
299		227317-8	SPUR GEAR 24	1	PC.
300		961004-6	RETAINING RING S-8	1	PC.
301		346658-4	PLATE	1	PC.
302		346251-4	CONNECTING ROD	1	PC.
303		227248-1	SPUR GEAR 43	1	PC.
304		346251-4	CONNECTING ROD	1	PC.
305		346256-4	HOLDER	1	PC.
306		922241-7	HEX. SOCKET HEAD BOLT M5X25	2	PC.
307		443159-4	SEAL	1	PC.
308		346658-4	PLATE	1	PC.
309		423458-0	GASKET	1	PC.
310		318968-9	UNDER COVER	1	PC.
311		922126-7	HEX. SOCKET HEAD BOLT M4X16	6	PC.
312		332058-4	GUIDE BAR	1	PC.
313		264089-4	HEX. LOCK NUT M6-10	4	PC.

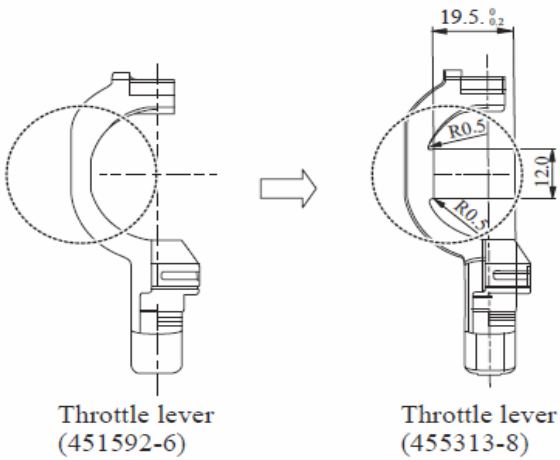
Item N Type	Part No	Description	Qty	Unit
314	346665-7	PLATE	1	PC.
316	313211-1	SLEEVE 5	2	PC.
318	346665-7	PLATE	1	PC.
319	266824-6	H.S. BUTTON HEAD BOLT M6X20	4	PC.
<u>ACCESSORIES</u>				
- See Catalogue or visit www.makita.ca for more accessories -				
A01	195626-2	LOOP HANDLE SET	1	PC.
	INC. 346467-1	CLAMP 24	1	PC.
	INC. 346468-9	CLAMP 33	1	PC.
	INC. 452843-0	CLAMP COVER B	1	PC.
	INC. 922243-3	HEX. SOCKET HEAD BOLT M5X25	2	PC.
A02	-----	OIL SET	1	PC.
A03	1 126303-5	HEDGE TRIMMER HEAD ASS'Y	1	PC.
	INC. Item No. 251 -317, 319, A10		1	PC.
	2 123495-1	HEDGE TRIMMER HEAD ASS'Y	1	PC.
	INC. Item No. 251 -317, 319, A10		1	PC.
A04	782233-6	BOX DRIVER 10-16	1	PC.
A05	783223-2	WRENCH 4	1	PC.
A06	452328-6	BLADE COVER	1	PC.
A07	831304-7	ACCESSORY BAG	1	PC.
A08	168534-0	SPARK PLUG	1	PC.
A09	444023-2	STARTER ROPE	1	PC.
A10	725187-4	SHEAR BLADE	2	PC.
A11	196263-5	END COVER SET	1	PC.

SERVICE CHANGES

1. Changes on Throttle lever

(TI#A2941)

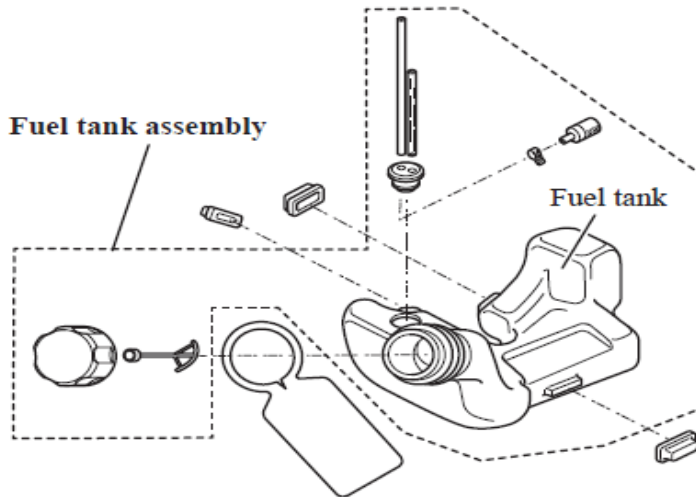
Item No.	Description	Type 1	Type 2
50	Throttle lever	451592-6	455313-8



2. Changes on Fuel Tank

(TI#A7689)

Item No.	Description	Type 1	Type 2
178	Fuel Tank >> Fuel Tank Assembly	454010-3	123419-7
Inc.		-----	Item No. 173, 175-177



3. Changes on Gear housing complete, Grip, M4x16 Hex socket head bolt

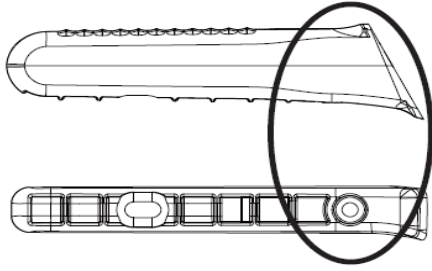
(TI#A9070)

Item No.	Description	Type 1	Type 2
282	GRIP	454248-0	456369-4
283	HEX. SOCKET HEAD BOLT M4X16 >>> PAN HEAD SCREW M4X12	922128-3	911516-9
294	GEAR HOUSING COMPLETE	142018-6	143500-8

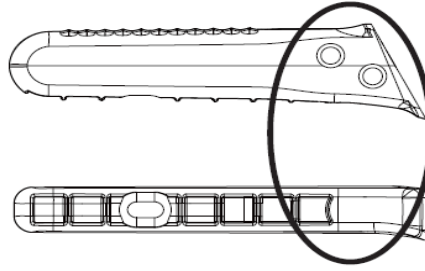
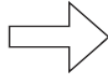
Above parts are completely interchangeable as a set.

A03	HEDGE TRIMMER HEAD ASS'Y	126303-5	123495-1
Inc.	Item No. 251 -317, 319, A10		

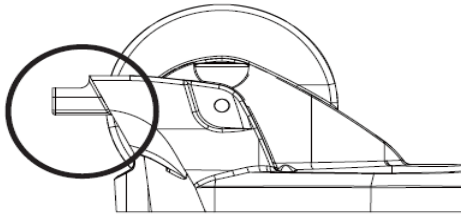
No. 282 Type 1



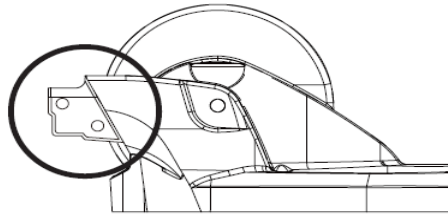
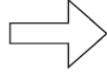
Type 1



No. 294 Type 1



Type 1



4. Changes on OIL TUBE

(TI#Y07151)

Item No.	Description	Type 1	Type 2
166	HOSE CLAMP	282020-8	Included in 125805-8
167	OIL WEIGHT	325666-8	Included in 125805-8
168	OIL TUBE ASSEMBLY	-----	125805-8
	OIL TUBE	424301-6	Included in 125805-8