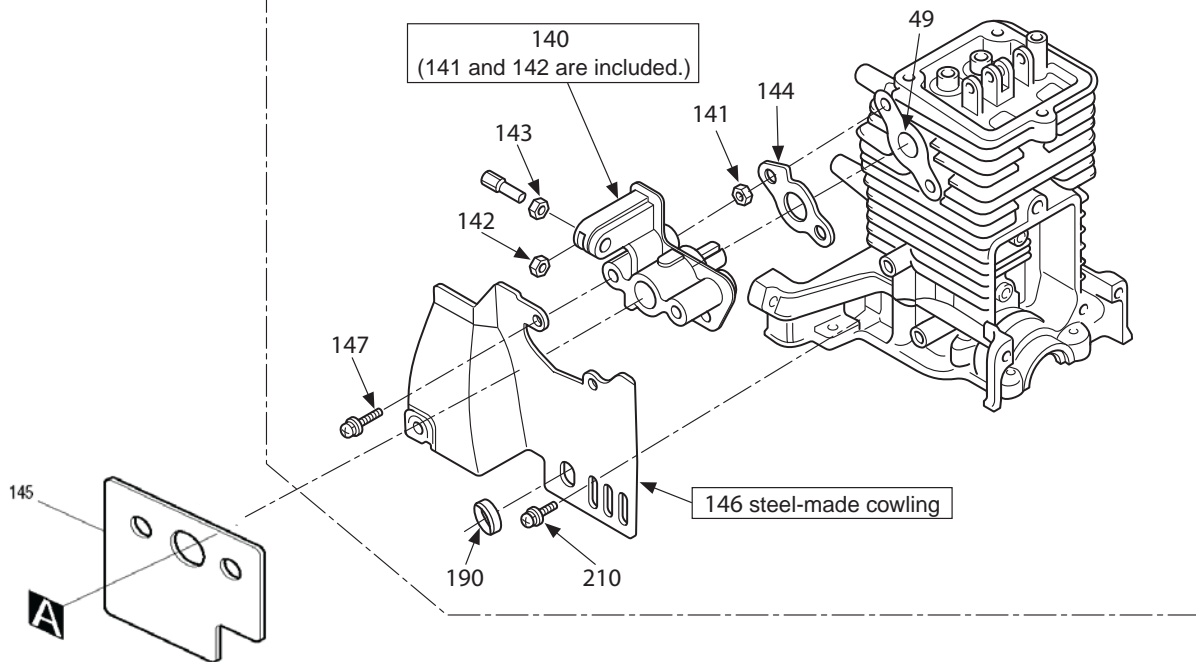
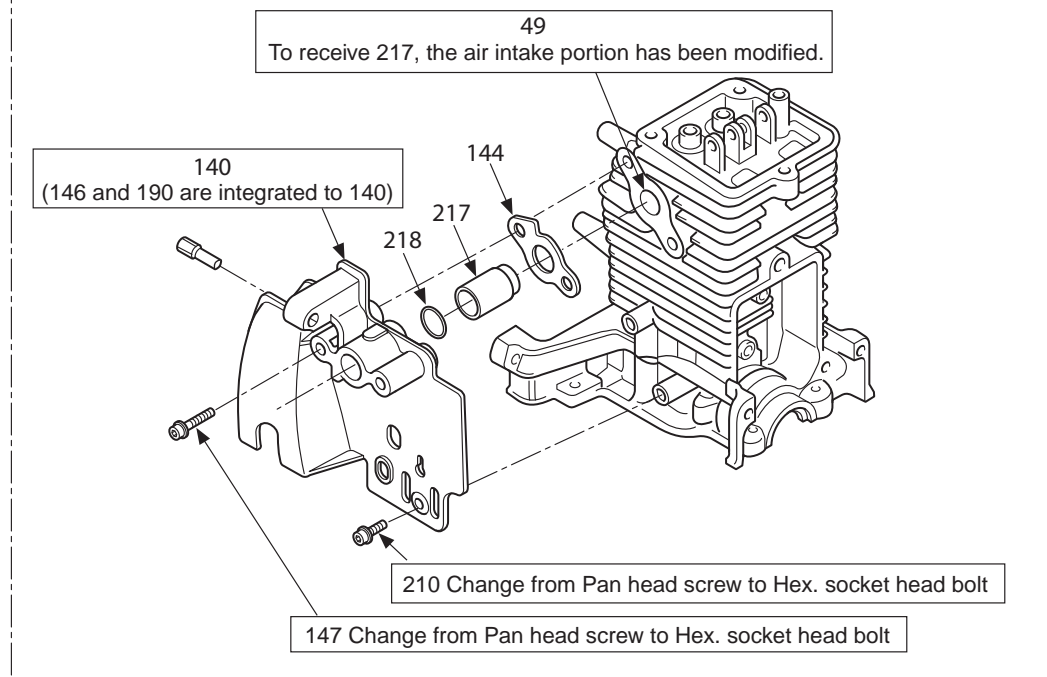
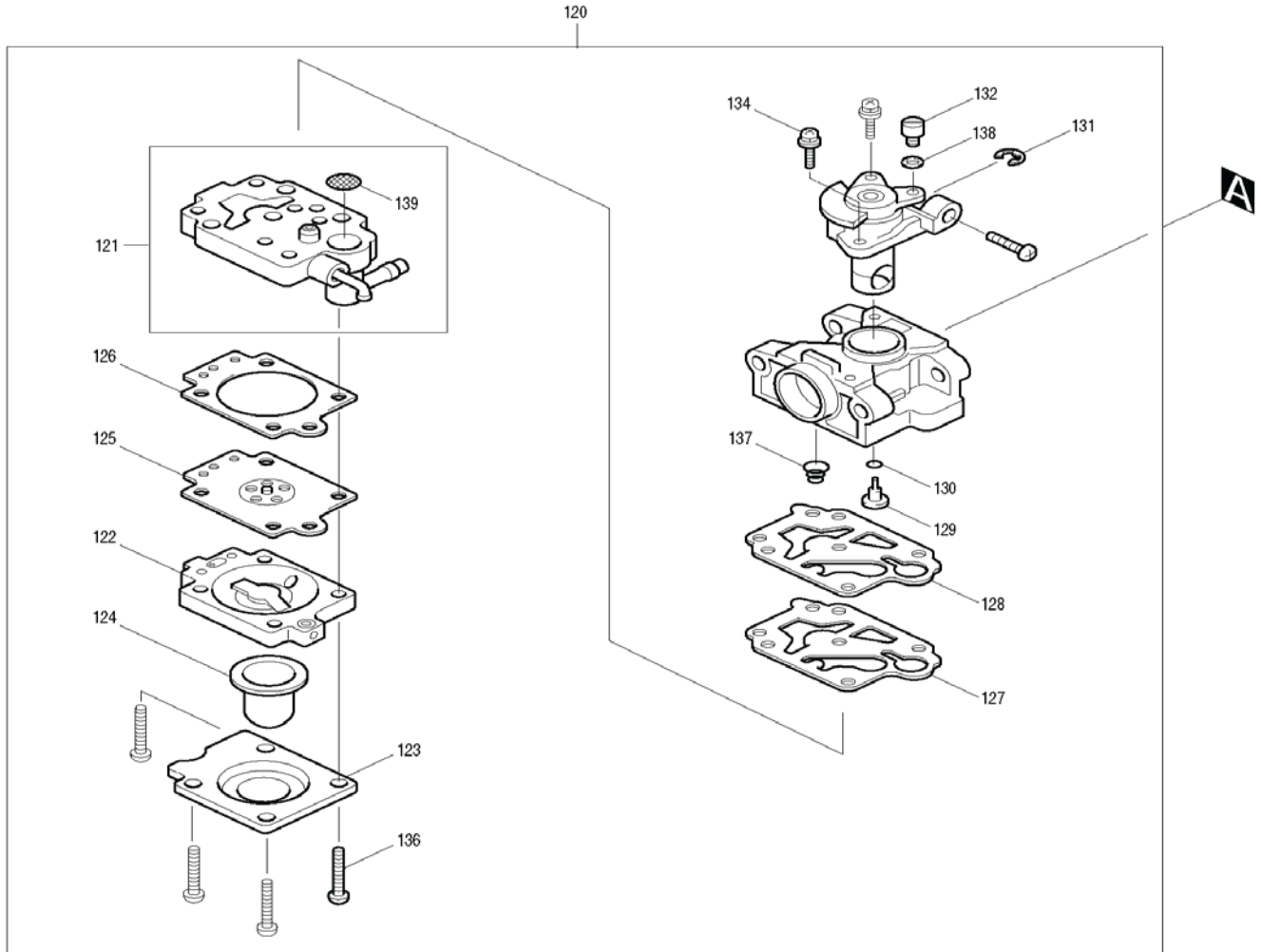


► Prior to April 2008

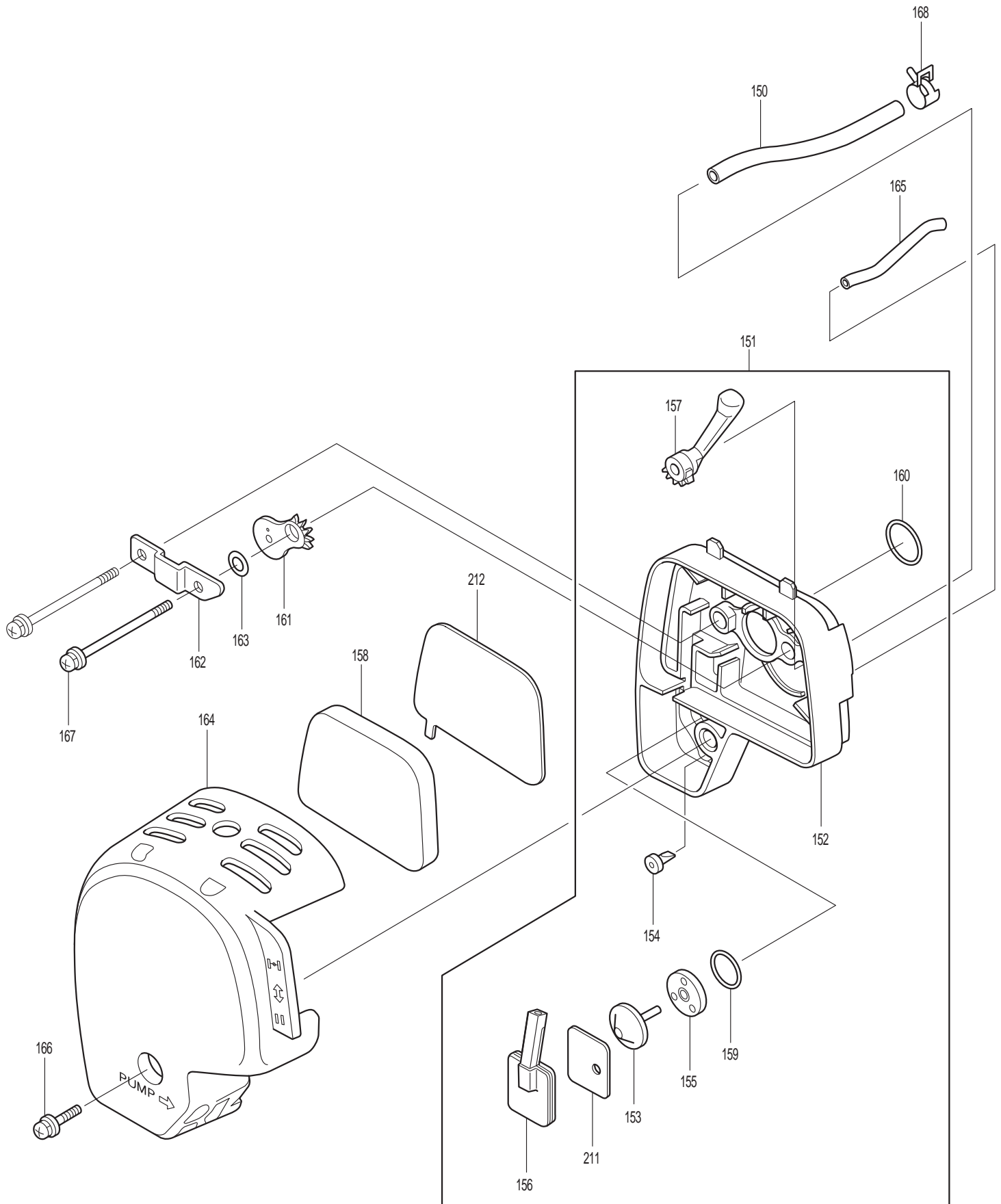


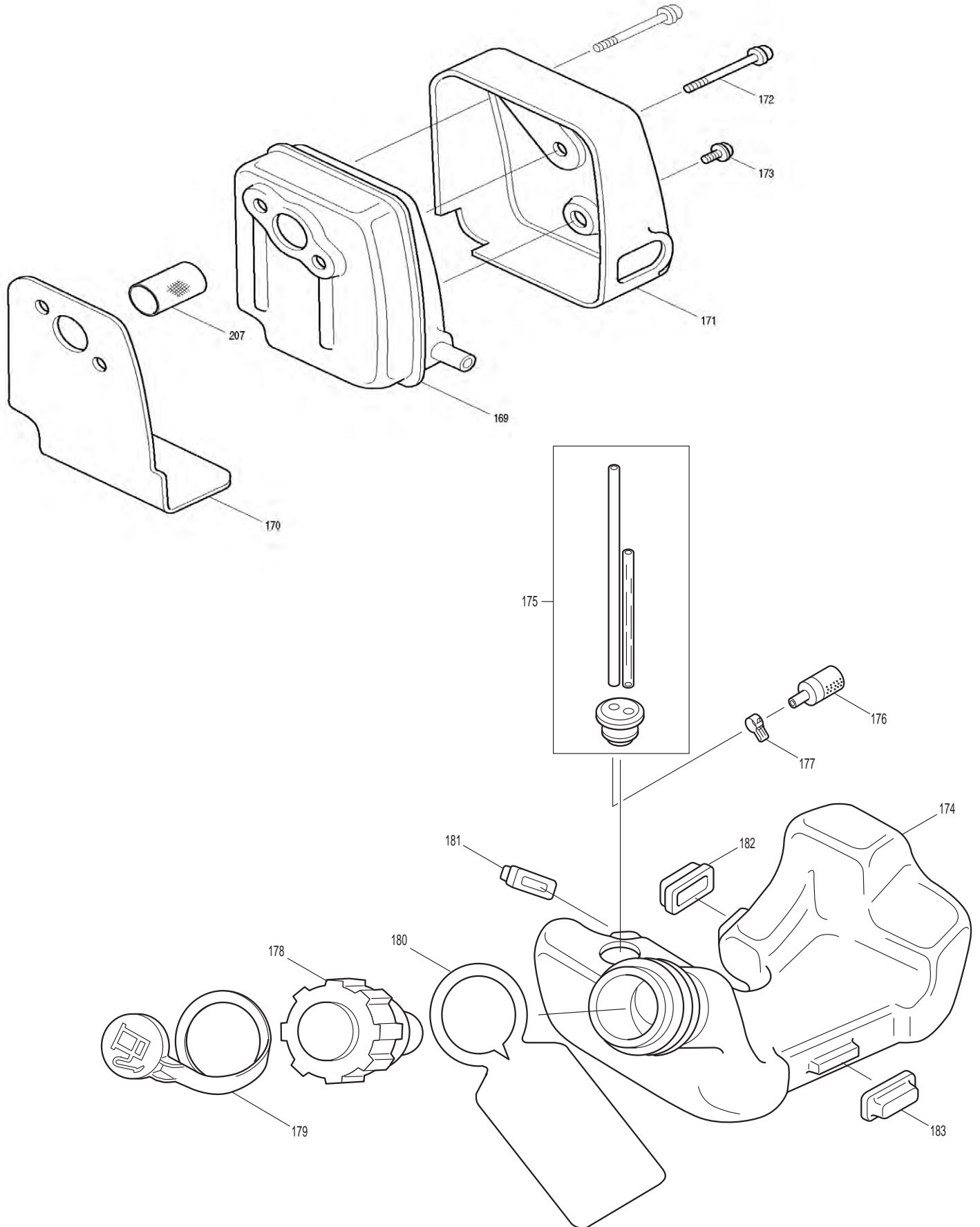
► Implemented April 2008



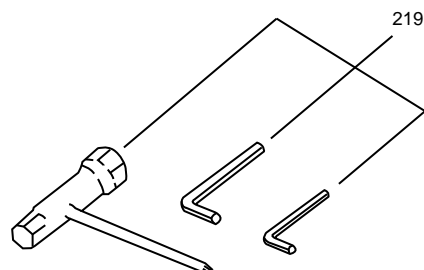
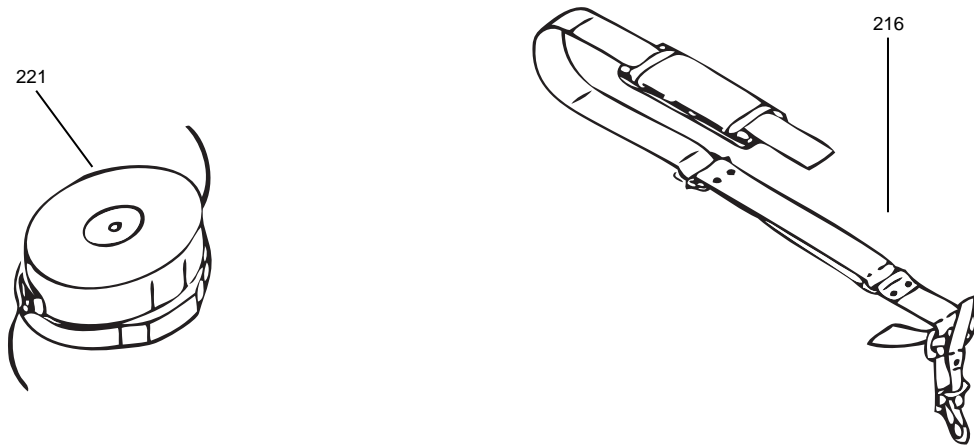
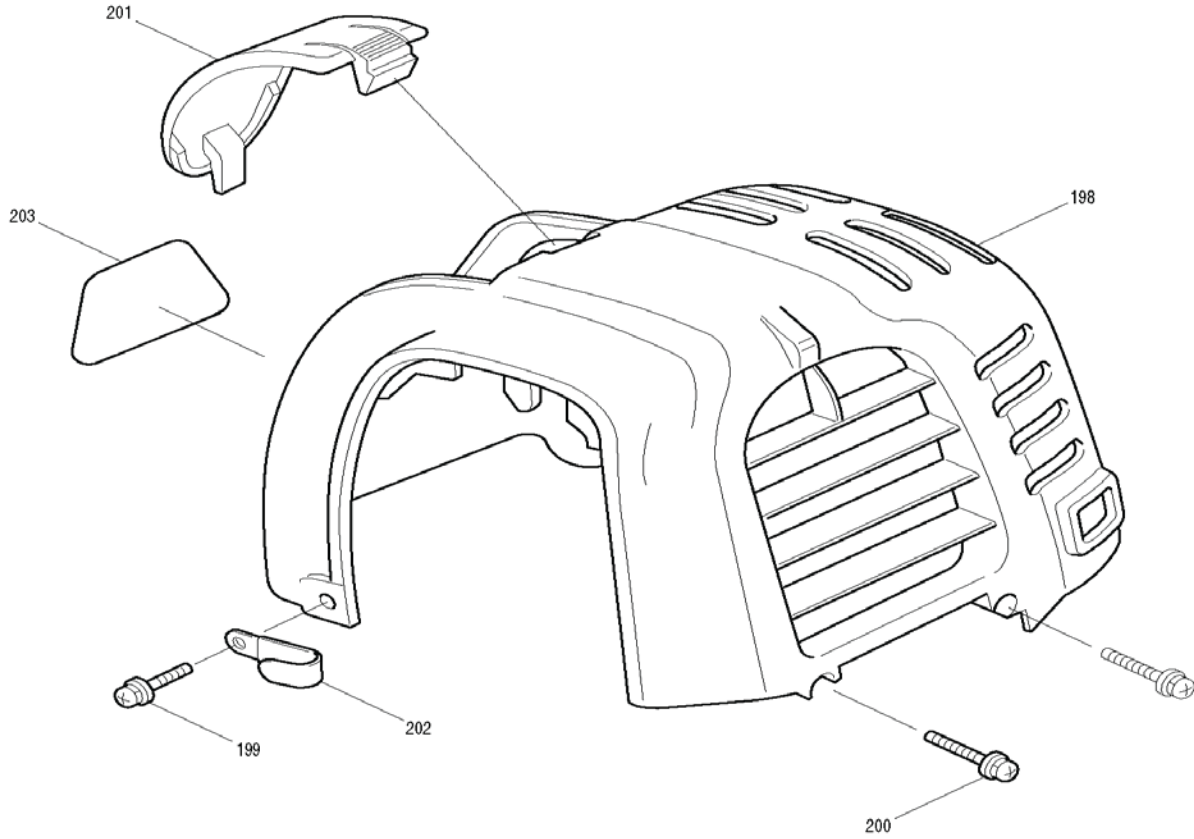














PARTS BREAKDOWN  
rev 7\_12/05/2011

EM4251  
EM4251CA

Products with multiple versions are listed in subsiding order with the newest version on top not indented.

Corresponding bulletins are attached. Select bulletin name or attachment to view.

Tech Bulletin	Fig. No	Part No.	Description	Q'ty	Unit	Notes
	1	624-10030-00	SHAFT PIPE CPL.,EM4251	1		
	2	324893-4	SHAFT, EM2650LH	1		
	8	627-15015-01	SPACER, EM4251	1		
	8	627-15015-00	SPACER, EM4251	1		
	9	625-40190-00	HANGER ASSY, RBC251	1		
	10	004-36052-00	SCREW & WASHER ASS'Y, RBC281	1		
	11	621-40160-00	HANDLE SET, RBC2510	1		
	12	627-40040-10	LOOP HANDLE, EM4251	1		
	13	621-40140-10	GUARD STAY, EM4251	2		
<a href="#">Y04526</a>	14	621-40160-20	HANDLE HOLDER, RBC2510	1		
	14	621-40160-20	HANDLE HOLDER, RBC2510	1		
	15	621-40160-30	SCREW, RBC2510	2		
	16	624-50030-00	CONTROL LEVER ASS'Y, EM4251	1		
	17	624-30060-02	GEAR CASE ASS'Y, RBC2510	1		
	18	922241-7	H.S.H. BOLT M5X25	1		
	19	621-25003-00	BALL BEARING 609ZZ, RBC230	1		
	20	961005-4	RETAINING RING S-9, 6832	1		
	21	962103-7	RETAINING RING R-24	1		
	22	060-00699-90	BALL BEARING 626ZZ, EM4251	1		
	23	624-30080-02	CUTTER SHAFT SET, RBC2510	1		
	24	060-01099-10	BALL BEARING DDU, RBC2510	1		
	25	003-14260-00	INNER SNAP RING, RBC230	1		
	26	621-85016-01	RECEIVE WASHER, EM4251	1		
	27	621-80030-01	CLAMP CPL. WASHER, EM4251	1		
	28	625-85050-01	NUT, RBC255	1		
	29	621-85002-00	GUARD, RBC230	1		
	30	014-00593-90	SCREW ASSEMBLY	2		
	31	625-30110-12	OIL BOLT M6X9, RBC201	1		
	32	004-31050-60	PAN HEAD SCREW, RBC252	1		
	34	624-95085-00	CAUTION LABEL, EM4251CA	1		
	35	621-80080-03	PROTECTOR ASS'Y, RBC321	1		
	36	641-85003-03	PROTECTOR CLAMP, EM4251	1		
	37	001-17063-00	BOLT M6X30, EM4251	2		
	38	015-00599-40	TAPPING SCREW, RBC201	1		
	40	619-50060-30	LEVER, EM4251	1		
	41	621-50230-60	LEVER, EM4251	1		
	42	621-50230-50	ADJUST CPL.,EM4251	1		
	43	624-50030-10	WIRE SET, EM4251	1		
	44	624-50030-20	WIRE CPL.,EM4251	1		
	45	619-50060-50	SPRING, EM4251	1		
	46	011-90597-20	S.H. BOLT M5X20, EM4251	2		
	47	641-50111-60	NUT M5, EM4251	2		
	48	619-50060-60	T. SCREW M4X20, EM4251	4		
<a href="#">Y05305</a>	49	592-10240-00	CYLINDER BLOCK SET, EM4251	1		April 2008 production
	49	592-10050-04	CYLINDER BLOCK SET, EM4251	1		
	50	592-15012-00	BALL, EM4251	2		
	51	592-15005-02	CAMGEAR COVER, EM4251	1		
	52	592-10040-01	ROCKER COVER CPL., EM4250	1		
	53	592-15007-00	CAMGEAR COVER GASKET, EM4251	1		





PARTS BREAKDOWN  
rev 7\_12/05/2011

EM4251  
EM4251CA

Products with multiple versions are listed in subsiding order with the newest version on top not indented.

*Corresponding bulletins are attached. Select bulletin name or attachment to view.*

Tech Bulletin	Fig. No	Part No.	Description	Q'ty	Unit	Notes
	54	592-15008-00	ROCKER COVER GASKET, EM4251	1		
	55	592-15010-00	LEAD VALVE, EM4251	1		
	56	592-15011-00	RETAINER PLATE, EM4251	1		
	57	011-90499-80	S.H. BOLT M4X10, EM4251	1		
<a href="#">Y05610</a>	58	011-90595-10	S.H. BOLT M5X14, EM4251	3		
	58	004-36051-60	SCREW ASS'Y M5X16(W,SW),EM4251	3		
	59	011-90595-10	S.H. BOLT M5X14, EM4251	6		
	60	011-90595-10	S.H. BOLT M5X14, EM4251	2		
<a href="#">Y05610</a>	61	011-90595-10	S.H. BOLT M5X14, EM4251	3		
	61	004-36051-40	SCREW M5X14, RBC251	3		
	62	624-15002-03	CLUTCH CASE, EM4251	1		
	63	922222-1	H.S.H. BOLT M5X16	3		
	64	592-65000-00	OIL CASE, EM4251	1		
	65	592-65001-00	CASE GASKET, EM4251	1		
	66	592-65002-00	OIL TUBE, EM4251	1		
	67	592-65003-00	OIL WEIGHT, EM4251	1		
	68	592-65006-00	OIL GAUGE, EM4251	1		
	69	021-30699-90	GASKET, RBC230	1		
	69	021-31699-90	GASKET, EM4251	1		
<a href="#">Y05404</a>	70	011-90595-10	S.H. BOLT M5X14, EM4251	4		
	70	004-36051-80	SCREW ASSEMBLY, RBC230	4		
	71	065-01099-50	SPARK PLUG CMR6A, EM4251	1		
	72	592-35038-00	WASHER, EM4251	1		
	73	624-20030-00	CLUTCH DRUM CPL.,EM4251	1		
	74	962151-6	RETAINING RING R-32	1		
	75	060-01299-50	BALL BEARING 6201DD/6201 2RU,RBC261	1		
	76	961052-5	RETAINING RING S-12	1		
	77	450569-8	SPACER, EM2650LH	1		
	78	624-15004-01	PIPE DAMPER 1, EM4251	1		
	79	624-15005-01	PIPE DAMPER 2, EM4251	1		
	80	624-15006-01	PIPE BRACKET 1, EM4251	1		
	81	624-15007-01	PIPE BRACKET 2, EM4251	1		
	82	922211-6	HEX. SOCKET HAD BOLT M5X12, EM2650LF	1		
	83	922226-3	H. S. H. BOLT M5X18	2		
	84	521-90020-00	STAND SET, RBC230	1		
	85	014-00594-80	SCREW M5X14, EH561	2		
	86	592-20030-00	CRANKSHAFT ASS'Y, EM4251	1		
	87	044-01299-60	OIL SEAL (L), EM4251	1		
	88	044-01099-70	OIL SEAL (S), EM4251	1		
	89	542-15005-00	CLIP, EM4251	1		
	90	592-25009-00	PISTON, EM4251	1		
	91	592-20040-00	PISTON RING SET, EM4251	1		
	92	056-50899-70	CLIP, RST250	2		
	93	257781-9	PISTON PIN, EM2650LH	1		
	94	424200-2	SPACER, EM2650LH	2		
	95	592-35000-01	CAM LIFTER, EM4251	2		
	96	593-30030-00	CAM GEAR ASSEMBLY, EM4250	1		
	97	592-35005-01	CAM GEAR SHAFT, EM4251	1		
	98	592-35006-00	CAM LIFTER SHAFT, EM4251	1		



PARTS BREAKDOWN  
rev 7\_12/05/2011

EM4251  
EM4251CA

Products with multiple versions are listed in subsiding order with the newest version on top not indented.

Corresponding bulletins are attached. Select bulletin name or attachment to view.

Tech Bulletin	Fig. No	Part No.	Description	Q'ty	Unit	Notes
	99	592-35007-00	PUSH ROD, EM4251	2		
	100	593-30020-00	ROCKER ARM ASS'Y, BHX2500	2		
	101	256200-2	PIN 5	1		
	102	592-35012-00	VALVE SPRING, EM4251	2		
	103	592-35013-00	SPRING RETAINER, EM4251	2		
	104	592-35014-00	EXHAUST VALVE, EM4251	1		
	105	592-35015-00	INTAKE VALVE, EM4251	1		
	106	592-50010-02	STARTER COVER ASS'Y, EM4251	1		
	107	451937-8	REEL, EM2650LH	1		
	108	266585-8	TAPPING SCREW 5X12, EM2650LH	1		
	109	232258-5	SPIRAL SPRING, EM2650LH	1		
	110	451938-6	COLLAR, EM2650LH	1		
	111	325923-4	SWING ARM, EM2650LH	1		
	112	592-50010-50	STARTER ROPE, EM4251	1		
	113	424319-7	STARTER KNOB, EM2650LH	1		
	114	168483-1	PULLEY, EM2650LH	1		
	115	004-36042-50	SCREW ASS'Y M4X25, RBC201	2		
	116	023-00499-40	SPACER, EM4251	2		
	117	592-95008-00	TANK GUARD, EM4251	1		
	118	004-36051-00	SCREW ASSEMBLY, EH450	2		
	119	624-95087-00	MODEL LABEL, EM4251CA	1		
	120	592-60090-00	CARBURETOR, EM4250	1		
	121	140437-0	PUMP BODY, EM2650LH	1		
	122	140438-8	AIR PURGE BODY, EM2650LH	1		
	123	346270-0	PRIMER PUMP COVER, EM2650LH	1		
	124	424314-7	PRIMER PUMP, EM2650LH	1		
	125	592-60080-10	METERING DIAPHRAGM, EM4251	1		
	126	442154-1	METERING DIAPHRAGM GASKET, EM2650L	1		
	127	168575-6	PUMP DIAPHRAGM, EM2650LH	1		
	128	442155-9	PUMP GASKET, EM2650LH	1		
	129	519-60020-20	JET, RBC201	1		
	130	213538-8	O RING 2, EM2650LH	1		
	131	257964-1	STOP RING E-3, EM2650LH	1		
	132	325922-6	SWIVEL, EM2650LH	1		
	134	266581-6	PAN HEAD SCREW M3X8, EM2650LH	2		
	136	266582-4	TAPPING SCREW 3X24, EM2650LH	4		
	137	234183-6	CONICAL COMPRESSION SPRING 5-9, EM2	1		
	138	413140-9	WASHER, EM2650LH	1		
	139	352010-6	INLET SCREEN, EM2650LH	1		
<a href="#">Y05305</a>	140	592-30160-00	INSULATOR COMPLETE	1		April 2008 production
	140	592-30050-02	INSULATOR, EM4251	1		
	141	002-17050-00	NUT M5, EW110R	2		
	142	002-27060-00	NUT, G3510R	1		
	143	002-27060-00	NUT, G3510R	1		
<a href="#">Y05305</a>	144	592-35047-00	INSULATOR GASKET, EM4251	1		
	144	592-35018-01	INSULATOR GASKET, EM4251	1		
	145	592-35040-00	CARBURETOR GASKET, EM4250	1		
	146	592-35020-00	CARBURETOR INSULATOR, EM4251	1		
<a href="#">Y05305</a>	147	011-90598-70	SOCKET HEAD BOLT, RBC230	2		



PARTS BREAKDOWN  
rev 7\_12/05/2011

EM4251  
EM4251CA

Products with multiple versions are listed in subsiding order with the newest version on top not indented.

Corresponding bulletins are attached. Select bulletin name or attachment to view.

Tech Bulletin	Fig. No	Part No.	Description	Q'ty	Unit	Notes
	147	004-36051-80	SCREW M5X18	2		
	148	014-90699-72	ADJUST SCREW M6X16, EM4251	1		
	149	524-60041-50	CAP, EM4251	1		
	150	592-15009-00	BREATHER PIPE, EM4251	1		
	151	593-30010-00	CLEANER PLATE ASSY, EM4250	1		
	152	593-30050-00	AIR CLEANER PLATE CPL, EM4250	1		
	153	531-65007-01	CHECK VALVE, EM4251	1		
	154	424316-3	CHECK VALVE, EM2650LH	1		
	155	592-35025-00	CHECK VALVE PLATE, EM4251	1		
	156	593-35016-00	SEPARATOR PLATE,MS2514	1		
	157	592-35022-00	CHOKE LEVER, EM4251	1		
	158	593-35012-00	AIR CLEANER ELEMENT,EM4250	1		
	159	024-01399-70	O RING P14, EM4251	1		
	160	213540-1	O RING 15, EM2650LH	1		
	161	592-35023-01	CHOKE PLATE, EM4251	1		
	162	592-35026-00	PLATE, EM4251	1		
	163	021-30699-90	GASKET, RBC230	1		
	164	593-35008-00	AIR CLEANER COVER,EM4250	1		
	165	592-35030-01	PIPE, EM4251	1		
	166	014-00594-80	SCREW M5X14, EH561	1		
	167	592-35031-00	SCREW M5X68(W,SW SUS),EM4251	2		
	168	345918-1	HOSE CLAMP, EM2650LH	1		
	169	592-30010-00	EXHAUST MUFFLER, EM4251	1		
	170	592-35016-01	MUFFLER GASKET, EM4251	1		
	171	592-35034-00	MUFFLER COVER, EM4251	1		
	172	011-90595-20	SOCKET HEAD BOLT M5X40, RBC201	2		
	173	014-00599-62	SCREW, EW110R	1		
	174	592-65024-00	FUEL TANK, EM4250CA	1		EM4251CA
	174	592-65004-00	FUEL TANK, EM4251	1		EM4251
	175	592-60030-00	TUBE, EM4251	1		
	176	523-65039-00	FILTER, RBL500	1		
	177	056-10599-90	HOSE CLAMP, EM4251	1		
	178	592-60120-00	FUEL TANK CAP, EM4251	1		
	179	525-60670-00	STRAP, RBC2510	1		
	180	810455-9	CAUTION PLATE, EM2650LH	1		
	181	503-65002-00	PLATE, RBC230	1		
	182	503-65003-00	PLATE RBC230	1		
	183	519-65003-02	DAMPER, EH450	1		
	184	592-70120-11	IGNITION COIL, BHX2500	1		
<a href="#">Y05352</a>	185	592-70010-21	FLYWHEEL	1		
	185	592-70010-20	FLYWHEEL, EM4251	1		
	186	592-75001-00	PLUG CAP, EM4251	1		
	187	065-40099-31	PLUG CAP SPRING,RBC221	1		
	188	592-70030-00	WIRE CPL.,EM4251	1		
	189	525-70180-01	WIRE COMPLETE, RBC201	1		
	190	525-75003-00	GROMMET, EH561	1		
	191	001-13061-60	BOLT ASS'Y, RBL500	1		
	192	003-12060-00	WASHER, G2400R	1		
<a href="#">Y05610</a>	193	011-90499-70	SOCKET HEAD BOLT, BBX7600	2		



PARTS BREAKDOWN  
rev 7\_12/05/2011

EM4251  
EM4251CA

Products with multiple versions are listed in subsiding order with the newest version on top not indented.

*Corresponding bulletins are attached. Select bulletin name or attachment to view.*

Tech Bulletin	Fig. No	Part No.	Description	Q'ty	Unit	Notes
	193	004-37042-00	SCREW ASS'Y M4X20, BHX2500	2		
	193	014-00499-20	SCREW M4X20, RST250	2		
	194	592-85000-00	CLUTCH SHOE, EM4251	2		
	195	592-85001-00	SPRING, EM4251	1		
	196	592-85002-00	CLUTCH BOLT, EM4251	2		
	197	267812-6	WASHER 6, EM2650LH	2		
	198	592-55008-00	CYLINDER COVER, EM4251	1		
	199	004-36051-00	SCREW ASSEMBLY, EH450	2		
	200	004-36041-60	SCREW M4X16(W,SW),EM4251	2		
	201	592-75000-00	PLUG COVER, EM4251	1		
	202	056-60599-80	CLAMP, RBC201	1		
	203	592-95010-01	TRADE MARK LABEL, EM4250	1		
	207	592-30080-11	SPARK ARRESTER, EM4251	1		
	209	424201-0	CHECK VALVE, EM2650LH	2		
<a href="#"><u>Y05305</u></a>	210	011-90597-80	S.H. BOLT M5X12, RBC230	1		
	210	004-36051-00	SCREW ASSEMBLY	1		
	211	592-35035-00	SEPARATOR GASKET, EM4251	1		
	212	593-35009-00	AIR CLEANER ELEMENT,EM4250	1		
	215	282020-8	HOSE CLAMP, EM2650LH	1		
	216	620-70030-02	BAND ASS'Y, EM4251	1		
<a href="#"><u>Y05305</u></a>	217	592-35046-00	INTAKE PIPE	1		
<a href="#"><u>Y05610</u></a>	218	213078-6	O RING 10, BHX2500	1		
	219	624-90060-00	TOOL KIT, EM4251	1		
	219	624-90000-00	TOOL SET	1		
	220	072-21046-00	OIL BOTTLE	1		
	220	072-21050-00	OIL BOTTLE, EM4251	1		
	221	B-60143	TRIMMER HEAD, RBC253 BUMP FEED	1		
	213	002-27050-00	NUT M5, RBC230	4		