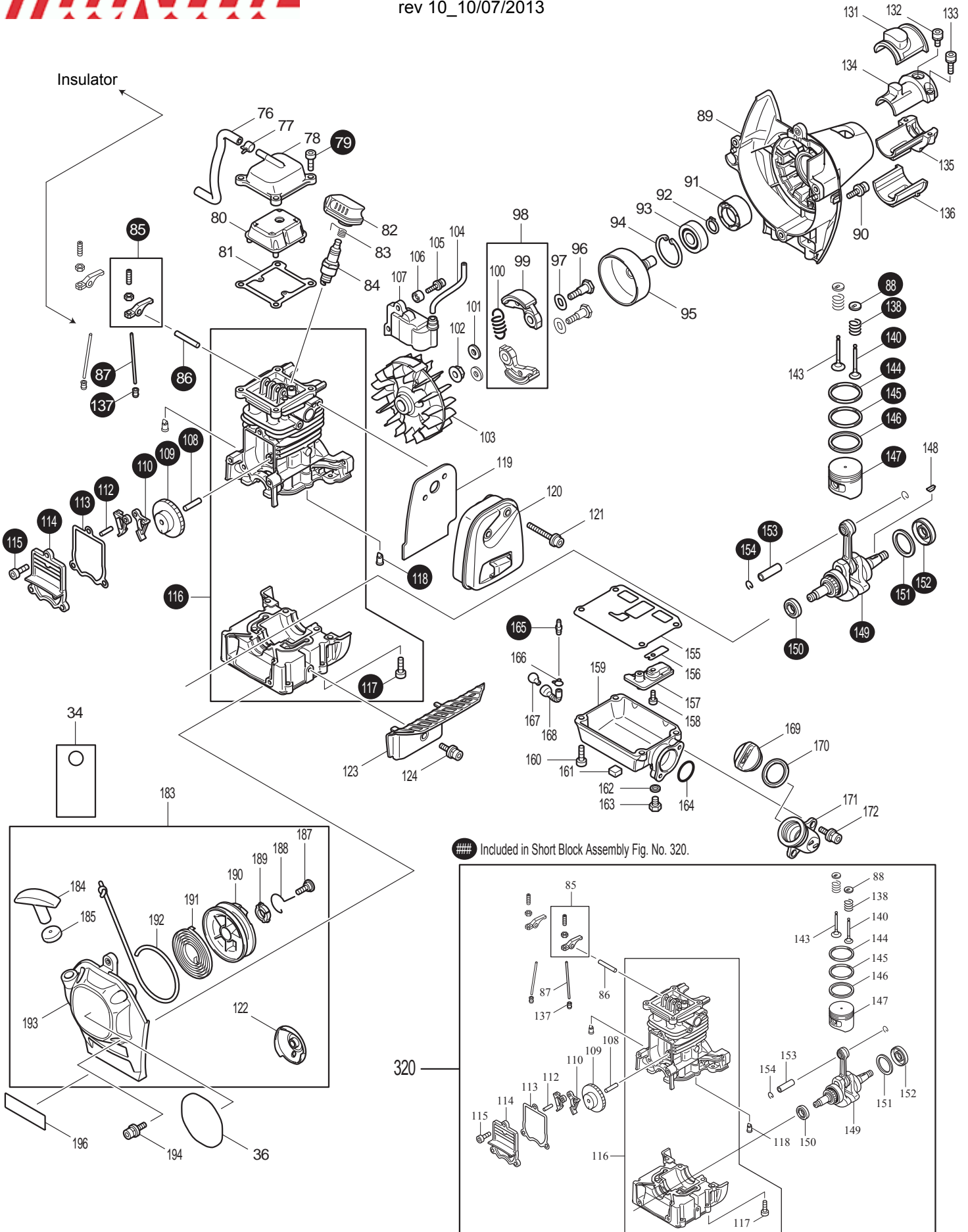
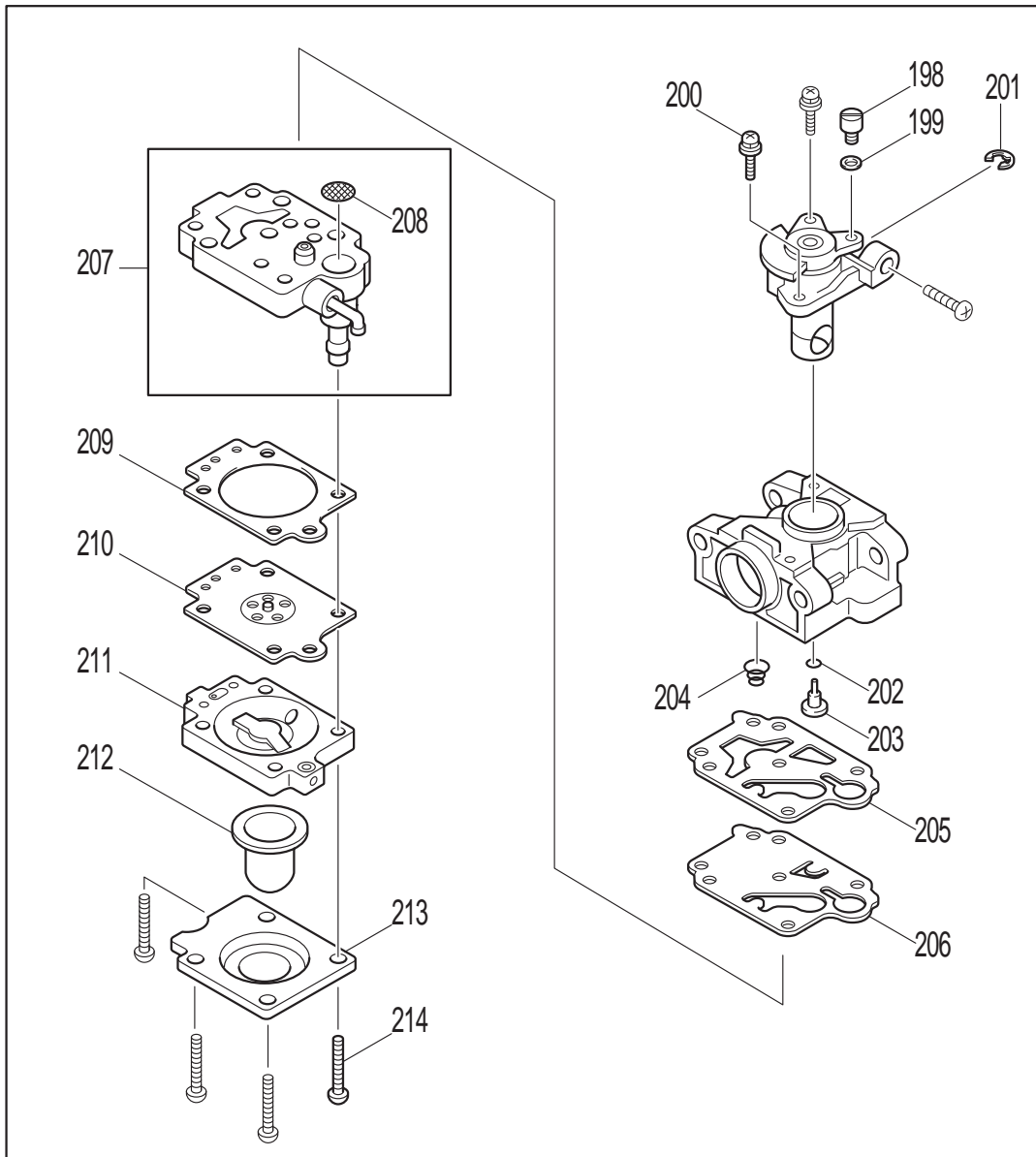
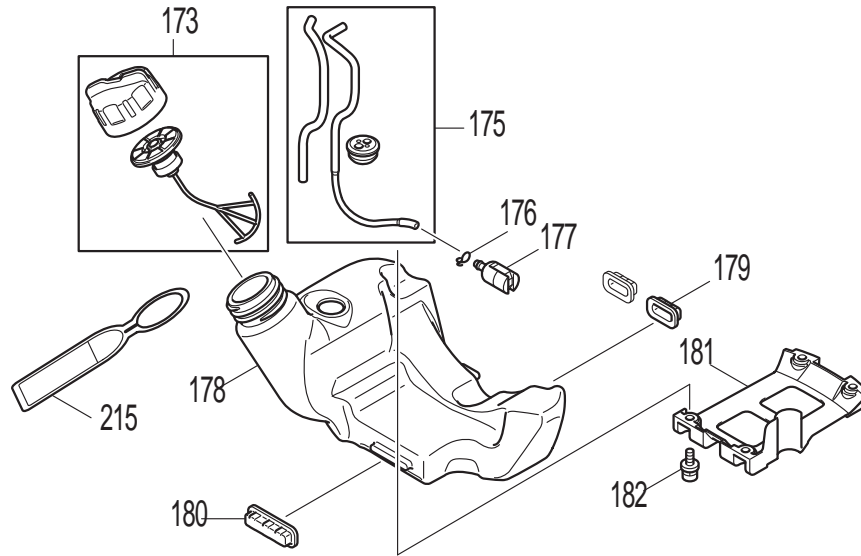


Tech Bulletin 94237
 Implemented March 2012.
 Interchangeable as a set
 with Fig No. 60, 65, & 69.



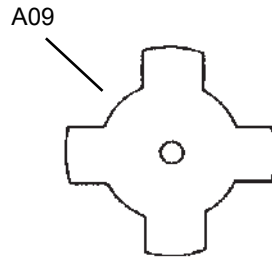
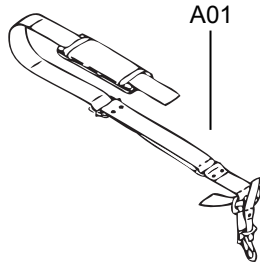




PARTS BREAKDOWN

EM2650UH

rev 10_10/07/2013





PARTS BREAKDOWN

EM2650UH

rev 10_10/07/2013

Products with multiple versions are listed in subsiding order with the newest version on top not indented.

[Corresponding bulletins are attached. Select bulletin name or attachment to view.](#)

Tech Bulletin	Fig. No.	Part No.	Description	Q'ty	Unit	Notes
	1	125775-1	CONTROL LEVER ASSEMBLY	1		
	2	266326-2	TAPPING SCREW 4X18	3		
	3	188656-0	LEVER CASE SET	1		
	4	638705-8	LEAD UNIT	1		
	5	451081-1	CABLE HOLDER	1		
	6	452005-0	CORRUGATE TUBE	1		
	7	168570-6	CONTROL CABLE	1		
	8	451083-7	LOCK OFF LEVER	1		
	9	233541-3	TORSION SPRING 7	1		
	10	233540-5	TORSION SPRING 11	1		
	11	451084-5	THROTTLE LEVER	1		
	12	451085-3	SWITCH COVER	1		
	13	451082-9	SWITCH LEVER	1		
	14	232251-9	LEAF SPRING	1		
	15	188656-0	LEVER CASE SET	1		
	16	266326-2	TAPPING SCREW 4X18	1		
	17	188659-4	GRIP SET	1		
	18	188659-4	GRIP SET	1		
	19	911256-9	PAN HEAD SCREW M5X35	1		
	20	331862-8	HANDLE 19	1		
	21	168524-3	KNOB 57	1		
	22	318429-9	HANDLE CLAMP	1		
	23	318428-1	HANDLE HOLDER	1		
	24	233202-5	COMPRESSION SPRING 20	1		
	25	318427-3	PIPE HOLDER	1		
	26	318426-5	PIPE CLAMP	1		
	27	922241-7	HEX. SOCKET HEAD BOLT M5X25	2		
	28	195143-2	HANGER SET	1		
	29	911233-1	PAN HEAD SCREW M5X20	1		
	30	451526-9	WIRE CLAMP	2		
	31	140431-2	SHAFT PIPE COMPLETE	1		
	32	890280-4	CAUTION LABEL	1		
	33	819312-8	MAKITA LOGO LABEL	1		
	34	911256-9	PAN HEAD SCREW M5X35	1		
	35	324893-4	SHAFT	1		
	36	922218-2	H.S.H.BOLT M5X14 WITH WR	2		
	37	125556-3	GEAR CASE ASSEMBLY	1		
	40	210049-4	BALL BEARING 609ZZ	1		
	41	961005-4	RETAINING RING S-9	1		
	42	962103-7	RETAINING RING R-24	1		
	43	922241-7	HEX. SOCKET HEAD BOLT M5X25	1		
	44	265590-2	+HEX.BOLT M8X10 WITH R	1		
	46	188902-1	CUTTER SHAFT SET	1		
	49	210115-7	BALL BEARING 6001LLU	1		
	50	962106-1	RETAINING RING R-28	1		
	51	331861-0	RECEIVE WASHER	1		
	52	346084-7	CLAMP WASHER	1		
	53	168526-9	CUP	1		
	54	264025-0	HEX. NUT M10-17	1		
	55	452260-4	PROTECTOR	1		
	57	266575-1	HEX. HEAD BOLT M6X30	2		



PARTS BREAKDOWN

EM2650UH

rev 10_10/07/2013

Products with multiple versions are listed in subsiding order with the newest version on top not indented.

[Corresponding bulletins are attached. Select bulletin name or attachment to view.](#)

Tech Bulletin	Fig. No.	Part No.	Description	Q'ty	Unit	Notes
	58	346073-2	PROTECTOR CLAMP	1		
94237	60	126202-1	CLEANER COVER ASS'Y, EM2650LH	1		
	60	125746-8	CLEANER COVER ASSEMBLY	1		
	61	265791-2	THUMB SCREW M4	1		
	62	443171-4	AIR CLEANER ELEMENT	1		
	63	443169-1	AIR CLEANER ELEMENT	1		
	64	266618-9	H.S.BUTTON HEAD BOLT M5X60	2		
94237	65	126198-6	CLEANER PLATE ASS'Y, EM2650LH	1		
	65	126004-5	CLEANER PLATE ASSEMBLY	1		
	C10	162322-7	SEPARATOR STOPPER	1		
	C20	162325-1	SEPARATOR GASKET	1		
	C30	352013-0	SEPARATOR NET	1		
	66	162346-3	SEPARATOR PLATE	1		
	66	162324-3	SEPARATOR PLATE	1		
	67	213540-1	O RING 15	1		
	68	424316-3	CHECK VALVE	1		
	69	422099-9	PIPE	1		
	69	422062-2	PIPE	1		
	70	325665-0	JOINT PIPE	1		
	71	442153-3	CARBURETOR GASKET	1		
	72	922228-9	H.S.H.BOLT M5X18 WITH WR	2		
	73	451825-9	CLAMP	1		
	74	451729-5	INSULATOR	1		
	75	213547-7	O-RING 12	1		
	76	422055-9	BREATHER PIPE	1		
	77	345918-1	HOSE CLAMP	1		
	78	318745-9	ROCKER COVER OUTER	1		
	79	922222-1	HEX. SOCKET HEAD BOLT M5X16	4		
	80	452795-5	ROCKER COVER INNER	1		
	81	162304-9	ROCKER COVER GASKET	1		
	82	424302-4	PLUG CAP	1		
	83	324891-8	PLUG CAP SPRING	1		
	84	168534-0	SPARK PLUG	1		
	85	125554-7	ROCKER ARM ASSEMBLY	2		
	86	256200-2	PIN 5	1		
	87	256865-0	ROD 2.5	2		
	88	325668-4	SPRING RETAINER	2		
	89	451735-0	CLUTCH CASE	1		
	90	922228-9	H.S.H.BOLT M5X18 WITH WR	3		
	91	450569-8	SPACER	1		
	92	961052-5	RETAINING RING S-12	1		
	93	210111-5	BALL BEARING 6201LLU	1		
	94	962151-6	RETAINING RING R-32	1		
	95	168609-5	CLUTCH DRUM	1		
	96	266457-7	SHOULDER HEX. BOLT M6X25	2		
	97	267817-6	WASHER 8	2		
	98	125518-1	CLUTCH ASSEMBLY	1		
	99	168498-8	CLUTCH SHOE	2		
	100	231858-8	TENSION SPRING 6	1		
	101	267812-6	WASHER 6	2		
	102	264039-9	FRANGE NUT	1		



PARTS BREAKDOWN

EM2650UH

rev 10_10/07/2013

Products with multiple versions are listed in subsiding order with the newest version on top not indented.

[Corresponding bulletins are attached. Select bulletin name or attachment to view.](#)

Tech Bulletin	Fig. No.	Part No.	Description	Q'ty	Unit	Notes
	103	318569-3	FLYWHEEL	1		
	104	444021-6	TUBE	1		
	105	266602-4	HEX. SOCKET HEAD BOLT M4X20	2		
	106	452049-0	SPACER	2		
	107	168559-4	IGNITION COIL	1		
	108	268238-5	PIN 5	1		
	109	125552-1	CAM GEAR ASSEMBLY	1		
	110	313169-4	CAM LIFTER	2		
	112	268239-3	PIN 4	1		
	113	162274-2	CAM GEAR COVER GASKET	1		
	114	318443-5	CAM GEAR COVER	1		
	115	922222-1	HEX. SOCKET HEAD BOLT M5X16	3		
	116	135478-9	CYLINDER BLOCK ASSEMBLY	1		
	117	922222-1	HEX. SOCKET HEAD BOLT M5X16	6		
	118	424201-0	CHECK VALVE	2		
	119	346331-6	MUFFLER GASKET	1		
	120	168554-4	EXHAUST MUFFLER	1		
	121	266440-4	HEX SOCKET HEAD BOLT M5X40	2		
	122	168483-1	PULLEY	1		
	123	451731-8	MUFFLER PLATE	1		
	124	922218-2	H.S.H.BOLT M5X14 WITH WR	1		
	125	638707-4	LEAD UNIT	1		
	126	638708-2	LEAD UNIT	1		
	127	808633-3	4STROKE INDICATION LABEL	1		
	128	922218-2	H.S.H.BOLT M5X14 WITH WR	1		
	129	453266-5	CYLINDER COVER, EM2650LH	1		
	129	451734-2	CYLINDER COVER	1		
	130	922218-2	H.S.H.BOLT M5X14 WITH WR	1		
	131	424082-2	BUFFER RUBBER	1		
	132	922211-6	HEX. SOCKET HEAD BOLT M5X12	1		
	133	922226-3	HEX. SOCKET HEAD BOLT M5X18	2		
	134	318249-1	PIPE HOLDER	1		
	135	318250-6	PIPE HOLDER	1		
	136	424083-0	BUFFER RUBBER	1		
	137	424200-2	SPACER	2		
	138	234108-0	COMPRESSION SPRING 9	2		
	140	325669-2	EXHAUST VALVE	1		
	143	325670-7	INTAKE VALVE	1		
	144	257298-2	PISTON RING (TOP) 34	1		
	145	257299-0	PISTON RING (SECOND) 34	1		
	146	257300-1	PISTON RING 34	1		
	147	318441-9	PISTON	1		
	148	254040-2	WOODRUFF KEY 3	1		
	149	135481-0	CRANK SHAFT ASS'Y	1		
	150	213148-1	OIL SEAL 10	1		
	151	267400-9	FLAT WASHER 23	1		
	152	213147-3	OIL SEAL 12	1		
	153	257781-9	PISTON PIN	1		
	154	233976-8	CLIP	2		
	155	162323-5	OIL CASE GASKET	1		
	156	346083-9	LEAD VALVE	1		



PARTS BREAKDOWN

EM2650UH

rev 10_10/07/2013

Products with multiple versions are listed in subsiding order with the newest version on top not indented.

[Corresponding bulletins are attached. Select bulletin name or attachment to view.](#)

Tech Bulletin	Fig. No.	Part No.	Description	Q'ty	Unit	Notes
	157	318590-2	RETAINER PLATE	1		
	158	922112-8	HEX. SOCKET HEAD BOLT M4X10	1		
	159	318588-9	OIL CASE	1		
	160	922222-1	HEX. SOCKET HEAD BOLT M5X16	4		
	161	424344-8	DAMPER	1		
	162	346305-7	GASKET	1		
	163	266611-3	HEX BOLT M6X8	1		
	164	213548-5	O-RING 20	1		
	165	325665-0	JOINT PIPE	1		
	166	282020-8	HOSE CLAMP	1		
	167	325666-8	OIL WEIGHT	1		
	168	424301-6	OIL TUBE	1		
	169	452047-4	OIL CAP	1		
	170	424343-0	GASKET	1		
	171	452048-2	OIL PIPE	1		
	172	922218-2	H.S.H.BOLT M5X14 WITH WR	2		
	173	125728-0	FUEL TANK CAP ASSEMBLY	1		
93766	175	168755-4	TUBE CPL., EM2650LH	1		
	176	282020-8	HOSE CLAMP	1		
	177	163518-3	GASOLIN FILTER	1		
	178	452249-2	FUEL TANK	1		
	179	424080-6	BUFFER RUBBER	2		
	180	424081-4	BUFFER RUBBER	1		
	181	451737-6	TANK GUARD	1		
	182	922218-2	H.S.H.BOLT M5X14 WITH WR	4		
	183	195308-6	RECOIL STARTER SET	1		
	184	424319-7	STARTER KNOB	1		
	185	424359-5	DAMPER	1		
	187	266585-8	TAPPING SCREW 5X12	1		
	188	325923-4	SWING ARM	1		
	189	451938-6	COLLAR	1		
	190	451937-8	REEL	1		
	191	232258-5	SPIRAL SPRING	1		
	192	444023-2	STARTER ROPE	1		
	193	451733-4	STARTER CASE	1		
	194	922223-9	H.S.H.BOLT M5X16 WITH WR	4		
	196	816565-0	MAKITA LOGO LABEL	1		
	197	168762-7	CARBURETOR	1		
	197	168591-8	CARBURETOR	1		
	198	325922-6	SWIVEL	1		
	199	413140-9	WASHER	1		
	200	266581-6	PAN HEAD SCREW M3X8 WITH W	2		
	201	257964-1	STOP RING E-3	1		
	202	213538-8	O RING 2	1		
	203	325985-2	JET	1		
	204	234183-6	CONICAL COMPRESSION SPRING 5-9	1		
	205	442155-9	PUMP GASKET	1		
	206	168575-6	PUMP DIAPHRAGM	1		
	207	140437-0	PUMP BODY	1		
	208	352010-6	INLET SCREEN	1		
	209	442154-1	METERING DIAPHRAGM GASKET	1		



PARTS BREAKDOWN

EM2650UH

rev 10_10/07/2013

Products with multiple versions are listed in subsiding order with the newest version on top not indented.

[Corresponding bulletins are attached. Select bulletin name or attachment to view.](#)

Tech Bulletin	Fig. No.	Part No.	Description	Q'ty	Unit	Notes
	210	168620-7	METERING DIAPHRAGM	1		
	211	140438-8	AIR PURGE BODY	1		
	212	424314-7	PRIMER PUMP	1		
	213	346270-0	PRIMER PUMP COVER	1		
	214	266582-4	TAPPING SCREW 3X24	4		
	219	352020-3	SEPARATOR MESH, EM2650LH	1		
	220	453865-3	SEPARATOR CASE, EM2650LH	1		
	221	638706-6	LEAD UNIT	1		
	222	135398-7	PROTECTOR EXTENSION ASSY	1		
	223	266326-2	TAPPING SCREW 4X18	1		
	224	346074-0	CUTTER	1		
	225	819765-1	EM2650UH MODEL NO.LABEL	1		
	226	819432-8	CAUTION TAG	1		
	227	810455-9	CAUTION PLATE	1		
	228	891985-9	INDICATION LABEL	1		
Y06451	320	135599-7	SHORT BLOCK ASSEMBLY			
	A01	123143-2	BAND ASSEMBLY	1		
	A09	B-14118	STAR BLADE 230X4TX25.4	1		
	E01	266427-6	TAPPING SCREW 4X12	1		
	E02	452219-1	CHOKE PLATE	1		
	E03	452220-6	CHOKE LEVER	1		