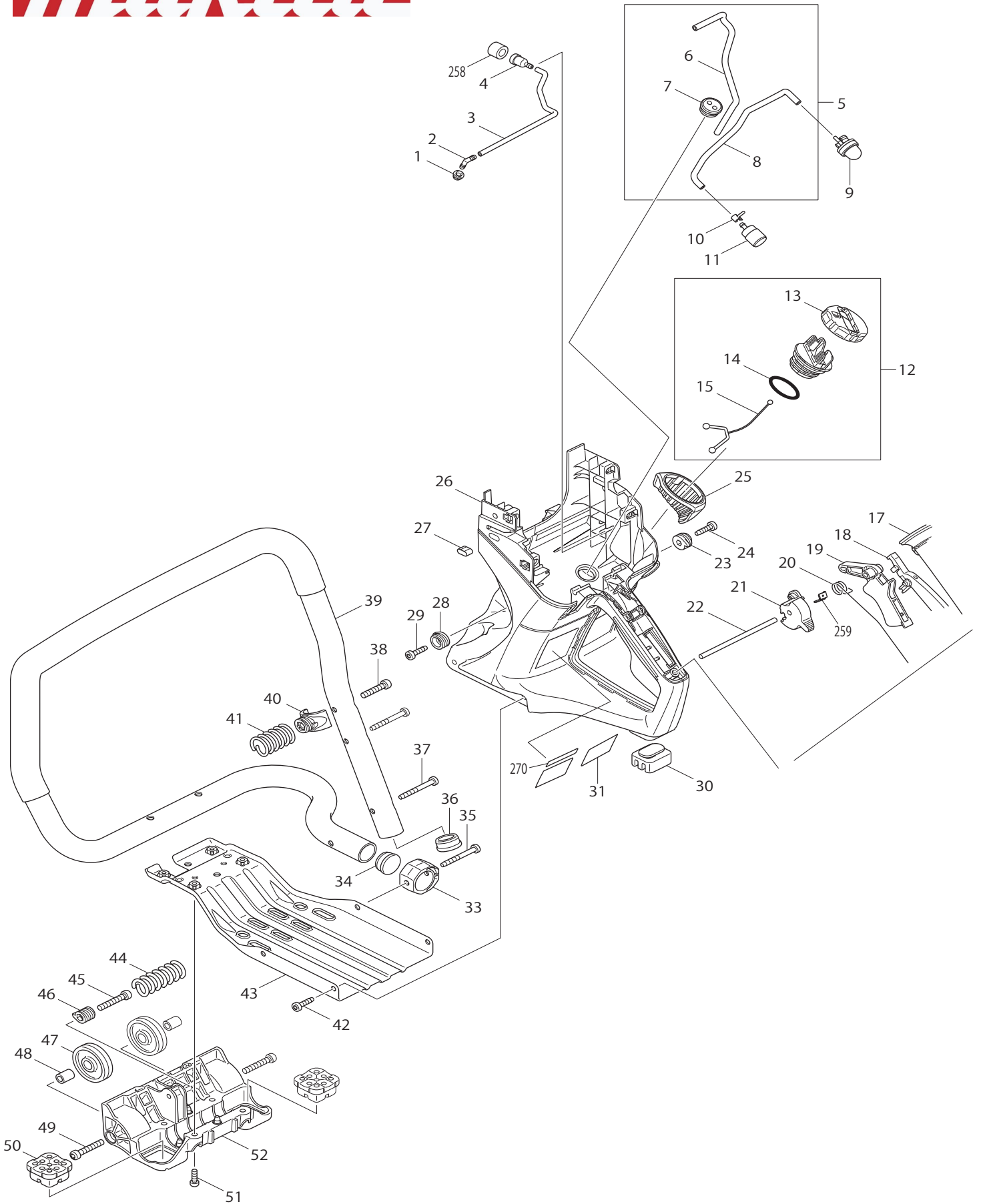
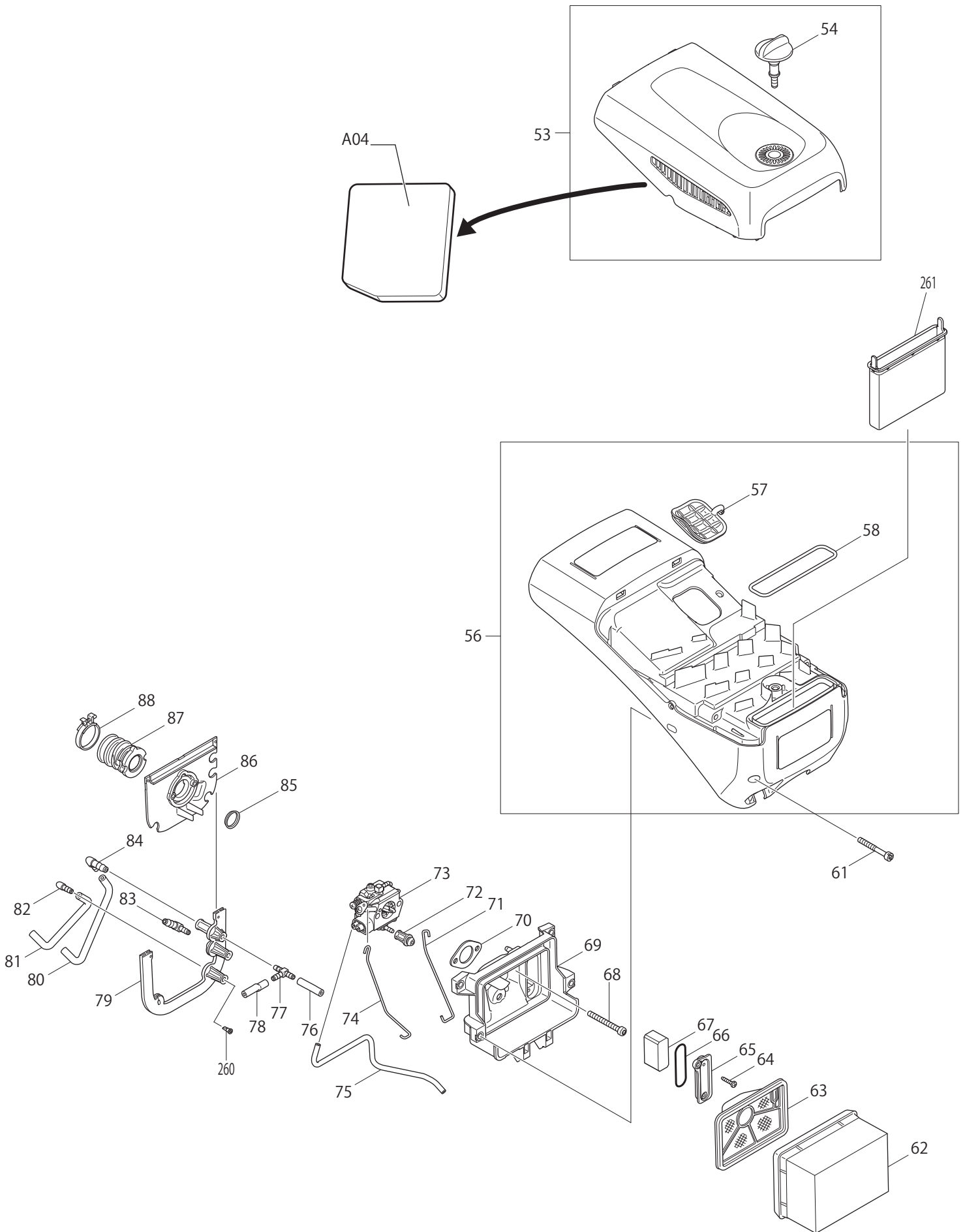
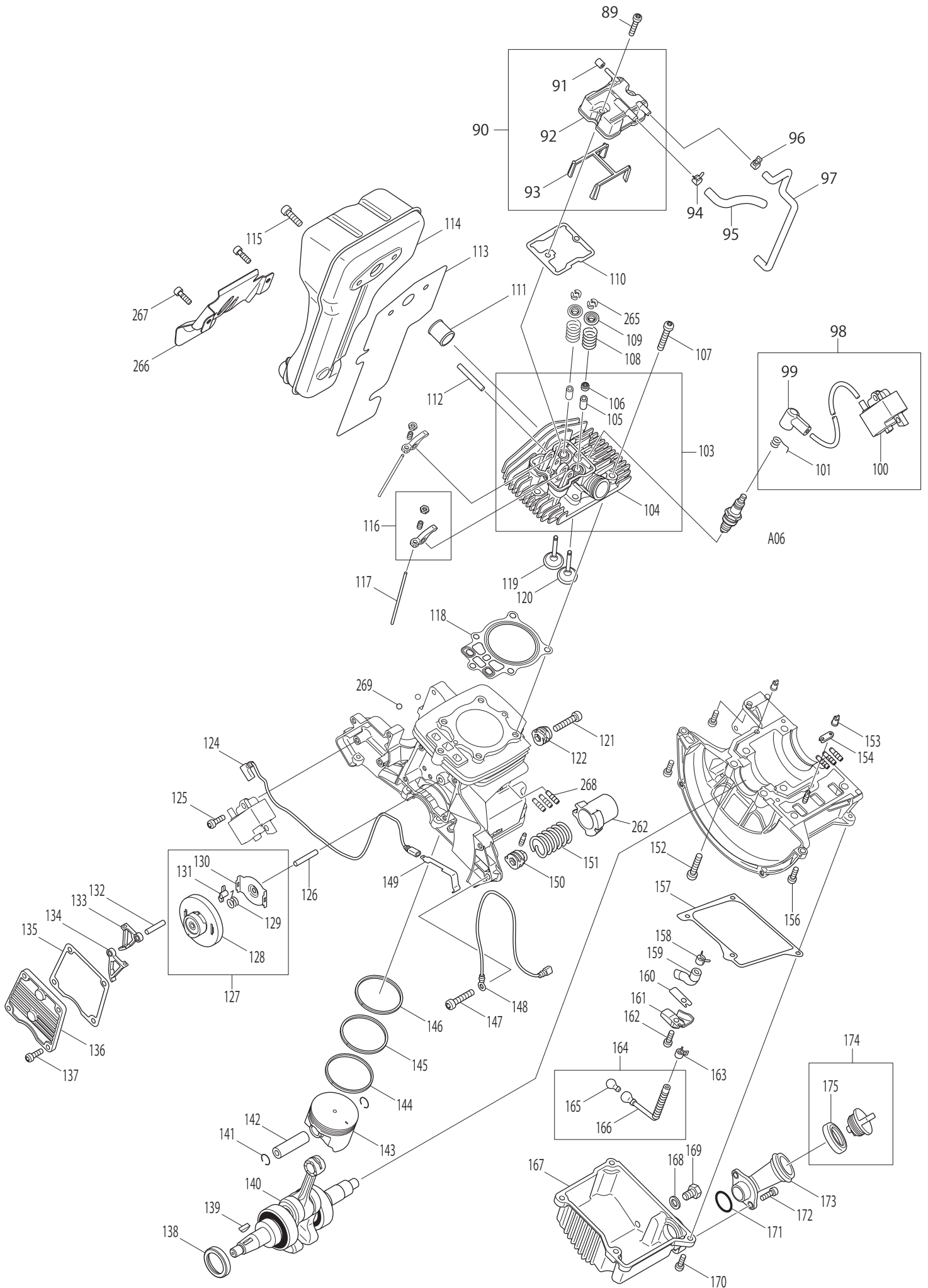




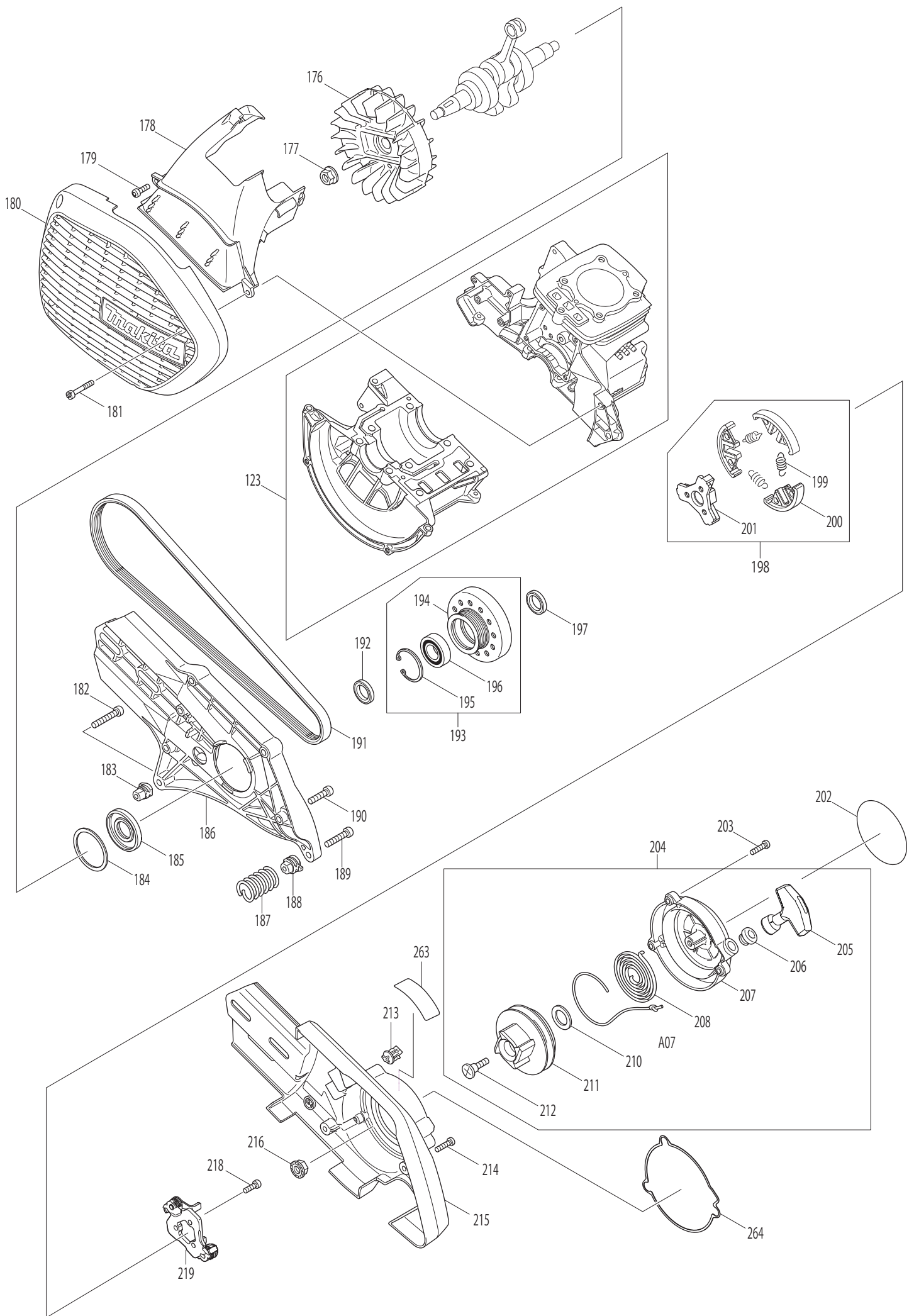
12 - 2012
EK7651H, EK7651HD
4 STRK POWER CUTTER 14"



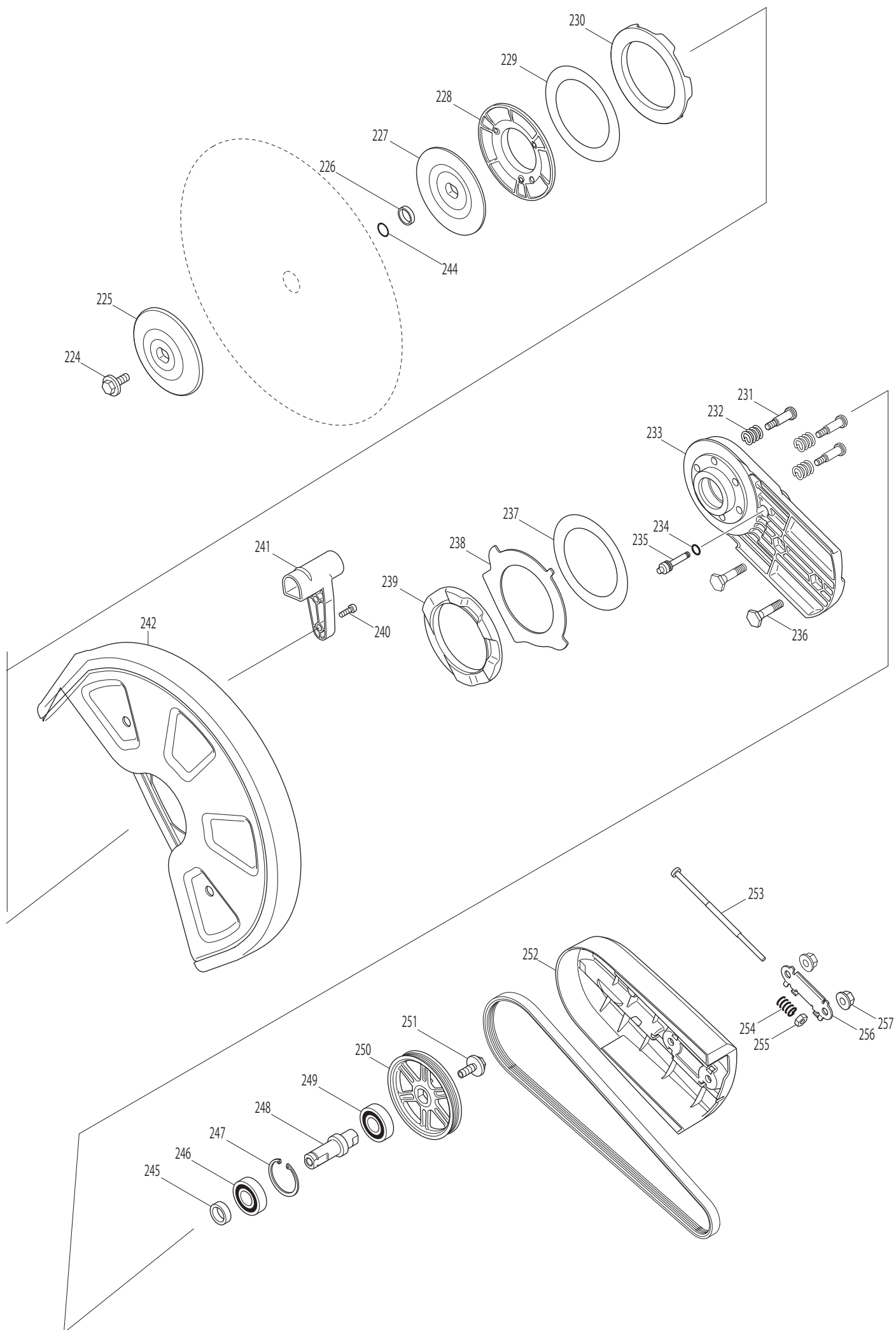




3 MODEL EK7651H, EK7651HD



4 MODEL EK7651H, EK7651HD



5 MODEL EK7651H, EK7651HD

| Item No | Type | Ref | Part No | Description | Qty | Unit |
|---------|------|------|----------|-----------------------------|-----|------|
| 1 | | | 421875-8 | GROMMET | 1 | PC. |
| 2 | | | 452800-8 | HOSE JOINT 4-4 | 1 | PC. |
| 3 | | | 422083-4 | TUBE 3-190 | 1 | PC. |
| 4 | | | 168396-6 | BREATHER | 1 | PC. |
| 5 | | | 168654-0 | TUBE COMPLETE | 1 | PC. |
| | | INC. | | ITEM NO. 6-8 | | |
| 6 | | | 422074-5 | TUBE 3-120 | 1 | PC. |
| 7 | | | 424101-4 | GROMMET | 1 | PC. |
| 8 | | | 422108-4 | TUBE L | 1 | PC. |
| 9 | | | 168398-2 | PRIMER PUMP | 1 | PC. |
| 10 | | | 324616-0 | HOSE CLAMP | 1 | PC. |
| 11 | | | 163447-0 | GASOLINE FILTER | 1 | PC. |
| 12 | | | 140831-6 | TANK CAP COMPLETE | 1 | PC. |
| | | INC. | | ITEM NO. 13-15 | | |
| 13 | | | 452697-5 | TANK CAP KNOB | 1 | PC. |
| 14 | | | 213080-9 | O RING 29.5 | 1 | PC. |
| 15 | | | 450957-9 | STRAP | 1 | PC. |
| 16 | | | 266475-5 | TAPPING SCREW TORX 5.5X20 | 1 | PC. |
| 17 | | | 452736-1 | GRIP COVER | 1 | PC. |
| 18 | | | 452722-2 | LOCK OFF LEVER | 1 | PC. |
| 19 | | | 452721-4 | THROTTLE LEVER | 1 | PC. |
| 20 | | | 233590-0 | TORSION SPRING 12 | 1 | PC. |
| 21 | | | 452723-0 | SWITCH LEVER | 1 | PC. |
| 22 | | | 256520-4 | ROD 5 | 1 | PC. |
| 23 | | | 452742-6 | REAR INNER HOLDER | 1 | PC. |
| 24 | | | 266475-5 | TAPPING SCREW TORX 5.5X20 | 1 | PC. |
| 25 | | | 424408-8 | TANK GUARD | 1 | PC. |
| 26 | | | 140774-2 | TANK COMPLETE | 1 | PC. |
| | | INC. | 898274-3 | INDICATION LABEL | 1 | PC. |
| | | INC. | 264066-6 | SQUARE NUT M5-10 (Added) | 4 | PC. |
| 27 | | | 424583-0 | PLUG | 1 | PC. |
| 28 | | | 452742-6 | REAR INNER HOLDER | 1 | PC. |
| 29 | | | 266475-5 | TAPPING SCREW TORX 5.5X20 | 1 | PC. |
| 30 | | | 424404-6 | REAR FOOT | 1 | PC. |
| 31 | | | 869686-7 | EK7651H NAME PLATE | 1 | PC. |
| 33 | | | 452737-9 | CLAMP | 1 | PC. |
| 34 | | | 424410-1 | RUBBER CAP | 1 | PC. |
| 35 | | | 266687-0 | TAPPING SCREW 5.5X45 | 1 | PC. |
| 36 | | | 424410-1 | RUBBER CAP | 1 | PC. |
| 37 | | | 266687-0 | TAPPING SCREW 5.5X45 | 2 | PC. |
| 38 | | | 266659-5 | H.L. SOCKET HEAD BOLT M6X30 | 1 | PC. |
| 39 | | | 331940-4 | FRONT HANDLE | 1 | PC. |
| 40 | | | 452741-8 | CENTER OUTER HOLDER | 1 | PC. |
| 41 | | | 234214-1 | COMPRESSION SPRING 16 | 1 | PC. |
| 42 | | | 266475-5 | TAPPING SCREW TORX 5.5X20 | 3 | PC. |
| 43 | | | 346433-8 | BOTTOM PLATE | 1 | PC. |
| 44 | | | 234213-3 | COMPRESSION SPRING 13 | 1 | PC. |
| 45 | | | 266659-5 | H.L. SOCKET HEAD BOLT M6X30 | 1 | PC. |
| 46 | | | 452740-0 | FRONT INNER HOLDER | 1 | PC. |
| 47 | | | 318727-1 | ROLLER 45 | 2 | PC. |
| 48 | | | 257972-2 | SLEEVE 6.5 | 2 | PC. |
| 49 | | | 266660-0 | H.L. SOCKET HEAD BOLT M6X35 | 2 | PC. |
| 50 | | | 424405-4 | FRONT FOOT | 2 | PC. |
| 51 | | | 266652-9 | H.L. SOCKET HEAD BOLT M5X16 | 4 | PC. |
| 52 | | | 318712-4 | GUARD | 1 | PC. |

| Item No | Type | Ref | Part No | Description | Qty | Unit |
|---------|------|------|----------|-----------------------------|-----|------|
| 53 | | | 140903-7 | TOP COVER COMPLETE | 1 | PC. |
| | | INC. | | ITEM NO. 54 | | |
| 54 | | | 266692-7 | THUMB SCREW M6X15 | 1 | PC. |
| 56 | | | 140902-9 | FILTER COVER COMPLETE | 1 | PC. |
| | | INC. | 800A37-1 | CAUTION LABEL, EN/FR/SP | 1 | PC. |
| | | INC. | 893208-1 | CAUTION LABEL, EN/FR/SP | 1 | PC. |
| | | INC. | 893209-9 | CAUTION LABEL, EN/FR/SP | 1 | PC. |
| | | INC. | | ITEM NO. 57,58 | | |
| 57 | | | 424409-6 | PLUG COVER | 1 | PC. |
| 58 | | | 424417-7 | PACKING | 1 | PC. |
| 61 | | | 266656-1 | H.L. SOCKET HEAD BOLT M5X40 | 4 | PC. |
| 62 | | | 442165-6 | AIR FILTER | 1 | PC. |
| 63 | | | 424399-3 | INNER FILTER | 1 | PC. |
| 64 | | | 266127-8 | + TAPPING SCREW PT 3X20 | 2 | PC. |
| 65 | | | 452739-5 | SEPARATER COVER | 1 | PC. |
| 66 | | | 213459-4 | O RING 32 | 1 | PC. |
| 67 | | | 352012-2 | SEPARATOR MESH | 1 | PC. |
| 68 | | | 266657-9 | H.L. SOCKET HEAD BOLT M5X45 | 2 | PC. |
| 69 | | | 452720-6 | FILTER BRACKET | 1 | PC. |
| 70 | | | 442166-4 | CARBURATOR GASKET | 1 | PC. |
| 71 | | | 326040-3 | THROTTLE LINKAGE | 1 | PC. |
| 72 | | | 424407-0 | RUBBER JOINT | 1 | PC. |
| 73 | | | 168815-2 | CARBURETOR | 1 | PC. |
| 74 | | | 326041-1 | CHOKE LINKAGE | 1 | PC. |
| 75 | | | 422077-9 | TUBE 3-190 | 1 | PC. |
| 76 | | | 422080-0 | TUBE 3-35 | 1 | PC. |
| 77 | | | 452952-5 | HOSE JOINT | 1 | PC. |
| 78 | | | 422079-5 | TUBE 3-45 | 1 | PC. |
| 79 | | | 424418-5 | SEAL | 1 | PC. |
| 80 | | | 422082-6 | TUBE 3-130 | 1 | PC. |
| 81 | | | 422081-8 | TUBE 3-75 | 1 | PC. |
| 82 | | | 452951-7 | HOSE JOINT 4-4 | 1 | PC. |
| 83 | | | 452799-7 | HOSE JOINT 4-6 | 1 | PC. |
| 84 | | | 452799-7 | HOSE JOINT 4-6 | 1 | PC. |
| 85 | | | 346397-6 | GUIDE RING | 1 | PC. |
| 86 | | | 452724-8 | CARBURETOR MOUNT | 1 | PC. |
| 87 | | | 424397-7 | SUCTION LINE | 1 | PC. |
| 88 | | | 346495-6 | HOSE CLAMP 30 | 1 | PC. |
| 89 | | | 266654-5 | H.L. SOCKET HEAD BOLT M5X25 | 2 | PC. |
| 90 | | | 140898-4 | ROCKER COVER COMPLETE | 1 | PC. |
| | | INC. | | ITEM NO. 91-93 | | |
| 91 | | | 422073-7 | TUBE 3-8 | 1 | PC. |
| 92 | | | 318708-5 | ROCKER COVER | 1 | PC. |
| 93 | | | 452726-4 | OIL LINE | 1 | PC. |
| 94 | | | 345918-1 | HOSE CLAMP | 1 | PC. |
| 95 | | | 422078-7 | TUBE 5-70 | 1 | PC. |
| 96 | | | 345918-1 | HOSE CLAMP | 1 | PC. |
| 97 | | | 422076-1 | TUBE 3-170 | 1 | PC. |
| 98 | | | 126006-1 | IGNITION COIL ASSEMBLY | 1 | PC. |
| | | INC. | | ITEM NO. 99-101 | | |
| 99 | | | 424105-6 | PLUG CAP | 1 | PC. |
| 100 | | | 125920-8 | IGNITION COIL | 1 | PC. |
| 101 | | | 326148-3 | PLUG CAP SPRING | 1 | PC. |
| 103 | | | 125946-0 | CYLINDER HEAD ASSEMBLY | 1 | PC. |
| | | INC. | | ITEM NO. 104-106 | | |

| Item No | Type | Ref | Part No | Description | Qty | Unit |
|---------|------|------|----------|-----------------------------|-----|------|
| 104 | | | 140928-1 | CYLINDER HEAD COMPLETE | 1 | PC. |
| 105 | | | 331969-0 | VALVE GUIDE | 2 | PC. |
| 106 | | | 424424-0 | VALVE STEM SEAL | 1 | PC. |
| 107 | | | 266660-0 | H.L. SOCKET HEAD BOLT M6X35 | 5 | PC. |
| 108 | | | 234212-5 | COMPRESSION SPRING 11 | 2 | PC. |
| 109 | | | 331966-6 | RETAINER | 2 | PC. |
| 110 | | | 346400-3 | ROCKER COVER GASKET | 1 | PC. |
| 111 | | | 331937-3 | EXHAUST PORT SPACER | 1 | PC. |
| 112 | 1 | | 256201-0 | PIN 5 | 1 | PC. |
| | 2 | | 268310-3 | PIN 5 | 1 | PC. |
| 113 | | | 346399-2 | MUFFLER GASKET | 1 | PC. |
| 114 | | | 168638-8 | EXHAUST MUFFLER | 1 | PC. |
| 115 | | | 266693-5 | H.L. SOCKET HEAD BOLT M6X18 | 3 | PC. |
| 116 | | | 126005-3 | ROCKER ARM ASSEMBLY | 2 | PC. |
| 117 | | | 256526-2 | PUSH ROD | 2 | PC. |
| 118 | | | 442167-2 | CYLINDER HEAD GASKET | 1 | PC. |
| 119 | | | 331965-8 | EXHAUST VALVE | 1 | PC. |
| 120 | | | 331964-0 | INTAKE VALVE | 1 | PC. |
| 121 | | | 266659-5 | H.L. SOCKET HEAD BOLT M6X30 | 1 | PC. |
| 122 | | | 318729-7 | CENTER INNER HOLDER | 1 | PC. |
| 123 | | | 140901-1 | CYLINDER BLOCK COMPLETE | 1 | PC. |
| 124 | | | 638776-5 | LEAD UNIT | 1 | PC. |
| 125 | | | 266652-9 | H.L. SOCKET HEAD BOLT M5X16 | 2 | PC. |
| 126 | | | 256200-2 | PIN 5 | 1 | PC. |
| 127 | | | 123299-1 | CAM GEAR ASSEMBLY | 1 | PC. |
| | | INC. | | ITEM NO. 128-131 | | |
| 128 | | | 140817-0 | CAM GEAR COMPLETE | 1 | PC. |
| 129 | | | 233623-1 | TORSION SPRING 9 | 1 | PC. |
| 130 | | | 346434-6 | CAM GEAR PLATE | 1 | PC. |
| 131 | | | 318707-7 | FLY WEIGHT | 1 | PC. |
| 132 | | | 256186-0 | PIN 5 | 1 | PC. |
| 133 | | | 313209-8 | CAM LIFTER L | 1 | PC. |
| 134 | | | 313210-3 | CAM LIFTER R | 1 | PC. |
| 135 | | | 442168-0 | CAM GEAR GASKET | 1 | PC. |
| 136 | | | 318725-5 | CAM GEAR COVER | 1 | PC. |
| 137 | | | 266652-9 | H.L. SOCKET HEAD BOLT M5X16 | 4 | PC. |
| 138 | | | 213599-8 | OIL SEAL(S) | 1 | PC. |
| 139 | | | 254001-2 | WOODRUFF KEY 4 | 1 | PC. |
| 140 | | | 140900-3 | CRANKSHAFT COMPLETE | 1 | PC. |
| 141 | | | 233995-4 | RING SPRING 12 | 2 | PC. |
| 142 | | | 326039-8 | PISTON PIN | 1 | PC. |
| 143 | | | 318726-3 | PISTON | 1 | PC. |
| 144 | | | 257332-8 | SECOND RING | 1 | PC. |
| 145 | | | 257333-6 | OIL RING | 1 | PC. |
| 146 | | | 257331-0 | TOP RING | 1 | PC. |
| 147 | | | 266659-5 | H.L. SOCKET HEAD BOLT M6X30 | 1 | PC. |
| 148 | | | 638777-3 | LEAD UNIT | 1 | PC. |
| 149 | | | 232268-2 | CONTACT SPRING | 1 | PC. |
| 150 | | | 318730-2 | REAR OUTER HOLDER | 1 | PC. |
| 151 | | | 234214-1 | COMPRESSION SPRING 16 | 1 | PC. |
| 152 | | | 266659-5 | H.L. SOCKET HEAD BOLT M6X30 | 8 | PC. |
| 153 | | | 424201-0 | CHECK VALVE | 2 | PC. |
| 154 | | | 424406-2 | GROMMET | 1 | PC. |
| 156 | | | 266652-9 | H.L. SOCKET HEAD BOLT M5X16 | 3 | PC. |
| 157 | | | 452738-7 | OIL CASE GASKET | 1 | PC. |

| Item No | Type | Ref | Part No | Description | Qty | Unit |
|---------|------|------|----------|------------------------------|-----|------|
| 158 | | | 345918-1 | HOSE CLAMP | 1 | PC. |
| 159 | | | 422084-2 | TUBE 5-55 | 1 | PC. |
| 160 | | | 346398-4 | LEAD VALVE | 1 | PC. |
| 161 | | | 318709-3 | RETAINER PLATE | 1 | PC. |
| 162 | | | 266652-9 | H.L. SOCKET HEAD BOLT M5X16 | 1 | PC. |
| 163 | | | 345918-1 | HOSE CLAMP | 1 | PC. |
| 164 | | | 168655-8 | OIL TUBE COMPLETE | 1 | PC. |
| | | INC. | | ITEM NO. 165,166 | | |
| 165 | | | 326177-6 | OIL WEIGHT | 1 | PC. |
| 166 | | | 424384-6 | OIL TUBE | 1 | PC. |
| 167 | | | 318710-8 | OIL CASE | 1 | PC. |
| 168 | | | 346452-4 | GASKET | 1 | PC. |
| 169 | | | 921412-3 | HEX. BOLT M8X12 | 1 | PC. |
| 170 | | | 266652-9 | H.L. SOCKET HEAD BOLT M5X16 | 4 | PC. |
| 171 | | | 213548-5 | O-RING 20 | 1 | PC. |
| 172 | | | 266862-8 | H.L.S.H. BOLT M5X16 WITH WR | 2 | PC. |
| 173 | | | 452614-5 | OIL PIPE | 1 | PC. |
| 174 | | | 140899-2 | OIL CAP COMPLETE | 1 | PC. |
| | | INC. | | ITEM NO. 175 | | |
| 175 | | | 424421-6 | OIL CAP GASKET | 1 | PC. |
| 176 | | | 318704-3 | FLYWHEEL | 1 | PC. |
| 177 | | | 264054-3 | FLANGE NUT M10 | 1 | PC. |
| 178 | | | 452617-9 | CYLINDER COVER | 1 | PC. |
| 179 | | | 266652-9 | H.L. SOCKET HEAD BOLT M5X16 | 1 | PC. |
| 180 | | | 452616-1 | FAN COVER | 1 | PC. |
| 181 | | | 266655-3 | H.L. SOCKET HEAD BOLT M5X30 | 4 | PC. |
| 182 | | | 266659-5 | H.L. SOCKET HEAD BOLT M6X30 | 1 | PC. |
| 183 | | | 318728-9 | FRONT OUTER HOLDER | 1 | PC. |
| 184 | | | 267448-1 | FLAT WASHER 41 | 1 | PC. |
| 185 | | | 213598-0 | OIL SEAL(L) | 1 | PC. |
| 186 | 1 | | 318711-6 | * CUTTING ARM | 1 | PC. |
| | 2 | | 319234-7 | * CUTTING ARM | 1 | PC. |
| 187 | | | 234214-1 | COMPRESSION SPRING 16 | 1 | PC. |
| 188 | | | 318730-2 | REAR OUTER HOLDER | 1 | PC. |
| 189 | | | 266659-5 | H.L. SOCKET HEAD BOLT M6X30 | 1 | PC. |
| 190 | | | 266658-7 | H.L. SOCKET HEAD BOLT M6X25 | 5 | PC. |
| 191 | | | 225094-6 | V BELT 5-800 | 1 | PC. |
| 192 | | | 331970-5 | SPACER17 | 1 | PC. |
| 193 | | | 125945-2 | CLUTCH DRUM ASSEMBLY | 1 | PC. |
| | | INC. | | ITEM NO. 194-196 | | |
| 194 | | | 165636-3 | CLUTCH DRUM | 1 | PC. |
| 195 | | | 962163-9 | RETAINING RING R-35 | 1 | PC. |
| 196 | | | 210138-5 | BALL BEARING 6003LLU | 1 | PC. |
| 197 | | | 331970-5 | SPACER17 | 1 | PC. |
| 198 | | | 168834-8 | CLUTCH COMPLETE | 1 | PC. |
| | | INC. | | ITEM NO. 199-201 | | |
| 199 | | | 231884-7 | TENSION SPRING 6 | 3 | PC. |
| 200 | | | 313207-2 | CLUTCH SHOE | 3 | PC. |
| 201 | | | 313208-0 | CLUTCH HOLDER | 1 | PC. |
| 202 | | | 893121-3 | EK7651H MODEL NO.LABEL | 1 | PC. |
| 202A | | | 802Y48-6 | EK7651HD MODEL NO.LABEL | 1 | PC. |
| 203 | | | 266792-3 | -H.L. SOCKET HEAD BOLT M5X18 | 3 | PC. |
| 204 | | | 125919-3 | STARTER ASSEMBLY | 1 | PC. |
| | | INC. | | ITEM NO. 205-212 | | |

| Item No | Type | Ref | Part No | Description | Qty | Unit |
|---------|------|------|----------|-----------------------------|-----|------|
| 205 | | | 424501-8 | STARTER KNOB | 1 | PC. |
| 206 | | | 332046-1 | ROPE GUIDE | 1 | PC. |
| 207 | | | 452613-7 | STARTER CASE | 1 | PC. |
| 208 | | | 232262-4 | SPIRAL SPRING | 1 | PC. |
| 210 | | | 424500-0 | ROPE STOPPER | 1 | PC. |
| 211 | | | 453466-7 | REEL | 1 | PC. |
| 212 | | | 266634-1 | SET SCREW M6X20 | 1 | PC. |
| 213 | | | 452930-5 | HOLDER | 1 | PC. |
| 214 | | | 266653-7 | H.L. SOCKET HEAD BOLT M5X20 | 3 | PC. |
| 215 | 1 | | 452621-8 | * CLUTCH COVER | 1 | PC. |
| | 2 | | 455559-6 | * CLUTCH COVER | 1 | PC. |
| 216 | | | 264080-2 | HEX. LOCK NUT M10-17 | 1 | PC. |
| 218 | | | 266784-2 | H.L. SOCKET HEAD BOLT M5X12 | 3 | PC. |
| 219 | | | 140816-2 | RATCHET COMPLETE | 1 | PC. |
| 224 | | | 266690-1 | HEX. BOLT M8X25 | 1 | PC. |
| 225 | | | 224443-4 | FLANGE 102 | 1 | PC. |
| 226 | | | 257314-0 | RING 17 F/EK7651HD (Type 1) | 1 | PC. |
| 226A | | | 257312-4 | RING17 F/EK7651H (Type 1) | 1 | PC. |
| 227 | | | 224443-4 | FLANGE 102 | 1 | PC. |
| 228 | | | 318746-7 | PRESSURE RING | 1 | PC. |
| 229 | | | 442169-8 | SLIDING DISC | 1 | PC. |
| 230 | | | 424426-6 | RUBBER RING(INNER) | 1 | PC. |
| 231 | | | 266689-6 | H.L.COLLRAR BOLT M6 | 3 | PC. |
| 232 | | | 234216-7 | COMPRESSION SPRING 8 | 3 | PC. |
| 233 | | | 318722-1 | CUTTING DEVICE | 1 | PC. |
| 234 | | | 213625-3 | O-RING 9 | 1 | PC. |
| 235 | | | 326038-0 | LOCK SHAFT | 1 | PC. |
| 236 | | | 266688-8 | HEX. BOLT M8 | 2 | PC. |
| 237 | | | 442169-8 | SLIDING DISC | 1 | PC. |
| 238 | | | 346455-8 | IMPACT PLATE | 1 | PC. |
| 239 | | | 424427-4 | RUBBER RING(OUTER) | 1 | PC. |
| 240 | | | 266725-8 | -H.L.SOCKET HEAD BOLT M5X16 | 2 | PC. |
| 241 | | | 452938-9 | GRIP | 1 | PC. |
| 242 | | | 140926-5 | HOOD COMPLETE | 1 | PC. |
| | | INC. | 892688-8 | CAUTION LABEL | 1 | PC. |
| | | INC. | 893217-0 | CAUTION LABEL, FR/SP | 1 | PC. |
| 244 | | | 213162-7 | O RING 14 (Type 1) | 1 | PC. |
| 245 | | | 257971-4 | RING 17 | 2 | PC. |
| 246 | | | 211281-3 | BALL BEARING 6203LLU | 1 | PC. |
| 247 | | | 962157-4 | RETAINING RING R-40 | 1 | PC. |
| 248 | | | 326379-4 | SPINDLE 20MM F/EK7651H | 1 | PC. |
| | | | 326380-9 | SPINDLE 1" F/EK7651HD | 1 | PC. |
| 249 | | | 211281-3 | BALL BEARING 6203LLU | 1 | PC. |
| 250 | | | 222174-9 | V PULLEY 5-95.8 | 1 | PC. |
| 251 | | | 266690-1 | HEX. BOLT M8X25 | 1 | PC. |
| 252 | 1 | | 452698-3 | * BELT COVER | 1 | PC. |
| | 2 | | 455936-2 | * BELT COVER | 1 | PC. |
| 253 | | | 266691-9 | TENSIONING SCREW M6 | 1 | PC. |
| 254 | | | 234215-9 | COMPRESSION SPRING 6 | 1 | PC. |
| 255 | | | 252157-5 | SQUARE NUT M6 | 1 | PC. |
| 256 | | | 346457-4 | PLATE | 1 | PC. |
| 257 | 1 | | 264081-0 | * HEX. NUT M8 | 2 | PC. |
| | 2 | | 264055-1 | * COLLARED HEX.NUT M8 | 2 | PC. |

| Item No | Type | Ref | Part No | Description | Qty | Unit |
|--------------------|------|-----|-------------|---|-----|------|
| 259 | | | 346554-6 | PLATE | 1 | PC. |
| 260 | | | 424316-3 | CHECK VALVE | 1 | PC. |
| 262 | | | 424499-9 | RUBBER SLEEVE 22 | 1 | PC. |
| 263 | | | 800E23-6 | CAUTION LABEL | 1 | PC. |
| 264 | | | 346611-0 | STARTER COVER GASKET | 1 | PC. |
| 265 | | | 331967-4 | COTTER | 4 | PC. |
| 266 | | | 346589-7 | MUFFLER GUARD | 1 | PC. |
| 267 | | | 266782-6 | H.L.S. HEAD BOLT M5X16 WITH WG | 2 | PC. |
| 268 | | | 325665-0 | JOINT PIPE | 4 | PC. |
| 269 | | | 331897-9 | BALL | 2 | PC. |
| 270 | | | 897179-4 | SERIAL NO. LABEL | 1 | PC. |
| E01 | | | 898428-2 | CAUTION PLATE | 1 | PC. |
| E02 | | | 898748-4 | CAUTION TAG, 10 LANG | 1 | PC. |
| E03 | | | 898856-1 | CAUTION TAG, EN/FR/SP | 1 | PC. |
| E04 | | | 800C27-6 | GAS EMISSION APPROVAL LABEL | 1 | PC. |
| C01 | | | 872173-7 | CARTON F/EK7651H, EK7651HD | 1 | PC. |
| ACCESSORIES | | | | - See Catalogue or visit www.makita.ca for more accessories - | | |
| A01 | | | 195488-8 | TOOL KIT | 1 | PC. |
| | INC. | | 782025-3 | TORX WRENCH | 1 | PC. |
| | INC. | | 782236-0 | WRENCH 13-16 | 1 | PC. |
| | INC. | | 783012-5 | SCREWDRIVER | 1 | PC. |
| | INC. | | 831340-3 | TOOL BAG - N/A individually | 1 | PC. |
| A02 | | | 195532-1 | OIL BOTTLE SET | 1 | SET |
| | INC. | | 041031-0 | ENGINE OIL SL 0.22L - N/A individually | 1 | PC. |
| | INC. | | 452801-6 | BOTTLE - N/A individually | 1 | PC. |
| | INC. | | 890509-8 | OIL BOTTLE LABEL - N/A individually | 1 | PC. |
| | Opt. | | T-02490 | PREM MM4 ENGINE OIL 12/CS | 1 | PC. |
| A03 | | | 195533-9 | WATER SET | 1 | SET |
| | INC. | | 123120-4 | COUPLING SLEEVE | 1 | PC. |
| | INC. | | 126068-9 | WATER SET PART | 1 | PC. |
| | INC. | | 266707-0 | H.L.SOCKET HEAD BOLT M5X10 | 1 | PC. |
| | INC. | | 452930-5 | HOLDER | 1 | PC. |
| A04 | | | 195945-6 | PRE FILTER SET | 1 | SET |
| | INC. | | 424398-5 | PRE FILTER - N/A individually | 1 | PC. |
| | INC. | | 831200-9 | POLY BAG 200X270 | 1 | PC. |
| | INC. | | 898702-8 | CAUTION LABEL - N/A individually | 1 | PC. |
| A05 | | | 191686-2 | SAFETY GOGGLE | 1 | PC. |
| A06 | | | 168652-4 | SPARK PLUG NGK CMR6H | 1 | PC. |
| A07 | | | 444040-2 | STARTER ROPE | 1 | PC. |
| A08 | | | 166106-5 | DUST BAG | 1 | PC. |
| A09 | | | 394 369 610 | GUIDE TROLLEY COM. (DT4000) | 1 | PC. |
| A10 | | | 966 144 120 | 14" CUTTING DISK F/STONE 1" (F/EK7651HD) | 1 | PC. |
| A10A | | | 966 141 120 | 14" CUTTING DISK F/STONE 20MM (F/EK7651H) | 1 | PC. |
| A11 | | | 966 144 150 | 14" CUTTING DISK F/STEEL 1" (F/EK7651HD) | 1 | PC. |
| A11A | | | 966 141 150 | 14" CUTTING DISK F/STEEL 20MM (F/EK7651H) | 1 | PC. |
| A12 | | | A-94736 | 14" DIAMOND 1"/20MM | 1 | PC. |
| A13 | | | 196588-7 | RING SET | 1 | PC. |
| A14 | | | 980 008 629 | FILTER CLEANER/OIL SET | 1 | PC. |
| A15 | | | T-02836 | 14" DMND BLADE 3D DUAL 1"/20MM | 1 | PC. |