



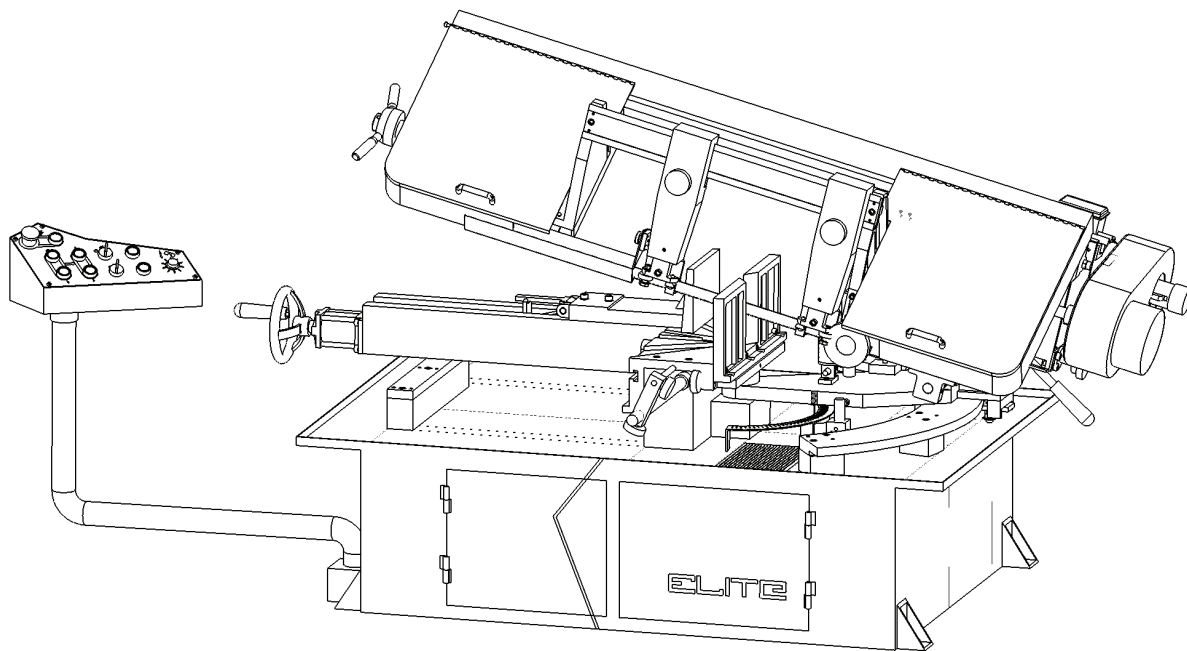
ELITE

HIGH PERFORMANCE MACHINERY

Operating Instructions and Parts Manual

Horizontal Band Saw

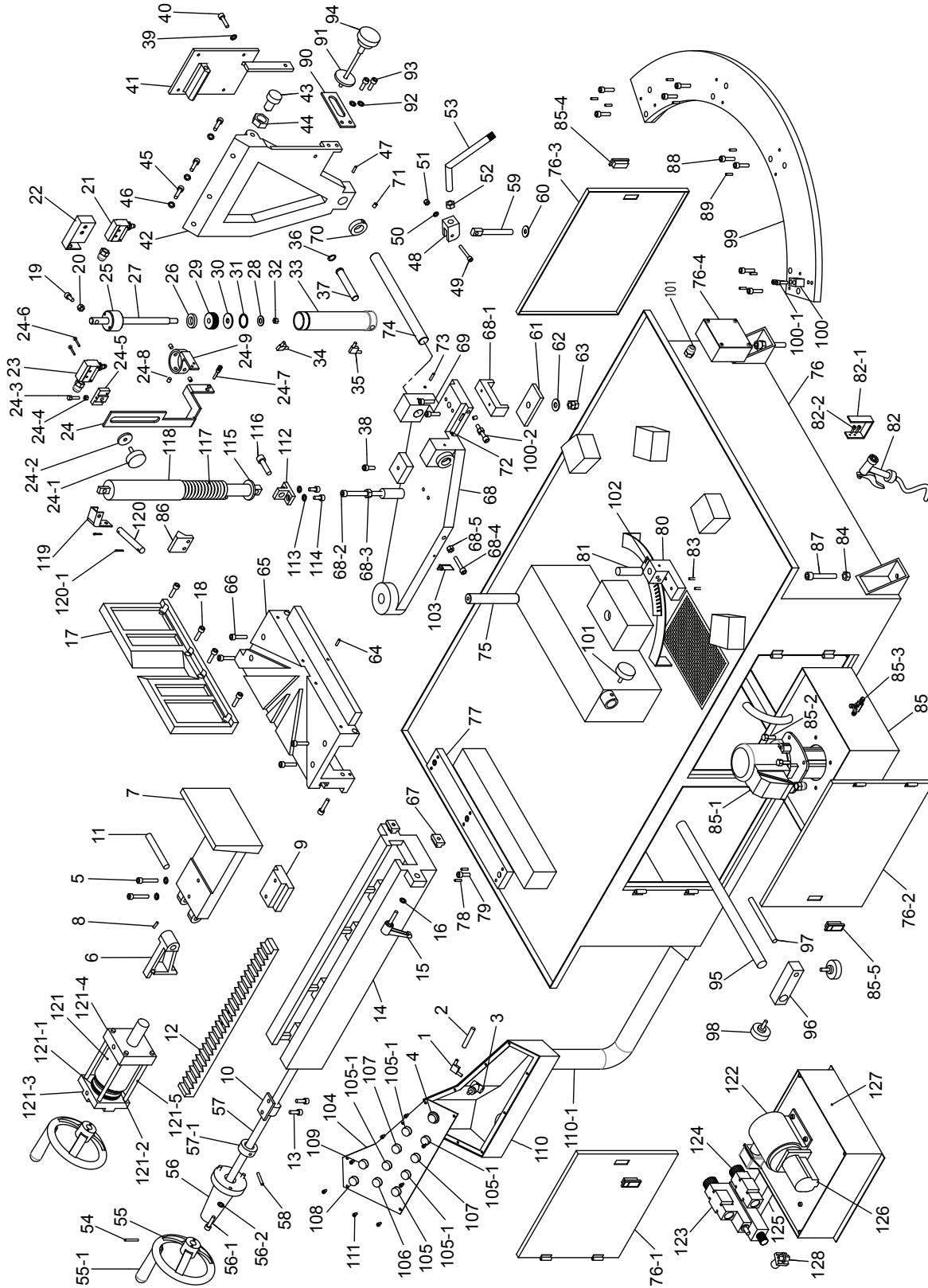
Models EHB-1018VM | EHB-1018VMH



JET®
427 New Sanford Road
LaVergne, Tennessee 37086
www.jettools.com
Ph.: 855-336-4032

Part No. M-891070
REV B2 08/2014
Copyright © 2014 JET

SAW STAND AND BED ASSEMBLY — EHB 1018VM, 1018VMH





PARTS LIST EHB-1018VM, EHB-1018VMH

Index No.	Part No.	Description	Size	Qty.
1	EHB916V-64	Fitting		1
2	EHB916V-65	Tubing	5/16"× 65"	2
3	EHB1018VM-66	Valve		1
4	EHB1018VM-67	Feed Knob		1
5	TS-0209071	Socket Head Cap Screw	3/8 × 1-1/2"	2
6	EHB1018VM-191	Rack block		1
7	EHB1018VM-192	Vise jaw Bracket		1
8	TS-0267041	Set Screw	1/4-20 × 3/8"	1
9	EHB1018VM-194	Rack block		1
10	EHB1018VM-195	Acme Nut Assembly		1
11	EHB1018VM-196	Fixed Pin		1
12	EHB1018VM-197	Rack		1
13	TS-0081031	Hex Cap Screw	5/16-18 × 3/4"	2
14	EHB1018VM-199	Moveable Bed		1
15	EHB1018VM-200	Adjustable Handle		1
16	TS-0680041	Flat Washer	3/8"	1
17	EHB1018VM-202	Vise Jaw Bracket (fixed)		1
18	TS-0208071	Socket Head Cap Screw	5/16"-18 × 1-1/4"	4
19	TS-0060081	Hex Cap Screw	3/8-16 × 1-3/4"	1
20	TS-0561031	Hex Nut	3/8"	1
21	EHB916V-206	Limit Switch		1
22	EHB1018VM-207	Limit Switch Seat(Ser No.13080024 and lower)		1
	EHB1018VM-207N	Limit Switch Seat(Ser No.xxxx0025 and higher)		1
23	EHB1018VM-208	Limit Switch		1
24	EHB1018VM-209	Bracket		1
24-1	EHB916V-209-1	Knob		1
24-2	EHB916V-191	Special Washer		1
24-3	EHB1018VM-209-3	Screw		1
24-4	TS-0561011	Nut		1
24-5	EHB1018VM-209-5	Block		1
24-6	EHB1018VM-209-6	Screw		2
24-7	EHB1018VM-209-7	Screw		2
24-8	EHB916V-225	Screw		3
24-9	EHB1018VM-209-9	Ring		1
	EHB1018VM-OHCA	Oil Hydraulic Cylinder Assembly (includes # 25-33)		1
25	EHB916V-210	Cap		1
26	EHB916V-211	Oil Seal	20.35.7	1
27	EHB1018VM-213	Rod		1
28	TS-0680031	Flat Washer	5/16"	1
29	EHB916V-215	Piston		1
30	EHB916V-216	Seal		1
31	EHB916V-217	Inoin Ring		1
32	TS-0561021	Hex Nut	5/16" x 18T	2
33	EHB916V-219	Tube Assembly		1
34	EHB916V-221	Tube Fitting		1

Index No.	Part No.	Description	Size	Qty.
35	EHB916V-222	Tube Fitting		1
36	EHB916V-223	Retaining Ring	S-17	1
37	EHB916V-224	Pivot Shaft		1
38	EHB916V-225	Socket Set Screw	3/8"-16T × 3/8"	1
39	TS-0680031	Flat Washer	5/16"	4
40	TS-0051051	Hex Cap Screw	5/16 × 1"	4
41	EHB916V-232	Motor Plate		1
42	EHB1018V-233	Rear Pivot Bracket		1
43	EHB916V-234	Socket Set Screw	1/2" x 2"	2
44	EHB916V-235	Hex Nut	1/2"-12	2
45	TS-0209081	Socket Head Cap Screw	3/8"-16T × 1-3/4"	3
46	TS-0680041	Flat Washer	3/8"	3
47	TS-0271051	Set Screw	3/8"-16 × 1/2"	1
48	EHB1018VM-241	Eccentric		1
49	TS-0051011	Hex Cap Screw	5/16 x 1-1/2"	1
50	TS-0680031	Flat Washer	5/16"	1
51	TS-0561021	Hex Nut	5/16 x 18T	1
52	TS-0561071	Hex Nut.	5/8"	1
53	EHB1018VM-247	Handle		1
54	EHB916V-248	Pin (not show)		1
55	EHB916V-249	Hand Wheel		1
55-1	EHB916V-249-1	Handle		1
56	EHB1018VM-250	Seat (1018VM only)		1
56-1	TS-0051051	Hex Cap Screw (1018VM only)	5/16"-18 × 1"	2
56-2	TS-0720081	Lock Washer (1018VM only)	5/16"	2
57	EHB1018VM-252	Acme Screw(1018VM only)		1
57	EHB1018VMH-252	Acme Screw(1018VMH only)(not shown)		1
57-1	EHB916V-252-1	Collar		1
58	EHB916V-253	Roll Pin	6 ø ×30 ø	1
59	EHB1018VM-254	Locking screw		1
60	EHB1018VM-255	Special Washer		1
61	EHB1018VM-256	Locking pieces		1
62	TS-0680061	Flat Washer	1/2"	1
63	TS-0561051	Hex Nut.	1/2"-12	2
64	TS-0267121	Socket Set Screw	1/4 x 3/4"	1
65	EHB1018VM-260	Table		1
66	TS-0208061	Socket Head Cap Screw	5/16" × 1"	4
67	EHB1018VM-262	Block		1
68	EHB1018VM-263	Swiveling Seat		1
68-1	EHB1018VM-263-1	Support Seat		1
68-2	TS-0070161	Hex Cap Screw	1/2 x 5-1/2	1
68-3	TS-0640111	Hex Nut	1/2"	1
68-4	TS-0060071	Hex Cap Screw	3/8 x 1-1/2	1
68-5	TS-0570031	Hex Nut.	3/8"-16	1
69	TS-0050031	Hex Cap Screw	1/4" × 3/4"	2
70	EHB916V-265	Collar		2
71	TS-0271031	Socket Set Screw	3/8-16T ×3/8"	4
72	EHB916V-267	Copper		2

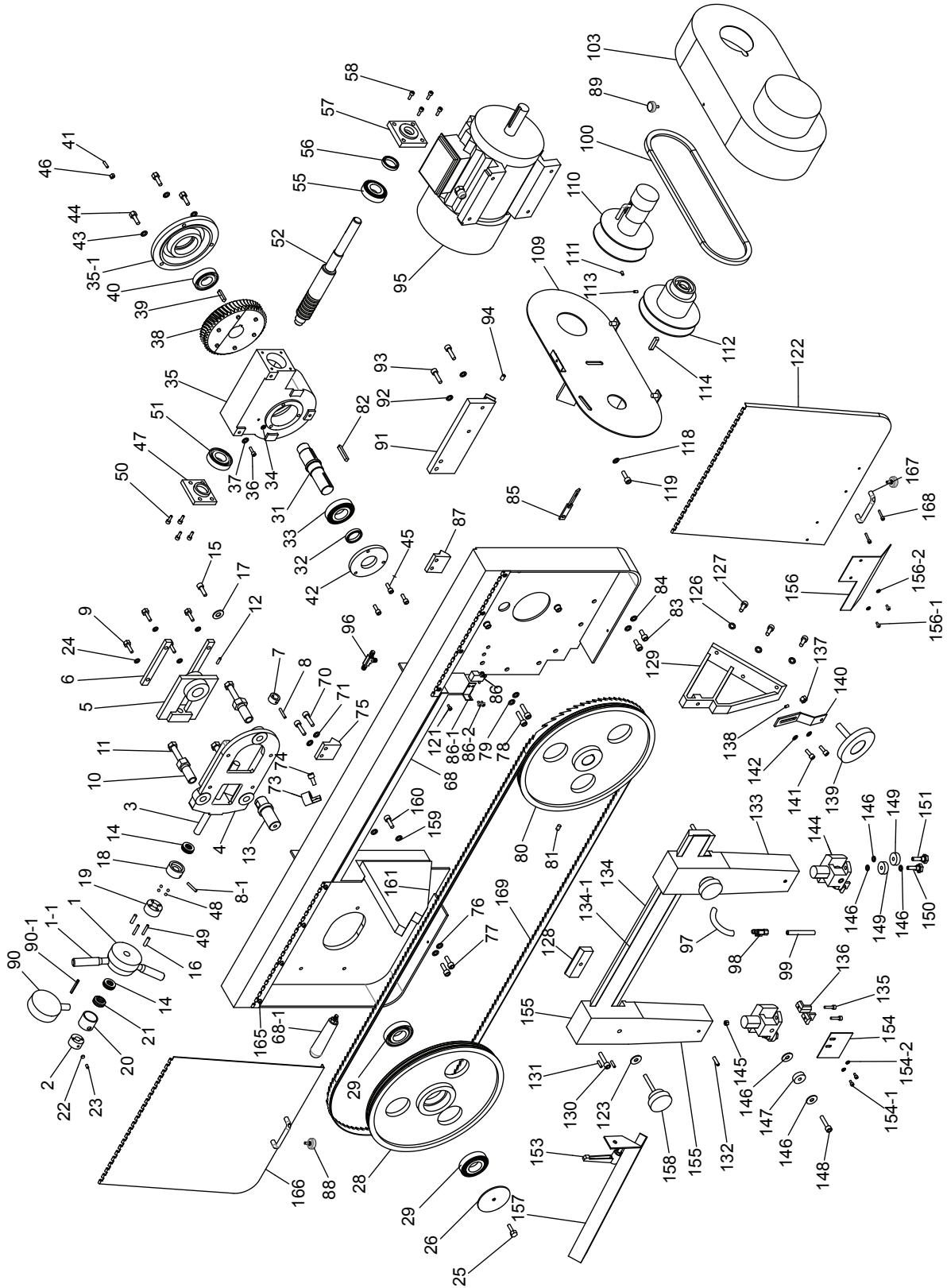


Index No.	Part No.	Description	Size	Qty.
73	TS-0271031	Socket Set Screw	3/8-16T x 3/8"	2
74	EHB916V-269	Pivot Shaft		1
75	EHB1018VM-270	Spindle		1
76	EHB1018VM-271	Base Assembly		1
76-1	EHB1018VM-271-1	Base Lid		1
76-2	EHB1018VM-271-2	Base Lid		1
76-3	EHB1018VM-271-3	Door		1
76-4	EHB1018VM-271-4	Wiring box		1
77	EHB1018VM-272	Sliding Surface		1
78	TS-0267071	Socket Set Screw	1/4-20 x 3/4"	6
79	TS-0208061	Socket Head Cap Screw	5/16"-18 x 1"	3
80	EHB1018VM-276	Seat		1
81	EHB1018VM-277	Movable Block		1
82	EHB916V-278	Gun Set		1
82-1	EHB916V-278-1	Hook		1
82-2	EHB916V-278-2	Hex Cap Screw		2
83	TS-0051051	Hex Cap Screw	5/16"-18 x 1"	2
84	TS-0561051	Hex Nut	1/2"-12T	4
85	EHB1018VM-281	Coolant Tank		1
85-1	EHB1018VM-281-1	Coolant Pump		1
85-2	EHB916V-281-2	Pan Head Machine Screw		4
85-3	EHB916V-96	3 Way Coolant Block		1
85-4	EHB916V-281-4	Lock W/Key		1
85-5	EHB916V-281-5	Lock W/o Key		2
86	EHB1018VM-282	Bracket		1
87	TS-0070051	Hex Cap Screw	1/2"-12 x 2"	4
88	TS-0208071	Socket Head Cap Screw	5/16' x 1-1/4"	8
89	TS-0267071	Set Screw	1/4"-20 x 3/4"	8
90	EHB1018VM-286	Strap		1
91	EHB916V-26	Special Washer		1
92	TS-0680021	Flat Washer	1/4"	2
93	TS-0050031	Hex Cap Screw	1/4"-20 x 3/4"	2
94	EHB916V-245	Knob		1
	EHB1018VM-SA	Adj. Stock Stop Assembly (includes #95-98,#101)	1	
95	EHB1018V-258	Shaft	7/8"	1
96	EHB1018VM-292	Stop Bracket		1
97	EHB1018V-260	Bar		1
98	EHB916V-257	Knob		2
99	EHB1018VM-295	Arch Seat		1
100	EHB1018VM-296	Support Block		1
100-1	EHB1018VM-296-1	Socket Head Cap Screw		2
100-2	EHB1018VM-296-2	Screw w/Nut		1
101	EHB916V-257	Knob		1
102	EHB1018VM-298	Scale		1
103	EHB1018VM-299	Indicator		1
104	EHB1018VM-300	Nameplate		1
105	EHB1018VM-301	Start Switch		1

Index No.	Part No.	Description	Size	Qty.
105-1	EHB1018VM-301-1	Raise/Lower/Vise Clamp/Vise Unclamp Switch		4
106	EHB1018VM-302	Stop Switch		1
107	EHB1018VM-303	Selection Switch		2
108	EHB1018VM-304	Emergency Switch		1
109	EHB916V-305	Indication Light For Power		1
110	EHB1018VM-306	Control Box		1
110-1	EHB1018VM-306-1	Tube		1
111	EHB1018VM-307	Screw	3/16" x 3/8"	9
112	EHB1018VM-311	Acme Leadscrew Seat		1
113	TS-0680031	Flat Washer	5/16"	2
114	TS-0208061	Socket Head Cap Screw	5/16-18 x 1"	2
115	EHB1018VM-314	Fixing Rod for Spring		1
116	TS-0211071	Socket Head Cap Screw	1/2" x 1-1/2"	1
117	EHB1018VM-316	Spring		1
118	EHB1018VM-317	Spring Cover		1
119	EHB1018VM-318	Bracket		1
120	EHB1018VM-319	Spindle		1
120-1	EHB1018VM-319-1	Open Pin	1/8" x 1"	2
121	EHB1018VMH-320	Hydraulic Vise Assembly (includes #121-1~121-5) (1018VMH only)		1
121-1	EHB1018VMH-320-1	"O" Ring	40.46	2
121-2	EHB1018VMH-320-2	Oil Scraping Ring	UHS70	2
121-3	EHB1018VMH-320-3	Upper Cap		1
121-4	EHB1018VMH-320-4	Lower Cap		1
121-5	EHB1018VMH-320-5	Special Screw	M10	4
122	EHB1018VM-321	Hydraulic Motor	1/4 HP	1
123	EHB1018VMH-322	Direction Valve (1018VMH only)		1
124	EHB1018VMH-323	Reducing Valve (1018VMH only)		1
125	EHB1018VMH-324	Manifold Block (1018VMH only)		1
126	EHB1018VM-325	Hydraulic Pump		1
127	EHB1018VM-326	Oil Box		1
128	EHB1018VM-327	Solenoid Valve		1



SAW ARM ASSEMBLY — EHB 1018VM, 1018VMH



PARTS LIST SAW ARM — EHB 1018VM, 1018VMH

Index No.	Part No.	Description	Size	Qty.
1	EHB916V-01	Handwheel		1
1-1	EHB916V-01-1	Handwheel handle		2
2	EHB916V-02	Collar		1
3	EHB916V-03	Shaft		1
4	EHB916V-04	Bracket		1
5	EHB916V-05	Slide		1
6	EHB916V-06	Gib		2
7	EHB916V-07	Collar		1
8	EHB916V-08	Roll pin	5x30	2
8-1	EHB916V-08-1	Roll pin	5x40	1
9	TS-0081031	Hex Cap Screw	5/16 x 3/4	4
10	EHB916V-10	Adjusting Screw	3/4 x 1-1/2	1
11	TS-0060111	Hex Cap Screw	3/8 x 2-1/2	1
12	TS-0271031	Set Screw	3/8" x 3/8	1
13	EHB916V-13	Spindle		1
14	BB-51103	Thrust bearing	BB51103	2
15	TS-0060061	Hex Cap Screw	3/8 x 1-1/4	1
16	EHB916V-16	Roll Pin	5 x 30	1
17	TS-0732061	Lock Washer	3/8"	1
18	EHB916V-18	Driven		1
19	EHB916V-19	Thrust Bearing Housing		1
20	EHB916V-20	Lock nut		1
21	EHB916V-21	Disc Spring		6
22	EHB916V-22	Copper		1
23	TS-0267041	Set Screw	1/4 x 3/8	1
24	TS-0720081	Lock Washer	5/16"	1
25	TS-0060051	Hex Cap Screw	3/8" x 1"	1
26	EHB916V-26	Special Washer		1
28	EHB916V-28	Wheel L.H.		1
29	BB6306ZZ	Bearing	BB6306ZZ	2
31	EHB916V-31	Output Shaft		1
32	EHB916V-32	Oil Seal	32.42.7	1
33	BB-30207	Bearing		1
34	EHB916V-34	Oil Plug	1/8"	1
35	EHB916V-35	Gear Box Housing	1	
35-1	EHB916V-35-1	Cover	1	
	EHB916V-GBCA	Gear Box Cover Assembly (includes 35, 35-1)	1	
36	TS-0060081	Hex Cap Screw	3/8-16 x 3/4"	3
37	TS-0732061	Lock Washer	3/8"	3
38	EHB916V-38	Worm Gear		1
39	EHB916V-39	Key	7 x 7 x 35	1
40	BB-30206	Bearing		1
41	TS-0267121	Set Screw	1/4" x 3/4"	3
42	EHB916V-42	Cap		1
43	TS-0732061	Lock Washer	3/8"	3



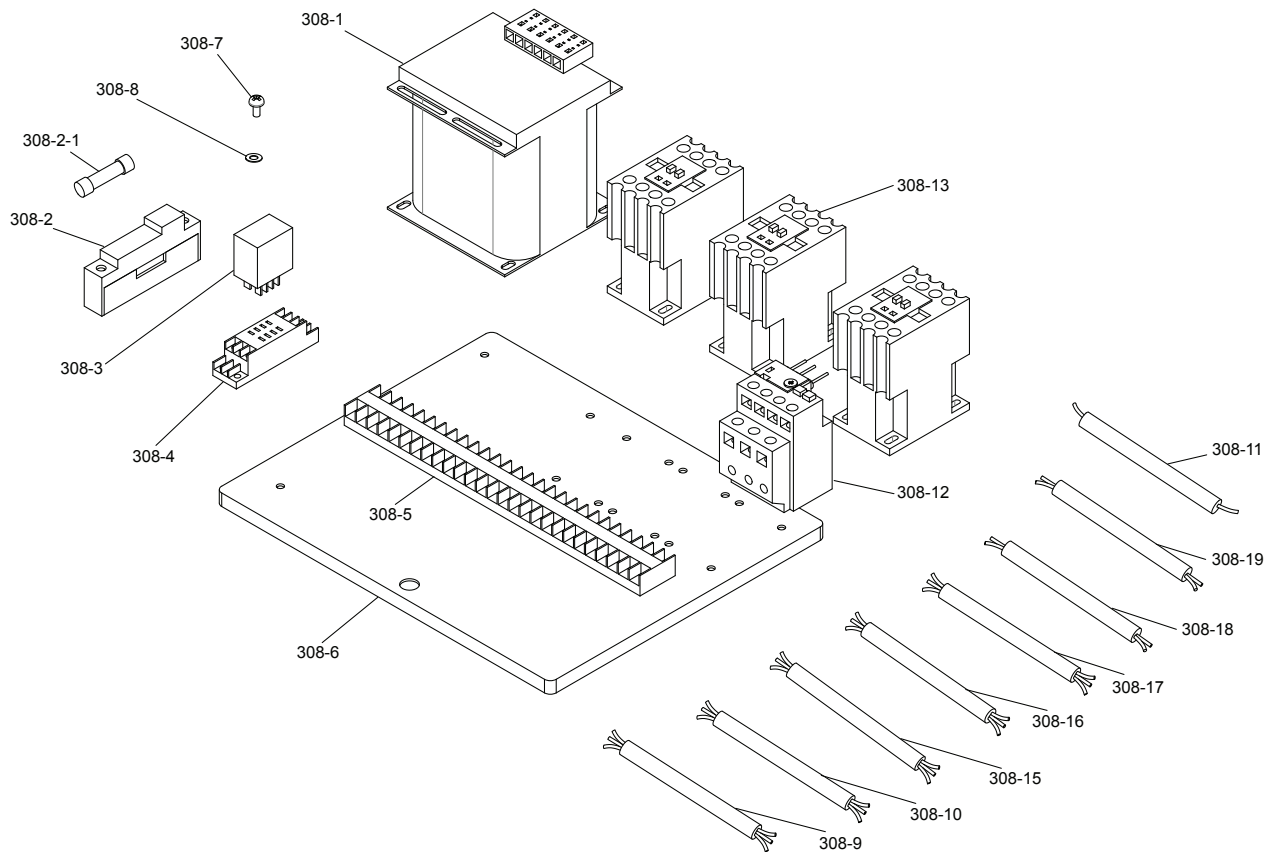
Index No.	Part No.	Description	Size	Qty.
44	TS-0060071	Hex Cap Screw	3/8"-16 × 1-1/2"	3
45	TS-0207021	Socket Head Cap Screw	1/4"-20 × 5/8"	3
46	TS-0561011	Hex Nut	1/4"	3
47	EHB916V-47	Cap		1
48	SB-3/16	Steel Ball	3/16"	2
49	TS-0270061	Set Screw	5/16"-18 × 5/8"	1
50	TS-0207021	Socket Head Cap Screw	1/4"-20 × 5/8"	4
51	BB-6004	Bearing	BB6004	1
52	EHB916V-52	Input Shaft		1
55	BB-3205	Bearing	3205	1
56	EHB916V-56	Oil Seal	25.35.7	1
57	EHB916V-57	Cap		1
58	TS-0207021	Socket Head Cap Screw	1/4"-20 × 5/8"	4
68	EHB1018VM-68	Bow Frame		1
68-1	EHB916V-68-1	Frame Handle		1
70	TS-0081031	Hex Cap Screw	5/16" x 3/4"	2
71	TS-0680031	Flat Washer	5/16"	2
73	EHB916V-73	Tube Retainer		2
74	EHB916V-74	Round Head Screw	3/16" x 3/8"	2
76	TS-0680031	Flat Washer	5/16"	2
77	TS-0081031	Hex Cap Screw	5/16" x 3/4"	2
78	TS-0081031	Hex Cap Screw	5/16" x 3/4"	2
79	TS-0680031	Flat Washer	5/16"	2
80	EHB916V-80	Drive Wheel.		1
81	TS-0271032	Socket Set Screw	3/8-24 × 3/8"	1
82	EHB916V-82	Key	7 x 7 x 40	1
83	TS-0081031	Hex Cap Screw	5/16-18 × 3/4"	2
84	TS-0720081	Lock Washer	5/16"	2
85	EHB916V-85	Bracket		1
86	EHB916V-86	Sensor		1
86-1	EHB916V-86-1	Sensor seat		1
86-2	EHB916V-86-2	Screw		2
88	EHB916V-88	Knob		2
89	EHB916V-88	Knob		1
90	EHB916V-90	Blade Tension Gauge		1
90-1	EHB916V-90-1	Pin		1
91	EHB916V-91	Front Pivot Bracket		1
92	TS-0732061	Lock Washer	3/8"	3
93	TS-0060081	Hex Cap Screw	3/8-16 × 3/4"	3
94	TS-0271051	Socket Set Screw	3/8-16 × 1/2"	1
95	EHB1018VM-95	Motor	2Hp,230/460V	1
96	EHB916V-96	3 Way Coolant Block		1
97	EHB1018VM-97	Hose		2
98	EHB916V-98	Valve		2
99	EHB1018V-99	Hose Clamp		2
100	EHB1018VM-100	Belt (for 1018VM/1018VMH)		1
101	EHB916V-101	Cable Glands(not show)	PG-11	5

Index No.	Part No.	Description	Size	Qty.
103	EHB916V-103	Upper Guard		1
109	EHB916V-109	Lower Guard		1
110	EHB916V-110	Motor Pulley		1
111	TS-0270021	Socket Set Screw	5/16-18 x5/16"	1
112	EHB916V-112	Pulley		1
113	TS-0270021	Socket Set Screw	5/16-18 x5/16"	1
114	EHB916V-114	Key	5 x 5 x 40	1
118	TS-0720081	Lock Washer	5/16"	2
119	EHB916V-119	Hex Head Screw	5/16"-20 x3/4"	2
121	EHB916V-121	Round Head Screw	10-3/16 x3/8"	4
122	EHB916V-122	Cover R.H.		1
123	TS-0680041	Lock Washer	3/8"	4
126	TS-0680041	Lock Washer	3/8"	3
127	TS-0060081	Hex Cap Screw	3/8 x16 x3/4"	3
128	EHB1018V-128	Stationary plate		2
129	EHB1018V-129	Bracket		1
130	TS-0209061	Socket Head Cap Screw	3/8"-16 x1-1/4"	2
131	TS-0267071	Set Screw	1/4"-20 x3/4"	4
132	TS-0270061	Set Screw	5/16"-18 x5/8"	1
133	EHB1018V-133	Bracket-R.H.		4
134	EHB1018VM-134	Slide		1
134-1	EHB916V-134-1	Scale		1
135	EHB916V-135	Screw	3/16"-24 x 7/8"	4
136	EHB916V-136	Carbide Guide		4
137	EHB1018V-137	Collar		2
138	TS-0267021	Set Screw	1/4"x1/4"	2
139	EHB916V-139	Wire Brush		1
140	EHB1018V-140	Bracket		1
141	TS-0207021	Socket Head Cap Screw	1/4"-20 x 5/8"	2
142	TS-0680021	Flat Washer	1/4" x 19 x 2.0	2
144	EHB916V-144	Guide		2
145	TS-0561021	Hex Nut	5/16"-18T	2
146	TS-0680041	Flat Washer	3/8"	4
147	BB6200ZZ	Bearing	6200 ZZ	1
148	EHB916V-148	Special Screw	M10 x 30	1
149	BB6200ZZ	Bearing	6200 ZZ	2
150	EHB916V-150	Special Screw		1
151	EHB916V-151	Special Screw		1
153	EHB916V-153	Adjustable Handle		1
154	EHB916V-154	Guide Cover		1
154-1	EHB916V-154-1	Screw		2
154-2	TS-0680011	Washer		2
155	EHB1018V-155	Bracket-L.H.		4
156	EHB916V-156	Bladecover		1
156-1	EHB916V-156-1	Screw		2
156-2	TS-0680011	Washer		2
157	EHB916V-157	Blade cover		1
158	EHB916V-158	Special Knob		2



Index No.	Part No.	Description	Size	Qty.
159	TS-0680041	Flat Washer	3/8"	1
160	TS-0060031	Hex Head Screw	3/8 × 16 × 3/4"	3
161	EHB1018V-161	Bracket		1
165	EHB916V-165	Round Head Screw	3/16 × 3/8"	4
166	EHB916V-166	Cover L.H.		1
167	EHB916V-167	Handle		2
168	TS-081F051	Phillips Screw	1/4"-20 × 3/4"	4
169	891097	Blade	1 "x0.035"x 144" (4/6T)	1

ELECTRICAL BOX ASSEMBLY — EHB 1018VM



PARTS LIST ELECTRICAL BOX — EHB 1018VM

Index No.	Part No.	Description	Size	Qty.
308-1	EHB1018VM-308-1	Transformer	230/460/12/24/110V	1
308-2	EHB1018VM-308-2	Fuse Blocks	32A 600V	1
308-2-1	EHB1018VM-308-2-1	Fuse	5A	1
308-3	EHB1018VM-308-3	Relay	250V 10A	1
308-4	EHB1018VM-308-4	Relay Socket		1
308-5	EHB1018VM-308-5	Terminal Block		9
308-6	EHB1018VM-308-6	Electrical Plate		1
308-7	EHB1018VM-308-7	Round Head Screw	3/16" x 3/8"	54
308-8	TS-0680011	Washer	3/16"	54
308-9	EHB1018VM-308-9	Power Cable		1
308-10	EHB1018VM-308-10	Control Wire		1
308-11	EHB1018VM-308-11	Ground Cable	Yellow/Green	1
308-12	EHB1018VM-308-12	Overload Relay (4.5-6.5A)	RHU-10K1	1
308-13	EHB1018VM-308-13	Magnetic Contactor	CU-11 110V	3
308-15	EHB1018VM-308-15	Motor Cable		1
308-16	EHB1018VM-308-16	Pump Cable		1
308-17	EHB1018VM-308-17	Hydraulic Cable		1
308-18	EHB1018VM-308-18	Limit Switch Cable		1
308-19	EHB1018VM-308-19	Limit Switch Cable		1