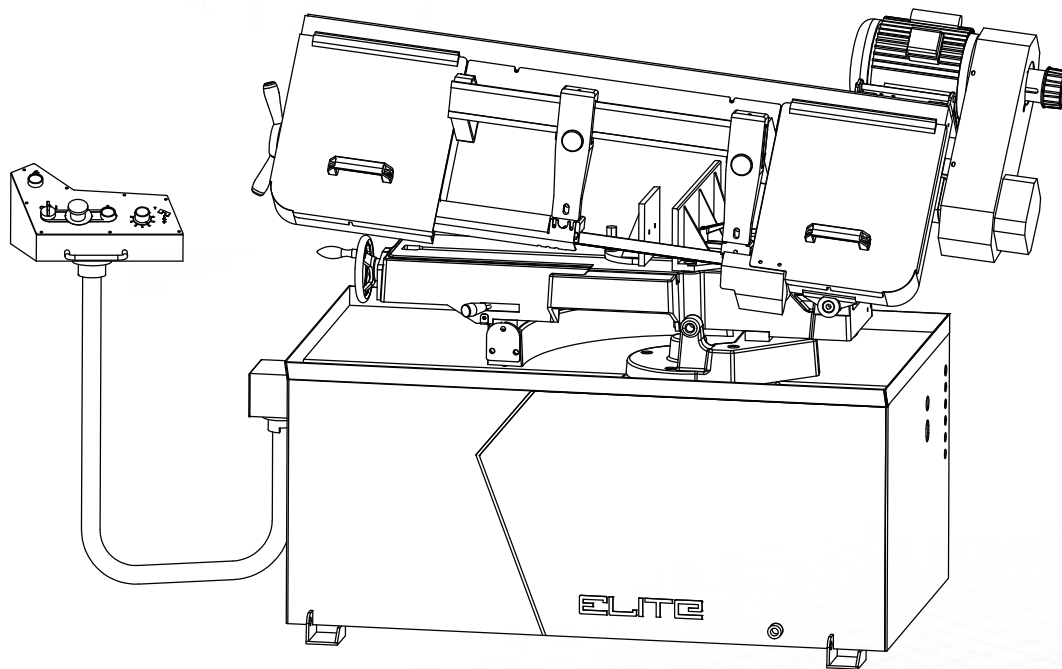


ELITE

HIGH PERFORMANCE MACHINERY

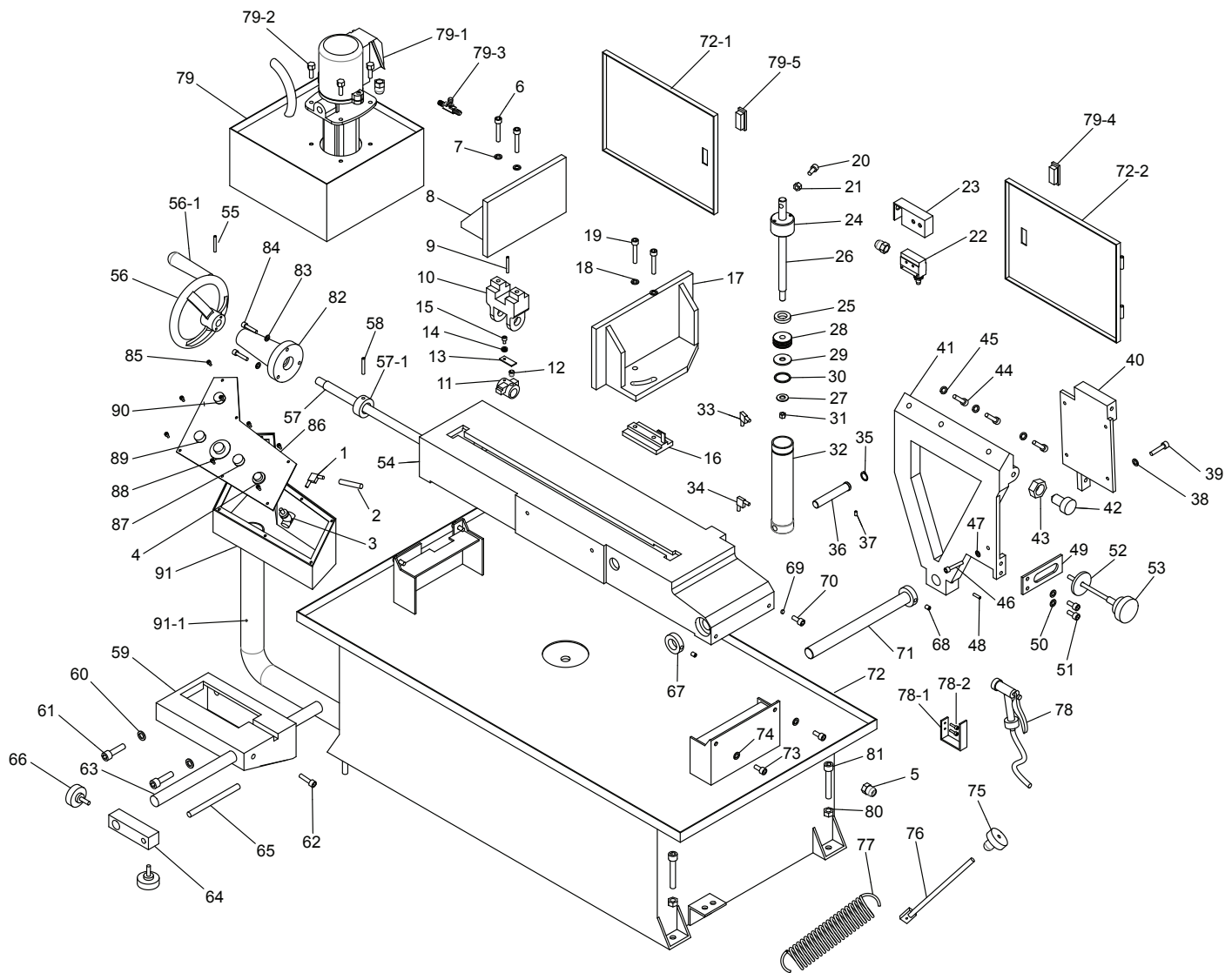
Operating Instructions and Parts Manual
Horizontal Band Saw
Models EHB-916V | EHB-1018V



JET®
427 New Sanford Road
LaVergne, Tennessee 37086
www.jettools.com
Ph.: 855-336-4032

Part No. M-891050
REV B1 07/2014
Copyright © 2014 JET

SAW STAND AND BED ASSEMBLY — EHB-1018V





SAW STAND AND BED — EHB-1018V

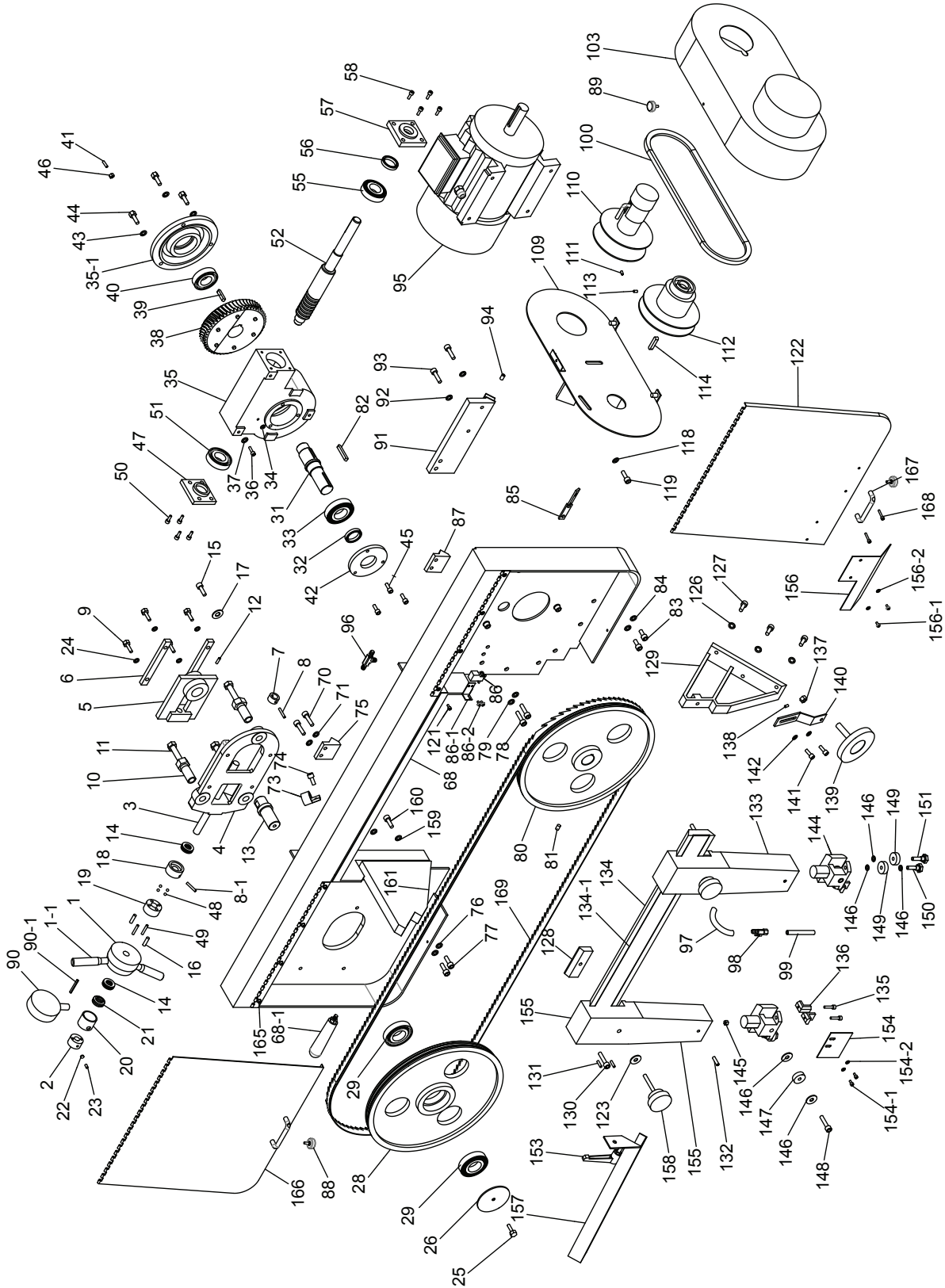
Index No.	Part No.	Description	Size	Qty.
1	EHB916V-64	Fitting		1
2	EHB916V-65	Tubing	5/16" × 65"	2
3	EHB916V-66	Valve		1
4	EHB916V-67	Feed Knob		1
5	EHB916V-101	Cable Glands	PG-11	5
6	TS-0209071	Socket Head Cap Screw	3/8 × 1-1/2"	2
7	EHB916V-191	Special Washer		2
8	EHB1018V-192	Vise Jaw Bracket		1
9	EHB916V-193	Roll Pin	M5 x 20	1
10	EHB916V-194	Bracket		1
11	EHB916V-195	Acme Nut Assembly		1
12	EHB916V-196	Button		1
13	EHB916V-197	Retainer		1
14	TS-0680011	Flat Washer	3/16"	2
15	EHB916V-199	Round Head Screw	3/16" x 3/8"	1
16	EHB1018V-200	Block		1
17	EHB1018V-201	Vise Jaw Bracket (fixed)		1
18	EHB916V-191	Special Washer		2
19	TS-0209061	Socket Head Cap Screw	3/8 × 1-1/4"	2
20	TS-0070031	Hex Cap Screw	1/2-13 × 1-1/2"	1
21	TS-0561031	Hex Nut	3/8"	1
22	EHB916V-206	Limit Switch		1
23	EHB916V-207	Limit Switch Seat (Ser No.13100009 and lower)		1
	EHB916V-207N	Limit Switch Seat (Ser No.xxxx0010 and higher)		1
	EHB916V- OHCA	Oil Hydraulic Cylinder Assembly (includes # 24-32)	1	
24	EHB916V-210	Cap		1
25	EHB916V-211	Oil Seal	20.35.7	1
26	EHB916V-213	Rod		1
27	TS-0680031	Flat Washer	5/16"	1
28	EHB916V-215	Piston		1
29	EHB916V-216	Seal		1
30	EHB916V-217	Inoin ring	P53	1
31	TS-0561021	Hex Nut	5/16" x 18T	2
32	EHB916V-219	Tube Assembly		1
33	EHB916V-221	Tube Fitting		1
34	EHB916V-222	Tube Fitting		1
35	EHB916V-223	Retaining Ring	S-17	1
36	EHB916V-224	Pivot shaft		1
37	EHB916V-225	Socket Set Screw	3/8"-16T × 3/8"	1
38	TS-0680031	Flat Washer	5/16"	4
39	TS-0051051	Hex Cap Screw	5/16 × 1"	4
40	EHB916V-232	Motor Plate		1
41	EHB1018V-233	Rear Pivot Bracket		1
42	EHB916V-234	Special Socket Set Screw	1/2" x 2"	2

Index No.	Part No.	Description	Size	Qty.
43	EHB916V-235	Hex Nut	1/2"-12	2
44	TS-0209081	Socket Head Cap Screw	3/8"-16T × 1-3/4"	3
45	TS-0680041	Flat Washer	3/8"	3
46	TS-0050031	Hex Cap Screw	1/4-20T × 3/4"	1
47	TS-0680021	Flat Washer	1/4"	1
48	TS-0271051	Set Screw	3/8"-16 × 1/2"	1
49	EHB916V-241	Strap		1
50	TS-0680021	Flat Washer	1/4"	2
51	EHB916V-243	Hex Cap Screw	1/4-20T × 3/4"	2
52	EHB916V-26	Special Washer		1
53	EHB916V-245	Knob		1
54	EHB1018V-247	Bed		1
55	EHB916V-248	Pin		1
56	EHB916V-249	Hand Wheel		1
56-1	EHB916V-249-1	Handle		1
57	EHB1018V-252	Acme Screw		1
57-1	EHB916V-252-1	Collar		1
58	EHB916V-253	Roll Pin	6 ø × 30 ø	1
59	EHB1018V-254	Work Support		1
60	TS-0680041	Flat Washer	3/8"	2
61	TS-0060061	Hex Cap Screw	3/8" × 1-1/4"	2
	EHB1018V-SA	Adj. Stock Stop Assembly (includes #62-66)		1
62	TS-0060061	Hex Cap Screw	3/8" × 1-1/4"	1
63	EHB1018V-258	Shaft		1
64	EHB1018V-259	Stop Bracket		1
65	EHB1018V-260	Bar		1
66	EHB916V-261	Knob		2
67	EHB916V-265	Collar		2
68	TS-0271031	Socket Set Screw	3/8-16T × 3/8"	4
69	EHB916V-267	Copper		2
70	TS-0271031	Socket Set Screw	3/8-16T × 3/8"	2
71	EHB916V-269	Pivot Shaft		1
72	EHB1018V-272	Base Assembly		1
72-1	EHB916V-272-1	Door		1
72-2	EHB916V-272-2	Door		1
73	TS-0060031	Hex Cap Screw	3/8" × 3/4"	2
74	TS-0680041	Flat washer	3/8"	2
75	EHB-916V-275	Knob		1
76	EHB-916V-276	Adjustable Bolt		1
77	EHB916V-277	Spring		1
78	EHB916V-278	Gun Set		1
78-1	EHB916V-278-1	Hook		1
78-2	EHB916V-278-2	Hex Cap Screw		2
79	EHB916V-281	Coolant Tank		1
79-1	EHB1018V-281-1	Coolant Pump		1
79-2	EHB916V-281-2	Pan Head Machine Screw		4
79-3	EHB916V-96	3 Way Coolant Block		1



Index No.	Part No.	Description	Size	Qty.
79-4	EHB916V-281-4	Lock W/Key		1
79-5	EHB916V-281-5	Lock W/o Key		1
80	EHB916V-283	Hex Nut	1/2"-12T	4
81	EHB916V-284	Hex Cap Screw	1/2" -12T x 2"	4
82	EHB1018V-285	Seat		1
83	TS-0720081	Lockwasher	5/16"	3
84	TS-0051051	Hex Head Screw	5/16"-18 x 1"	3
85	EHB916V-289	Socket Head Button Screw	3/16" x 3/8"	8
86	EHB916V-300	Nameplate		1
87	EHB916V-301	Start Switch		1
88	EHB916V-302	Emergency Switch		1
89	EHB916V-303	Selection Switch		1
90	EHB916V-305	Indication Light For Power		1
91	EHB916V-306	Control Box		1
91-1	EHB916V-306-1	Tube		1

SAW ARM ASSEMBLY — EHB-1018V





PARTS LIST SAW ARM — EHB-1018V

Index No.	Part No.	Description	Size	Qty.
1	EHB916V-01	Handwheel		1
1-1	EHB916V-01-1	Handwheel handle		2
2	EHB916V-02	Collar		1
3	EHB916V-03	Shaft		1
4	EHB916V-04	Bracket		1
5	EHB916V-05	Slide		1
6	EHB916V-06	Gib		2
7	EHB916V-07	Collar		1
8	EHB916V-08	Roll pin	M5x30	2
8-1	EHB916V-08-1	Roll pin	M5x40	1
9	TS-0081031	Hex Cap Screw	5/16 x 3/4	4
10	EHB916V-10	Adjusting Screw	3/4 x 1-1/2	1
11	TS-0060111	Hex Cap Screw	3/8 x 2-1/2	1
12	TS-0271031	Set Screw	3/8" x 3/8	1
13	EHB916V-13	Spindle		1
14	BB51103	Thrust Bearing	#51103	2
15	TS-0060061	Hex Cap Screw	3/8 x 1-1/4	1
16	EHB916V-16	Roll pin	5 x 30L	1
17	TS-0732061	Lock Washer	3/8"	1
18	EHB916V-18	Driven		1
19	EHB916V-19	Thrust Bearing Housing		1
20	EHB916V-20	Lock Nut		1
21	EHB916V-21	Disc Spring		6
22	EHB916V-22	Copper		1
23	TS-0267041	Set Screw	1/4 x 3/8	1
24	TS-0720081	Lock Washer	5/16"	1
25	TS-0060051	Hex Cap Screw	3/8" x 1"	1
26	EHB916V-26	Special Washer		1
28	EHB916V-28	Wheel L.H.		1
29	BB6306ZZ	Bearing	6306ZZ	2
31	EHB916V-31	Output Shaft		1
32	EHB916V-32	Oil Seal	32.42.7	1
33	BB-30207	Bearing		1
34	EHB916V-34	Oil Plug	1/8"	1
35	EHB916V-35	Gear Box housing	1	
35-1	EHB916V-35-1	Cover	1	
	EHB916V-GBCA	Gear Box Cover Assembly(included 35, 35-1)	1	
36	TS-0060081	Hex Cap Screw	3/8-16 x 3/4"	3
37	TS-0732061	Lock Washer	3/8"	3
38	EHB916V-38	Worm Gear		1
39	EHB916V-39	Key	7 x 7 x 35	1
40	BB-30206	Bearing		1
41	TS-0267121	Set Screw	1/4" x 3/4"	3
42	EHB916V-42	Cap		1
43	TS-0732061	Lock Washer	3/8"	3
44	TS-0060071	Hex Cap Screw	3/8"-16 x 1-1/2"	3

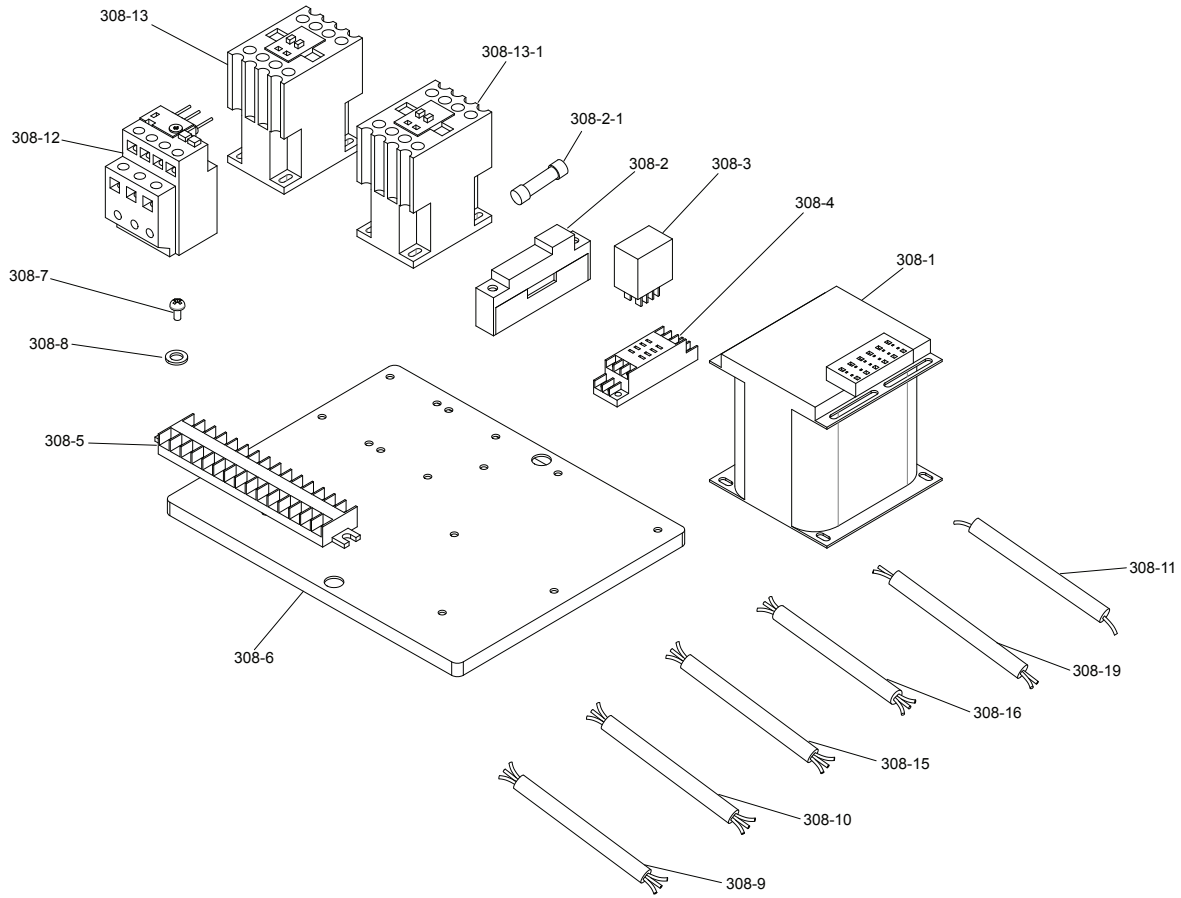
Index No.	Part No.	Description	Size	Qty.
45	TS-0207021	Socket Head Cap Screw	1/4"-20 × 5/8"	3
46	TS-0561011	Hex Nut	1/4"	3
47	EHB916V-47	Cap		1
48	SB-3/16	Steel Ball		2
49	TS-0270061	Set Screw	5/16"-18 × 5/8"	1
50	TS-0207021	Socket Head Cap Screw	1/4"-20 × 5/8"	4
51	BB-6004	Bearing	6004	1
52	EHB916V-52	Input Shaft		1
55	BB-3205	Bearing	3205	1
56	EHB916V-56	Oil Seal	25.35.7	1
57	EHB916V-57	Cap		1
58	TS-0207021	Socket Head Cap Screw	1/4"-20 × 5/8"	4
68	EHB1018V-68	Bow Frame		1
68-1	EHB916V-68-1	Frame Handle		1
70	TS-0081031	Hex Cap Screw	5/16" x 3/4"	2
71	TS-0680031	Flat Washer	5/16"	2
73	EHB916V-73	Tube Retainer		2
74	EHB916V-74	Round Head Screw	3/16" x 3/8"	2
75	EHB1018V-75	Bracket (Left Side)		1
76	TS-0680031	Flat Washer	5/16"	2
77	TS-0081031	Hex Cap Screw	5/16-18 × 3/4"	2
78	TS-0081031	Hex Cap Screw	5/16-18 × 3/4"	2
79	TS-0680031	Flat Washer	5/16"	2
80	EHB916V-80	Drive Wheel.		1
81	TS-0271032	Socket Set Screw	3/8-24 × 3/8"	1
82	EHB916V-82	Key	7 x 7 x 40	1
83	TS-0081031	Hex Cap Screw	5/16-18 × 3/4"	2
84	TS-0720081	Lock Washer	5/16"	2
85	EHB916V-85	Bracket		1
86	EHB916V-86	Sensor		1
86-1	EHB916V-86-1	Sensor seat		1
86-2	EHB916V-86-2	Screw		2
88	EHB916V-88	Knob		2
89	EHB916V-88	Knob		1
90	EHB916V-90	Blade Tension Gauge		1
90-1	EHB916V-90-1	Pin		1
91	EHB916V-91	Front Pivot Bracket		1
92	TS-0732061	Lock Washer	3/8"	3
93	TS-0060081	Hex Cap Screw	3/8-16 × 3/4"	3
94	TS-0271051	Socket Set Screw	3/8-16 × 1/2"	1
95	EHB1018V-95	Motor	2Hp,230V	1
96	EHB916V-96	3 Way Coolant Block		1
97	EHB916V-97	Hose		2
98	EHB916V-98	Valve		2
99	EHB1018V-99	Horse Clamp		2
100	EHB916V-100	Belt		1
103	EHB916V-103	Upper Guard		1
109	EHB916V-109	Lower Guard		1



Index No.	Part No.	Description	Size	Qty.
110	EHB916V-110	Motor Pulley		1
111	TS-0270021	Socket Set Screw	5/16-18 x 5/16"	1
112	EHB916V-112	Pulley		1
113	TS-0270021	Socket Set Screw	5/16-18 x 5/16"	1
114	EHB916V-114	Key	5 x 5 x 40	1
118	TS-0720081	Lock Washer	5/16"	2
119	EHB916V-119	Hex Head Screw	5/16"-20 x 3/4"	2
121	EHB916V-121	Round Head Screw	#10-3/16 x 3/8"	4
122	EHB916V-122	Cover R.H		1
123	TS-0680041	Lock Washer	3/8"	4
126	TS-0680041	Lock Washer	3/8"	3
127	TS-0060081	Hex Cap Screw	3/8"x16 x 3/4"	3
128	EHB1018V-128	Stationary plate		2
129	EHB1018V-129	Bracket		1
130	TS-0209061	Socket Head Cap Screw	3/8"-16 x 1-1/4"	2
131	TS-0267071	Set Screw	1/4"-20 x 3/4"	4
132	TS-0270061	Set Screw	5/16"-18 x 5/8"	1
133	EHB1018V-133	Bracket-R.H.		4
134	EHB1018V-134	Slide Way.		1
134-1	EHB916V-134-1	Scale		1
135	EHB916V-135	Screw	3/16"-24 x 7/8"	4
136	EHB916V-136	Carbide Guide		4
137	EHB1018V-137	Collar		2
138	TS-0267021	Set Screw	1/4"x1/4"	2
139	EHB916V-139	Wire Brush		1
140	EHB1018V-140	Bushes		1
141	TS-0207021	Socket Head Cap Screw	1/4"-20 x 5/8"	2
142	TS-0680021	Flat Washer	1/4" x 19 x 2.0	2
144	EHB916V-144	Guide		2
145	TS-0561021	Hex Nut	5/16"-18T	2
146	TS-0680041	Flat Washer	3/8"	4
147	BB6200ZZ	Bearing	6200 ZZ	2
148	EHB916V-148	Special Screw	M10 x 30	1
149	BB6200ZZ	Bearing	6200 ZZ	4
150	EHB916V-150	Special Screw		1
151	EHB916V-151	Special Screw		1
153	EHB916V-153	Adjustable Handle		1
154	EHB916V-154	Guide Cover		1
154-1	EHB916V-154-1	Screw		2
154-2	TS-0680011	Washer		2
155	EHB1018V-155	Bracket-L.H.		4
156	EHB916V-156	Blade Cover		1
156-1	EHB916V-156-1	Screw		2
156-2	TS-0680011	Washer		2
157	EHB916V-157	Blade Cover		1
158	EHB916V-158	Special Knob		2
159	TS-0680041	Flat Washer	3/8"	3
160	EHB916V-160	Hex Head Screw	3/8 x 16 x 3/4"	3

Index No.	Part No.	Description	Size	Qty.
161	EHB1018V-161	Bracket		1
165	EHB916V-165	Round Head Screw	3/16 x 3/8"	4
166	EHB-916V-166	Cover L.H		1
167	EHB916V-167	Handle		2
168	TS-081F051	Phillips Screw	1/4"-20 x 3/4"	4
169	891096	Blade	1" x 0.035" x 132-1/2"(4/6T)	1

ELECTRIC ASSEMBLY — EHB-1018V



PARTS LIST ELECTRICAL BOX — EHB-1018V

Index No.	Part No.	Description	Size	Qty.
308-1	EHB916V-308-1	Transformer	115/230/110V	1
308-2	EHB916V-308-2	Fuse Blocks	32A	1
308-2-1	EHB916V-308-2-1	Fuse	3A	1
308-3	EHB916V-308-3	Relay	100/110VAC	1
308-4	EHB916V-308-4	Relay Socket	CT-BMY2	1
308-5	EHB916V-308-5	Terminal Block		5
308-6	EHB916V-308-6	Electrical Plate		1
308-7	EHB916V-308-7	Round Head Screw	3/16" x 3/8"	30
308-8	TS-0680011	Washer	3/16"	30
308-9	EHB1018V-308-9	Power Cable		1
308-10	EHB916V-308-10	Control Wire		1
308-11	EHB916V-308-11	Ground Cable	Yellow/Green	1
308-12	EHB916V-308-12	Overload Relay	RHU-10K1	1
308-13	EHB916V-308-13	Magnetic Contactor	CU-11 110V	1
308-13-1	EHB916V-308-13	Magnetic Contactor	CU-11 110V	1
308-15	EHB1018V-308-15	Motor Cable		1
308-16	EHB916V-308-16	Pump Cable		1
308-19	EHB916V-308-19	Limit Switch Cable		1