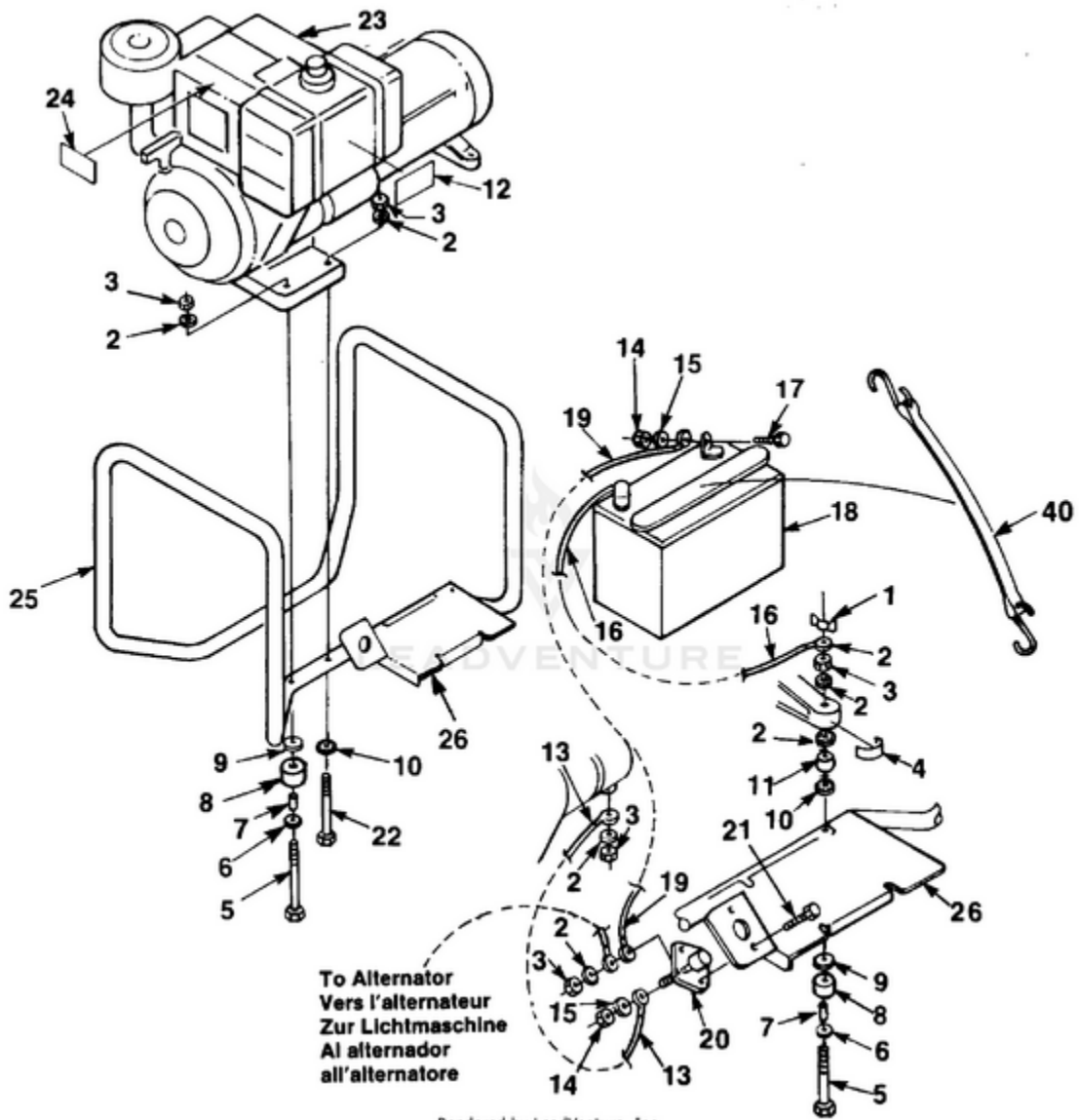
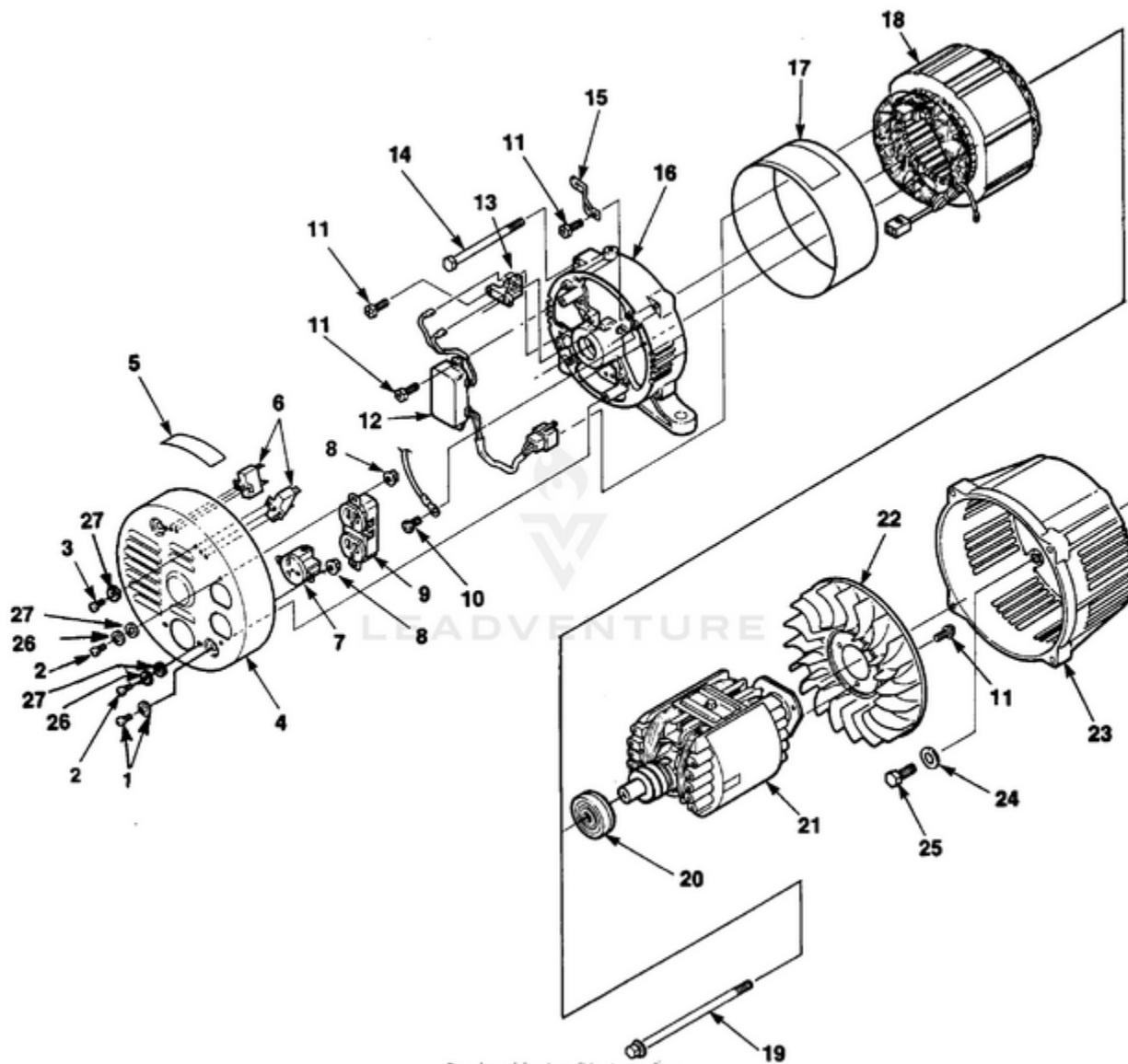


EH5500HD Generator UT-03689 - Electric Start



Ref #	Part #	Description	Qty	Context Note
1	81015	NUT- Wing (5/16-18)	1	
2	83081	WASHER--Lock Int. (5/16")	1	
3	81162	NUT- Hex (5/16-18 STL)	7	
4	49490	DECAL- Ground	1	
5	82529	SCREW- Cap hex hd. (5/16-18 x 4") (Generator & Carburetor side)	2	
	82530	SCREW- Cap hex hd. (5/16-18 x 3 1/4") (Engine Side)	1	
6	84046	WASHER- Flat (5/16")	4	
7	49733	SPACER- Foot	4	
8	48789	FOOT	4	
9	84058	WASHER- Flat	4	
10	83081	WASHER- Lock int.	6	
11	49697	SPACER	2	
12	49598	DECAL- Caution	1	
22	JA400200	SCREW- (5/16-18 x 2 1/2")	2	
23		ENGINE	1	For engine replacement parts locate the engine brand name, model number, and type number and consult the appropriate dealer in your area.
24	49613	DECAL- Warning	1	
25	020451	MEMBER- Frame (Engine)	1	
26	020471	FRAME- Member (Generator)	1	

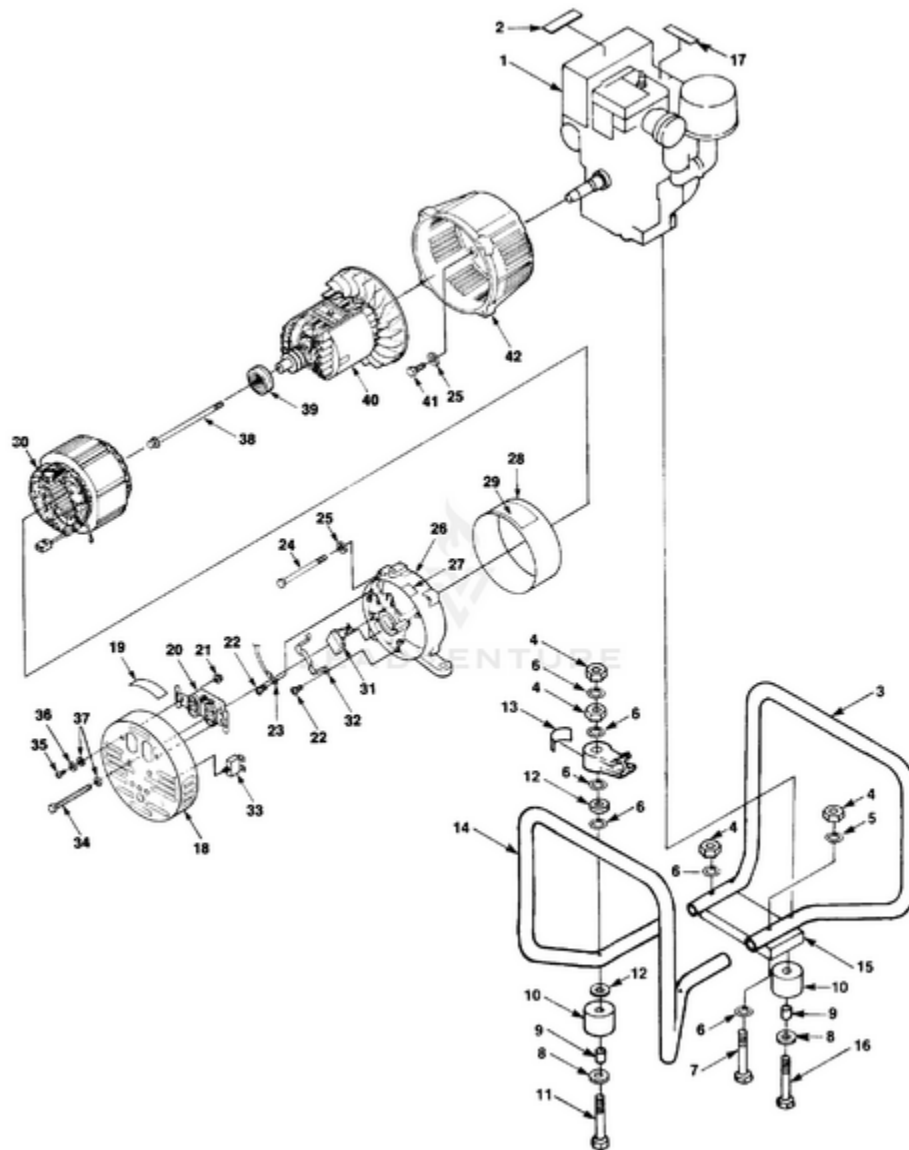
EH5500HD Generator UT-03689 - Generator



Rendered by LeadVenture, Inc.

Ref #	Part #	Description	Qty	Context Note
1	0078216	SCREW- w/Washer (Use w/Livington 240V Receptacle)	2	
	0078212	SCREW- w/Washer (Use w/G.E. 240V Receptacle)	2	
2	80260	SCREW- (8-32 x 1/2")	4	
3	88170	SCREW-w/Washer (m3 x 8mm)	4	
4	0120941	COVER- End	1	
5	49495	DECAL- Warning	1	
6	02511	CIRCUIT BREAKER- (25 AMPS)	1	
7	49708	RECEPTACLE- (240V)	1	
8	81009	NUT (Use w/Livington 240V Receptacle)	4	
9	50991	RECEPTACLE- (120V)	1	
10	0078215	SCREW- Brush holder	2	
11	0078214	SCREW- Hex tapping (m5 x 14mm)	5	
12	0078264	REGULATOR	1	
14	0078207	BOLT- Stator (m6 x 120mm)	4	
15	0078223	STRAP	A/ R	
16	0078206	END BELL	1	
17	0078239	STATOR- Cover	1	
18	0120939	STATOR	1	
19	0078213	BOLT- Rotor	1	
20	0078205	BEARING	1	
21	0078243	ROTOR	1	
22	0078218	FAN	1	
23	0078201	ADAPTOR	1	
24	83018	WASHER- Lock (3/8")	1	
25	JA400264	SCREW- (3/8-16 x 1 1/4")	4	
26	83022	WASHER- Lock	4	
27	84111	WASHER- Flat	4	

EH5500HD Generator UT-03689 - Generator & Handles

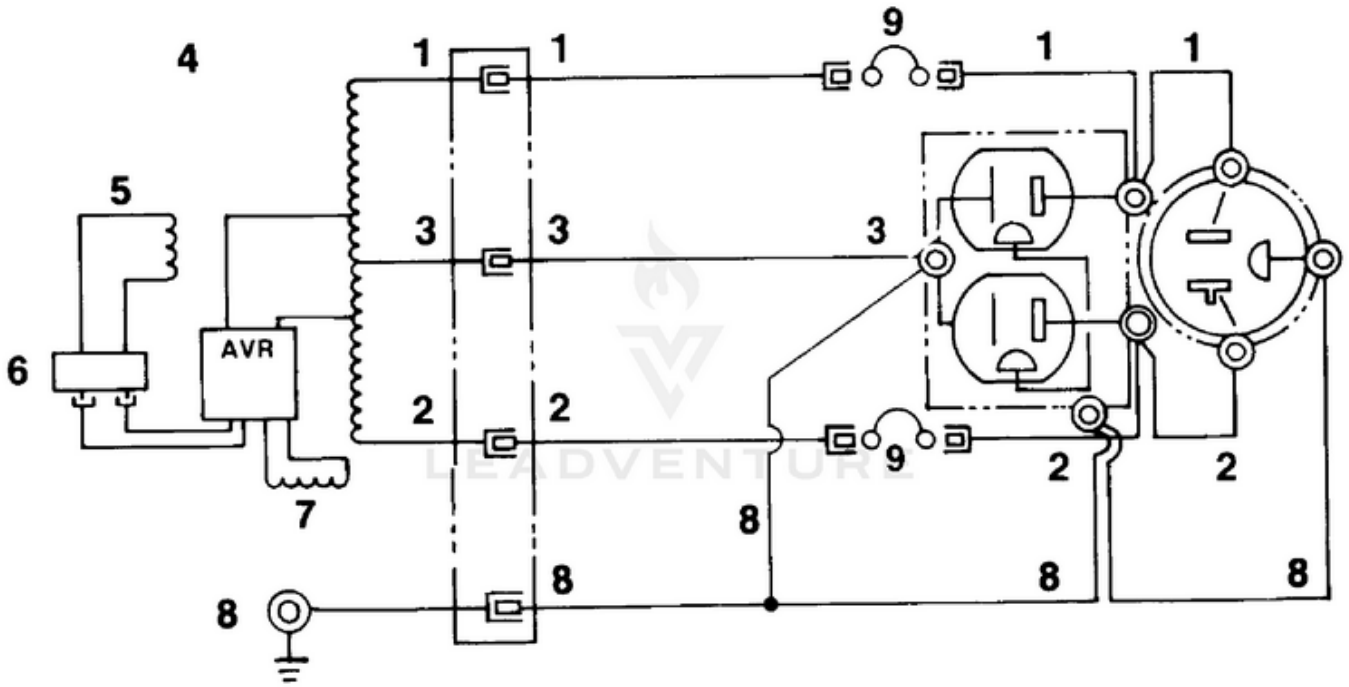


Rendered by LeadVenture, Inc.

Ref #	Part #	Description	Qty	Context Note
1		ENGINE	1	(EH2500)
2	49598	DECAL- Caution	1	
3	020271	MEMBER- Frame	1	(engine)
4	81162	NUT- Hex (5/16-18)	7	
5	83081	WASHER- Lock int. (5/16")	1	
6	83033	WASHER- Lock ext./int.	16	
7	JA400200	BOLT- Engine (rear)	2	
8	84032	WASHER- Flat (5/16")	4	
9	49733	SPACER- Foot	4	
10	48789	FOOT	4	
11	JA400204	SCREW- Cap hex. hd. (5/16-18 x 3")	2	
12	84058	WASHER- Flat (5/16")	4	
13	49490	DECAL- Ground	1	
14	020281	FRAME- Member	1	(generator)
15	498421	PLATE- Frame	1	
16	82530	BOLT- Engine (front)	2	
17	49613	DECAL- Warning	1	
18	0120907	END COVER	1	
19	49495	DECAL- Warning	1	
20	50991	RECEPTACLE- (120V) (EH2500)	1	
	49832	RECEPTACLE- (120V) (EH2500 CSA)	2	
21	81009	NUT- (120V receptacle)	3	
22	0120911	SCREW- (m5 x 12mm)	1	(Brush holder)
23	A47610	LEAD- Electrical	4	(ground)
24	0120913	BOLT- Stator	2	
25	83033	WASHER- Lock ext./int.	1	
26	0120905	END BELL	1	
27	0120910	GROMMET	1	
28	0120902	COVER- Stator	1	
29	49641	DECAL- Output	1	
30	0120901	STATOR	1	
31	0120906	CAPACITOR	1	
32	0120909	HOLDER- Capacitor	1	
33	49831	BREAKER- Circuit (20 amp)	2	
34	0120912	BOLT- Cover (m5)	2	
35	80260	SCREW- (120V receptacle)	2	
36	83022	WASHER- Lock	2	
37	84111	WASHER- Flat	1	
38	0120908	BOLT- Rotor	1	
39	0120904	BEARING- Ball	1	
40	0120903	ROTOR	1	

Ref #	Part #	Description	Qty	Context Note
41	80604	SCREW- Hex hd. (3/8-16 x 1")	1	
42	0078201	ADAPTOR	1	
	0120914	HARNESS- Wire	1	(not shown)

EH5500HD Generator UT-03689 - Wiring Diagram



Rendered by LeadVenture, Inc.

Ref #	Part #	Description	Qty	Context Note
1		Red	1	
2		Blue	1	
3		White	1	
4		Main Coil	1	
5		Field Coil	1	
6		Brush Holder	1	
7		Exiter Coil	1	
8		Ground	1	
9		Circuit Protector	1	