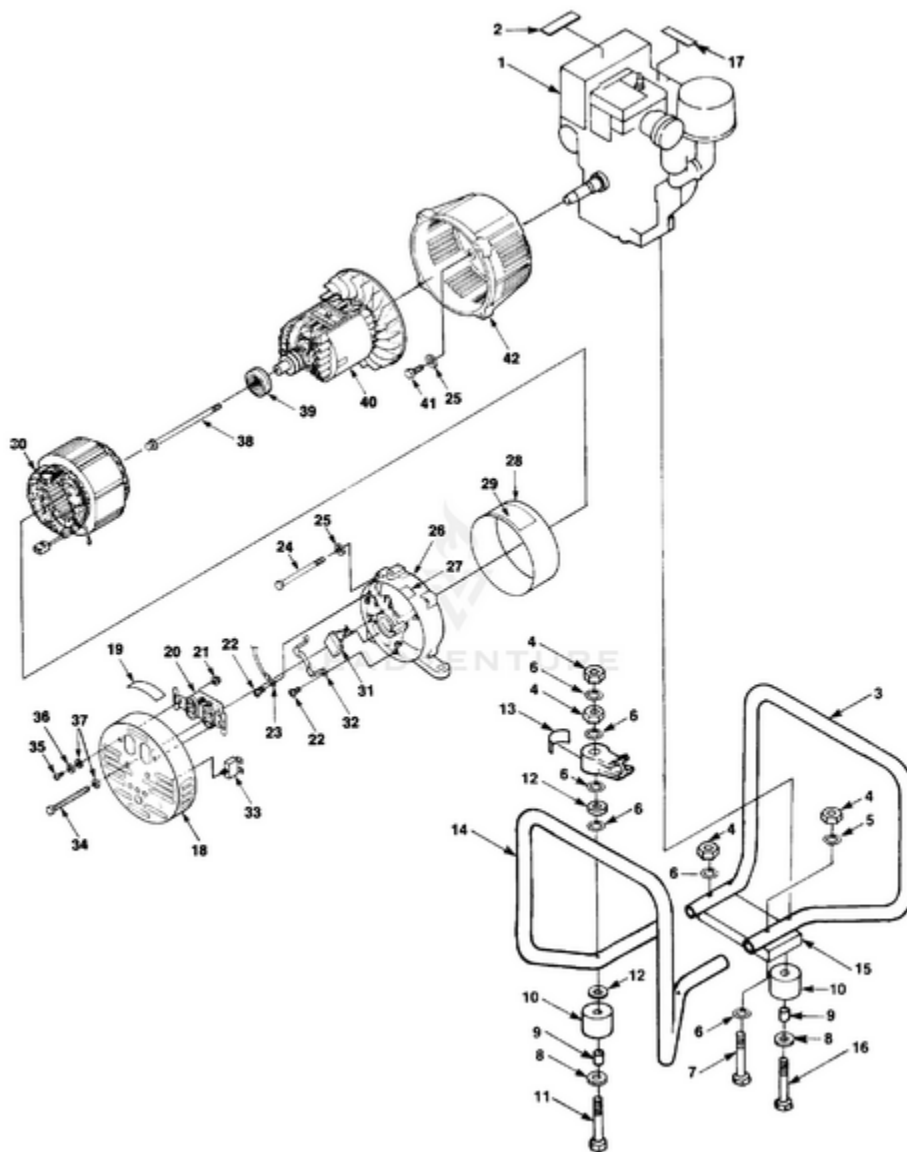


EH2500CSA Generator UT-03691 - Generator & Handles

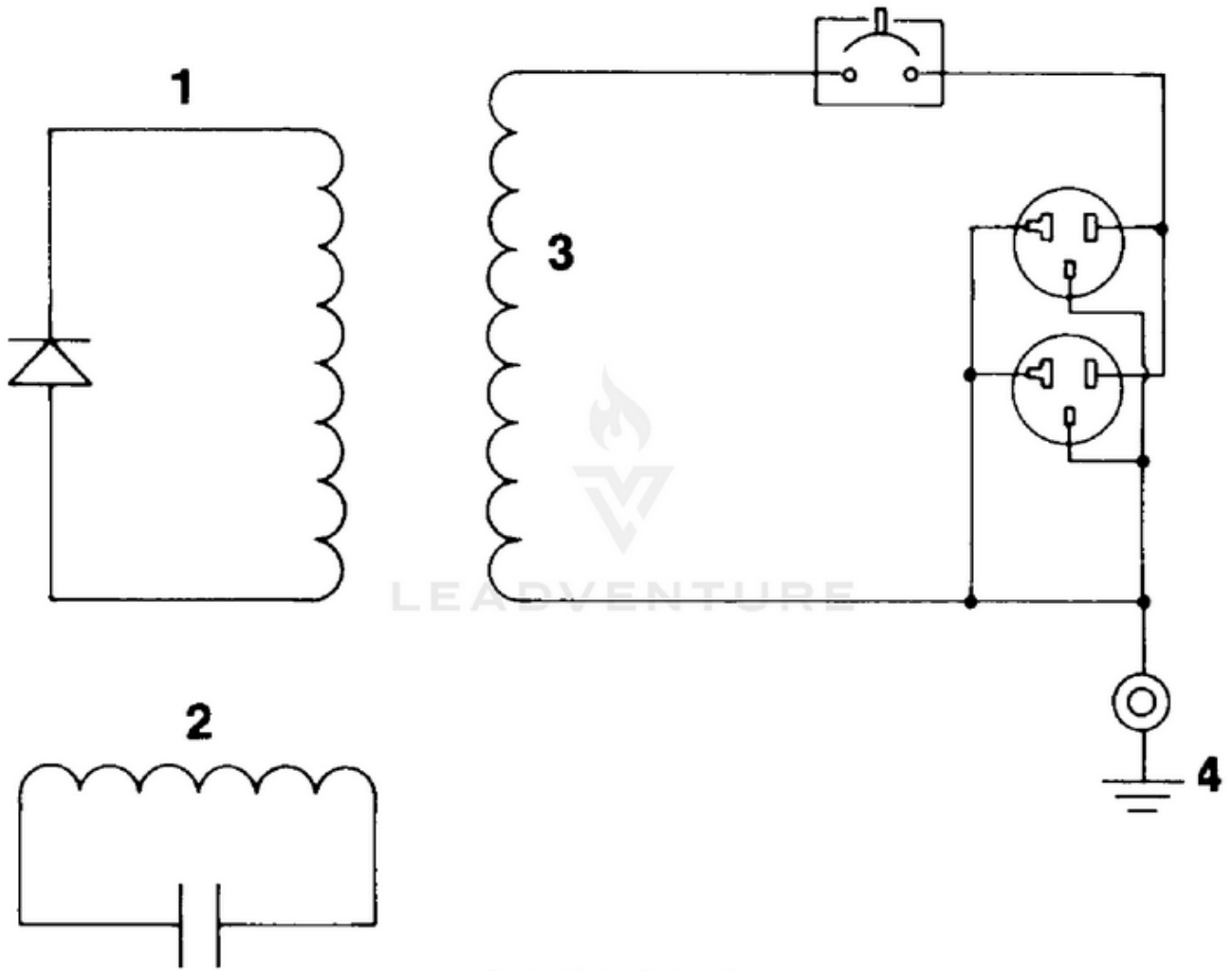


Rendered by LeadVenture, Inc.

Ref #	Part #	Description	Qty	Context Note
1		ENGINE	1	(EH2500)
2	49598	DECAL- Caution	1	
3	020271	MEMBER- Frame	1	(engine)
4	81162	NUT- Hex (5/16-18)	7	
5	83081	WASHER- Lock int. (5/16")	1	
6	83033	WASHER- Lock ext./int.	16	
7	JA400200	BOLT- Engine (rear)	2	
8	84032	WASHER- Flat (5/16")	4	
9	49733	SPACER- Foot	4	
10	48789	FOOT	4	
11	JA400204	SCREW- Cap hex. hd. (5/16-18 x 3")	2	
12	84058	WASHER- Flat (5/16")	4	
13	49490	DECAL- Ground	1	
14	020281	FRAME- Member	1	(generator)
15	498421	PLATE- Frame	1	
16	82530	BOLT- Engine (front)	2	
17	49613	DECAL- Warning	1	
18	0120907	END COVER	1	
19	49495	DECAL- Warning	1	
20	50991	RECEPTACLE- (120V) (EH2500)	1	
	49832	RECEPTACLE- (120V) (EH2500 CSA)	2	
21	81009	NUT- (120V receptacle)	3	
22	0120911	SCREW- (m5 x 12mm)	1	(Brush holder)
23	A47610	LEAD- Electrical	4	(ground)
24	0120913	BOLT- Stator	2	
25	83033	WASHER- Lock ext./int.	1	
26	0120905	END BELL	1	
27	0120910	GROMMET	1	
28	0120902	COVER- Stator	1	
29	49641	DECAL- Output	1	
30	0120901	STATOR	1	
31	0120906	CAPACITOR	1	
32	0120909	HOLDER- Capacitor	1	
33	49831	BREAKER- Circuit (20 amp)	2	
34	0120912	BOLT- Cover (m5)	2	
35	80260	SCREW- (120V receptacle)	2	
36	83022	WASHER- Lock	2	
37	84111	WASHER- Flat	1	
38	0120908	BOLT- Rotor	1	
39	0120904	BEARING- Ball	1	
40	0120903	ROTOR	1	

Ref #	Part #	Description	Qty	Context Note
41	80604	SCREW- Hex hd. (3/8-16 x 1")	1	
42	0078201	ADAPTOR	1	
	0120914	HARNESS- Wire	1	(not shown)

EH2500CSA Generator UT-03691 - Wiring Diagram



Rendered by LeadVenture, Inc.

Ref #	Part #	Description	Qty	Context Note
1		Field Coil	1	
2		Condenser, Coil	1	
3		Main Coil	1	
4		Ground	1	