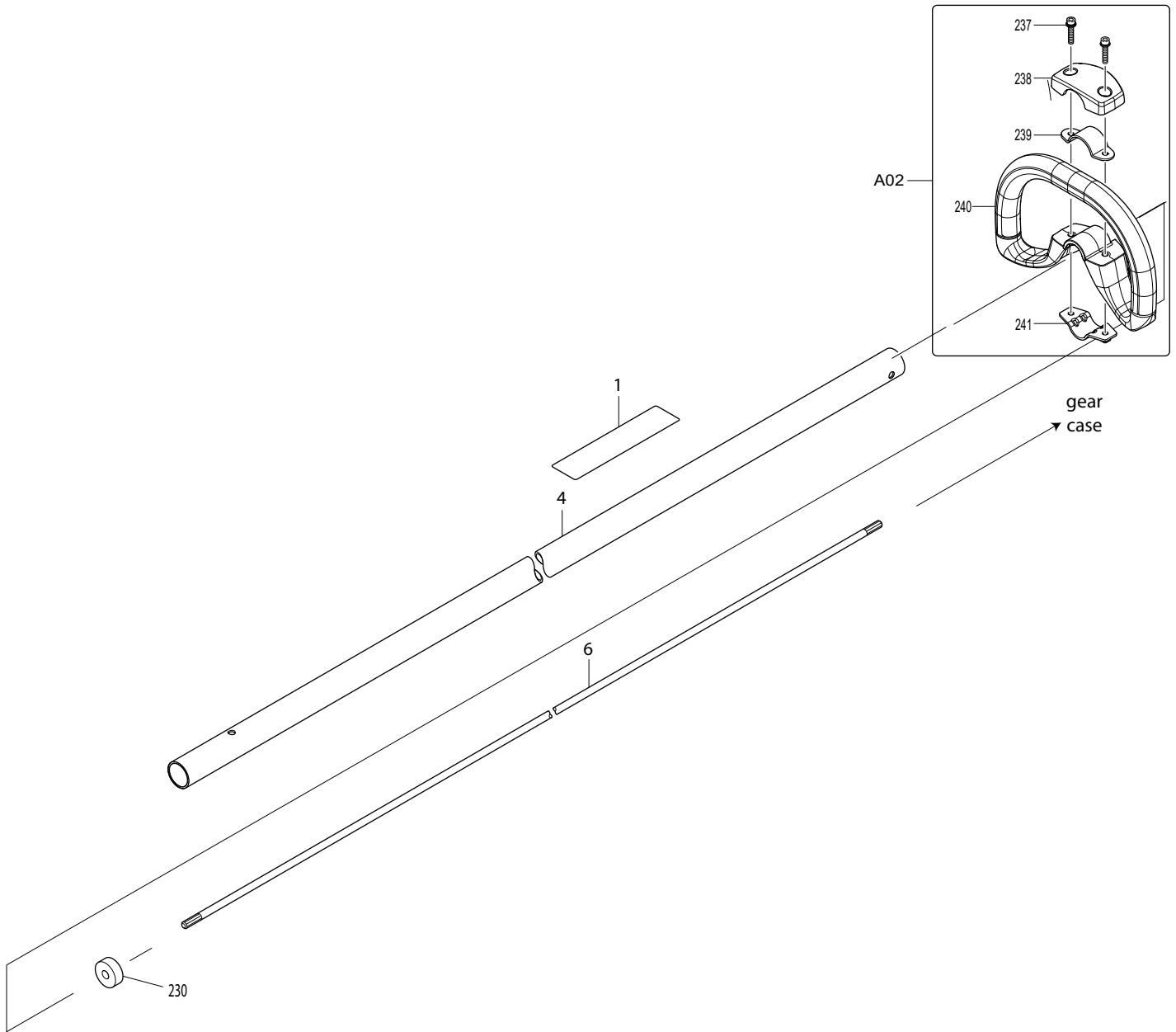


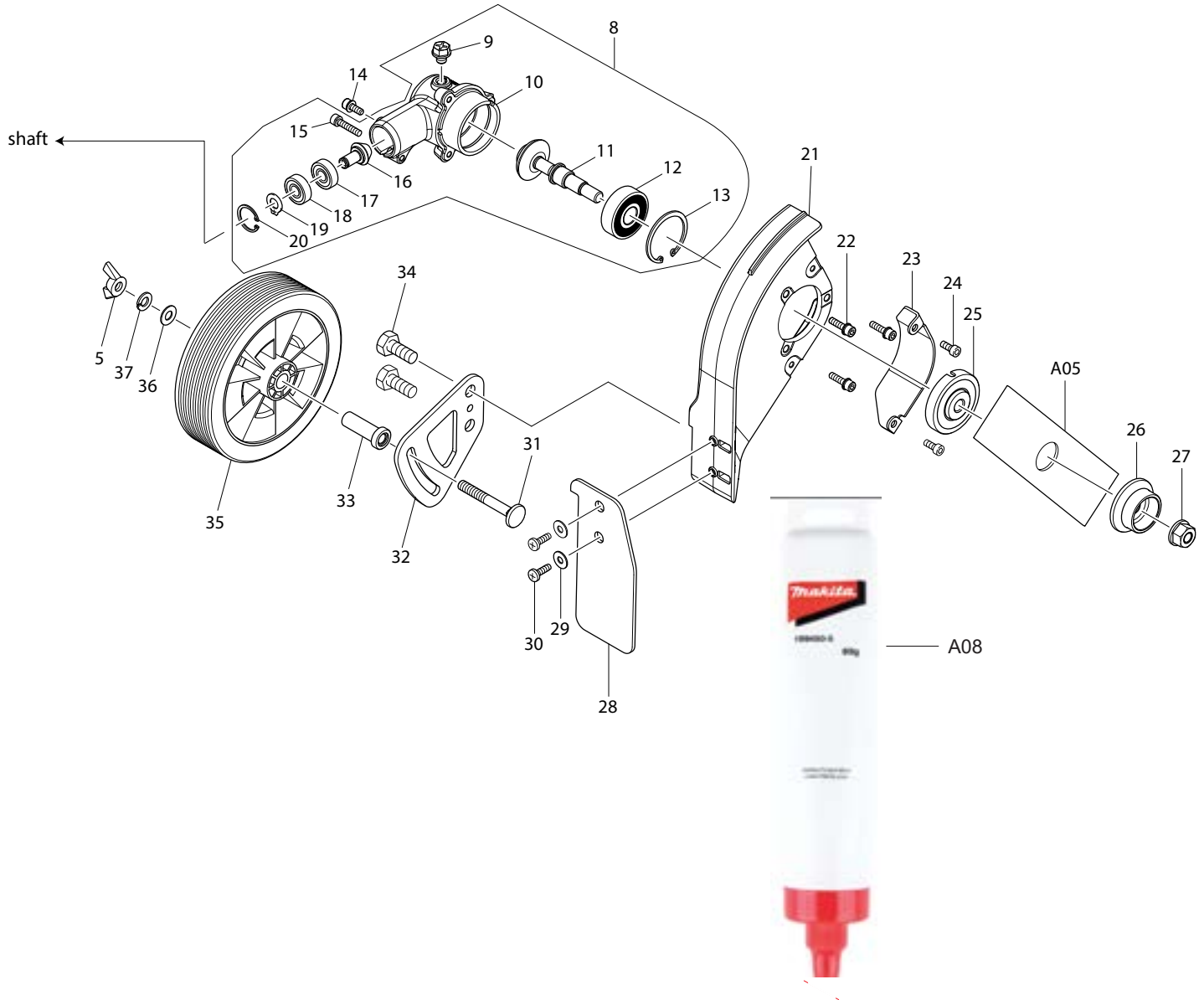


PARTS BREAKDOWN
EE2650H
PE-254.4



Products with multiple versions are listed in subsiding order with the newest version on top not indented.

Section	Fig. No.	Part No.	Description	EE2650H	PE-254.4	Tech Bulletin	Notes
1	4	142509-7	SHAFT PIPE COMPLETE	1	1		
1	6	324893-4	SHAFT	1	1		
1	230	443170-6	FELT	1	1		
1	237	922243-3	HEX. SOCKET HEAD BOLT M5X25	2	2		
1	238	452843-0	CLAMP COVER B	1	1		
1	239	346467-1	PIPE CLAMP 24	1	1		
1	240	452841-4	LOOP HANDLE	1	1		
1	241	346468-9	PIPE CLAMP 33	1	1		
1	A02	195626-2	LOOP HANDLE SET	1	1		

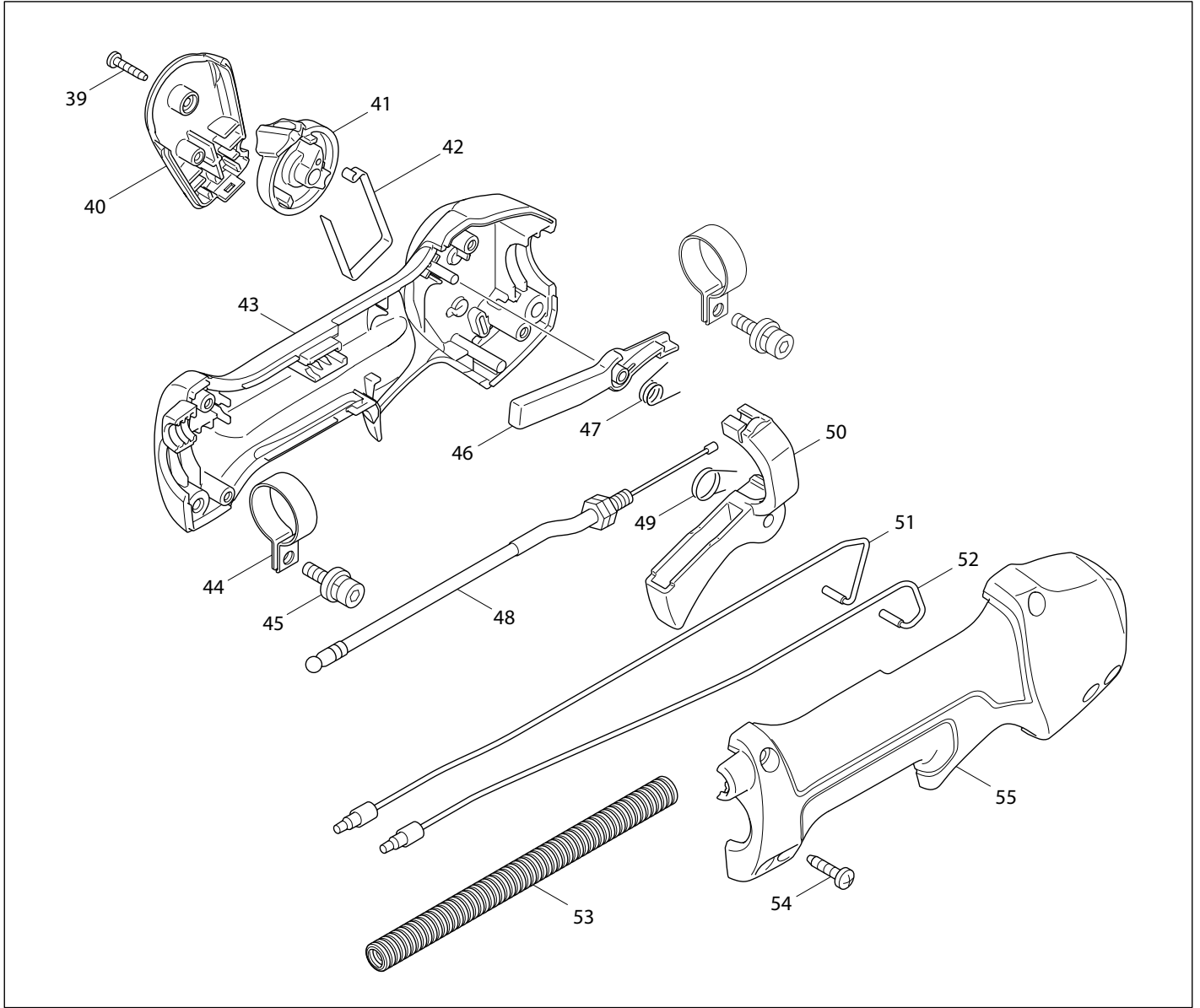


Products with multiple versions are listed in subsiding order with the newest version on top not indented.

Section	Fig. No.	Part No.	Description	EE2650H	PE-254.4	Tech Bulletin	Notes
2	5	934401-9	WING NUT M8	1	1		
2	8	126414-6	GEAR CASE ASS'Y	1	1		INC. 9-13,15-20
2	9	265590-2	+HEX.BOLT M8X10 WITH R	1	1		
2	10	319102-4	GEAR CASE	1	1		
2	11	126415-4	CUTTER SHAFT ASS'Y	1	1		
2	12	211231-8	BALL BEARING 6302DDW	1	1		
2	13	962201-7	RETAINING RING (INT) R-42	1	1		
2	14	922218-2	H.S.H.BOLT M5X14 WITH WR	1	1		
2	15	922241-7	HEX. SOCKET HEAD BOLT M5X25	1	1		
2	16	227629-9	SPIRAL BEVEL GEAR 14	1	1		
2	17	210051-7	BALL BEARING 609LLB	1	1		
2	17	210049-4	BALL BEARING 609ZZ	1	1		
2	18	210051-7	BALL BEARING 609LLB	1	1		
2	18	210049-4	BALL BEARING 609ZZ	1	1		
2	19	961005-4	RETAINING RING S-9	1	1		
2	20	962103-7	RETAINING RING R-24	1	1		
2	21	319103-2	BLADE CASE	1	1		
2	22	922233-6	HEX SOCKET HEAD BOLT M5X20	3	3		
2	23	346759-8	GUARD PLATE	1	1		
2	24	266874-1	H.S.H.BOLT M5X14	2	2		
2	25	326382-5	RECEIVE WASHER	1	1		
2	26	326381-7	CLAMP	1	1		
2	27	264025-0	HEX. NUT M10-17	1	1		
2	28	424615-3	DEFLECTOR	1	1		
2	29	253804-1	FLAT WASHER 6	2	2		
2	30	266027-2	TAPPING SCREW CT5X16	2	2		
2	31	266937-3	C.H.SQUARE NECK BOLT M8X62	1	1		AUG 2014< RING SPRING 5 HAS BEEN ADDED, 234355-3
2	31	266876-7	C.H.SQUARE NECK BOLT M8X62	1	1		>JULY 2014
2	32	346758-0	PLATE	1	1		
2	33	257821-3	SLEEVE 8	1	1		
2	34	921542-0	HEX. BOLT M10X25	2	2		
2	35	454843-6	WHEEL	1	1		

Products with multiple versions are listed in subsiding order with the newest version on top not indented.

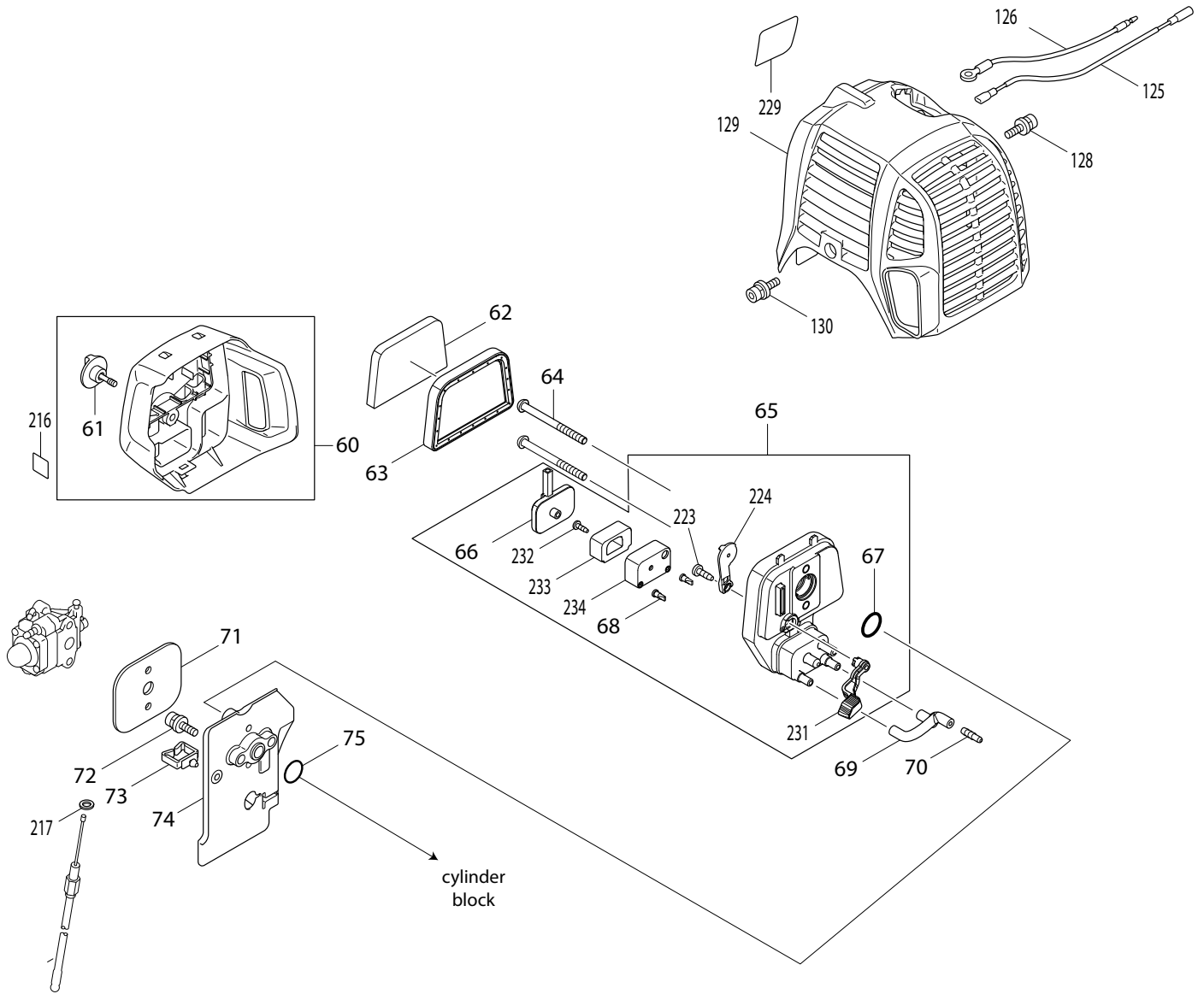
Section	Fig. No.	Part No.	Description	EE2650H	PE-254.4	Tech Bulletin	Notes
2	36	941201-0	FLAT WASHER 8	1	1		
2	37	942201-3	SPRING WASHER 8	1	1		
2	A05	196745-7	BLADE	1	1		
2	A08	199450-5	GEAR GREASE	1	1		



38

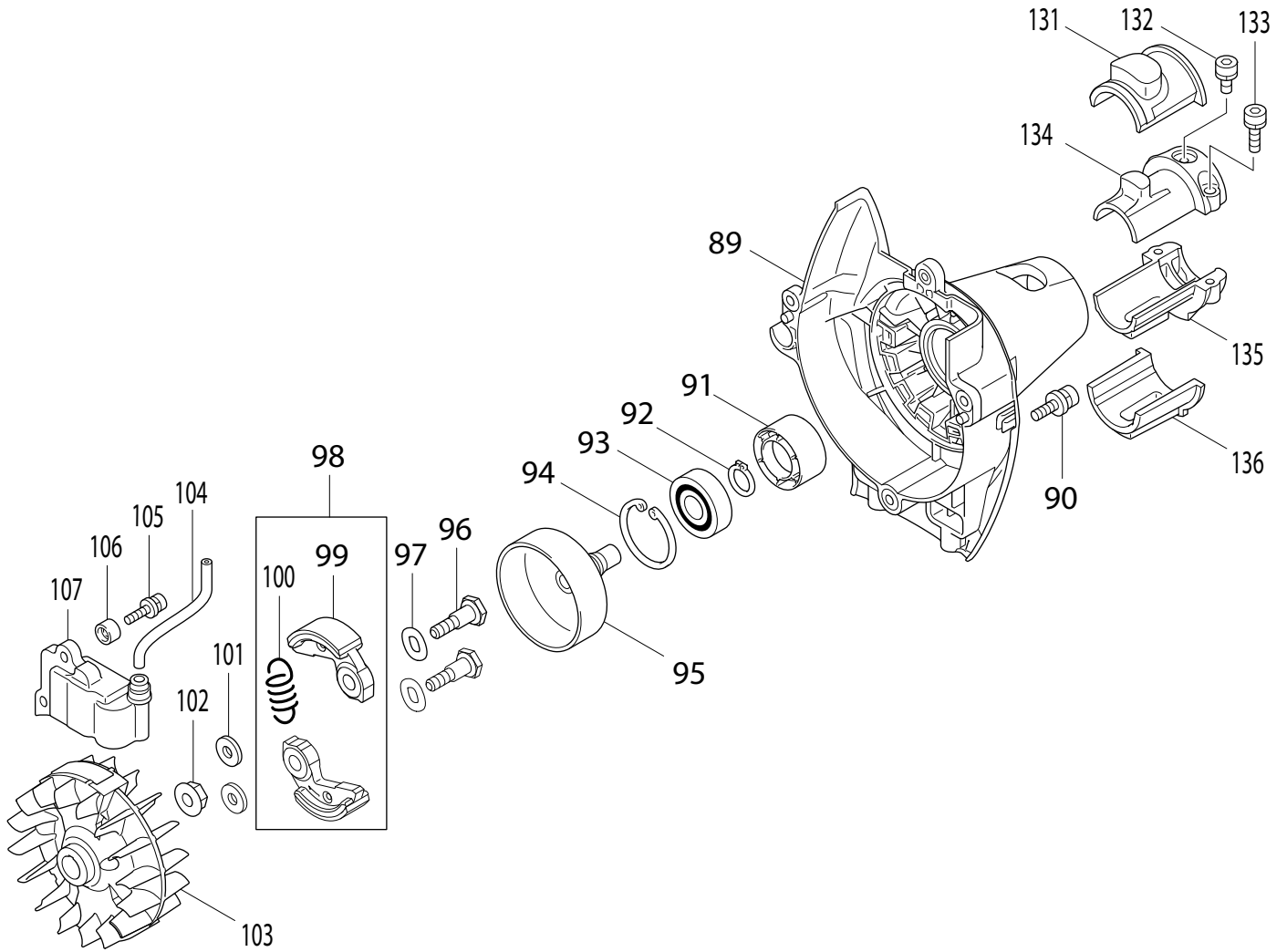
Products with multiple versions are listed in subsiding order with the newest version on top not indented.

Section	Fig. No.	Part No.	Description	EE2650H	PE-254.4	Tech Bulletin	Notes
3	38	126488-7	CONTROL LEVER ASSEMBLY	1	1		INC. 39-55
3	38	125776-9	CONTROL LEVER ASSEMBLY	1	1		INC. 39-55
3	39	266130-9	TAPPING SCREW BIND PT 3X16	1	1		
3	40	451595-0	SWITCH COVER	1	1		
3	41	451594-2	SWITCH LEVER	1	1		
3	42	232251-9	LEAF SPRING	1	1		
3	43	188832-6	LEVER CASE SET	1	1		INC. 55
3	44	346248-3	CLAMP 24	2	2		
3	45	922218-2	H.S.H.BOLT M5X14 WITH WR	2	2		
3	46	451593-4	LOCK LEVER	1	1		
3	47	233541-3	TORSION SPRING 7	1	1		
3	48	168571-4	CONTROL CABLE	1	1		
3	49	233540-5	TORSION SPRING 11	1	1		
3	50	455313-8	THROTTLE LEVER	1	1		
3	50	451592-6	THROTTLE LEVER	1	1		
3	51	638714-7	LEAD UNIT	1	1		
3	52	638713-9	LEAD UNIT	1	1		
3	53	452071-7	CORRUGATE TUBE	1	1		
3	54	266326-2	TAPPING SCREW 4X18	4	4		
3	55	188832-6	LEVER CASE SET	1	1		INC. 43



Products with multiple versions are listed in subsiding order with the newest version on top not indented.

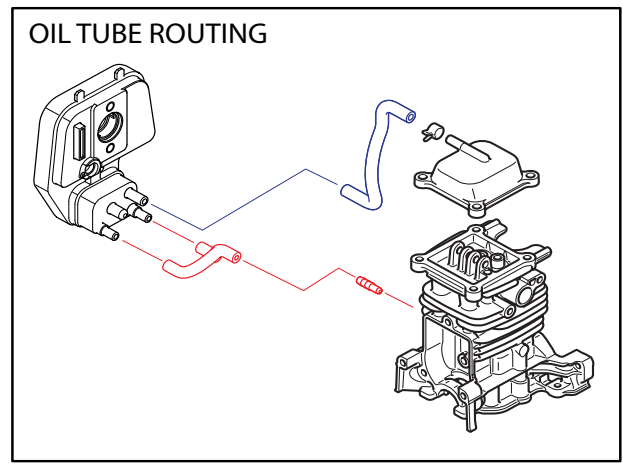
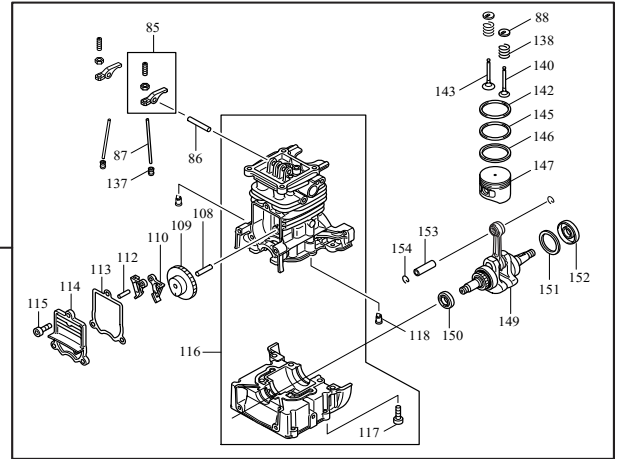
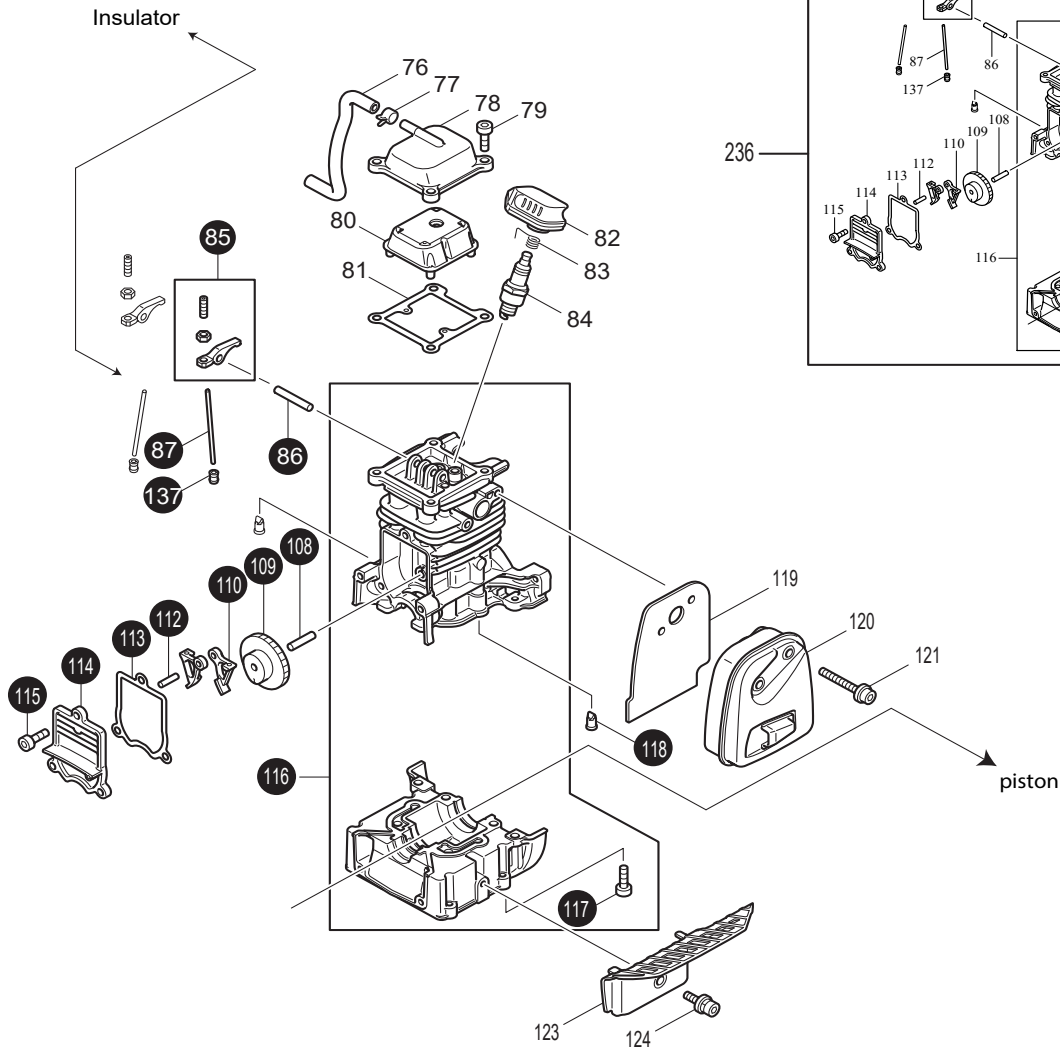
Section	Fig. No.	Part No.	Description	EE2650H	PE-254.4	Tech Bulletin	Notes
4	60	123499-3	CLEANER COVER ASSEMBLY	1	1	B2177	
4	60	126202-1	CLEANER COVER ASSEMBLY	1	1	94237	INC. 61
4	61	265791-2	THUMB SCREW M4	1	1		
4	62	443171-4	AIR CLEANER ELEMENT	1	1		
4	63	443169-1	AIR CLEANER ELEMENT	1	1		
4	64	266618-9	H.S.BUTTON HEAD BOLT M5X60	2	2		
4	65	123501-2	CLEANER PLATE ASSEMBLY	1	1	B2177	INC. 66-68,223,224,231-234
4	65	126198-6	CLEANER PLATE ASSEMBLY	1	1		INC. 66-68,223,224,231-234
4	66	162346-3	SEPARATOR PLATE	1	1		
4	67	213540-1	O RING 15	1	1		
4	68	424316-3	CHECK VALVE	2	2		
4	69	422099-9	PIPE	1	1		
4	70	325665-0	JOINT PIPE	1	1		
4	71	442153-3	CARBURETOR GASKET	1	1		
4	72	266787-6	H.S.H.BOLT M5X18 WITH WR	2	2		
4	73	451825-9	CLAMP	1	1		
4	74	451729-5	INSULATOR	1	1		
4	75	213547-7	O-RING 12	1	1		
4	125	638707-4	LEAD UNIT	1	1		
4	126	638708-2	LEAD UNIT	1	1		
4	128	922218-2	H.S.H.BOLT M5X14 WITH WR	1	1		
4	129	453266-5	CYLINDER COVER	1			
4	129	453569-7	CYLINDER COVER		1		
4	130	922218-2	H.S.H.BOLT M5X14 WITH WR	1	1		
4	216	800F73-7	INDICATION LABEL	1	1		
4	217	941152-7	FLAT WASHER 6	1	1		
4	223	266427-6	TAPPING SCREW 4X12	1	1		
4	224	452219-1	CHOKE PLATE	1	1		
4	229	816566-8	GAS EMISSION APPROVAL LABEL	1	1		
4	231	452220-6	CHOKE LEVER	1	1		
4	232	266007-8	TAPPING SCREW BIND PT 3X10	1	1		
4	233	352020-3	SEPARATOR MESH	1	1		
4	234	453865-3	SEPARATOR CASE	1	1		



Products with multiple versions are listed in subsiding order with the newest version on top not indented.

Section	Fig. No.	Part No.	Description	EE2650H	PE-254.4	Tech Bulletin	Notes
5	89	451735-0	CLUTCH CASE	1	1		
5	90	922228-9	H.S.H.BOLT M5X18 WITH WR	3	3		
5	91	450569-8	SPACER	1	1		
5	92	961052-5	RETAINING RING S-12	1	1		
5	93	211129-9	BALL BEARING 6201DDW	1	1		
5	93	210111-5	BALL BEARING 6201LLU	1	1		
5	94	962151-6	RETAINING RING R-32	1	1		
5	95	161588-6	CLUTCH DRUM	1	1		
5	95	168809-7	CLUTCH DRUM	1	1		
5	96	266864-4	SHOULDER HEX. BOLT M6X25	2	2		
5	97	267817-6	WASHER 8	2	2		
5	98	126135-0	CLUTCH ASSEMBLY	1	1		INC. 99,100
5	99	168498-8	CLUTCH SHOE	2	2		
5	100	231881-3	TENSION SPRING 7	1	1		
5	101	267812-6	WASHER 6	2	2		
5	102	264039-9	CONED DISK SPRING HEXNUT M8-13	1	1		
5	103	318569-3	FLYWHEEL	1	1		
5	104	444021-6	TUBE	1	1		
5	105	266602-4	HEX. SOCKET HEAD BOLT M4X20	2	2		
5	106	452049-0	SPACER	2	2		
5	107	168559-4	IGNITION COIL	1	1		
5	131	424082-2	BUFFER RUBBER	1	1		
5	132	922211-6	HEX. SOCKET HEAD BOLT M5X12	1	1		
5	133	922226-3	HEX. SOCKET HEAD BOLT M5X18	2	2		
5	134	318249-1	PIPE HOLDER	1	1		
5	135	318250-6	PIPE HOLDER	1	1		
5	136	424083-0	BUFFER RUBBER	1	1		

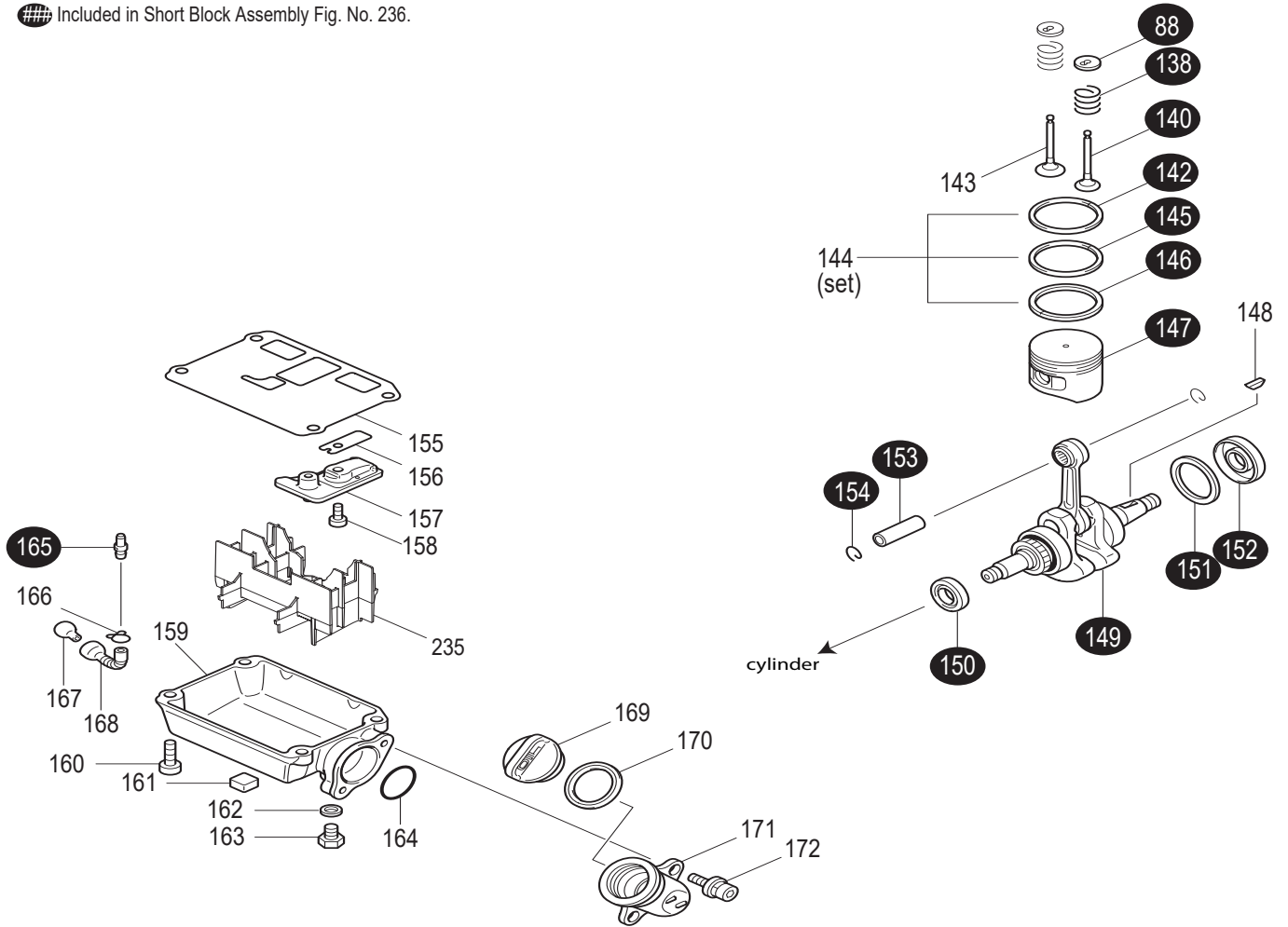
Included in Short Block Assembly Fig. No. 236.



Products with multiple versions are listed in subsiding order with the newest version on top not indented.

Section	Fig. No.	Part No.	Description	EE2650H	PE-254.4	Tech Bulletin	Notes
6	76	422109-2	BREATHER PIPE	1	1		
6	77	345918-1	HOSE CLAMP	1	1		
6	78	318745-9	ROCKER COVER OUTER	1	1		
6	79	922222-1	HEX. SOCKET HEAD BOLT M5X16	4	4		
6	80	453860-3	ROCKER COVER INNER	1	1		
6	81	162304-9	ROCKER COVER GASKET	1	1		
6	82	424302-4	PLUG CAP	1	1		
6	83	324891-8	PLUG CAP SPRING	1	1		
6	84	168534-0	SPARK PLUG	1	1		NGK CMR4A .030
6	85	125554-7	ROCKER ARM ASSEMBLY	2	2		
6	86	256200-2	PIN 5	1	1		
6	87	256865-0	ROD 2.5	2	2		
6	108	268238-5	PIN 5	1	1		
6	109	125552-1	CAM GEAR ASSEMBLY	1	1		
6	110	313169-4	CAM LIFTER	2	2		
6	112	268239-3	PIN 4	1	1		
6	113	162274-2	CAM GEAR COVER GASKET	1	1		
6	114	318443-5	CAM GEAR COVER	1	1		
6	115	922222-1	HEX. SOCKET HEAD BOLT M5X16	3	3		
6	116	135478-9	CYLINDER BLOCK ASSEMBLY	1	1		INC. 117,118,137
6	117	922222-1	HEX. SOCKET HEAD BOLT M5X16	6	6		
6	118	424201-0	CHECK VALVE	2	2		
6	119	346331-6	MUFFLER GASKET	1	1		
6	120	168554-4	EXHAUST MUFFLER	1	1		
6	121	266440-4	HEX SOCKET HEAD BOLT M5X40	2	2		
6	123	451731-8	MUFFLER PLATE	1	1		
6	124	922218-2	H.S.H.BOLT M5X14 WITH WR	1	1		
6	137	424200-2	SPACER	2	2		
6	236	135668-4	SHORT BLOCK ASS'Y 25.4CC	1	1		
6	236	135599-7	SHORT BLOCK ASS'Y 25.4CC	1	1		

Included in Short Block Assembly Fig. No. 236.

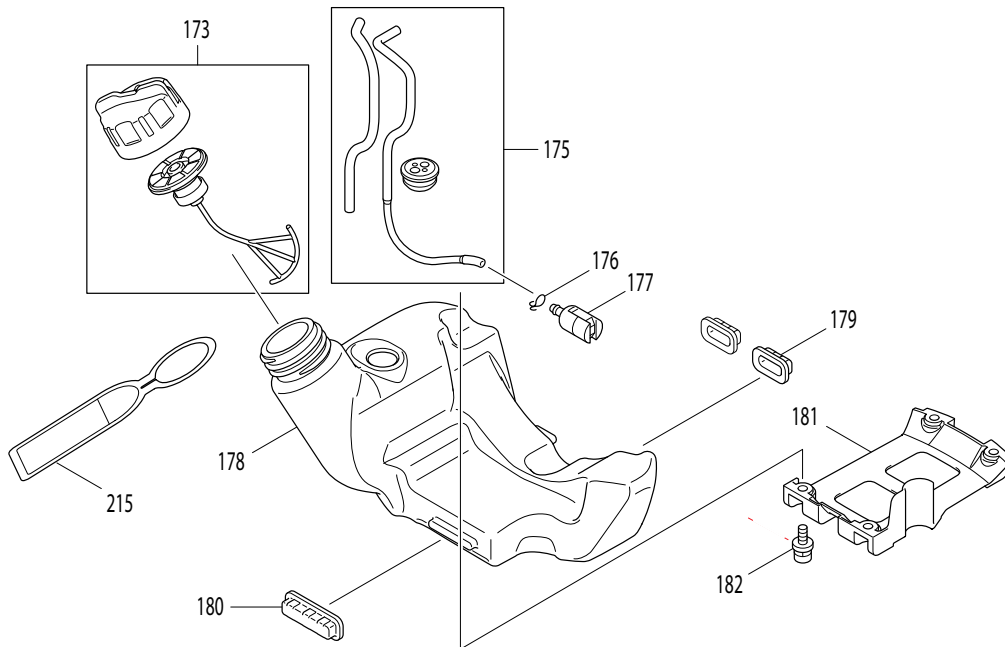
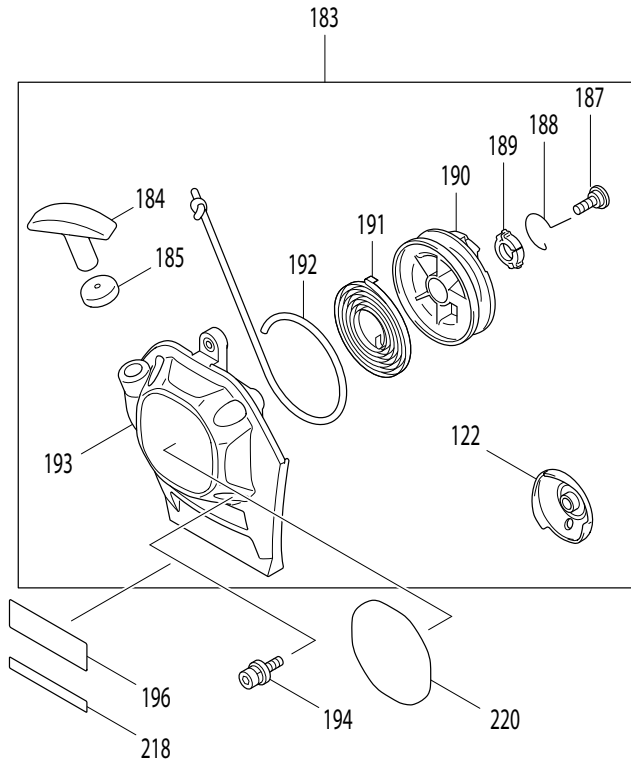


Products with multiple versions are listed in subsiding order with the newest version on top not indented.

Section	Fig. No.	Part No.	Description	EE2650H	PE-254.4	Tech Bulletin	Notes
7	88	325668-4	SPRING RETAINER	2	2		
7	138	234108-0	COMPRESSION SPRING 9	2	2		
7	140	325669-2	EXHAUST VALVE	1	1		
7	142	257298-2	PISTON RING (TOP) 34	1	1		
7	143	326367-1	INTAKE VALVE	1	1		
7	143	325670-7	INTAKE VALVE	1	1		
7	144	195145-8	PISTON RING SET	1	1		
7	145	257299-0	PISTON RING (SECOND) 34	1	1		NLA SOLD AS SET ONLY 195145-8
7	146	257300-1	PISTON RING 34	1	1		NLA SOLD AS SET ONLY 195145-8
7	147	318441-9	PISTON	1	1		
7	148	254040-2	WOODRUFF KEY 3	1	1		
7	149	126359-8	CRANK SHAFT ASSEMBLY	1	1		INC. 150-152
7	149	135481-0	CRANK SHAFT ASS'Y	1	1		
7	150	213769-9	OIL SEAL 10	1	1		
7	150	213148-1	OIL SEAL 10	1	1		
7	151	267400-9	FLAT WASHER 23	1	1		
7	152	213089-1	OIL SEAL 12	1	1		
7	152	213147-3	OIL SEAL 12	1	1		
7	153	257781-9	PISTON PIN	1	1		
7	154	233976-8	CLIP	2	2		
7	155	162345-5	OIL CASE GASKET	1	1		
7	156	346083-9	LEAD VALVE	1	1		
7	157	318910-0	RETAINER PLATE	1	1		
7	158	922112-8	HEX. SOCKET HEAD BOLT M4X10	1	1		
7	159	318588-9	OIL CASE	1	1		
7	160	922222-1	HEX. SOCKET HEAD BOLT M5X16	4	4		
7	161	424344-8	DAMPER	1	1		
7	162	346305-7	GASKET	1	1		
7	163	266611-3	HEX BOLT M6X8	1	1		
7	164	213548-5	O-RING 20	1	1		
7	165	325665-0	JOINT PIPE	1	1		
7	166	282020-8	HOSE CLAMP	1	1		

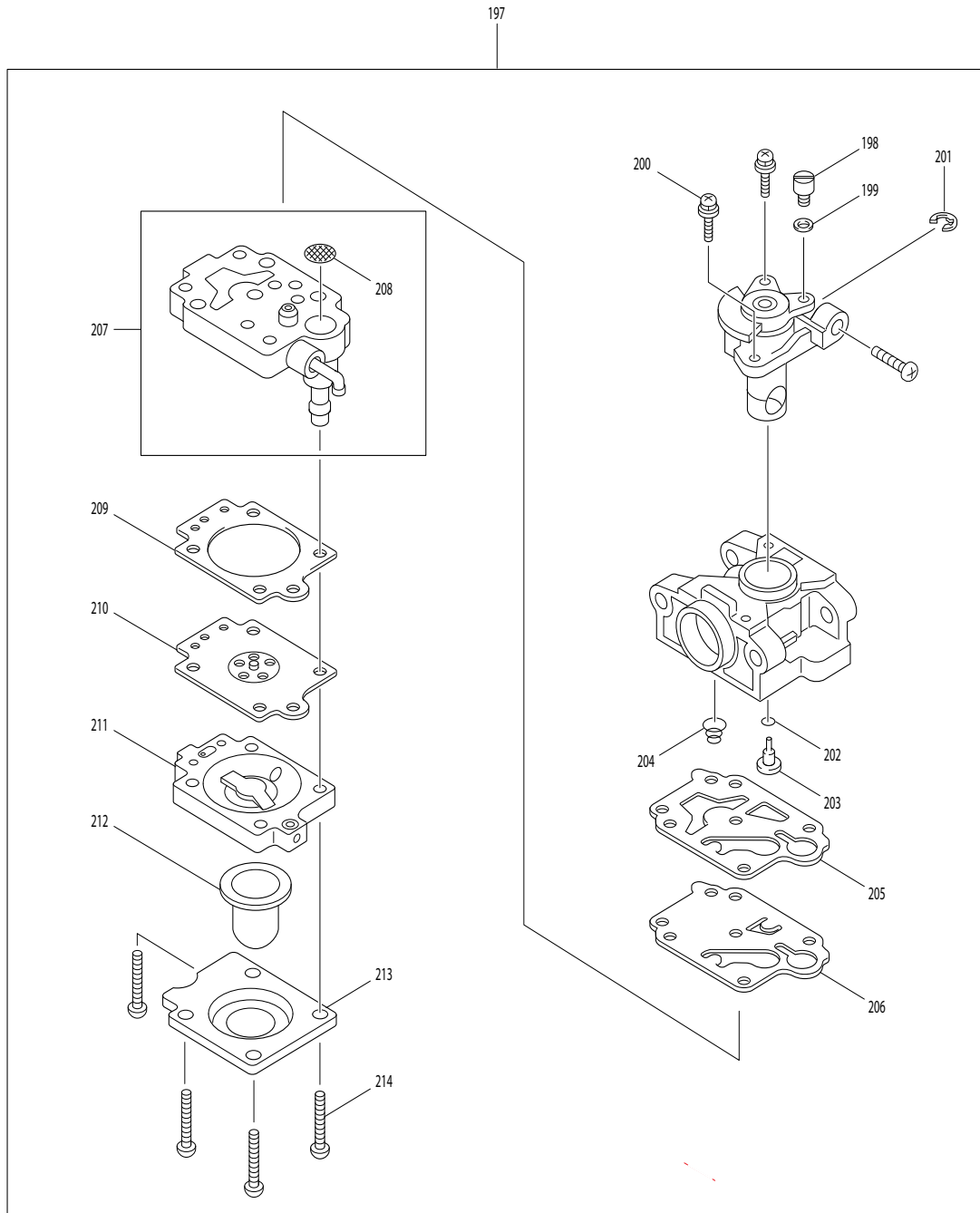
Products with multiple versions are listed in subsiding order with the newest version on top not indented.

Section	Fig. No.	Part No.	Description	EE2650H	PE-254.4	Tech Bulletin	Notes
7	167	325666-8	OIL WEIGHT	1	1		
7	168	424301-6	OIL TUBE	1	1		
7	169	452047-4	OIL CAP	1	1		
7	170	424343-0	GASKET	1	1		
7	171	452048-2	OIL PIPE	1	1		
7	172	922218-2	H.S.H.BOLT M5X14 WITH WR	2	2		
7	235	453862-9	OIL CASE PLATE	1	1		



Products with multiple versions are listed in subsiding order with the newest version on top not indented.

Section	Fig. No.	Part No.	Description	EE2650H	PE-254.4	Tech Bulletin	Notes
8	122	168483-1	PULLEY	1	1		
8	173	125728-0	FUEL TANK CAP ASSEMBLY	1	1		
8	175	168775-8	TUBE COMPLETE	1	1		
8	176	282020-8	HOSE CLAMP	1	1		
8	177	163518-3	GASOLINE FILTER	1	1		
8	178	123419-7	FUEL TANK	1	1		
8	178	454010-3	FUEL TANK	1	1		
8	179	424080-6	BUFFER RUBBER	2	2		
8	180	424081-4	BUFFER RUBBER	1	1		
8	181	451737-6	TANK GUARD	1	1		
8	182	922218-2	H.S.H.BOLT M5X14 WITH WR	4	4		
8	183	195308-6	RECOIL STARTER SET	1	1		INC. 122,184,185,187-193
8	184	424319-7	STARTER KNOB	1	1		
8	185	424359-5	DAMPER	1	1		
8	187	266585-8	TAPPING SCREW 5X12	1	1		
8	188	325923-4	SWING ARM	1	1		
8	189	451938-6	COLLAR	1	1		
8	190	451937-8	REEL	1	1		
8	191	232258-5	SPIRAL SPRING	1	1		
8	192	444023-2	STARTER ROPE	1	1		
8	193	451733-4	STARTER CASE	1	1		
8	194	922223-9	H.S.H.BOLT M5X16 WITH WR	4	4		
8	215	810455-9	CAUTION PLATE	1	1		



Products with multiple versions are listed in subsiding order with the newest version on top not indented.

Section	Fig. No.	Part No.	Description	EE2650H	PE-254.4	Tech Bulletin	Notes
9	197	168762-7	CARBURETOR	1	1		INC. 198-207,209-214
9	198	325922-6	SWIVEL	1	1		
9	199	413140-9	WASHER	1	1		
9	200	266581-6	PAN HEAD SCREW M3X8 WITH W	2	2		
9	201	257964-1	STOP RING E-3	1	1		
9	202	213538-8	O RING 2	1	1		
9	203	325985-2	JET	1	1		
9	204	234183-6	CONICAL COMPRESSION SPRING 5-9	1	1		
9	205	442155-9	PUMP GASKET	1	1		
9	206	WJ00009599	PUMP DIAPHRAGM	1	1		
9	206	168575-6	PUMP DIAPHRAGM	1	1		
9	207	141737-1	PUMP BODY	1	1		INC. 208
9	208	352021-1	INLET SCREEN	1	1		
9	209	442154-1	METERING DIAPHRAGM GASKET	1	1		
9	210	168620-7	METERING DIAPHRAGM	1	1		
9	211	140438-8	AIR PURGE BODY	1	1		
9	212	424314-7	PRIMER PUMP	1	1		
9	213	346270-0	PRIMER PUMP COVER	1	1		
9	214	266582-4	TAPPING SCREW 3X24	4	4		