

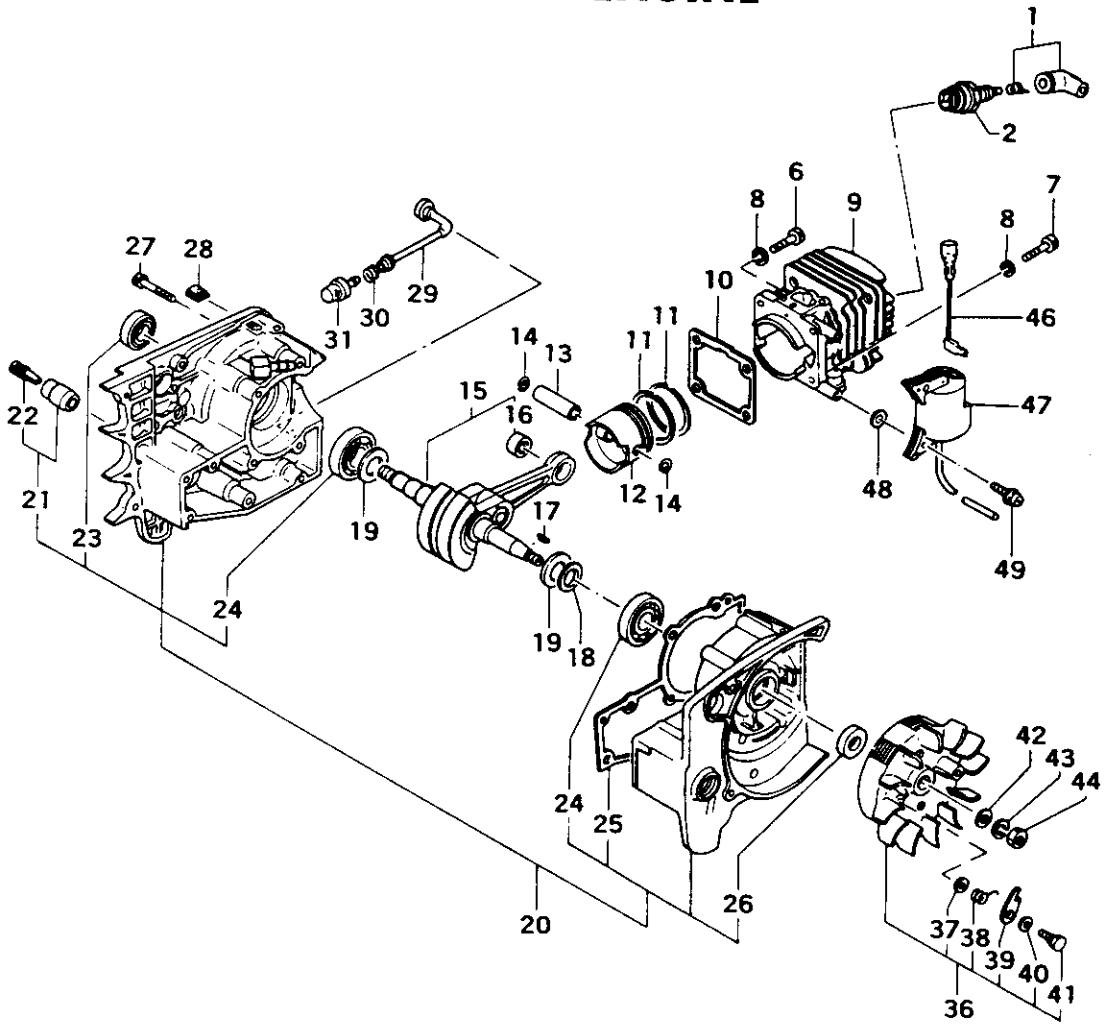
Tanaka

Parts Catalog

Chain Saw

Model: ECS-3500B

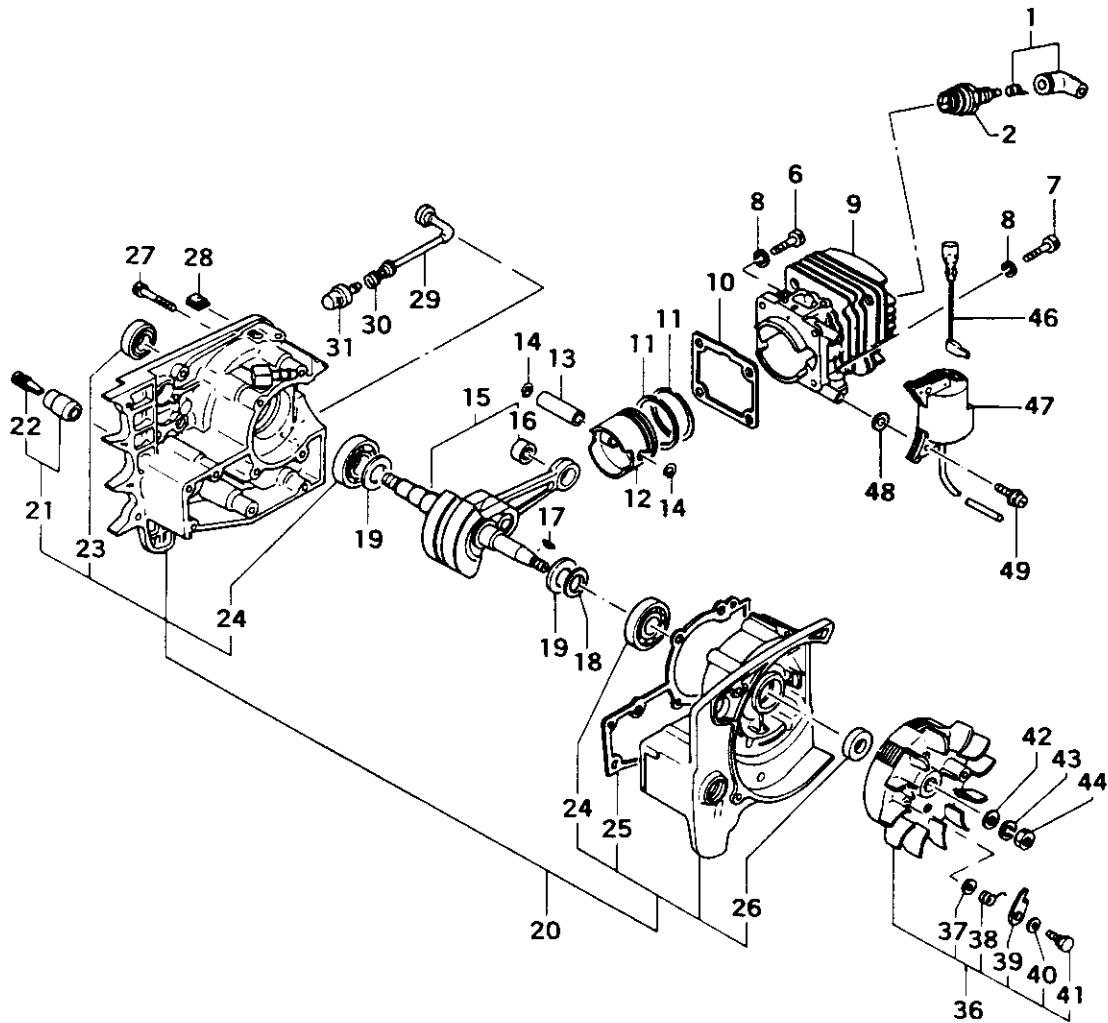
FIG. 1 ENGINE



| REF. NBR | PART NBR | PART NAME | QTY | SERIAL NBR | REMARKS |
|----------|---------------|----------------------------|-----|------------|---------|
| 1-001 | 157-04200-900 | SPARK PLUG CAP ASS'Y | 1 | | |
| 1-002 | 018-11680-200 | SPARK PLUG BPM6A | 1 | | |
| 1-006 | 990-51050-183 | HEX. HOLE BOLT 5X18 | 2 | | |
| 1-007 | 990-51050-223 | HEX. HOLE BOLT 5X22 | 2 | | |
| 1-008 | 992-10050-012 | S. WASHER 5 | 4 | | |
| 1-009 | 002-04080-201 | CYLINDER | 1 | | |
| 1-010 | 017-04060-200 | CYLINDER GASKET | 1 | | |
| 1-011 | 041-04000-200 | PISTON RING | 2 | | |
| 1-012 | 031-01800-200 | PISTON | 1 | | |
| 1-013 | 037-01400-200 | PISTON PIN | 1 | | |
| 1-014 | 039-00000-201 | PISTON PIN CIRCLIP | 2 | | |
| 1-015 | 046-04075-800 | CRANK SHAFT COMP. | 1 | | |
| 1-016 | 999-62091-325 | NEEDLE BEARING F-910 | 1 | | |
| 1-017 | 068-10100-200 | WOOD-RUFF KEY 3X13X4.5 | 1 | | |
| 1-018 | 071-02007-200 | CRANK SHAFT SHIM 0.05 | V | | |
| 1-018 | 071-02007-210 | CRANK SHAFT SHIM 0.10 | V | | |
| 1-018 | 071-02007-220 | CRANK SHAFT SHIM 0.15 | V | | |
| 1-018 | 071-02007-230 | CRANK SHAFT SHIM 0.20 | V | | |
| 1-018 | 071-02007-240 | CRANK SHAFT SHIM 0.30 | V | | |
| 1-019 | 070-02401-201 | CRANK SHAFT WASHER 15.2X22 | 2 | | |
| 1-020 | 072-04080-920 | CRANK CASE ASSY | 1 | | |
| 1-021 | 645-32530-900 | VLAVE HOLDER ASSY | 1 | | |
| 1-022 | 562-04060-200 | AIR VENT VALVE B | 1 | | |
| 1-023 | 999-66152-500 | OIL SEAL 15257 | 1 | | |

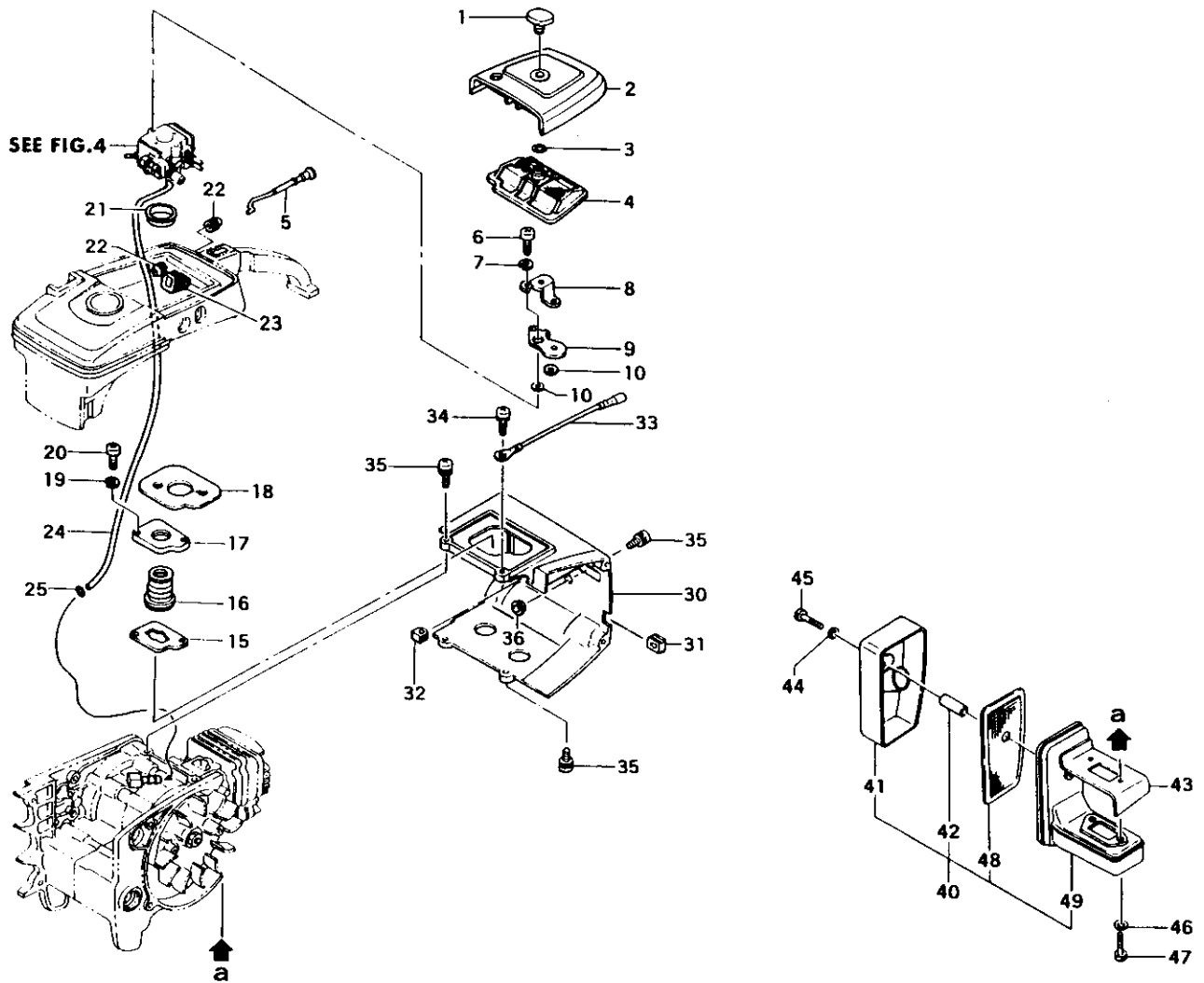
-To be cont'd-

FIG. 1 ENGINE



| REF. NBR | PART NBR | PART NAME | QTY | SERIAL NBR | REMARKS |
|----------|---------------|------------------------|-----|------------|---------|
| 1-024 | 999-61620-200 | BALL BEARING #6202 | 2 | | |
| 1-025 | 090-04080-202 | CRANK CASE GASKET | 1 | | |
| 1-026 | 999-66122-200 | OIL SEAL 12227 | 1 | | |
| 1-027 | 990-51050-303 | HEX. HOLE BOLT 5X30 | 8 | | |
| 1-028 | 488-32530-202 | OIL ADJUST GROMMET | 1 | | |
| 1-029 | 505-32530-220 | OIL PIPE B | 1 | | |
| 1-030 | 680-04019-210 | CLIP 7 | 1 | | |
| 1-031 | 486-32710-900 | OIL FILTER BODY ASS'Y | 1 | | |
| 1-036 | 155-21719-900 | MAGNETO ROTOR ASS'Y | 1 | | |
| 1-037 | 786-00601-200 | STARTER PAWL WASHER | 2 | | |
| 1-038 | 790-01800-200 | STARTER PAWL SPRING | 2 | | |
| 1-039 | 788-00601-203 | STARTER PAWL | 2 | | |
| 1-040 | 822-00601-200 | STARTER PAWL SHIM 0.6T | 2 | | |
| 1-041 | 793-10200-202 | STEP BOLT | 2 | | |
| 1-042 | 992-01070-011 | WASHER 7 | 1 | | |
| 1-043 | 992-10070-012 | S. WASHER 7 | 1 | | |
| 1-044 | 066-01800-200 | FLYWHEEL NUT | 1 | | |
| 1-046 | 178-04080-800 | STOP CORD COMP. | 1 | | |
| 1-047 | 167-21952-800 | IGNITION COIL COMP. | 1 | | |
| 1-048 | 182-0186A-201 | WASHER | 2 | | |
| 1-049 | 994-16040-226 | SCREW 4X22/WS | 2 | | |

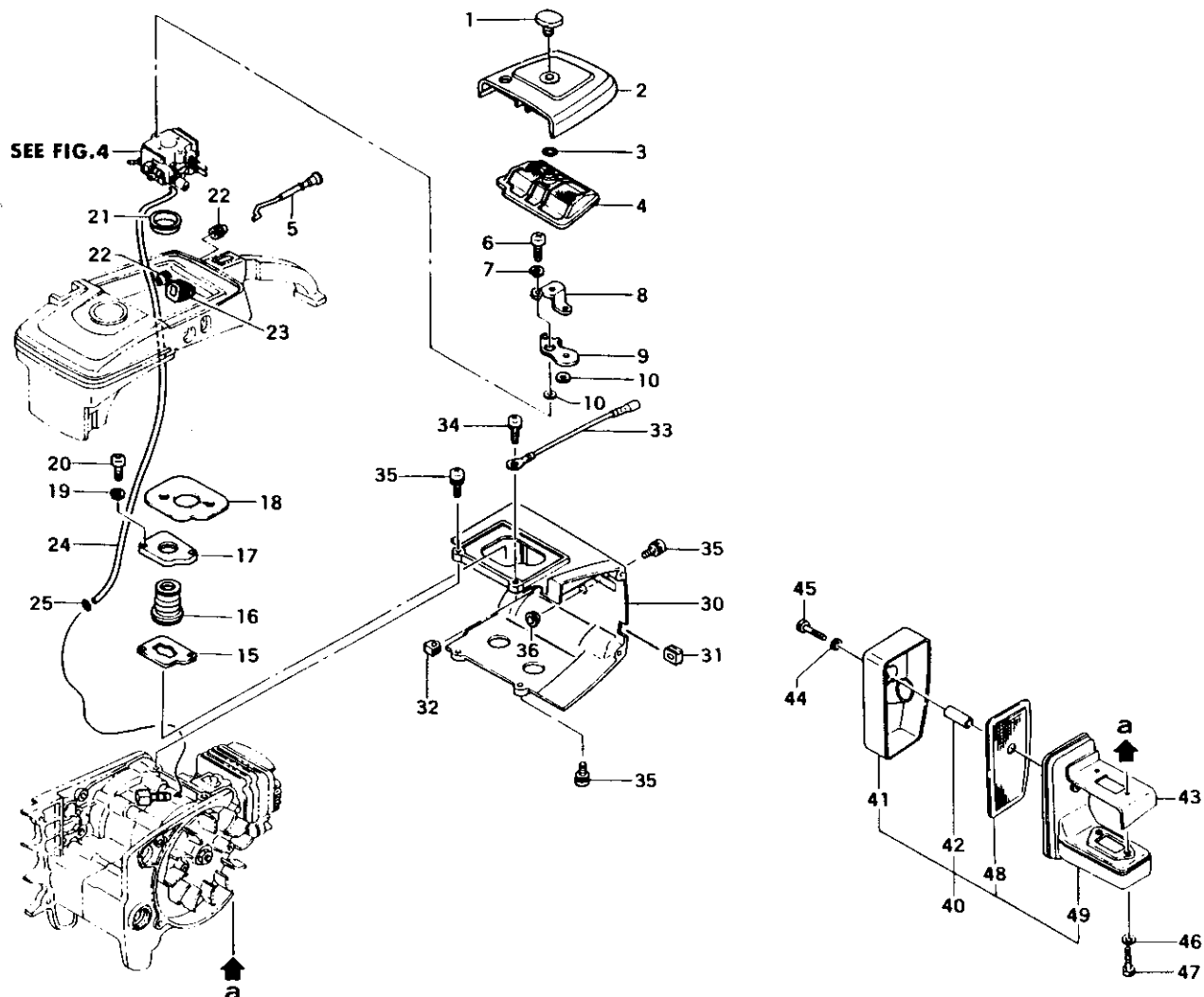
FIG.2 ENGINE COMPONENTS



| REF. NBR | PART NBR | PART NAME | QTY | SERIAL NBR | REMARKS |
|----------|---------------|------------------------|-----|------------|---------|
| 2-001 | 175-32530-800 | CLEANER KNOB COMP. | 1 | | |
| 2-002 | 051-32810-200 | CLEANER COVER | 1 | | |
| 2-003 | 999-67003-000 | O-RING P-3 | 1 | | |
| 2-004 | 420-04080-800 | CLEANER ELEMENT COMP. | 1 | | |
| 2-005 | 704-32540-800 | CHOKE BUTTON COMP. | 1 | | |
| 2-006 | 990-11050-401 | SCREW 5X40 | 2 | | |
| 2-007 | 992-10050-012 | S.WASHER 5 | 2 | | |
| 2-008 | 476-04060-200 | BLOW OVER CHECK BOARD | 1 | | |
| 2-009 | 700-32540-200 | CHOKE VALVE | 1 | | |
| 2-010 | 708-32350-200 | CHOKE VALVE SHIM | 2 | | |
| 2-015 | 403-04080-200 | INLET MANIFOLD GASKET | 1 | | |
| 2-016 | 393-04090-200 | INLET MANIFOLD | 1 | | |
| 2-017 | 392-04090-200 | MANIFOLD FLANG | 1 | | |
| 2-018 | 138-04080-200 | AIR DEFLECTOR A | 1 | | |
| 2-019 | 992-10040-012 | S.WASHER 4 | 2 | | |
| 2-020 | 990-11040-141 | SCREW 4X14 | 2 | | |
| 2-021 | 400-32540-200 | INLET MANIFOLD SPACER | 1 | | |
| 2-022 | 202-01003-201 | SECONDARY CORD GROMMET | 2 | | |

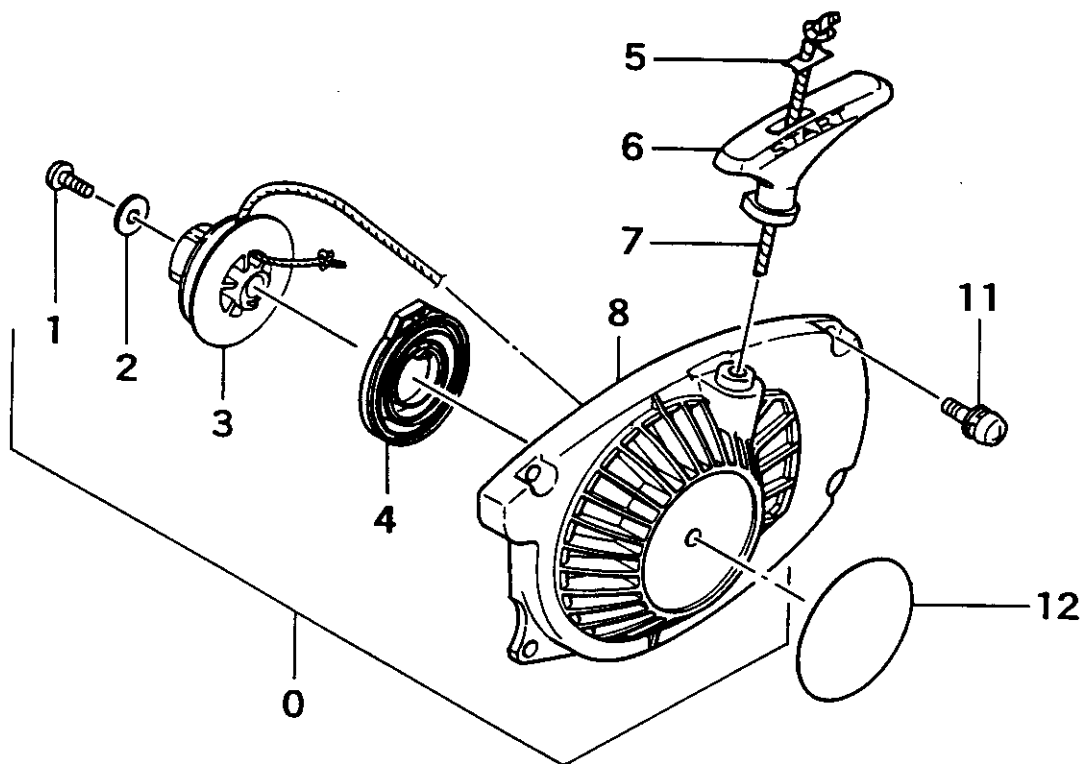
-To be cont'd-

FIG.2 ENGINE COMPONENTS



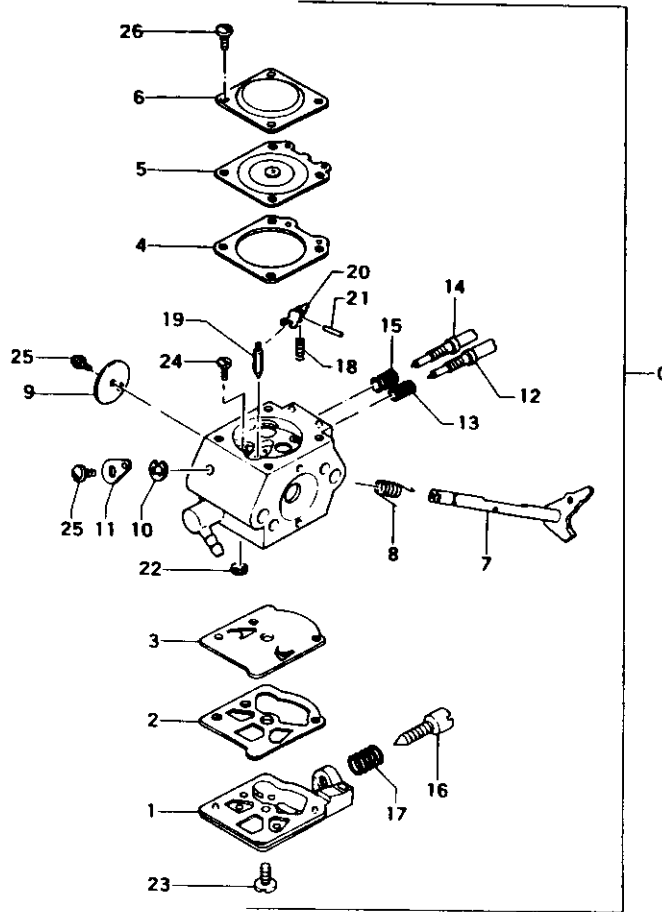
| REF. NBR | PART NBR | PART NAME | QTY | SERIAL NBR | REMARKS |
|----------|---------------|----------------------|-----|------------|---------|
| 2-023 | 491-32540-200 | THROTTLE GUIDE | 1 | | |
| 2-024 | 700-12665-110 | FUEL PIPE | 1 | | |
| 2-025 | 680-00731-201 | CLIP | 1 | | |
| 2-030 | 016-04080-801 | CYLINDER COVER COMP. | 1 | | |
| 2-031 | 203-10000-200 | PRIMARY CORD GROMMET | 1 | | |
| 2-032 | 203-06000-200 | PRIMARY CORD GROMMET | 1 | | |
| 2-033 | 274-04080-800 | EARTH CORD, B55M | 1 | | |
| 2-034 | 994-14050-162 | SCREW 5X16/S | 1 | | |
| 2-035 | 994-15050-162 | SCREW 5X16/PS | 5 | | |
| 2-036 | 027-0630A-201 | COLLAR | 2 | | |
| 2-040 | 705-04079-900 | MUFFLER ASS'Y | 1 | | |
| 2-041 | 717-04075-800 | MUFFLER BODY B COMP. | 1 | | |
| 2-042 | 740-01802-200 | MUFFLER COLLAR | 1 | | |
| 2-043 | 737-04090-200 | MUFFLER GASKET | 1 | | |
| 2-044 | 992-01050-011 | WASHER 5 | 1 | | |
| 2-045 | 990-51050-353 | HEX. HOLE BOLT 5X35 | 1 | | |
| 2-046 | 992-00050-011 | SMALL WASHER 5 | 2 | | |
| 2-047 | 990-51050-353 | HEX. HOLE BOLT 5X35 | 2 | | |
| 2-048 | 732-04079-200 | SPARK ARRESTOR | 1 | | |
| 2-049 | 710-04060-800 | MUFFLER BODY COMP. | 1 | | |

FIG.3 RECOIL STARTER



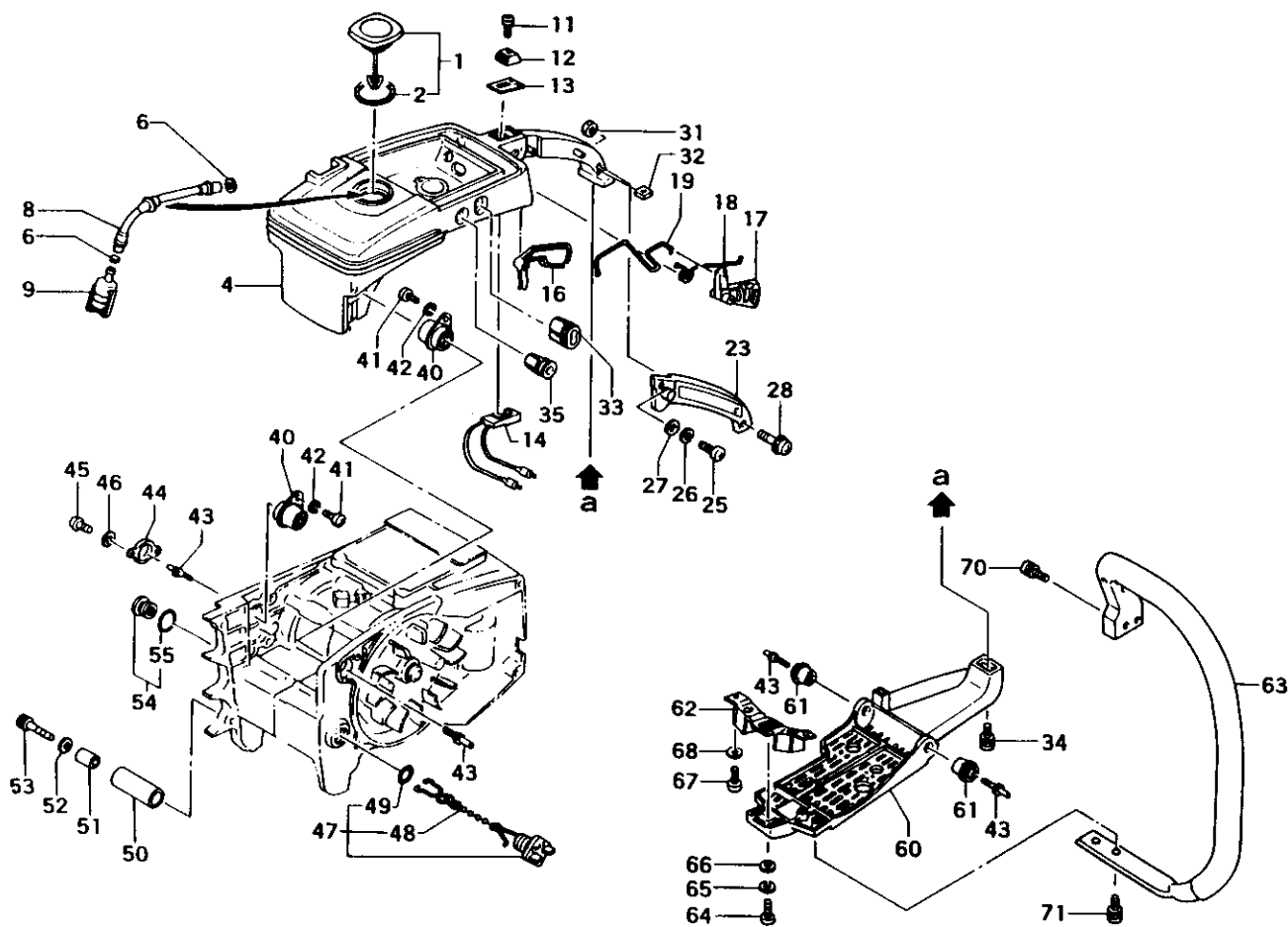
| REF. NBR | PART NBR | PART NAME | QTY | SERIAL NBR | REMARKS |
|----------|---------------|--------------------------|-----|------------|---------|
| 3-000 | 756-04080-900 | RECOIL STARTER ASSY | 1 | | |
| 3-001 | 890-15050-121 | SCREW 5X12 | 1 | | |
| 3-002 | 786-04063-200 | STARTER WASHER | 1 | | |
| 3-003 | 774-04063-800 | STARTER ROPE REEL COMP. | 1 | | |
| 3-004 | 778-00601-900 | RECOIL SPRING CASE ASS'Y | 1 | | |
| 3-005 | 795-04063-200 | ROPE STOPPER | 1 | | |
| 3-006 | 785-04063-200 | STARTER HANDLE | 1 | | |
| 3-007 | 783-04075-200 | STARTER ROPE | 1 | | |
| 3-008 | 112-04080-800 | FAN CASE COMP. | 1 | | |
| 3-011 | 994-16050-162 | SCREW 5X16/WS | 4 | | |
| 3-012 | 950-37900-200 | PROFORCE MARK A | 1 | | |

FIG.4 CARBURETOR



| REF. NBR | PART NBR | PART NAME | QTY | SERIAL NBR | REMARKS |
|----------|---------------|--------------------------|-----|------------|---------|
| 4-000 | 455-25048-900 | CARBURETOR ASS'Y | 1 | | |
| 4-001 | 575-25043-800 | PUMP BODY COMP. | 1 | | |
| 4-002 | 577-25007-200 | PUMP GASKET | 1 | | |
| 4-003 | 576-25006-200 | PUMP DIAPHRAGM | 1 | | |
| 4-004 | 475-25001-200 | DIAPHRAGM GASKET | 1 | | |
| 4-005 | 474-25001-800 | METERING DIAPHRAGM COMP. | 1 | | |
| 4-006 | 476-25004-200 | DIAPHRAGM COVER | 1 | | |
| 4-007 | 464-25016-800 | THROTTLE SHAFT COMP. | 1 | | |
| 4-008 | 486-25040-200 | THROTTLE SPRING | 1 | | |
| 4-009 | 488-25007-200 | THROTTLE VALVE | 1 | | |
| 4-010 | 489-25007-200 | STOP RING | 1 | | |
| 4-011 | 491-25007-200 | THROTTLE LEVER | 1 | | |
| 4-012 | 460-25027-200 | HIGH ADJUST SCREW | 1 | | |
| 4-013 | 485-25040-200 | HIGH ADJUST SPRING | 1 | | |
| 4-014 | 461-25043-200 | LOW ADJUST SCREW | 1 | | |
| 4-015 | 623-25032-200 | HIGH/LOW ADJUST SPRING | 1 | | |
| 4-016 | 462-25016-200 | IDLE ADJUST SCREW | 1 | | |
| 4-017 | 463-25006-200 | IDLE ADJUST SPRING | 1 | | |
| 4-018 | 477-25013-200 | VALVE SPRING | 1 | | |
| 4-019 | 603-25001-200 | NEEDLE VALVE | 1 | | |
| 4-020 | 473-25001-200 | VALVE HINGE | 1 | | |
| 4-021 | 605-25001-200 | HINGE PIN | 1 | | |
| 4-022 | 578-25007-200 | INLET SCREEN | 1 | | |
| 4-023 | 514-25001-200 | SET SCREW | 1 | | |
| 4-024 | 546-25001-200 | HINGE PIN SET SCREW | 1 | | |
| 4-025 | 467-25003-200 | SHUTTER SCREW | 2 | | |
| 4-026 | 548-25012-200 | SET SCREW | 4 | | |

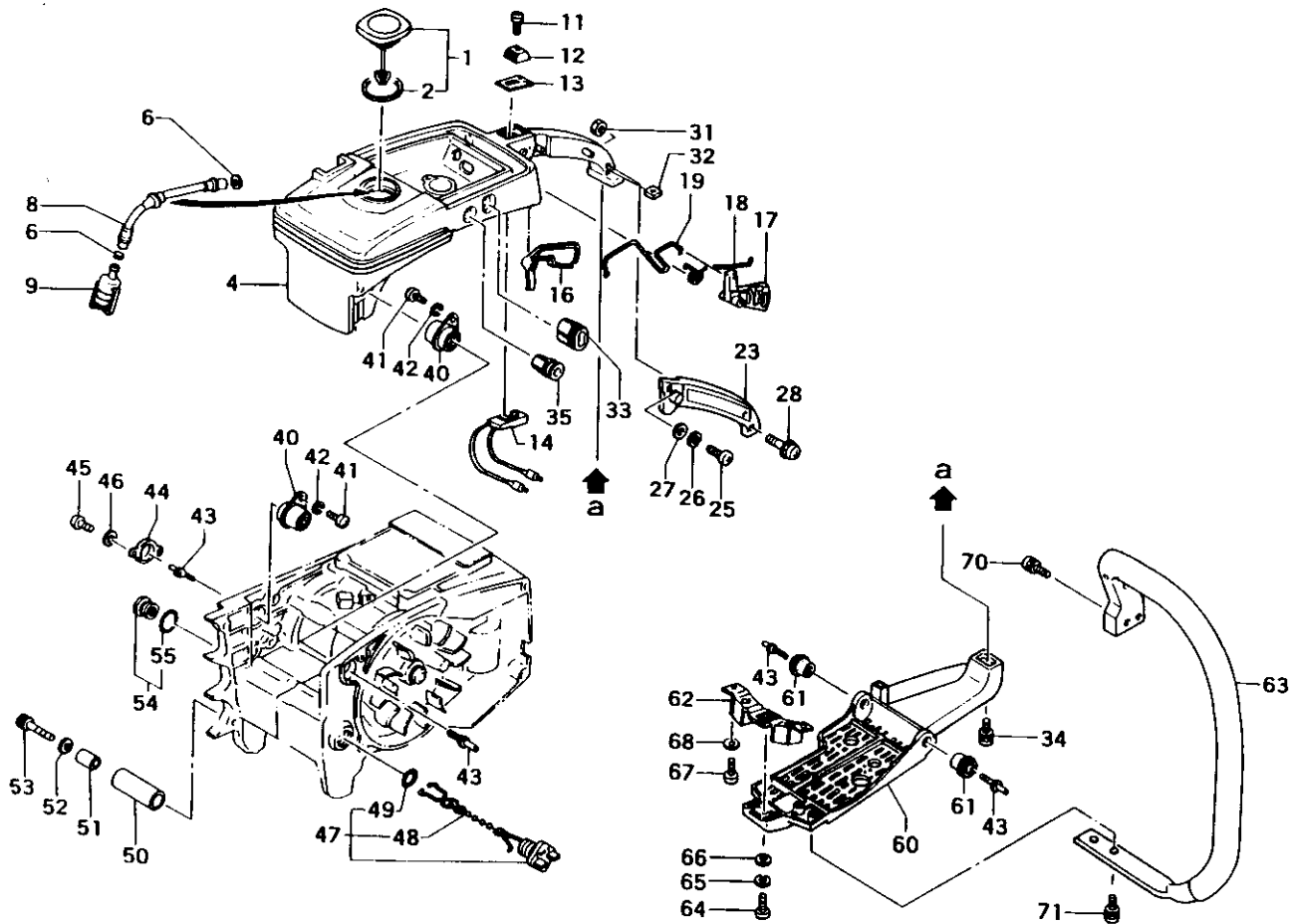
FIG.5 HANDLE



| REF. NBR | PART NBR | PART NAME | QTY | SERIAL NBR | REMARKS |
|----------|---------------|------------------------|-----|------------|---------|
| 5-001 | 635-32615-910 | FUEL TANK CAP ASS'Y | 1 | | |
| 5-002 | 642-11600-200 | TANK CAP GASKET | 1 | | |
| 5-004 | 010-32815-800 | REAR HANDLE A COMP. | 1 | | |
| 5-006 | 680-04019-210 | CLIP 7 | 2 | | |
| 5-008 | 678-04080-201 | RUBBER PIPE | 1 | | |
| 5-009 | 675-11600-900 | PUMP FILTER BODY ASS'Y | 1 | | |
| 5-011 | 994-31030-101 | SCREW 3X10 | 1 | | |
| 5-012 | 258-11600-200 | BUTTON STOP | 1 | | |
| 5-013 | 925-32530-200 | STOP BUTTON MARK | 1 | | |
| 5-014 | 170-04080-800 | STOP BUTTON COMP. | 1 | | |
| 5-016 | 257-32810-200 | SAFETY LEVER | 1 | | |
| 5-017 | 060-32810-200 | THROTTLE LEVER | 1 | | |
| 5-018 | 061-32810-200 | THROTTLE LEVER SPRING | 1 | | |
| 5-019 | 490-32810-200 | THROTTLE ROD | 1 | | |
| 5-023 | 011-32810-800 | REAR HANDLE B COMP. | 1 | | |
| 5-025 | 990-11040-301 | SCREW 4X30 | 1 | | |
| 5-026 | 992-10040-012 | S.WASHER 4 | 1 | | |
| 5-027 | 992-00040-011 | SMALL WASHER 4 | 1 | | |
| 5-028 | 994-16040-226 | SCREW 4X22/WS | 2 | | |
| 5-031 | 991-01040-011 | HEX. NUT 4 | 3 | | |
| 5-032 | 856-32810-200 | SPECIAL NUT | 1 | | |
| 5-033 | 190-32540-200 | ADJUSTER CAP | 1 | | |
| 5-034 | 994-15050-252 | SCREW 5X25PS | 1 | | |
| 5-035 | 191-32710-200 | GROMMET | 1 | | |
| 5-040 | 219-32530-800 | DAMPER COMP. | 2 | | |
| 5-041 | 990-11050-121 | SCREW 5X12 | 2 | | |

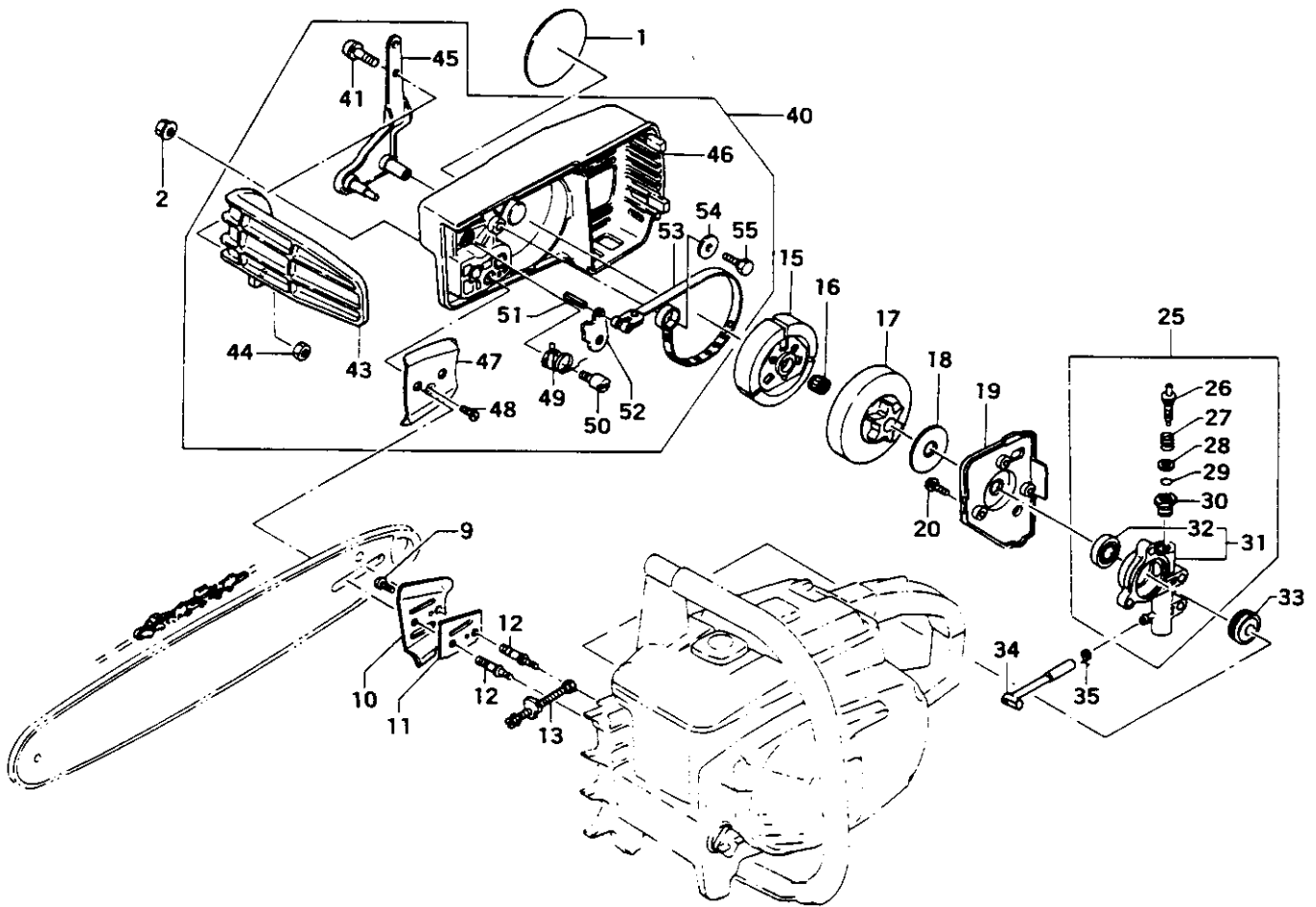
-To be cont'd-

FIG.5 HANDLE



| REF. NBR | PART NBR | PART NAME | Q'TY | SERIAL NBR | REMARKS |
|----------|---------------|---------------------|------|------------|---------|
| 5-042 | 992-10050-012 | S. WASHER 5 | 2 | | |
| 5-043 | 295-32600-202 | DAMPER SET BOLT A | 4 | | |
| 5-044 | 224-32600-200 | DAMPER CAP | 1 | | |
| 5-045 | 990-11040-081 | SCREW 4X8 | 2 | | |
| 5-046 | 992-00040-011 | SMALL WASHER 4 | 2 | | |
| 5-047 | 642-32650-901 | OIL TANK CAP ASS'Y | 1 | | |
| 5-048 | 625-32620-900 | TANK CAP CHAIN ASSY | 1 | | |
| 5-049 | 999-67020-000 | O-RING P-20 | 1 | | |
| 5-050 | 125-32540-200 | CHAIN CATCHER | 1 | | |
| 5-051 | 478-32540-200 | COLLAR | 1 | | |
| 5-052 | 992-00050-011 | SMALL WASHER 5 | 1 | | |
| 5-053 | 990-51050-253 | HEX. HOLE BOLT 5X25 | 1 | | |
| 5-054 | 525-32530-900 | OIL LEVEL CAP ASS'Y | 1 | | |
| 5-055 | 999-67020-000 | O-RING P-20 | 1 | | |
| 5-060 | 002-32810-800 | ENGINE BASE COMP. | 1 | | |
| 5-061 | 219-32600-821 | DAMPER COMP. | 2 | | |
| 5-062 | 266-32530-801 | DAMPER B COMP. | 1 | | |
| 5-063 | 209-32810-800 | FRONT HANDLE COMP. | 1 | | |
| 5-064 | 990-11050-141 | SCREW 5X14 | 1 | | |
| 5-065 | 992-10050-012 | S. WASHER 5 | 1 | | |
| 5-066 | 992-01050-011 | WASHER 5 | 1 | | |
| 5-067 | 990-11050-121 | SCREW 5X12 | 2 | | |
| 5-068 | 992-10050-012 | S. WASHER 5 | 2 | | |
| 5-070 | 994-15050-252 | SCREW 5X25PS | 2 | | |
| 5-071 | 994-15050-162 | SCREW 5X16/PS | 2 | | |

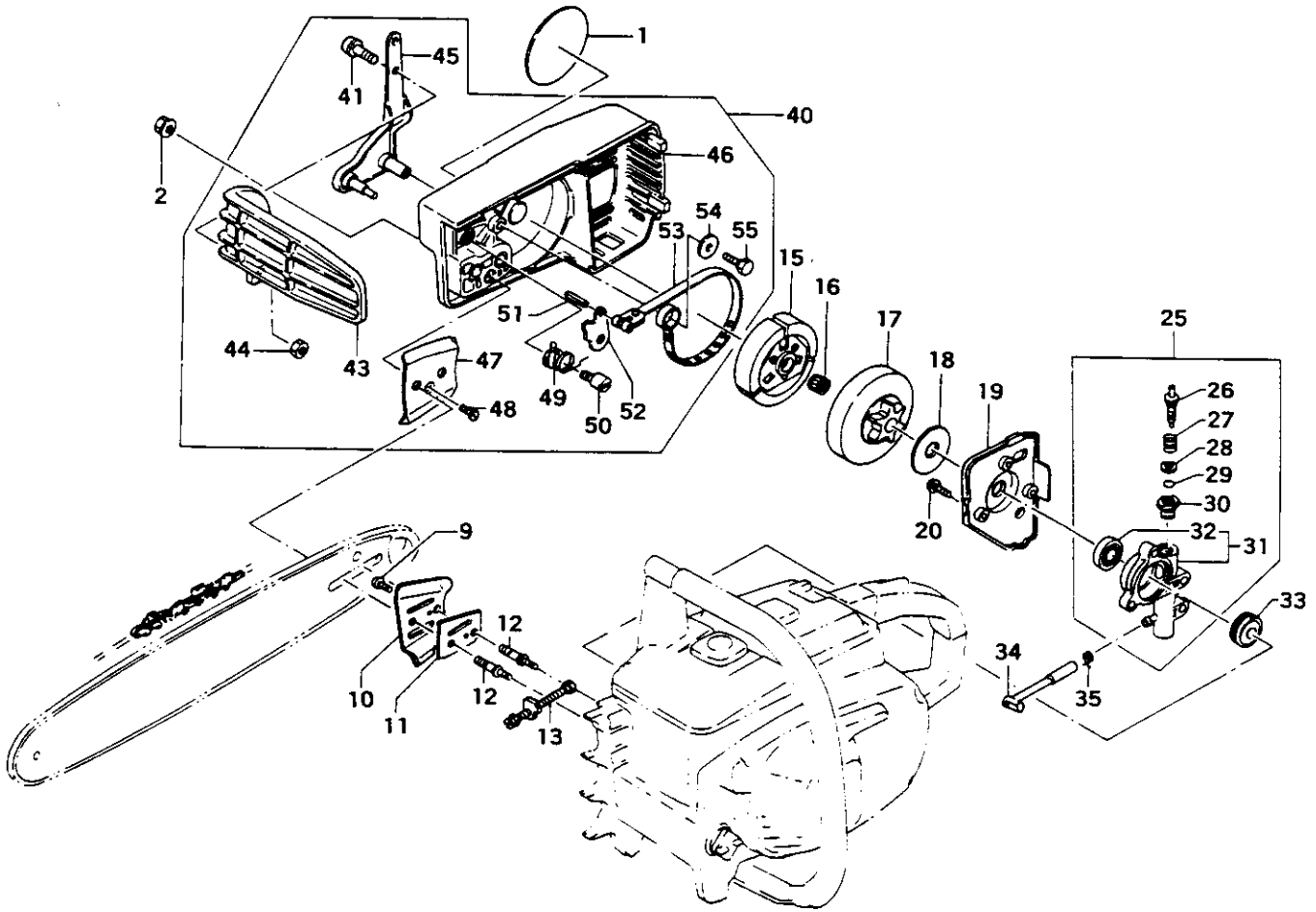
FIG.6 SIDE CASE



| REF. NBR | PART NBR | PART NAME | QTY | SERIAL NBR | REMARKS |
|----------|---------------|-------------------------------|-----|------------|---------|
| 6-001 | 906-3281F-200 | NAME PLATE | 1 | | |
| 6-002 | 121-32530-200 | CHAIN BAR CLAMP NUT | 2 | | |
| 6-009 | 990-11040-081 | SCREW 4X8 | 1 | | |
| 6-010 | 461-32540-200 | GUIDE PLATE A | 1 | | |
| 6-011 | 466-32520-200 | PLATE | 1 | | |
| 6-012 | 101-32530-200 | CHAIN BAR STUD BOLT | 2 | | |
| 6-013 | 116-32382-900 | TENSION ADJUSTMENT BOLT ASS'Y | 1 | | |
| 6-015 | 287-01801-801 | CLUTCH COMP. | 1 | | |
| 6-016 | 999-62101-301 | NEEDLE BEARING 101310 | 1 | | |
| 6-017 | 310-01801-801 | CLUTCH HOUSING COMP. P-3/8 | 1 | | |
| 6-018 | 358-04050-201 | CLUTCH WASHER | 1 | | |
| 6-019 | 097-32530-810 | OIL PUMP COVER COMP. | 1 | | |
| 6-020 | 990-11050-221 | SCREW 5X22 | 3 | | |
| 6-025 | 088-32530-910 | OIL PUMP CASE ASS'Y | 1 | | |
| 6-026 | 501-32530-201 | OIL PUMP ADJUSTER | 1 | | |
| 6-027 | 502-32550-200 | ADJUSTER SPRING | 1 | | |
| 6-028 | 992-01050-011 | WASHER 5 | 1 | | |
| 6-029 | 999-67005-000 | O-RING P-5 | 1 | | |
| 6-030 | 503-32550-200 | OIL PUMP ADJUST CAP | 1 | | |
| 6-031 | 145-32530-800 | OIL PUMP COMP | 1 | | |

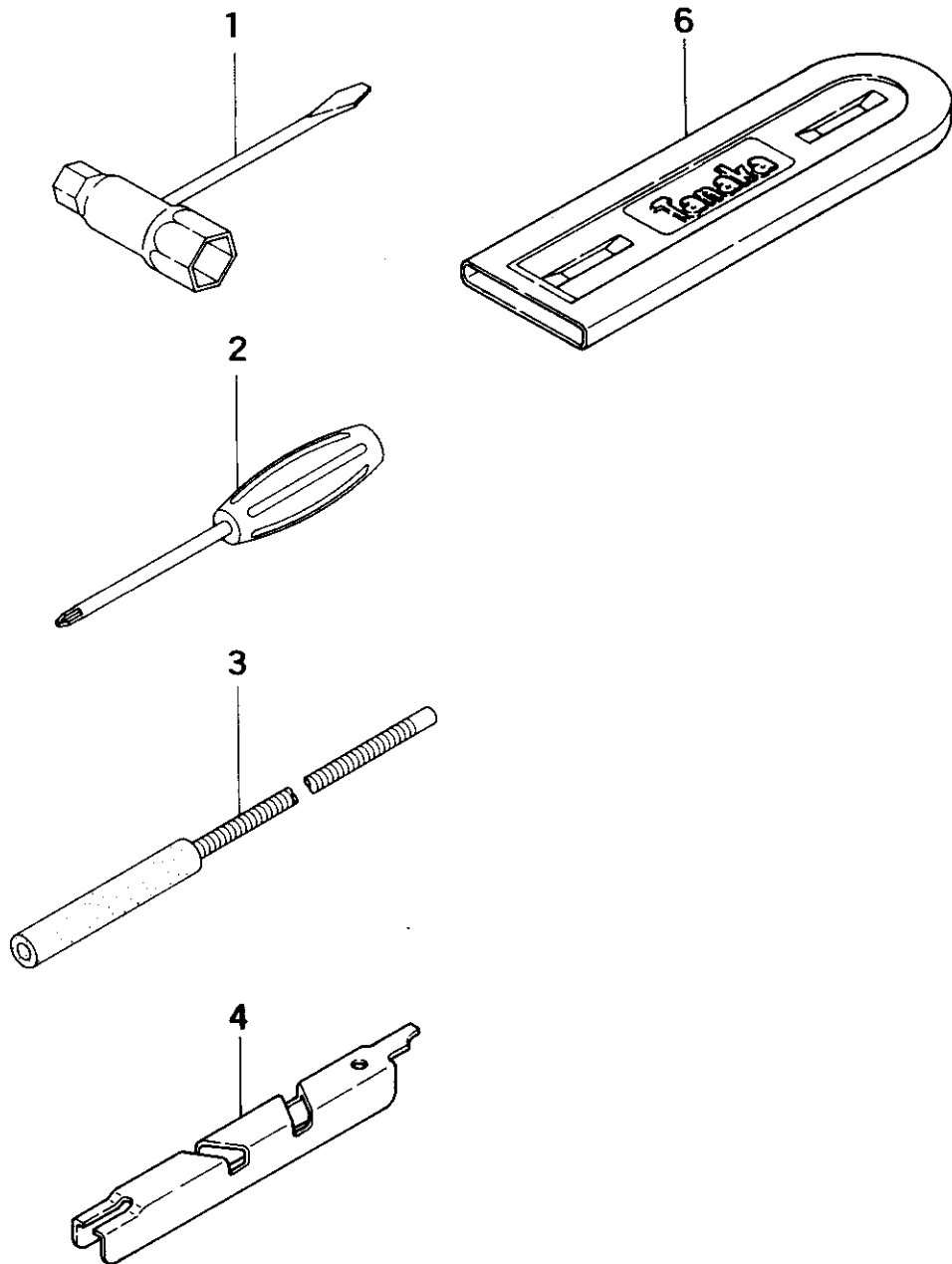
-To be cont'd-

FIG.6 SIDE CASE



| REF. NBR | PART NBR | PART NAME | QTY | SERIAL NBR | REMARKS |
|----------|---------------|--------------------|-----|------------|---------|
| 6-032 | 999-66132-420 | OIL SEAL AC13246 | 1 | | |
| 6-033 | 084-32350-200 | SCREW GEAR | 1 | | |
| 6-034 | 515-32530-221 | OIL PIPE A | 1 | | |
| 6-035 | 680-04060-200 | CLIP 6.8 | 1 | | |
| 6-040 | 040-32818-900 | SIDE CASE ASS'Y | 1 | | |
| 6-041 | 994-14050-162 | SCREW 5X16/S | 2 | | |
| 6-043 | 380-32529-200 | BRAKE HANDLE | 1 | | |
| 6-044 | 991-01050-011 | HEX. NUT 5 | 2 | | |
| 6-045 | 361-32750-801 | BRAKE LEVER COMP. | 1 | | |
| 6-046 | 040-32529-800 | SIDE CASE COMP. | 1 | | |
| 6-047 | 462-32525-200 | GUIDE PLATE B | 1 | | |
| 6-048 | 993-41040-101 | SCREW 4X10 | 1 | | |
| 6-049 | 374-32367-210 | BRAKE SPRING | 1 | | |
| 6-050 | 382-32750-200 | STEP BOLT A | 1 | | |
| 6-051 | 993-24040-120 | SPRING PIN 4X12 | 1 | | |
| 6-052 | 373-32367-201 | BRAKE ARM | 1 | | |
| 6-053 | 378-32529-800 | BRAKE BAND COMP. | 1 | | |
| 6-054 | 368-32057-200 | BRAKE SHAFT WASHER | 1 | | |
| 6-055 | 383-32367-210 | STEP BOLT B | 1 | | |

FIG.7 TOOLS & OPTIONAL PARTS



| REF. NBR | PART NBR | PART NAME | QTY | SERIAL NBR | REMARKS |
|----------|---------------|--------------------------|-----|------------|---------|
| 7-001 | 013-29325-400 | COMBI. BOX SPANNER 10X19 | 1 | | |
| 7-002 | 862-20000-200 | PLUS DRIVER 4 | 1 | | |
| 7-003 | 936-20000-801 | FILE ASS'Y 5/32" | 1 | | |
| 7-004 | 930-32057-200 | DEPTH GAUGE | 1 | | |
| 7-006 | 947-32055-202 | CHAIN COVER 16" | 1 | | |