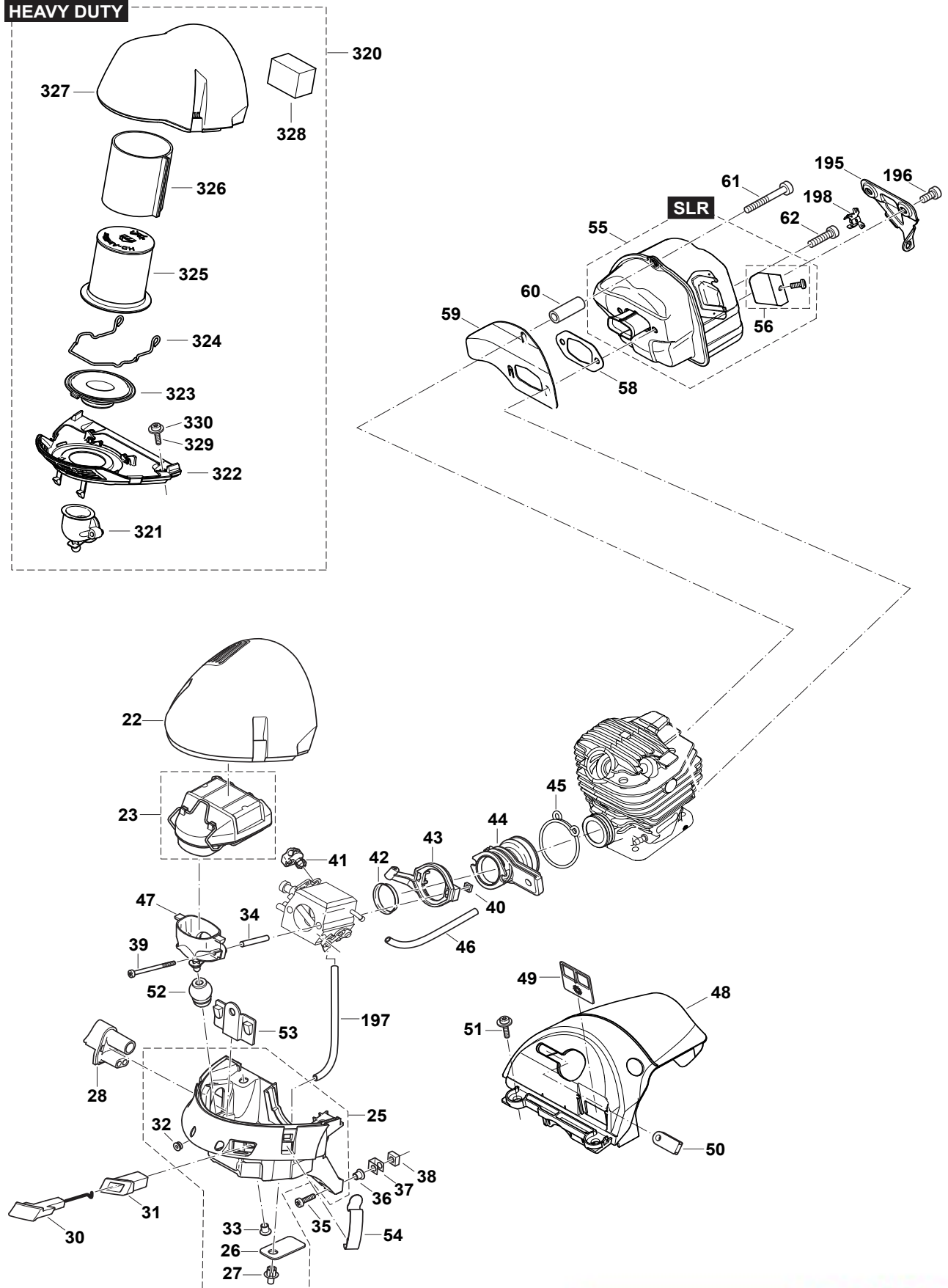


Products with multiple versions are listed in subsiding order with the newest version on top not indented.

Section	Fig. No.	Part No.	Description	EA7900PR	PS-7910	EA7901PR	PS-7910H	Tech Bulletin	Notes
1	1	038-310-021	HANDLE	1	1				
1	2	038-310-062	CLAMP	1	1	1	1		
1	3	908-006-145	SCREW	1	1	1	1		
1	4	266478-9	SCREW	4	4	4	4		
1	4	913-455-164	SCREW	4	4	4	4		
1	5	038-114-200	FUEL TANK,	1	1				
1	6	957-114-061	AIR VALVE CPL.	1	1	1	1		
1	7	038-114-031	GRIP PLATE RED	1	1	1	1		
1	8	038-117-020	CATCH LEVER	1	1	1	1		
1	9	038-117-030	ROCKER	1	1	1	1		
1	10	038-117-010	THROTTLE LEVER	1	1	1	1		
1	11	038-117-050	SPRING	1	1	1	1		
1	12	935-930-240	CYLINDRICAL PIN	1	1	1	1		
1	13	935-930-280	CYLINDRICAL PIN	1	1	1	1		
1	14	038-117-041	BOWDEN CABLE	1	1	1	1		
1	15	913-340-204	SCREW	1	1	1	1		
1	16	038-114-052	FUEL LINE	1	1	1	1		
1	17	975-001-241	SHORT-CIRCUIT SWITCH	1	1	1	1		
1	18	010-114-050	TANK CAP ASSY. (FUEL)	1	1	1	1		
1	19	963-228-030	PACKING RING	1	1	1	1		
1	20	010-114-010	SUCTION HEAD	1	1	1	1		
1	21	010-114-020	REP. KIT, FILTER (5 OF EACH)	1	1	1	1		
1	84	038-310-070	SPRING LIMITER	1	1	1	1		
1	85	038-310-111	FULL WRAP HANDLE	1	1				FULL WRAP HANDLE
1	120	010-114-039	SET OF SPRINGS	1	1	1	1		
1	188	266478-9	DOLMAR SCREW	1	1	1	1		
1	188	913-455-164	DOLMAR SCREW	1	1	1	1		5,5X16

HEAVY DUTY

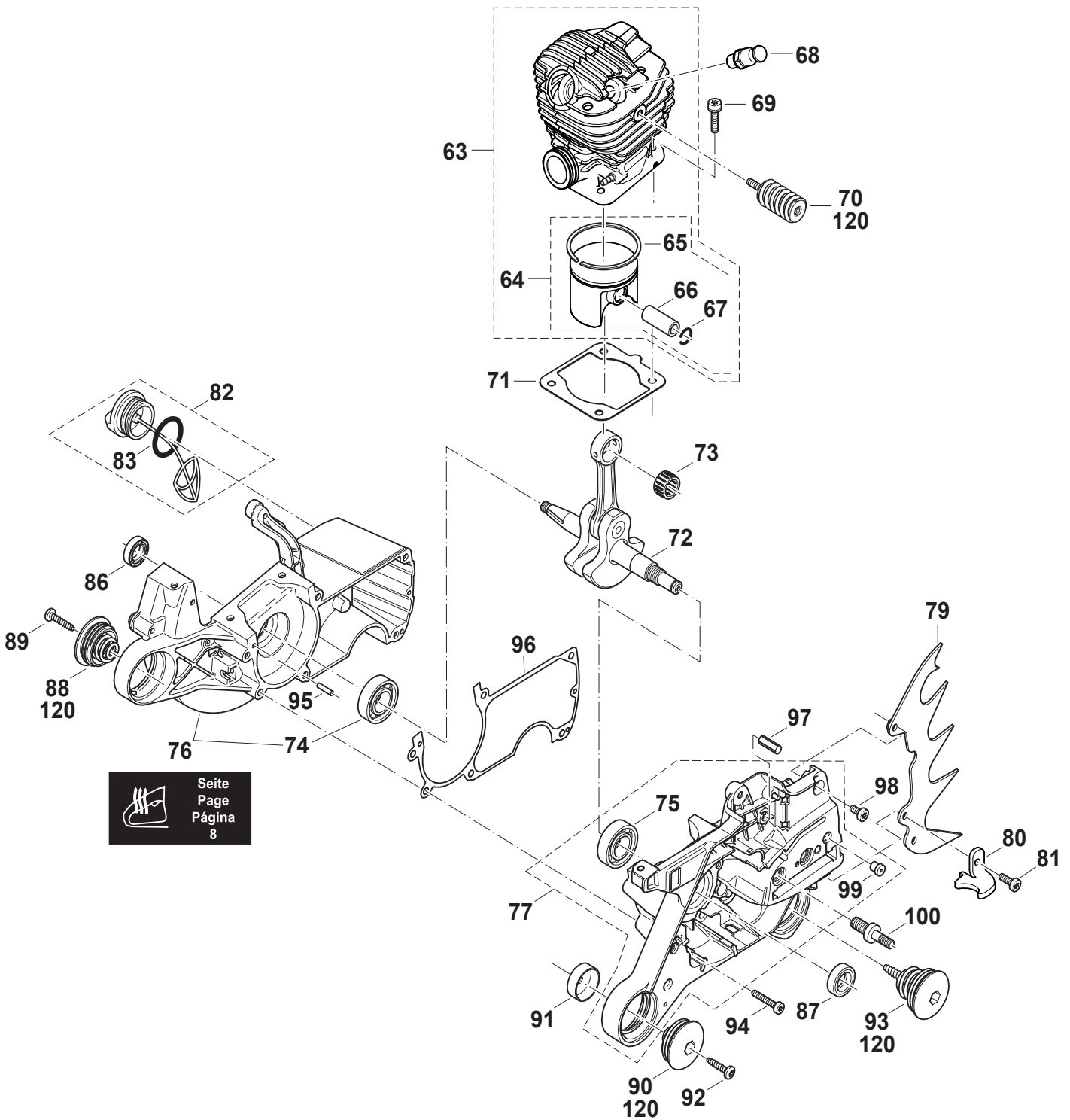


Products with multiple versions are listed in subsiding order with the newest version on top not indented.

Section	Fig. No.	Part No.	Description	EA7900PR	PS-7910	EA7901PR	PS-7910H	Tech Bulletin	Notes
2	22	038-118-024	COVER BLACK	1	1	1	1		
2	23	038-173-101	AIR FILTER CPL.	1	1	1	1		
2	23	038-173-011	AIR FILTER CPL.	1	1	1	1		
2	25	038-118-170	BOTTOM RED	1	1	1	1		
2	26	038-118-110	RUBBER FLAP	2	2	2	2		
2	27	938-650-062	RIVET	2	2	2	2		
2	28	038-118-083	GUIDE	1	1	1	1		
2	30	038-155-052	CHOKE SHAFT	1	1	1	1		
2	31	038-155-020	CHOKE GUIDE	1	1	1	1		
2	32	038-118-300	RUBBER BUSH	1	1	1	1		
2	33	001-118-100	BUSHING	2	2	2	2		
2	34	038-155-060	SPACER	2	2	2	2		
2	35	266476-3	SCREW	2	2	2	2		
2	35	908-005-205	SCREW	2	2	2	2		
2	36	001-118-100	BUSHING	2	2	2	2		
2	37	038-111-050	CLIP	2	2	2	2		
2	38	038-111-060	SQUARE NUT	2	2	2	2		
2	39	908-204-555	SCREW	2	2	2	2		
2	40	921-804-004	SQUARE NUT	2	2	2	2		
2	41	038-155-012	RETAINING CLIP	1	1	1	1		
2	42	038-131-031	INSERT FOR SUCTION HOSE	1	1	1	1		
2	43	038-171-041	FLANGE	1	1	1	1		
2	44	038-131-011	SUCTION HOSE	1	1	1	1		
2	45	038-131-070	HOSE CLIP	1	1	1	1		
2	46	965-452-382	TUBE	M	M	M	M		
2	47	038-171-012	CONNECTING MUFF	1	1	1	1		
2	48	038-118-050	HOOD BLACK	1	1	1	1		
2	49	038-118-140	INSERT	1	1	1	1		
2	50	038-118-130	CABLE GUIDE	1	1	1	1		
2	51	917-105-205	SCREW	2	2	2	2		
2	52	038-171-031	HOLDER	1	1	1	1		
2	52	038-171-030	HOLDER	1	1	1	1		
2	53	038-118-100	PLUG	1	1	1	1		
2	54	130-118-070	STEELCLIP	2	2	2	2		
2	55	038-174-702	MUFFLER	1	1	1	1		
2	55	038-174-700	MUFFLER	1	1	1	1		

Products with multiple versions are listed in subsiding order with the newest version on top not indented.

Section	Fig. No.	Part No.	Description	EA7900PR	PS-7910	EA7901PR	PS-7910H	Tech Bulletin	Notes
2	56	038-174-920	SPARK ARRESTER SCREEN CPL.	1	1	1	1		
2	58	038-174-811	MUFFLER GASKET	1	1	1	1		
2	59	038-174-023	COOLING PLATE	1	1	1	1		
2	60	326675-0	CONNECTING LINK	1	1	1	1		
2	60	038-174-030	CONNECTING LINK	1	1	1	1		
2	61	266606-6	H.L. SOCKET HEAD BOLT	1	1	1	1		
2	61	908-305-405	H.L. SOCKET HEAD BOLT	1	1	1	1		
2	62	266960-8	H.L. SOCKET HEAD BOLT	2	2	2	2		
2	62	908-405-205	H.L. SOCKET HEAD BOLT	2	2	2	2		
2	195	038-174-400	EXHAUST HOLDER PANEL	1	1	1	1		
2	196	909-005-105	SCREW	2	2	2	2		
2	197	965-452-382	TUBE	1	1	1	1		
2	198	038-174-451	PLUG FOR MUFFLER TUBE	2	2	2	2		
2	320	957-173-400	AIR FILTER	1	1	1	1		
2	321	038-171-050	CONNECTING MUFF	1	1	1	1		
2	322	038-118-460	INTERMEDIATE BOTTOM	1	1	1	1		
2	323	038-118-490	BELLOWS	1	1	1	1		
2	324	038-118-450	CLIP FOR BOW	1	1	1	1		
2	325	038-173-310	AIR-FILTER CARTRIDGE	1	1	1	1		
2	326	038-173-350	PRE-FILTER	1	1	1	1		
2	327	038-118-410	COVER,BLACK, HD	1	1	1	1		
2	328	038-173-370	PRE-FILTER	1	1	1	1		
2	329	908-405-255	SCREW	2	2	2	2		
2	330	924-805-310	DISC	2	2	2	2		



Seite
Page
Página
8

Products with multiple versions are listed in subsiding order with the newest version on top not indented.

Section	Fig. No.	Part No.	Description	EA7900PR	PS-7910	EA7901PR	PS-7910H	Tech Bulletin	Notes
3	63	038-130-071	CYLINDER / PISTON CPL.	1	1	1	1		
3	64	038-132-070	PISTON CPL.	1	1	1	1		
3	65	038-132-020	PISTON RING	1	1	1	1		
3	66	038-132-070	PISTON PIN	1	1	1	1		
3	67	038-132-080	CLIP	2	2	2	2		
3	68	038-118-180	DECOMPRESSION VALVE	1	1	1	1		
3	69	908-805-235	SCREW	4	4	4	4		
3	70	181-114-401	SPRING W. THREADED INSERT	1	1	1	1		
3	70	038-114-152	SPRING W. THREADED INSERT	1	1	1	1		
3	71	965-531-160	GASKET, METAL	1	1	1	1		
3	72	038-120-200	CRANKSHAFT CPL.	1	1	1	1		
3	73	962-210-121	NEEDLE CAGE	1	1	1	1		
3	74	960-102-152	BALL BEARING (USE GLUE)	1	1	1	1		
3	75	960-102-171	BALL BEARING	1	1	1	1		
3	75	960-102-179	BALL BEARING	1	1	1	1		
3	76	038-111-160	CRANKCASE MAG SIDE RED	1	1	1	1		
3	77	038-111-270	CRANKCASE CLUTCH SIDE RED	1	1	1	1		
3	77	038-111-141	CRANKCASE CLUTCH SIDE RED	1	1	1	1		
3	79	038-250-222	SPIKE BAR	1	1	1	1		
3	80	038-111-171	CHAIN CATCH	1	1	1	1		
3	81	908-805-205	SCREW	1	1	1	1		
3	82	010-114-050	TANK CAP ASSY. (FUEL)	1	1	1	1		
3	83	963-228-030	PACKING RING	1	1	1	1		
3	86	962-900-052	RADIAL RING	1	1	1	1		
3	87	962-900-061	RADIAL RING	1	1	1	1		
3	88	038-114-130	SPRING CPL. WITH CAP	1	1	1	1		
3	89	913-455-204	SCREW	1	1	1	1		
3	90	038-114-130	SPRING CPL. WITH CAP	1	1	1	1		
3	91	038-114-191	POT	1	1	1	1		
3	92	913-455-204	SCREW	1	1	1	1		
3	93	038-114-141	SPRING CPL. WITH CAP	1	1	1	1		
3	94	908-005-305	SCREW	6	6	6	6		
3	95	936-430-160	CLAMPING PIN	2	2	2	2		
3	96	038-111-043	GASKET	1	1	1	1		
3	96	038-111-042	GASKET	1	1	1	1		
3	97	934-660-250	SLOTTED PIN	1	1	1	1		

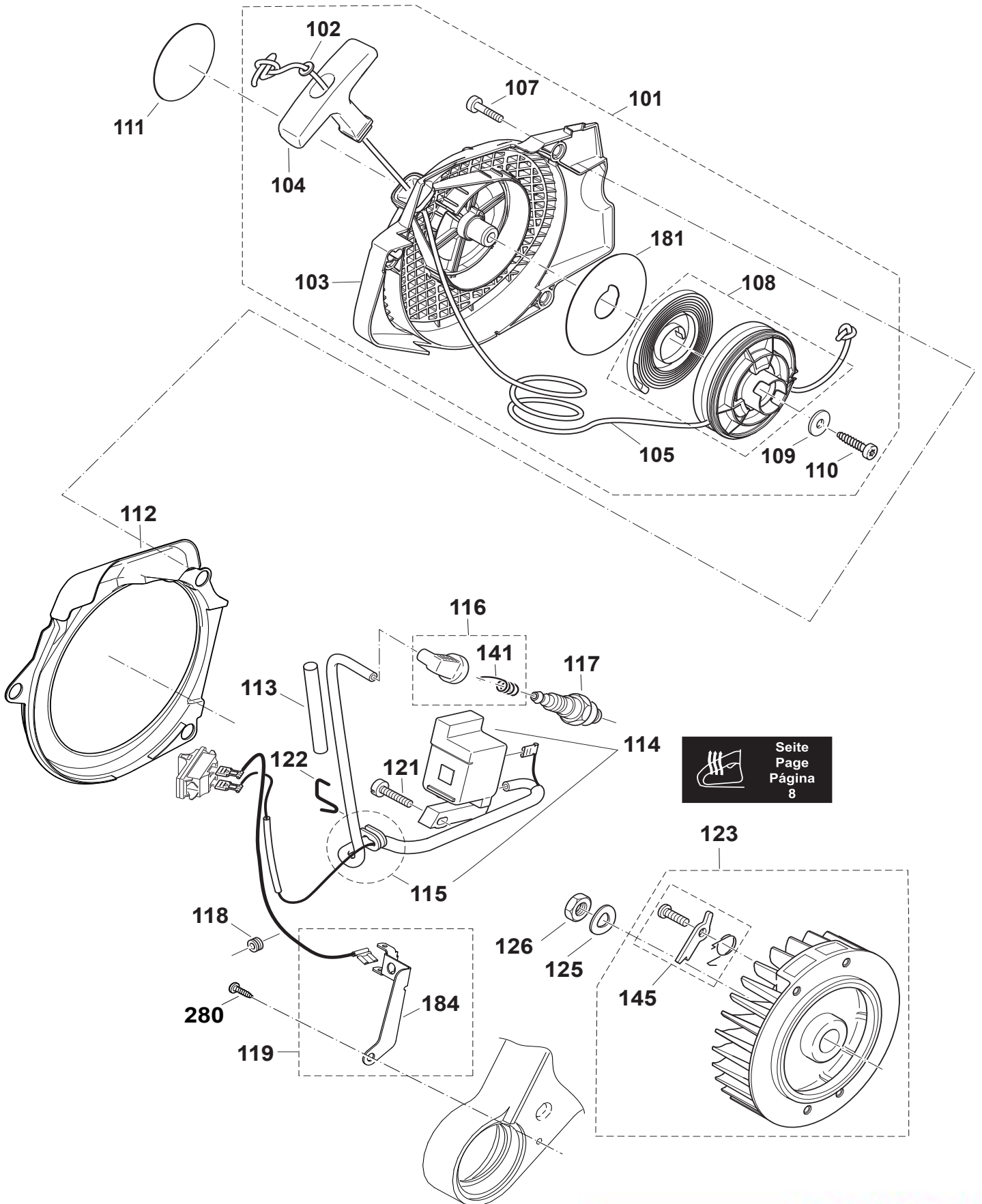
**EA7900PR, PS-7910
EA7901PR, PS-7910H**

3

**Cylinder, Piston, Crankshaft,
Crankcase**

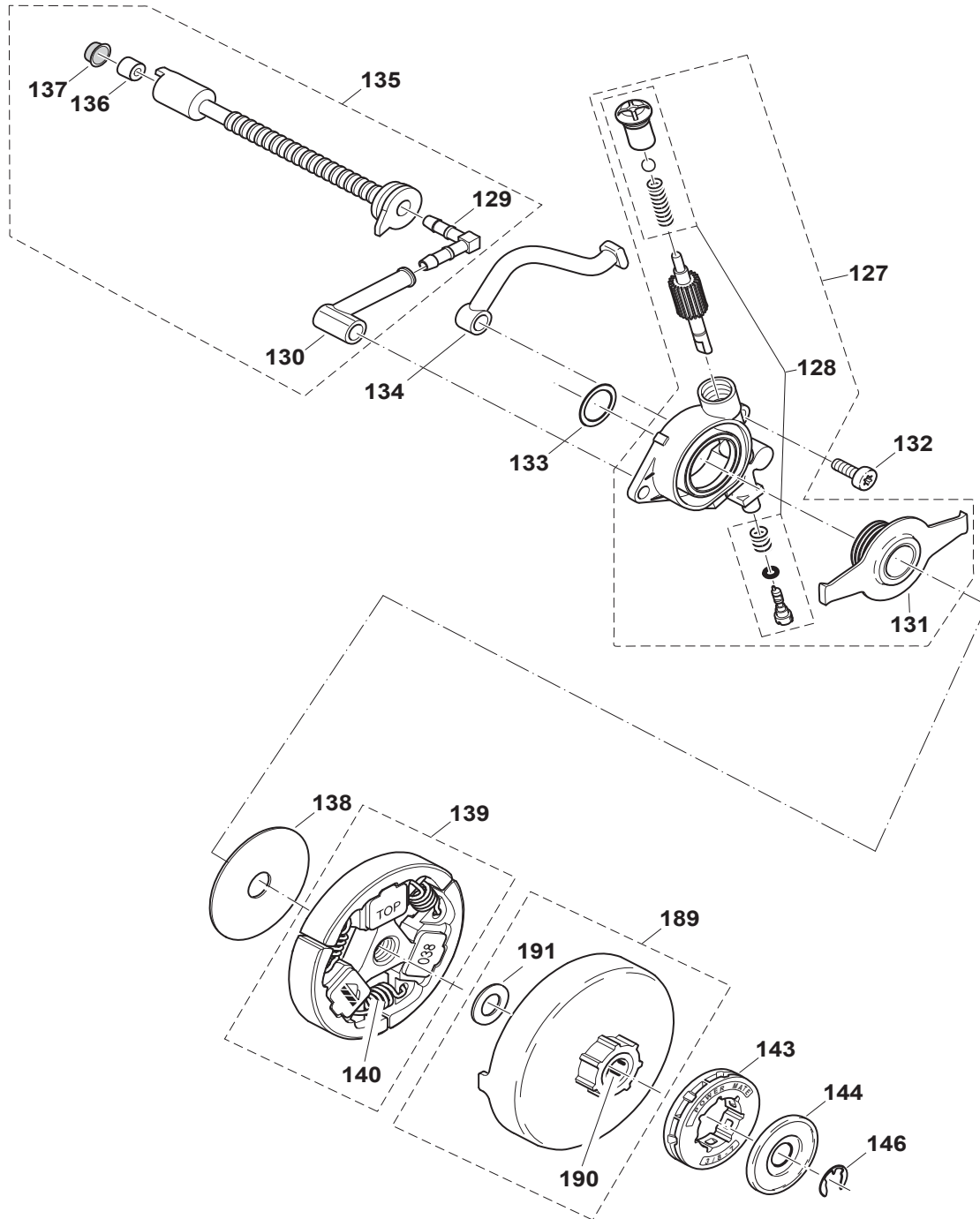
Products with multiple versions are listed in subsiding order with the newest version on top not indented.

Section	Fig. No.	Part No.	Description	EA7900PR	PS-7910	EA7901PR	PS-7910H	Tech Bulletin	Notes
3	98	266477-1	SCREW	1	1	1	1		
3	98	908-105-126	SCREW	1	1	1	1		
3	98	908-005-125	SCREW	1	1	1	1		
3	99	168504-9	VENT VALVE	1	1	1	1		
3	99	010-245-030	VENT VALVE	1	1	1	1		
3	100	038-232-011	TIGHTEN LOCKING BOLT	2	2	2	2		
3	120	010-114-039	SET OF SPRINGS	1	1	1	1		



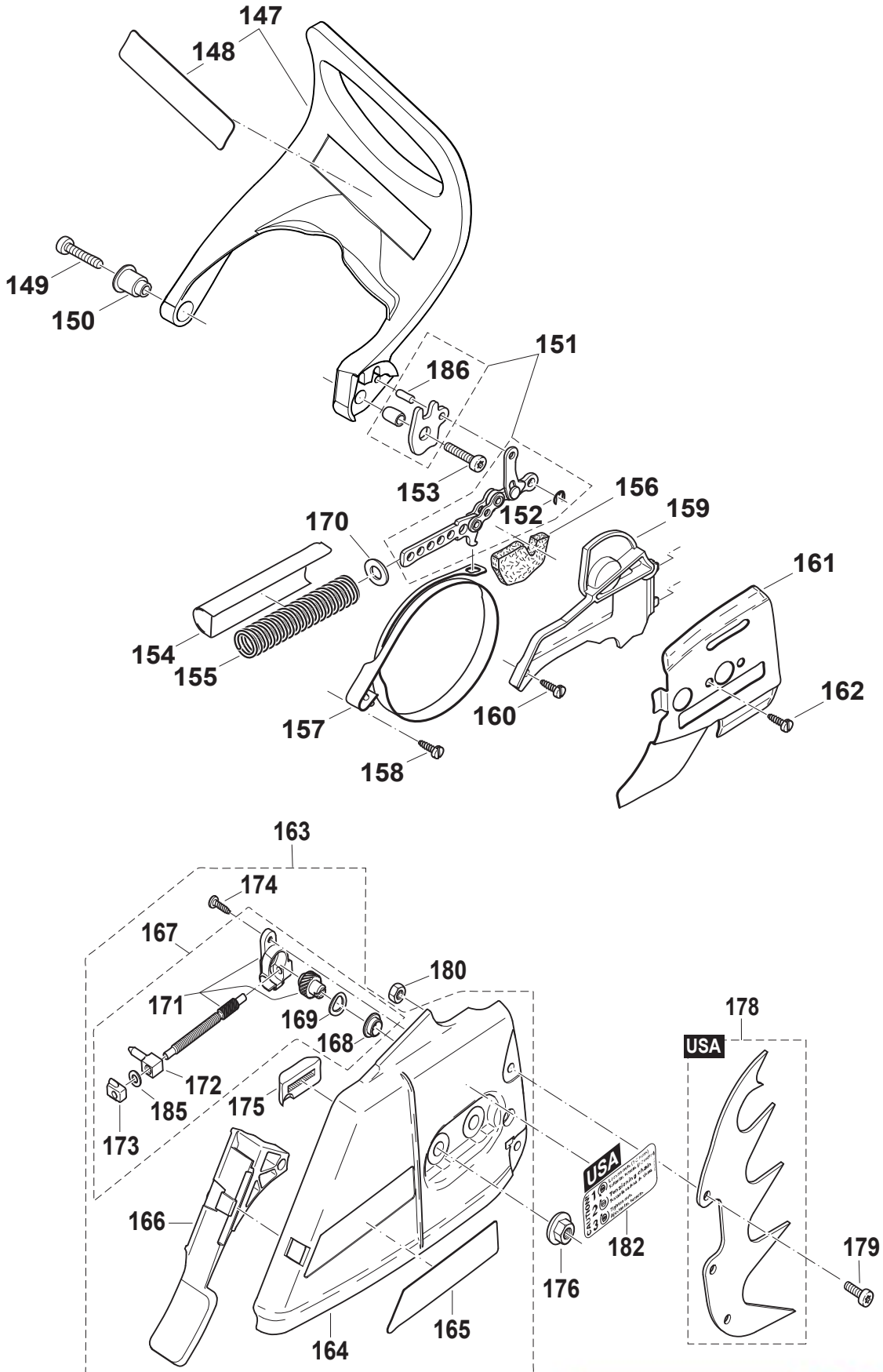
Products with multiple versions are listed in subsiding order with the newest version on top not indented.

Section	Fig. No.	Part No.	Description	EA7900PR	PS-7910	EA7901PR	PS-7910H	Tech Bulletin	Notes
4	101	038-160-010	STARTER ASSY. RED	1	1	1	1		
4	102	928-405-000	DISC	1	1	1	1		
4	103	038-112-032	FAN HOUSING RED	1	1	1	1		
4	104	001-161-020	STARTER GRIP	1	1	1	1		
4	105	108-164-020	STARTER ROPE	1	1	1	1		
4	105	985-000-155	STARTER ROPE	1	1	1	1		
4	107	266607-4	H.L. SOCKET HEAD BOLT	3	3	3	3		
4	107	908-605-205	H.L. SOCKET HEAD BOLT	3	3	3	3		
4	108	038-162-024	CABLE DRUM CPL.	1	1	1	1		
4	109	924-605-510	WASHER	1	1	1	1		
4	110	913-455-204	SCREW	1	1	1	1		
4	112	038-112-061	AIR DUCT	1	1	1	1		
4	112	038-112-060	AIR DUCT	1	1	1	1		
4	113	970-502-110	INSULATING HOSE	M	M	M	M		
4	114	038-143-200	IGNITION COIL	1	1	1	1		
4	115	038-143-030	CABLE HARNESS	1	1	1	1		
4	116	957-604-240	SPARK PLUG CAP CPL.	1	1	1	1		
4	117	965-603-021	SPARK PLUG	1	1	1	1		
4	118	965-401-011	RUBBER BUSHING	1	1	1	1		
4	119	957-311-590	EARTH CABLE	1	1	1	1		
4	121	908-304-205	SCREW	2	2	2	2		
4	122	038-111-110	CLIP	1	1	1	1		
4	123	957-141-000	FLYWHEEL ASSY.	1	1				
4	125	267822-3	SPRING WASHER	1	1	1	1		
4	125	926-208-001	SPRING WASHER	1	1	1	1		
4	126	920-208-024	HEXAGONAL NUT	1	1	1	1		
4	141	965-604-180	SPRING	1	1	1	1		
4	145	038-166-050	STARTER RATCHET CPL. (WITH SCREW)	2	2	2	2	2014-03	2010-10>
4	181	038-162-050	SPACER	1	1	1	1		
4	184	038-111-150	CLAMP	1	1	1	1		
4	280	251480-5	SCREW	1	1	1	1		
4	280	915-535-100	SCREW	1	1	1	1		



Products with multiple versions are listed in subsiding order with the newest version on top not indented.

Section	Fig. No.	Part No.	Description	EA7900PR	PS-7910	EA7901PR	PS-7910H	Tech Bulletin	Notes
5	127	038-245-011	OIL PUMP CPL.	1	1	1	1		
5	128	030-245-070	REPAIR KIT CPL.	1	1	1	1		
5	129	001-245-140	ANGULAR NIPPLE	1	1	1	1		
5	130	038-245-110	OIL LINE	1	1	1	1		
5	131	038-245-031	PUMP DRIVE	1	1	1	1		
5	132	908-005-125	SCREW	2	2	2	2		
5	133	038-224-021	DISC	1	1	1	1		
5	134	038-245-061	OIL LINE	1	1	1	1		
5	135	038-245-020	SUCTION LINE OIL CPL.	1	1	1	1		
5	136	900-005-066	DISTANCE RING	1	1	1	1		
5	137	963-601-100	SCREEN	1	1	1	1		
5	138	001-182-042	DISC	1	1	1	1		
5	139	038-180-013	CLUTCH ASSY.	1	1	1	1		
5	139	038-180-012	CLUTCH ASSY.	1	1	1	1		
5	140	024-184-021	SPRING	3	3	3	3		
5	143	119-224-070	RIM SPROCKET	1	1	1	1		
5	144	267820-7	DISC	1	1	1	1		
5	144	181-224-081	DISC	1	1	1	1		
5	146	259045-7	WASHER	1	1	1	1		
5	146	927-408-000	WASHER	1	1	1	1		
5	189	957-223-092	CLUTCH DRUM	1	1	1	1		
5	190	962-300-009	NEEDLE SLEEVE	1	1	1	1		
5	191	038-223-100	SPACER WASHER	1	1	1	1		

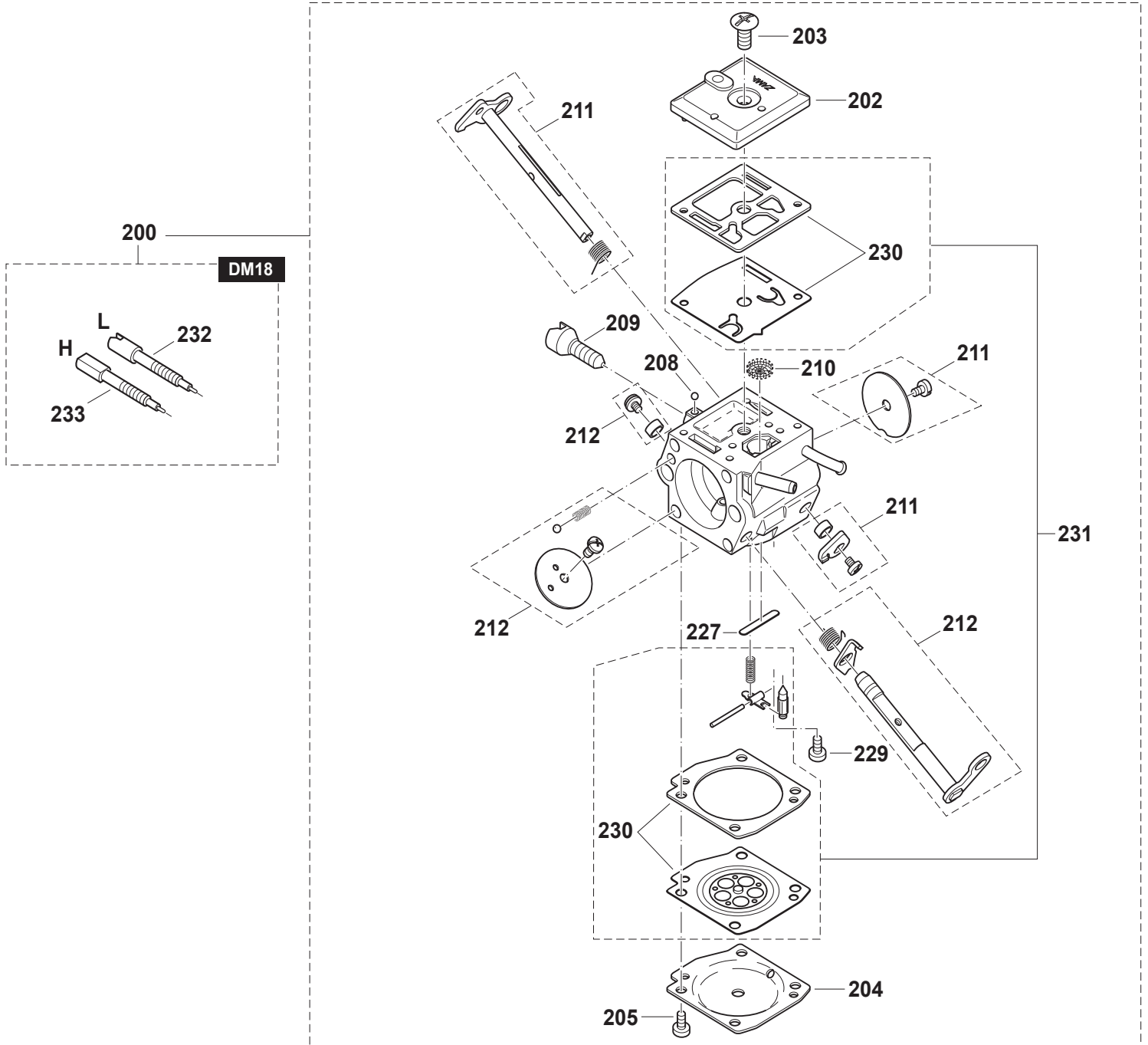


Products with multiple versions are listed in subsiding order with the newest version on top not indented.

Section	Fig. No.	Part No.	Description	EA7900PR	PS-7910	EA7901PR	PS-7910H	Tech Bulletin	Notes
6	147	038-213-221	HAND GUARD CPL.	1	1	1	1		
6	148	810449-4	LABEL		1		1		
6	148	980-115-897	CAUTION LABEL	1	1	1	1		
6	149	266960-8	H.L. SOCKET HEAD BOLT	1	1	1	1		
6	149	908-405-205	H.L. SOCKET HEAD BOLT	1	1	1	1		
6	150	038-213-160	BUSHING	1	1	1	1		
6	151	957-213-030	BRAKING MECHANISM	1	1	1	1		
6	152	927-304-000	SAFETY WASHER	1	1	1	1		
6	153	908-805-205	SCREW	1	1	1	1		
6	154	038-213-152	POT	1	1	1	1		
6	155	038-213-130	SPRING	1	1	1	1		
6	156	038-213-200	FOAM SPONGE	1	1	1	1		
6	157	038-213-010	BRAKE SPRING	1	1	1	1		
6	158	915-535-100	SCREW	1	1	1	1		
6	159	038-213-040	PLATE	1	1	1	1		
6	160	915-535-100	SCREW	1	1	1	1		
6	161	038-111-030	GUIDE PLATE	1	1	1	1		
6	162	915-535-100	SCREW	2	2	2	2		
6	163	038-213-103	SPROCKET GUARD CPL. RED	1	1	1	1		
6	164	038-213-036	SPROCKET GUARD RED	1	1	1	1		
6	164	038-213-035	SPROCKET GUARD RED	1	1	1	1		
6	165	980-116-004	LABEL	1	1	1	1		
6	166	038-213-190	CHIP GUIDE	1	1	1	1		
6	167	957-213-023	CHAIN TENSIONER CPL.	1	1	1	1		
6	168	038-213-080	BUSHING	1	1	1	1		
6	169	038-213-230	SPRING WASHER	1	1	1	1		
6	170	028-213-011	WASHER	1	1	1	1		
6	171	957-213-040	TENSIONING SCREW SET	1	1	1	1		
6	172	038-213-091	TENSIONING NUT	1	1	1	1		
6	173	038-213-070	TENSIONING SCREW BEARING	1	1	1	1		
6	174	915-535-100	SCREW	1	1	1	1		
6	175	024-213-240	CHAIN GUIDE	1	1	1	1		
6	176	252145-2	HEXAGONAL NUT	2	2	2	2		
6	176	923-208-004	HEXAGONAL NUT	2	2	2	2		
6	178	038-250-232	SPIKE BAR	1	1	1	1		

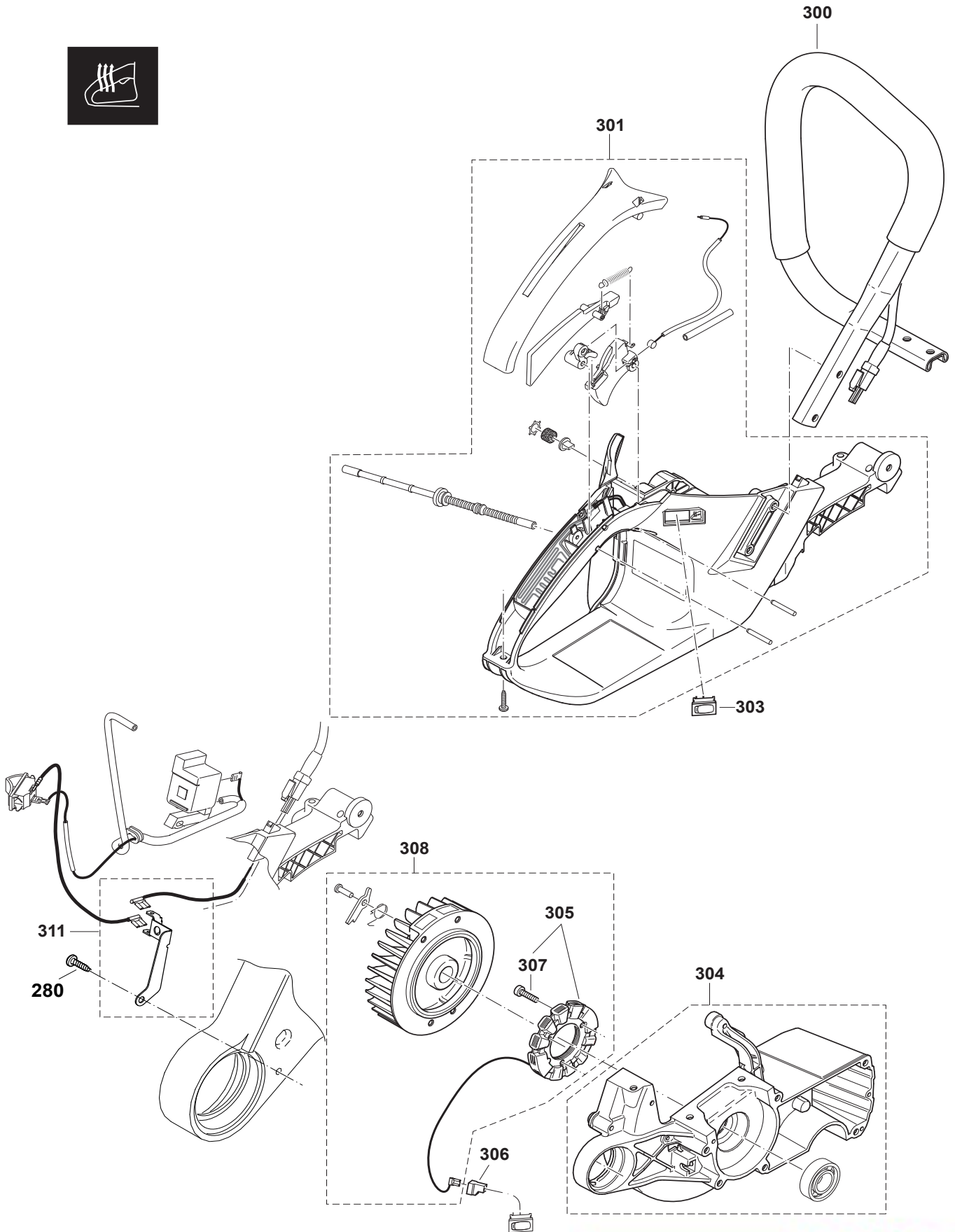
Products with multiple versions are listed in subsiding order with the newest version on top not indented.

Section	Fig. No.	Part No.	Description	EA7900PR	PS-7910	EA7901PR	PS-7910H	Tech Bulletin	Notes
6	179	908-005-125	SCREW	2	2	2	2		
6	180	920-405-000	HEXAGONAL NUT	2	2	2	2		
6	182	980-116-030	LABEL CHAIN TENSIONER	1	1	1	1		
6	185	924-104-300	WASHER	1	1	1	1		
6	186	935-940-100	CYLINDRICAL PIN	1	1	1	1		



Products with multiple versions are listed in subsiding order with the newest version on top not indented.

Section	Fig. No.	Part No.	Description	EA7900PR	PS-7910	EA7901PR	PS-7910H	Tech Bulletin	Notes
7	200	038-153-515	CARBURETOR WITH GUIDE	1	1	1	1		
7	202	038-153-030	PUMP COVER	1	1	1	1		
7	203	038-153-360	SCREW	1	1	1	1		
7	204	038-153-540	DIAPHRAGM COVER ASSY	1	1	1	1		
7	205	001-153-020	SCREW	4	4	4	4		
7	208	038-153-210	FRICTION BALL	1	1	1	1		
7	209	038-153-220	IDLE STOP SCREW	1	1	1	1		
7	210	036-153-040	SCREEN	1	1	1	1		
7	211	038-153-570	KIT THROTTLE SHAFT	1	1	1	1		
7	212	038-153-580	KIT CHOKE SHAFT	1	1	1	1		
7	227	038-153-350	PLUG-WELCH	1	1	1	1		
7	229	028-153-200	SCREW	1	1	1	1		
7	230	038-153-550	SET DIAPHRAGM / GASKETS (INCL. PUMP DIAPHRAGM RUBBER+MYLAR)	1	1	1	1		
7	231	038-153-560	REBUILD KIT	1	1	1	1		
7	232	038-153-232	IDLE ADJUSTMENT SCREW	1	1	1	1		
7	233	038-153-301	MAIN ADJUSTMENT SCREW	1	1	1	1		



**EA7900PR, PS-7910
EA7901PR, PS-7910H**

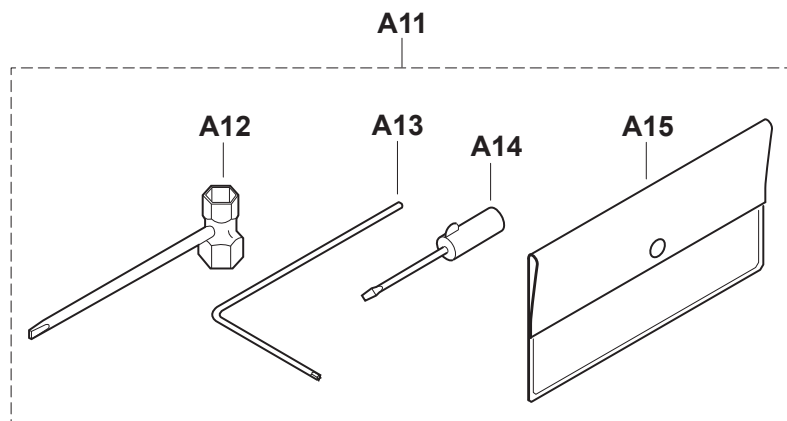
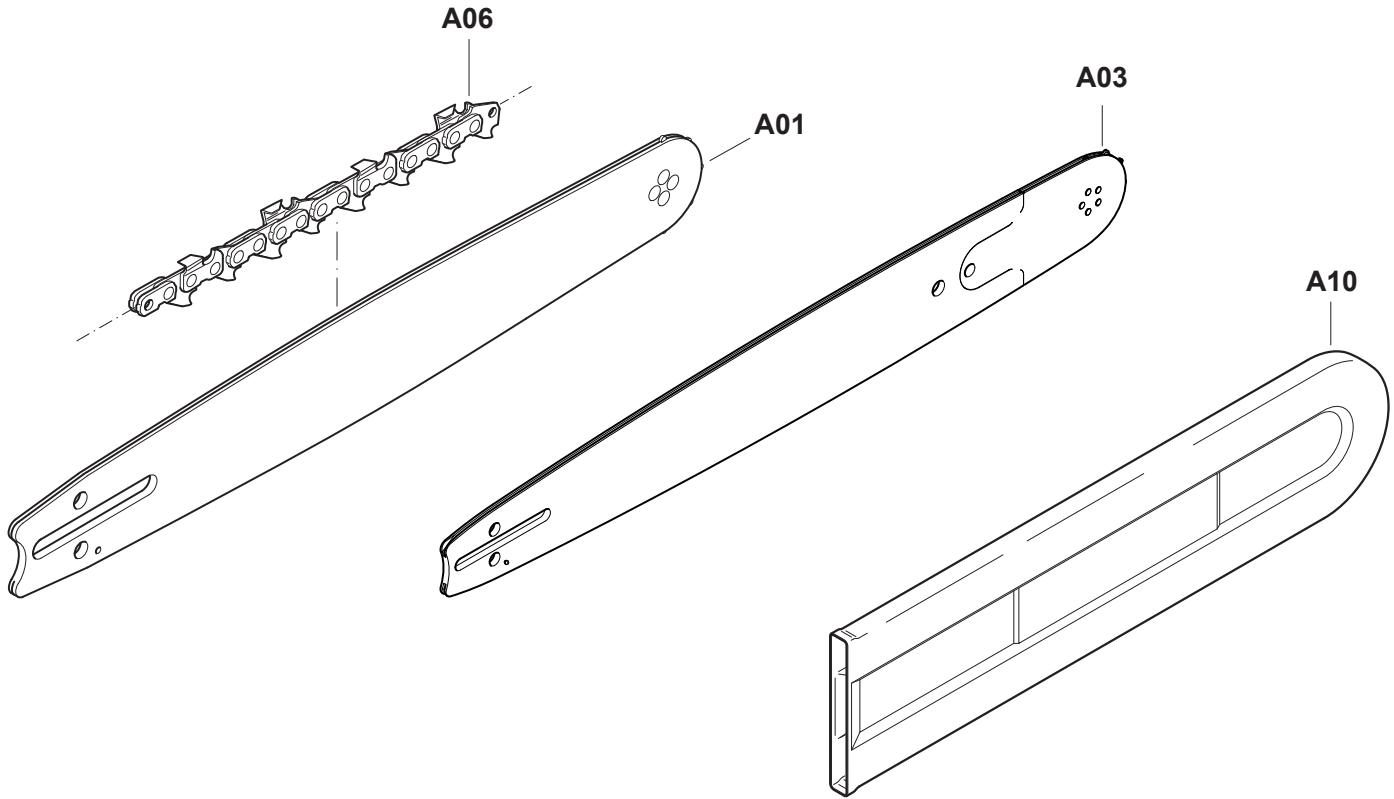


Heated Handle

Products with multiple versions are listed in subsiding order with the newest version on top not indented.

Section	Fig. No.	Part No.	Description	EA7900PR	PS-7910	EA7901PR	PS-7910H	Tech Bulletin	Notes
8	280	251480-5	SCREW	1	1	1	1		
8	280	915-535-100	SCREW	1	1	1	1		
8	300	038-310-031	TUBULAR HANDLE ASSY.			1	1		
8	301	038-114-090	TANK CPL. RED HEATING			1	1		
8	303	975-001-250	SWITCH			1	1		
8	304	038-111-280	CRANKC. MAG. SIDE RED			1	1		
8	304	038-111-180	CRANKC. MAG. SIDE RED			1	1		
8	305	957-148-020	GENERATOR COIL			1	1		SET INC. 307
8	306	038-146-030	INSULATING CAP			1	1		
8	307	913-340-205	SCREW			3	3		4X20
8	308	957-148-002	FLYWHEEL ASSY.			1	1		INC. 145,305
8	311	957-311-590	EARTH CABLE			1	1		SET





Products with multiple versions are listed in subsiding order with the newest version on top not indented.

Section	Fig. No.	Part No.	Description	EA7900PR	PS-7910	EA7901PR	PS-7910H	Tech Bulletin	Notes
9	A01	415-050-665	SPROCKET NOSE BAR	1	1	1	1		
9	A03	713204-A	SPROCKET NOSE BAR POWER MATCH						
9	A03	431-050-013	SPROCKET NOSE BAR POWER MATCH	1	1	1	1		
9	A03	713205-A	SPROCKET NOSE BAR POWER MATCH						
9	A03	431-060-013	SPROCKET NOSE BAR POWER MATCH	1	1	1	1		
9	A03	431-070-013	SPROCKET NOSE BAR POWER MATCH	1	1	1	1		
9	A03	431-080-013	SPROCKET NOSE BAR POWER MATCH	1	1	1	1		
9	A06	523-102-072A	SAW CHAIN 72V	1	1	1	1		
9	A06	713105-A	SAW CHAIN 72 LP	1	1	1	1		
9	A06	523-100-084	SAW CHAIN 72 LP	1	1	1	1		
9	A06	713106-A	SAW CHAIN 72 LP	1	1	1	1		
9	A06	523-100-092	SAW CHAIN 72 LP	1	1	1	1		
9	A06	713107-A	SAW CHAIN 72 LP	1	1	1	1		
9	A06	523-100-105	SAW CHAIN 72 LP	1	1	1	1		
9	A10	952-030-180	CHAIN PROTECTOR 32"	1	1	1	1		
9	A10	952-020-660	CHAIN PROTECTOR 24"	1	1	1	1		
9	A10	952-020-650	CHAIN PROTECTOR 20"	1	1	1	1		
9	A11	957-004-002	TOOL CPL.	1	1	1	1		
9	A12	941-719-133	UNIVERSAL WRENCH	1	1	1	1		
9	A13	940-827-000	ANGLED SCREW DRIVER	1	1	1	1		
9	A14	944-340-001	SCREWDRIVER	1	1	1	1		
9	A15	950-004-002	PLASTIK BAG	1	1	1	1		