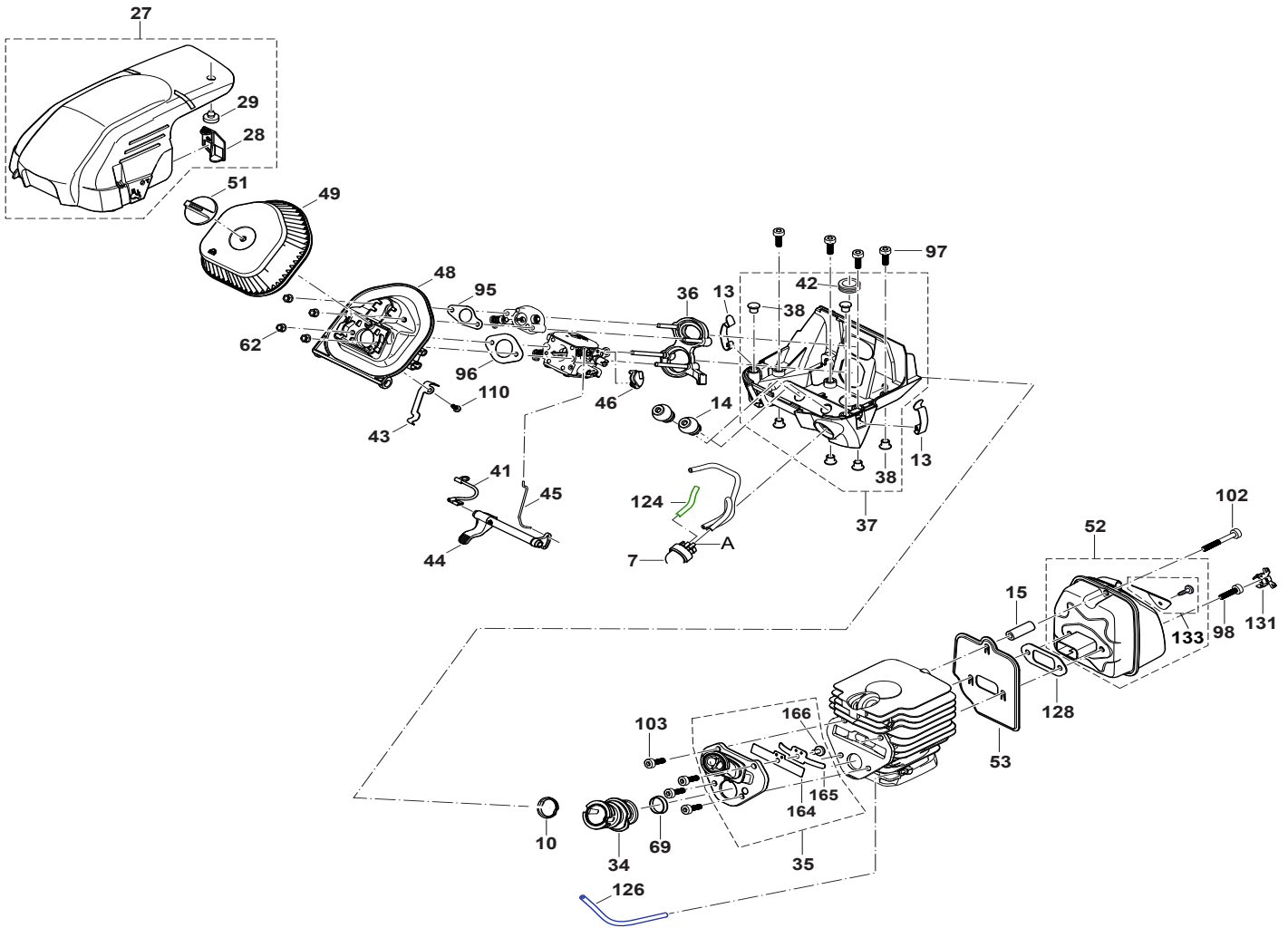


Products with multiple versions are listed in subsiding order with the newest version on top not indented.

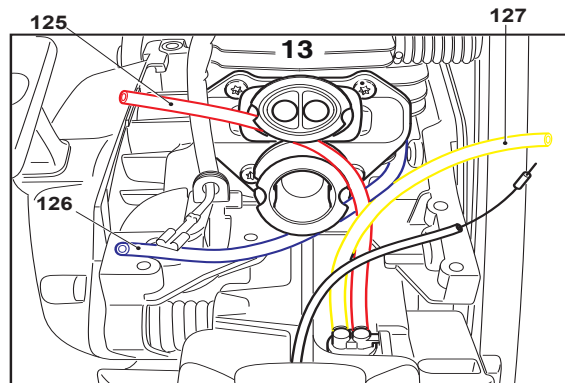
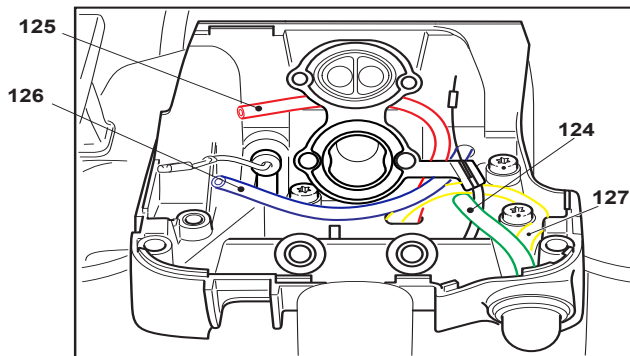
Section	Fig. No.	Part No.	Description	EA6100P53G	EA6100PR	PS-6100	PS-6100H	Tech Bulletin	Notes
1 4		010-114-020	REP. KIT, FILTER (5 OF EACH)	1	1	1	1		FOR 010114010 ONLY
1 4		010-114-010	SUCTION HEAD	1	1	1	1		
1 9		195762-4	AIR VALVE CPL.	1	1	1	1		
1 9	170-175-010		AIR VALVE CPL.	1	1	1	1		
1 11		038-117-020	CATCH LEVER	1	1	1	1		
1 12		038-117-030	ROCKER	1	1	1	1		
1 20		130-114-640	TANK CPL. BLUE	1					
1 20	130-114-600		TANK CPL. BLUE	1					
1 20		130-114-120	TANK CPL. RED		1	1			
1 21		130-114-050	FUEL LINE	1	1	1	1		
1 22		130-117-040	CONTROL CABLE	1	1	1	1		
1 23		130-117-010	THROTTLE LEVER	1	1	1	1		
1 24		130-117-050	GRIP OUTER SHELL	1	1	1	1		
1 25		130-117-060	TENSION SPRING	1	1	1	1		
1 26		130-148-650	COVER HANDLE HEATING	1	1	1	1		
1 58		130-310-100	TUBULAR HANDLE ASSY.	1	1	1	1		INC. 59, 60
1 59		920-405-000	HEXAGONAL NUT	1	1	1	1		M5
1 60		266605-8	H.L. SOCKET HEAD BOLT	1	1	1	1		M5X16
1 60	908-005-165		H.L. SOCKET HEAD BOLT	1	1	1	1		M5X16
1 61		130-310-850	COVER TUBULAR HANDLE, MAKITA		1				BLACK
1 61		130-310-650	COVER TUBULAR HANDLE, MAKITA	1					TEAL
1 61		130-310-050	COVER TUBULAR HANDLE, DOLMAR			1	1		WARM RED
1 65		168507-3	TANK CAP CPL.	2	2	2	2		
1 65	181-114-202		TANK CAP CPL.	2	2	2	2		
1 66		130-114-400	DAMPING SPRING CPL.	1	1	1	1		
1 67		181-114-301	DAMPING SPRING, CPL.	2	2	2	2		
1 88		195-114-060	FUEL NIPPLE	1	1	1	1		
1 100		908-006-145	SCREW	4	4	4	4		M6X14
1 108		266478-9	SCREW	1	1	1	1		5,5X16
1 108	913-455-164		SCREW	1	1	1	1		5,5X16
1 109		913-455-204	SCREW	4	4	4	4		5,5X20
1 118		935-930-280	CYLINDRICAL PIN	2	2	2	2		Ø3X28
1 123		213586-7	O RING	1	1	1	1		
1 123	963-211-020		O RING	1	1	1	1		11,5X2

Products with multiple versions are listed in subsiding order with the newest version on top not indented.

Section	Fig. No.	Part No.	Description	EA6100P53G	EA6100PR	PS-6100	PS-6100H	Tech Bulletin	Notes
1	125	965-452-660	TUBE	1	1	1	1		5,6/3MMX1M EPA CODE, RED L=160MM
1	127	422067-2	TUBE	1	1	1	1		2,5/5,5MM X1M L=148MM
1	127	965-452-090	TUBE	1	1	1	1		2,5/5,5MM X1M L=148MM
1	130	213080-9	PACKING RING	2	2	2	2		29,3X3,6
1	130	963-229-036	PACKING RING	2	2	2	2		29,3X3,6
1	168	130-310-350	WRAP AROUND HANDLE ASSY.	1	1	1	1		USA (INC. 59, 60)



FUEL AND PULSE LINE ROUTING

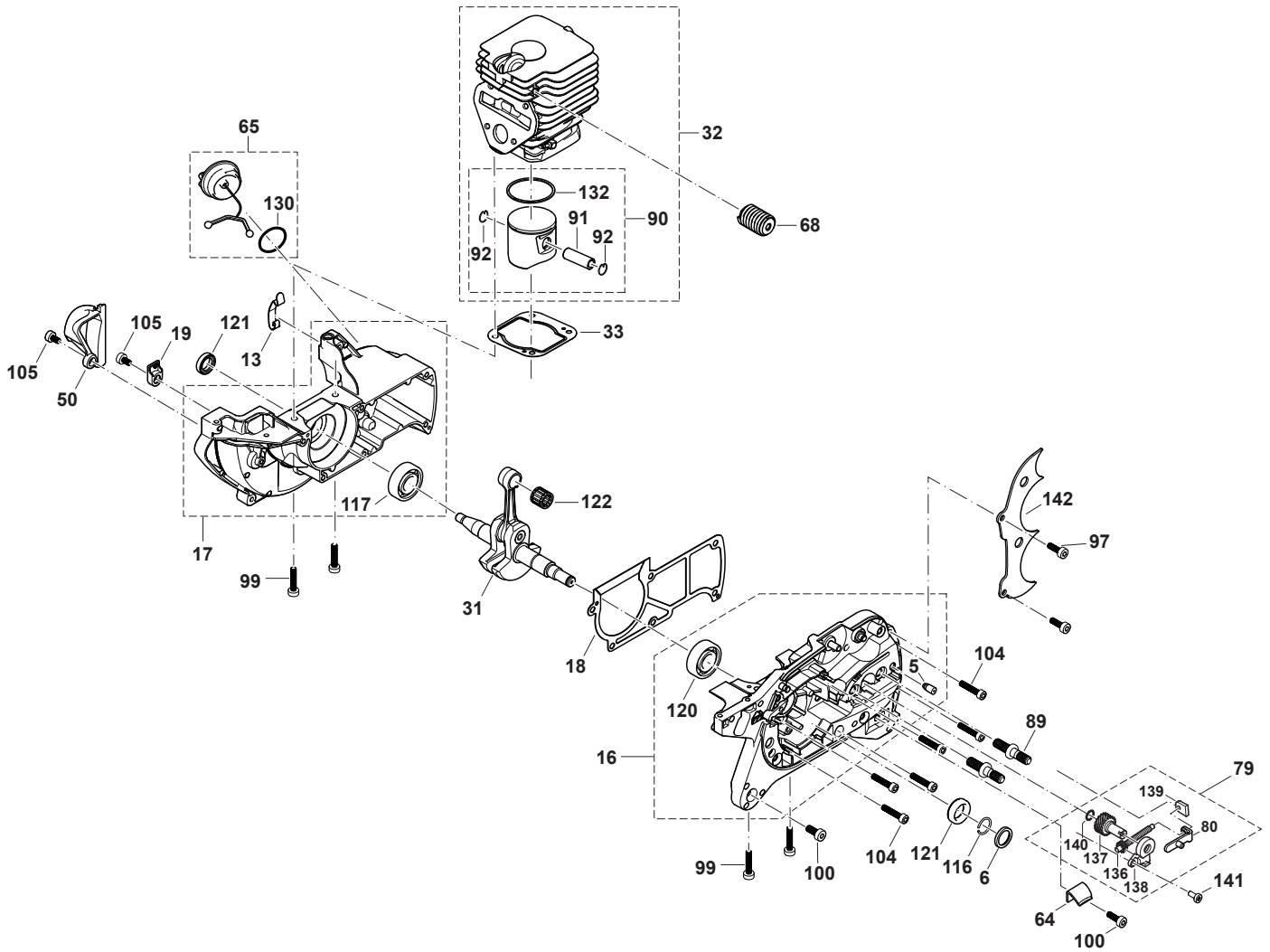


Products with multiple versions are listed in subsiding order with the newest version on top not indented.

Section	Fig. No.	Part No.	Description	EA6100P53G	EA6100PR	PS-6100	PS-6100H	Tech Bulletin	Notes
2	7	130-153-500	PRIMER	1	1	1	1		
2	10	130-131-020	INSERT FOR SUCTION HOSE	1	1	1	1		
2	13	130-118-070	STEELCLIP	3	3	3	3		
2	14	038-171-031	HOLDER	2	2	2	2		
2	14	038-171-030	HOLDER	2	2	2	2		
2	15	326675-0	CONNECTING LINK	1	1	1	1		
2	15	038-174-030	CONNECTING LINK	1	1	1	1		L=26,8MM
2	27	130-118-600	HOOD CPL.	1	1	1	1		
2	28	130-118-140	INSERT SUMMER / WINTER	1	1	1	1		
2	29	965-402-360	RUBBER BUFFER	1	1	1	1		
2	34	130-131-032	SUCTION HOSE	1	1	1	1		
2	34	130-131-031	SUCTION HOSE	1	1	1	1		
2	35	130-131-161	AIR HOSE CPL.	1	1	1	1		
2	35	130-131-160	AIR HOSE CPL.	1	1	1	1		
2	36	130-131-070	FLANGE RING	1	1	1	1		
2	37	130-131-995	CARBURETOR HOUSING BLUE ASSY.	1				2014-09	
2	37	130-131-600	CARBURETOR HOUSING BLUE ASSY.	1					
2	37	130-131-990	CARBURETOR HOUSING RED ASSY.		1	1		2014-09	
2	37	130-131-100	CARBURETOR HOUSING RED ASSY.		1	1			
2	38	001-118-100	BUSHING	6	6	6	6		
2	41	130-147-020	EARTH CABLE	1	1	1	1		
2	42	965-401-035	GROMMET	1	1	1	1		
2	43	130-155-010	CONTACT SPRING	1	1	1	1		
2	44	130-155-020	CHOKE LEVER	1	1	1	1		
2	45	130-155-040	CHOKE SHAFT	1	1	1	1		
2	46	175-155-082	BOWDEN CABLE FIXTURE	1	1	1	1		
2	48	130-171-010	INTAKE MANIFOLD	1	1	1	1		
2	49	130-173-010	AIR FILTER	1	1	1	1		
2	51	130-173-060	CLAMPING BOLT	1	1	1	1		
2	52	130-174-100	MUFFLER CPL.	1	1	1	1		
2	53	130-174-090	COOLING PLATE	1	1	1	1		
2	62	175-131-300	HEXAGONAL NUT WITH COLLAR	4	4	4	4		
2	69	130-131-050	INSERT	1	1	1	1		
2	95	315-155-010	GASKET AIR VALVE	1	1	1	1		
2	96	315-155-020	GASKET INTAKE MANIFOLD	1	1	1	1		

Products with multiple versions are listed in subsiding order with the newest version on top not indented.

Section	Fig. No.	Part No.	Description	EA6100P53G	EA6100PR	PS-6100	PS-6100H	Tech Bulletin	Notes
2	97	266605-8	H.L. SOCKET HEAD BOLT	7	7	7	7		M5X16
2	97	908-005-165	H.L. SOCKET HEAD BOLT	7	7	7	7		M5X16
2	98	266476-3	SCREW	2	2	2	2		M5X20
2	98	908-005-205	SCREW	2	2	2	2		M5X20
2	102	266606-6	H.L. SOCKET HEAD BOLT	1	1	1	1		M5X40
2	102	908-305-405	H.L. SOCKET HEAD BOLT	1	1	1	1		M5X40
2	103	908-405-145	SCREW	4	4	4	4		M5X14
2	110	915-735-100	SCREW	1	1	1	1		3,5X10
2	124	422067-2	TUBE	1	1	1	1		2,5/5,5MM X1M L=60MM
2	124	965-452-090	TUBE	1	1	1	1		2,5/5,5MM X1M L=60MM
2	125	965-452-660	TUBE	1	1	1	1		5,6/3MMX1M EPA CODE, RED L=160MM
2	126	422067-2	TUBE	1	1	1	1		2,5/5,5MM X1M L=148MM
2	126	965-452-090	TUBE	1	1	1	1		2,5/5,5MM X1M L=148MM
2	127	422067-2	TUBE	1	1	1	1		2,5/5,5MM X1M L=148MM
2	127	965-452-090	TUBE	1	1	1	1		2,5/5,5MM X1M L=148MM
2	128	395-174-120	GASKET	1	1	1	1		
2	131	038-174-451	PLUG FOR MUFFLER TUBE	2	2	2	2		
2	133	130-174-150	SPARK ARRESTER SCREEN CPL.	1	1	1	1		
2	164	315-179-010	VALVE STOPPER	1	1	1	1		
2	165	315-179-021	REED VALVE	1	1	1	1		
2	166	908-004-085	SCREW	1	1	1	1		



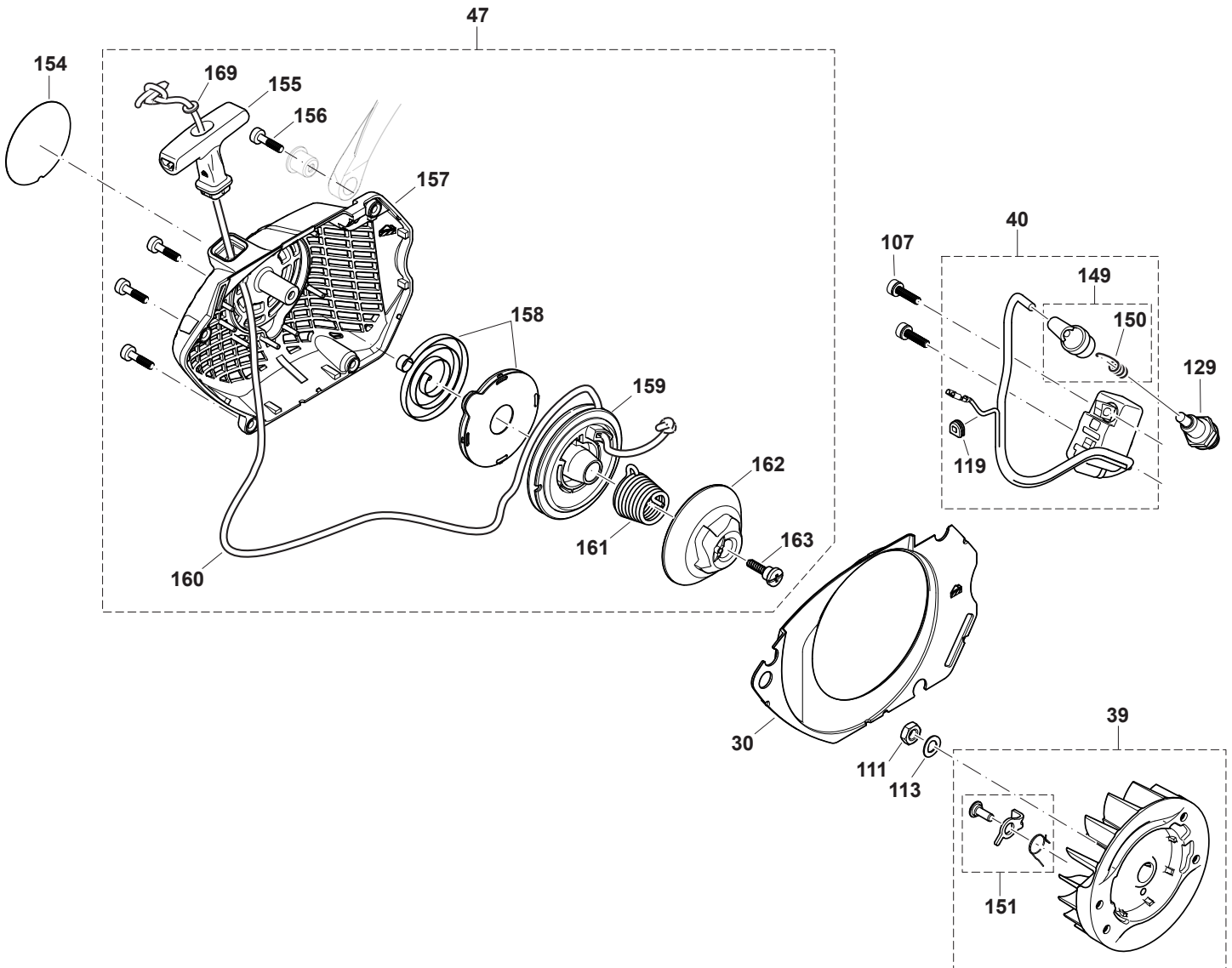
Products with multiple versions are listed in subsiding order with the newest version on top not indented.

Section	Fig. No.	Part No.	Description	EA6100P53G	EA6100PR	PS-6100	PS-6100H	Tech Bulletin	Notes
3	5	168504-9	VENT VALVE	1	1	1	1		
3	5	010-245-030	VENT VALVE	1	1	1	1		
3	6	394-245-010	STOP RING	1	1	1	1		
3	13	130-118-070	STEELCLIP	3	3	3	3		
3	16	130-111-610	CRANKCASE CL. SIDE ASSY., BLUE	1					
3	16	130-111-116	CRANKCASE CL. SIDE ASSY., RED		1	1	1		
3	16	130-111-110	CRANKCASE CL. SIDE ASSY., RED		1	1	1		
3	17	130-111-620	CRANKCASE MAGNETO-SIDE ASSY. BLUE	1					
3	17	130-111-120	CRANKCASE MAGNETO-SIDE ASSY. RED		1	1	1		
3	18	130-111-070	CRANK CASE GASKET	1	1	1	1		
3	19	130-111-090	CLAMP	1	1	1	1		
3	31	130-120-102	CRANKSHAFT COMPLETE	1	1	1	1		
3	32	130-131-150	CYLINDER / PISTON CPL.	1	1	1	1		Ø 47MM
3	33	315-131-020	GASKET	1	1	1	1		
3	50	130-173-080	SUCTION PIPE	1	1	1	1		
3	64	181-111-050	CHAIN CATCH	1	1	1	1		
3	65	168507-3	TANK CAP CPL.	2	2	2	2		
3	65	181-114-202	TANK CAP CPL.	2	2	2	2		
3	68	181-114-401	DAMPING SPRING, CPL.	1	1	1	1		
3	79	130-213-160	CHAIN TENSIONER CPL.	1	1	1	1		
3	79	130-213-150	CHAIN TENSIONER CPL.	1	1	1	1		
3	80	130-213-250	TENSION SLIDE	1	1	1	1		
3	80	130-213-240	TENSION SLIDE	1	1	1	1		
3	89	266978-9	BOLT	2	2	2	2		
3	89	195-232-010	BOLT	2	2	2	2		M8
3	90	315-132-200	PISTON CPL.	1	1	1	1		D47
3	90	315-132-101	PISTON CPL.	1	1	1	1		D47
3	91	315-132-050	PISTON PIN	1	1	1	1		
3	92	315-132-040	CIRCLIP	2	2	2	2		11
3	97	266605-8	H.L. SOCKET HEAD BOLT	7	7	7	7		M5X16
3	97	908-005-165	H.L. SOCKET HEAD BOLT	7	7	7	7		M5X16
3	99	908-005-255	PAN HEAD ALLEN SCREW	4	4	4	4		M5X25
3	100	908-006-145	SCREW	4	4	4	4		M6X14
3	104	908-405-255	SCREW	6	6	6	6		M5X25
3	105	908-005-095	SCREW	2	2	2	2		M5X9



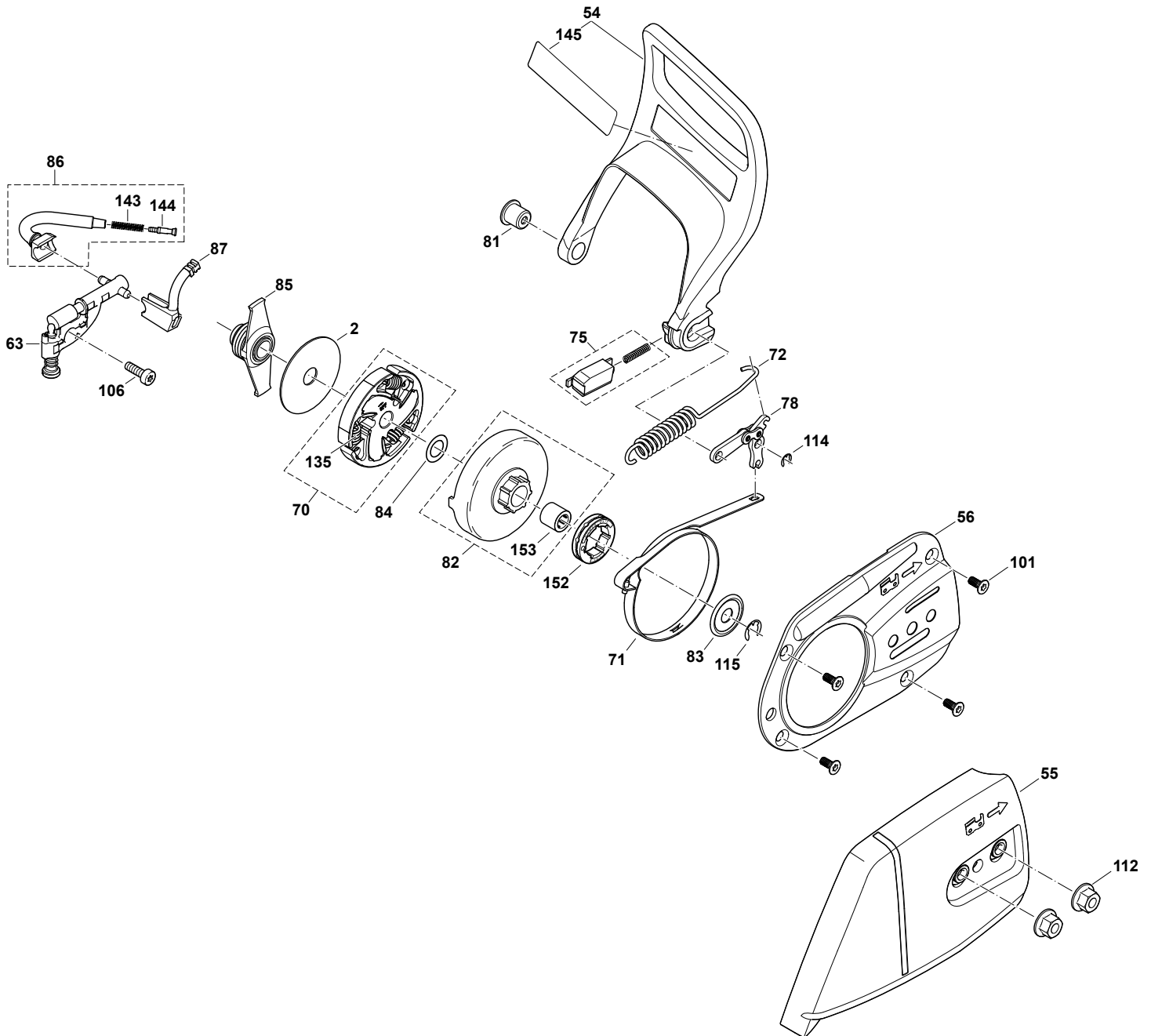
Products with multiple versions are listed in subsiding order with the newest version on top not indented.

Section	Fig. No.	Part No.	Description	EA6100P53G	EA6100PR	PS-6100	PS-6100H	Tech Bulletin	Notes
3	116	930-916-160	SPRING RING	1	1	1	1		
3	120	960-102-152	BALL BEARING (USE GLUE)	1	1	1	1		6202
3	120	960-102-152	BALL BEARING (USE GLUE)	1	1	1	1		6202
3	121	962-900-052	RADIAL RING	2	2	2	2		Ø15/24X7
3	122	962-210-111	NEEDLE CAGE	1	1	1	1		
3	130	213080-9	PACKING RING	2	2	2	2		29,3X3,6
3	130	963-229-036	PACKING RING	2	2	2	2		29,3X3,6
3	132	325-132-050	PISTON RING	1	1	1	1		D47
3	132	315-132-020	PISTON RING	1	1	1	1		D47
3	136	227743-1	TENSIONING SCREW	1	1	1	1		
3	136	181-213-230	TENSIONING SCREW	1	1	1	1		
3	137	181-213-250	ADJUSTING SCREW	1	1	1	1		
3	138	181-213-270	TRANSMISSION COVER	1	1	1	1		
3	139	181-213-260	TENSIONING SCREW BEARING	1	1	1	1		
3	140	963-207-020	PACKING RING	1	1	1	1		7X2
3	141	908-705-125	SCREW	1	1	1	1		M5X12
3	142	130-250-020	SPIKE BAR	1	1	1	1		



Products with multiple versions are listed in subsiding order with the newest version on top not indented.

Section	Fig. No.	Part No.	Description	EA6100P53G	EA6100PR	PS-6100	PS-6100H	Tech Bulletin	Notes
4	30	130-118-040	AIR GUIDE PLATE	1	1	1	1		
4	39	130-141-101	FLYWHEEL CPL.	1	1	1	1		
4	39	130-141-100	FLYWHEEL CPL.	1	1	1	1		
4	40	130-143-100	IGNITION COIL COMPLETE	1	1	1	1		
4	47	130-160-602	STARTER ASSY., BLUE	1					
4	47	130-160-601	STARTER ASSY., BLUE	1					
4	47	130-160-600	STARTER ASSY., BLUE	1					
4	47	130-160-102	STARTER ASSY., RED		1	1	1		
4	47	130-160-101	STARTER ASSY., RED		1	1	1		
4	47	130-160-100	STARTER ASSY., RED		1	1	1		
4	107	908-805-205	SCREW	2	2	2	2		M5X20
4	111	264022-6	HEXAGONAL NUT	1	1	1	1		
4	111	920-308-024	HEXAGONAL NUT	1	1	1	1		M8X1
4	113	267822-3	SPRING WASHER	1	1	1	1		
4	113	926-208-001	SPRING WASHER	1	1	1	1		B8
4	119	965-401-016	RUBBER BUSH	1	1	1	1		
4	129	965-603-021	SPARK PLUG	1	1	1	1		
4	149	957-604-260	SPARK PLUG CAP CPL.	1	1	1	1		
4	150	965-604-180	SPRING	1	1	1	1		
4	151	130-141-150	STARTER RATCHET CPL.	2	2	2	2		
4	154	980-115-856	LABEL	1					MAKITA
4	154	980-115-765	LABEL		1	1			DOLMAR
4	155	181-164-010	STARTER KNOB	1	1	1	1		
4	156	266476-3	SCREW	4	4	4	4		M5X20
4	156	908-005-205	SCREW	4	4	4	4		M5X20
4	157	130-160-630	STARTER ASSY. BLUE	1					
4	157	130-160-130	STARTER ASSY., RED		1	1	1		
4	158	181-163-050	REWIND SPRING IN HOUSING	1	1	1	1		
4	159	315-162-020	CABLE DRUM	1	1	1	1		
4	160	181-164-020	STARTER ROPE	1	1	1	1		Ø 3,5 X 1000 MM
4	161	181-163-080	SPRING EASY-START	1	1	1	1		
4	162	315-163-090	STARTER WHEEL	1	1	1	1		
4	163	181-163-095	SCREW	1	1	1	1		

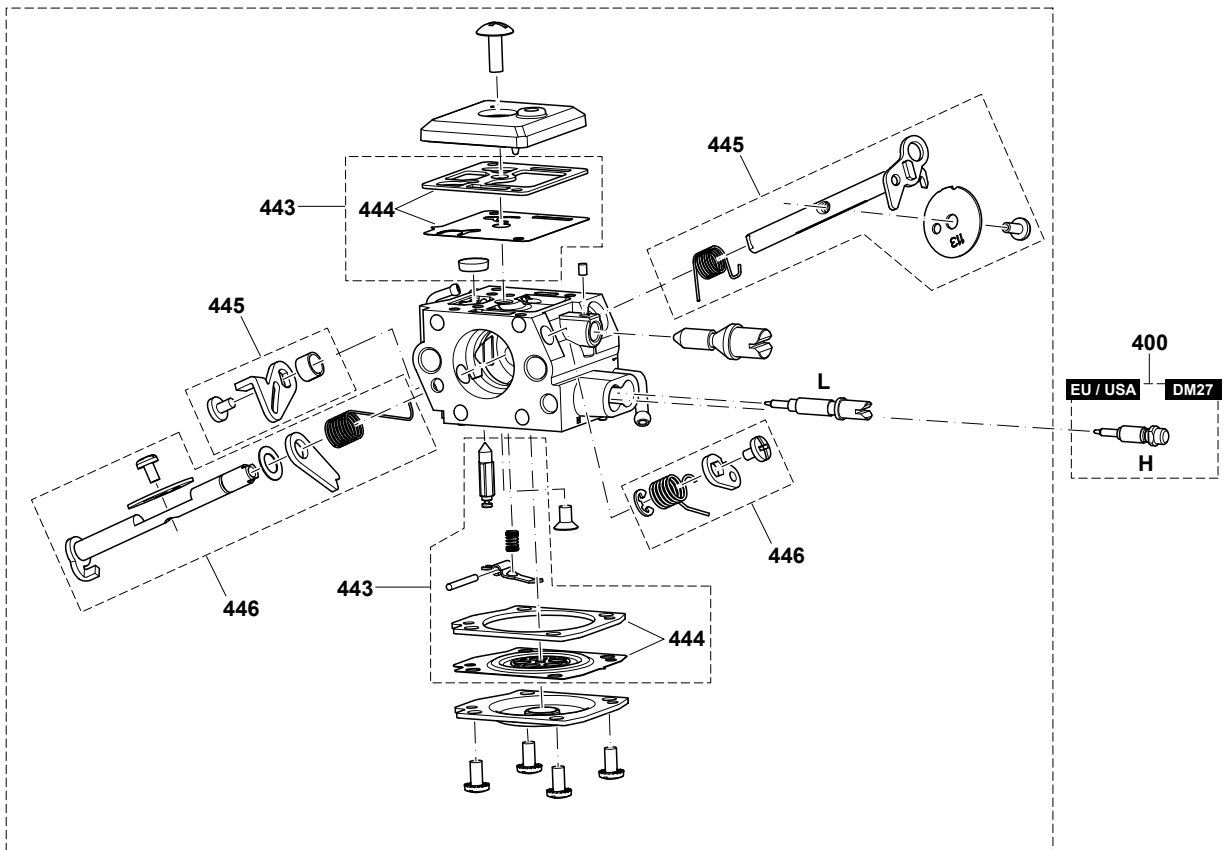
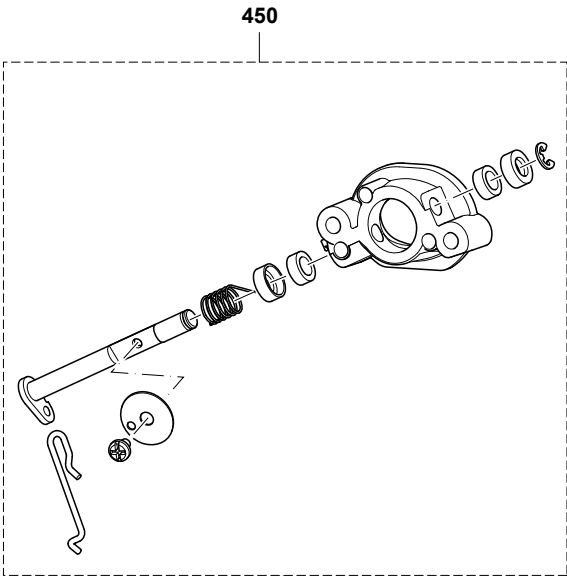


Products with multiple versions are listed in subsiding order with the newest version on top not indented.

Section	Fig. No.	Part No.	Description	EA6100P53G	EA6100PR	PS-6100	PS-6100H	Tech Bulletin	Notes
5	2	001-182-042	DISC	1	1	1	1		44,5X1X12
5	54	130-213-220	HAND GUARD CPL.	1	1	1	1		USA
5	55	130-213-601	SPROCKET GUARD CPL. BLUE	1					
5	55	130-213-600	SPROCKET GUARD CPL. BLUE	1					
5	55	130-213-101	SPROCKET GUARD CPL. RED		1	1	1		
5	55	130-213-100	SPROCKET GUARD CPL. RED		1	1	1		
5	56	130-213-190	CHAIN BRAKE COVER	1	1	1	1		
5	63	161346-0	OIL PUMP CPL.	1	1	1	1		
5	63	179-245-202	OIL PUMP CPL.	1	1	1	1		
5	63	179-245-201	OIL PUMP CPL.	1	1	1	1		
5	70	181-180-300	CLUTCH ASSY.	1	1	1	1		
5	70	175-180-101	CLUTCH ASSY.	1	1	1	1		
5	71	346029-5	BRAKE SPRING	1	1	1	1		
5	71	181-213-011	BRAKE SPRING	1	1	1	1		
5	72	181-213-023	TENSION SPRING	1	1	1	1		
5	75	181-213-170	HANDGUARD GUIDE, CPL.	1	1	1	1		
5	78	163500-2	BRAKING MECHANISM	1	1	1	1		
5	78	181-213-100	BRAKING MECHANISM	1	1	1	1		
5	81	181-213-320	BUSHING	1	1	1	1		
5	82	181-223-200	CLUTCH DRUM CPL.	1	1	1	1		
5	82	181-223-062	CLUTCH DRUM CPL.	1	1	1	1		
5	83	267820-7	DISC	1	1	1	1		
5	83	181-224-081	DISC	1	1	1	1		
5	84	181-224-090	SHIM	1	1	1	1		10X18X0,5
5	85	450956-1	PUMP DRIVE	1	1	1	1		
5	85	181-245-090	PUMP DRIVE	1	1	1	1		
5	86	181-245-100	SUCTION LINE	1	1	1	1		
5	87	424178-9	PRESSURE LINE	1	1	1	1		
5	87	181-245-120	PRESSURE LINE	1	1	1	1		
5	101	908-105-124	SCREW	4	4	4	4		M5X12
5	106	908-705-125	SCREW	1	1	1	1		M5X12
5	112	252145-2	HAXAGONAL NUT	2	2	2	2		M8
5	112	923-208-004	HAXAGONAL NUT	2	2	2	2		M8

Products with multiple versions are listed in subsiding order with the newest version on top not indented.

Section	Fig. No.	Part No.	Description	EA6100P53G	EA6100PR	PS-6100	PS-6100H	Tech Bulletin	Notes
5	114	961011-9	SAFETY WASHER	1	1	1	1		
5	114	257934-0	SAFETY WASHER	1	1	1	1		
5	114	927-304-000	SAFETY WASHER	1	1	1	1		
5	115	259045-7	WASHER	1	1	1	1		
5	115	927-408-000	WASHER	1	1	1	1		D=8X1,3
5	135	181-184-020	SPRING	3	3	3	3		
5	135	024-184-021	SPRING	3	3	3	3		
5	143	231975-4	SPRING	1	1	1	1		
5	143	021-245-060	SPRING	1	1	1	1		
5	144	001-245-020	HOSE STEM	1	1	1	1		
5	145	810449-4	LABEL	1	1	1	1		
5	145	185-114-237	LABEL	1	1	1	1		
5	152	181-224-040	RIM SPROCKET	1	1	1	1		325", Z=7, SM
5	152	026-224-010	RIM SPROCKET	1	1	1	1		3/8", Z=7, SM
5	153	962-300-009	NEEDLE SLEEVE	1	1	1	1		10/14X12



# EA6100P53G EA6100PR, PS-6100

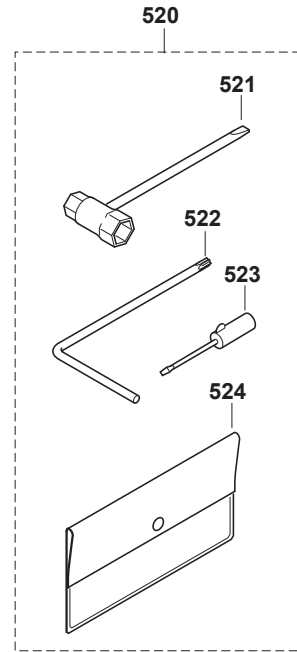
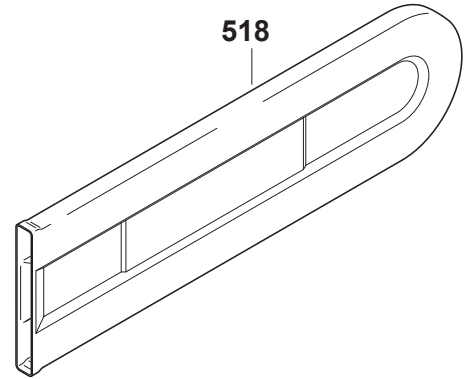
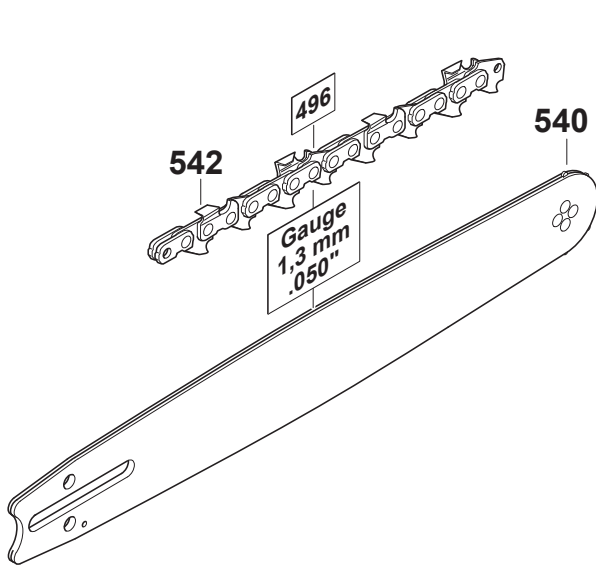
# 6

## Carburetor

Products with multiple versions are listed in subsiding order with the newest version on top not indented.

Section	Fig. No.	Part No.	Description	EA6100P53G	EA6100PR	PS-6100	PS-6100H	Tech Bulletin	Notes
6	400	130-153-101	CARBURETOR	1	1	1	1		
6	400	130-153-100	CARBURETOR	1		1	1		DM27, DD - EU, USA (REGULATED MARKET)
6	443	130-153-130	REPAIR KIT	1	1	1	1		
6	444	315-153-691	GASKET & DIAPHRAGM KIT	1	1	1	1		
6	444	315-153-690	GASKET & DIAPHRAGM KIT	1	1	1	1		
6	445	130-153-150	THROTTLE KIT	1	1	1	1		
6	446	130-153-160	CHOKE KIT	1	1	1	1		
6	450	130-153-700	AIR FLAP CPL.	1	1	1	1		





# EA6100P53G EA6100PR, PS-6100



Bar, Chain

Products with multiple versions are listed in subsiding order with the newest version on top not indented.

Section	Fig. No.	Part No.	Description	EA6100P53G	EA6100PR	PS-6100	PS-6100H	Tech Bulletin	Notes
8	500	445-045-631	SPROCKET NOSE BAR	1	1	1	1		.325" .058" 45CM-18"
8	518	419560-5	CHAIN PROTECTOR 18"		1	1	1		
8	518	952-020-650	CHAIN PROTECTOR 20"	1	1	1	1		50 CM MAKITA
8	518	952-020-660	CHAIN PROTECTOR 24"		1				60 CM MAKITA
8	520	957-004-002	TOOL CPL.	1	1	1	1		
8	521	941-719-133	UNIVERSAL WRENCH	1	1	1	1		SW 13/19 MM
8	521	941-719-131	UNIVERSAL WRENCH	1	1	1	1		SW 13/19 MM
8	522	782025-3	ANGLED SCREW DRIVER	1	1	1	1		T27
8	522	940-827-000	ANGLED SCREW DRIVER	1	1	1	1		T27
8	523	944-340-001	SCREWDRIVER	1	1	1	1		
8	524	950-004-002	PLASTIC BAG	1	1	1	1		
8	530	415-040-641	SPROCKET NOSE BAR			1	1		.325" .050" 40CM-16"
8	530	415-045-641	SPROCKET NOSE BAR			1	1		.325" .050" 45CM-18"
8	530	445-045-641	SPROCKET NOSE BAR	1	1				.325" .050" 45CM-18"
8	532	513-486-066	SAW CHAIN	1	1	1	1		.325" .050" 40CM-16"
8	532	513-486-672	SAW CHAIN	1	1	1	1		.325" .050" 45CM-18"
8	540	443-045-661	SPROCKET NOSE BAR	1	1				3/8" .050" 45CM-18"
8	540	443-053-661	SPROCKET NOSE BAR	1	1				3/8" .050" 53CM-21"
8	542	523-102-064	SAW CHAIN U.S.A.	1	1	1	1		3/8" .050" 45CM-18"
8	542	523-102-072A	SAW CHAIN U.S.A.	1	1	1	1		3/8" .050" 50CM-20"

