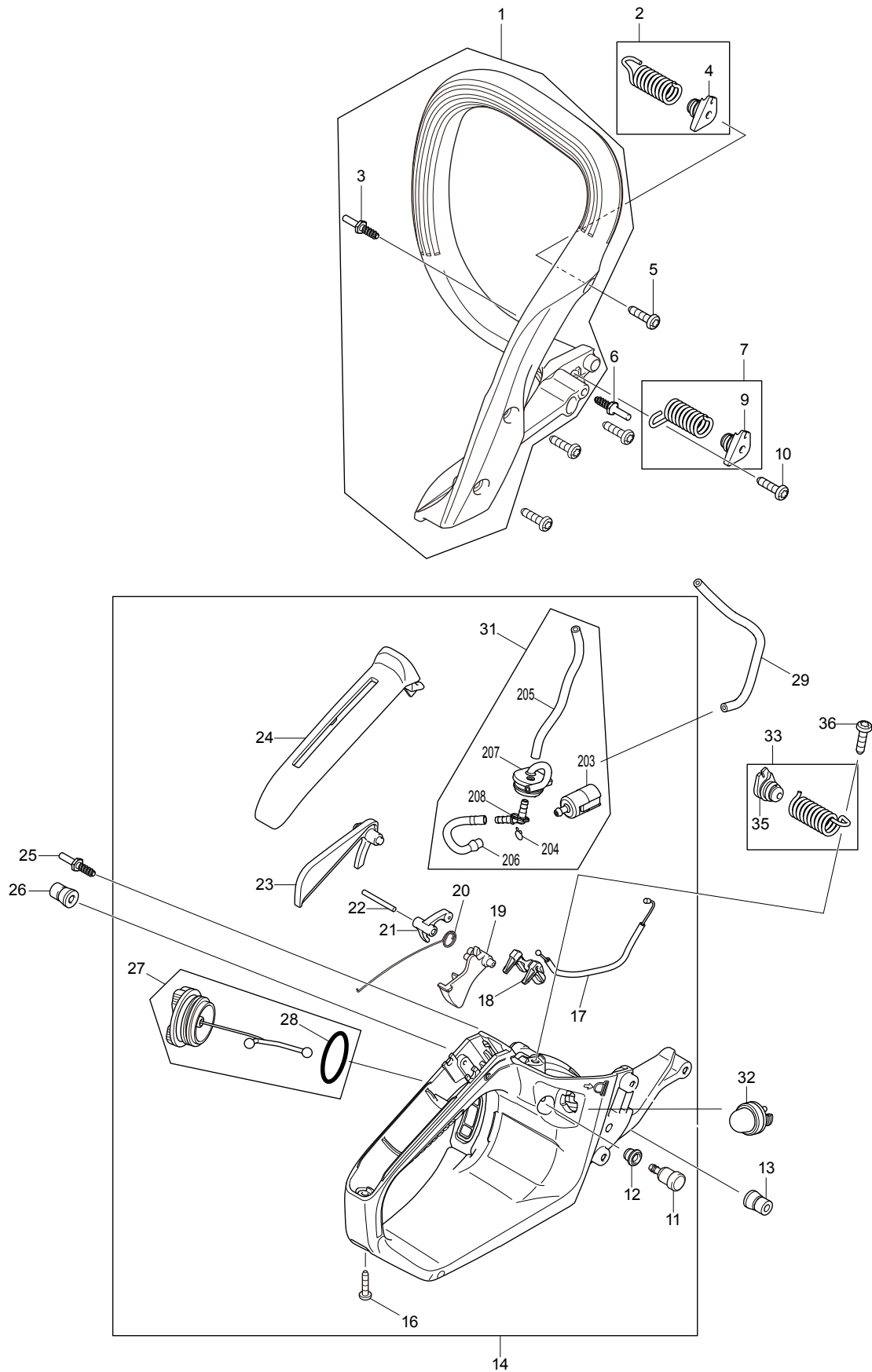




**EA3601FRDB**

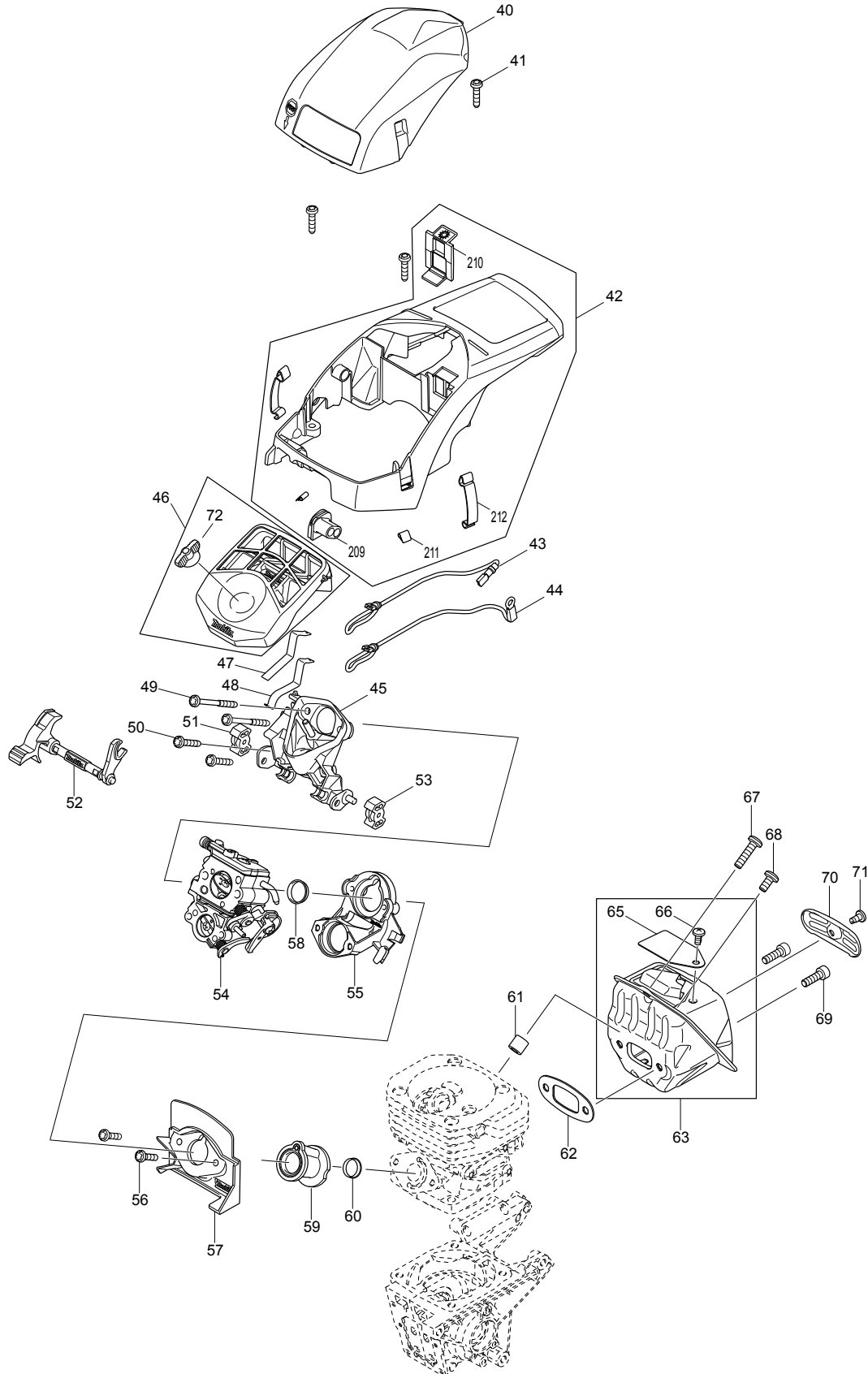


Products with multiple versions are listed in subsiding order with the newest version on top not indented.

Section	Fig. No.	Part No.	Description	EA3601FRDB	Tech Bulletin	Notes
1	1	142225-1	FRONT HANDLE COMPLETE	1		INC. 3
1	2	142226-9	DAMPER SPRING R COMPLETE	1		INC. 4
1	3	326339-6	STOPPER PIN	1		
1	4	454506-4	SPRING HOLDER	1		
1	5	266856-3	H.L. TAPPING SCREW 5X20	4		
1	6	326339-6	STOPPER PIN	1		
1	7	142227-7	DAMPER SPRING F COMPLETE	1		INC. 9
1	9	454506-4	SPRING HOLDER	1		
1	10	266856-3	H.L. TAPPING SCREW 5X20	1		
1	11	168396-6	BREATHER	1		
1	12	424576-7	GROMMET	1		
1	13	424577-5	SIDE STOPPER	1		
1	14	123346-7	RIGHT HANDLE ASSEMBLY	1		INC. 11,12, 16-24, 27, 31
1	16	266858-9	H.L. TAPPING SCREW 4X18	1		
1	17	168812-8	THROTTLE CABLE	1		
1	18	454501-4	CABLE BRACKET	1		
1	19	454499-5	THROTTLE LEVER	1		
1	20	233606-1	RETURN SPRING	1		
1	21	454500-6	CABLE PULL LEVER	1		
1	22	268187-6	PIN 3	1		
1	23	454502-2	LOCKOUT LEVER	1		
1	24	454503-0	GRIP COVER	1		
1	25	326339-6	STOPPER PIN	1		
1	26	424577-5	SIDE STOPPER	1		
1	27	168507-3	TANK CAP COMPLETE	1		INC. 28
1	28	213080-9	O RING 29.5	1		
1	29	422116-5	JOINT PIPE	1		
1	31	126347-5	FUEL PIPE ASSEMBLY	1		INC. 203-208
1	32	168398-2	PRIMER PUMP	1		
1	33	142226-9	DAMPER SPRING R COMPLETE	1		INC. 35
1	35	454506-4	SPRING HOLDER	1		
1	36	266856-3	H.L. TAPPING SCREW 5X20	1		
1	203	163518-3	GASOLINE FILTER	1		
1	204	282020-8	HOSE CLAMP	1		
1	205	422113-1	OUTER FUEL PIPE	1		

Products with multiple versions are listed in subsiding order with the newest version on top not indented.

Section	Fig. No.	Part No.	Description	EA3601FRDB	Tech Bulletin	Notes
1	206	422114-9	INNER FUEL PIPE	1		
1	207	424575-9	GROMMET	1		
1	208	454508-0	HOSE JOINT	1		

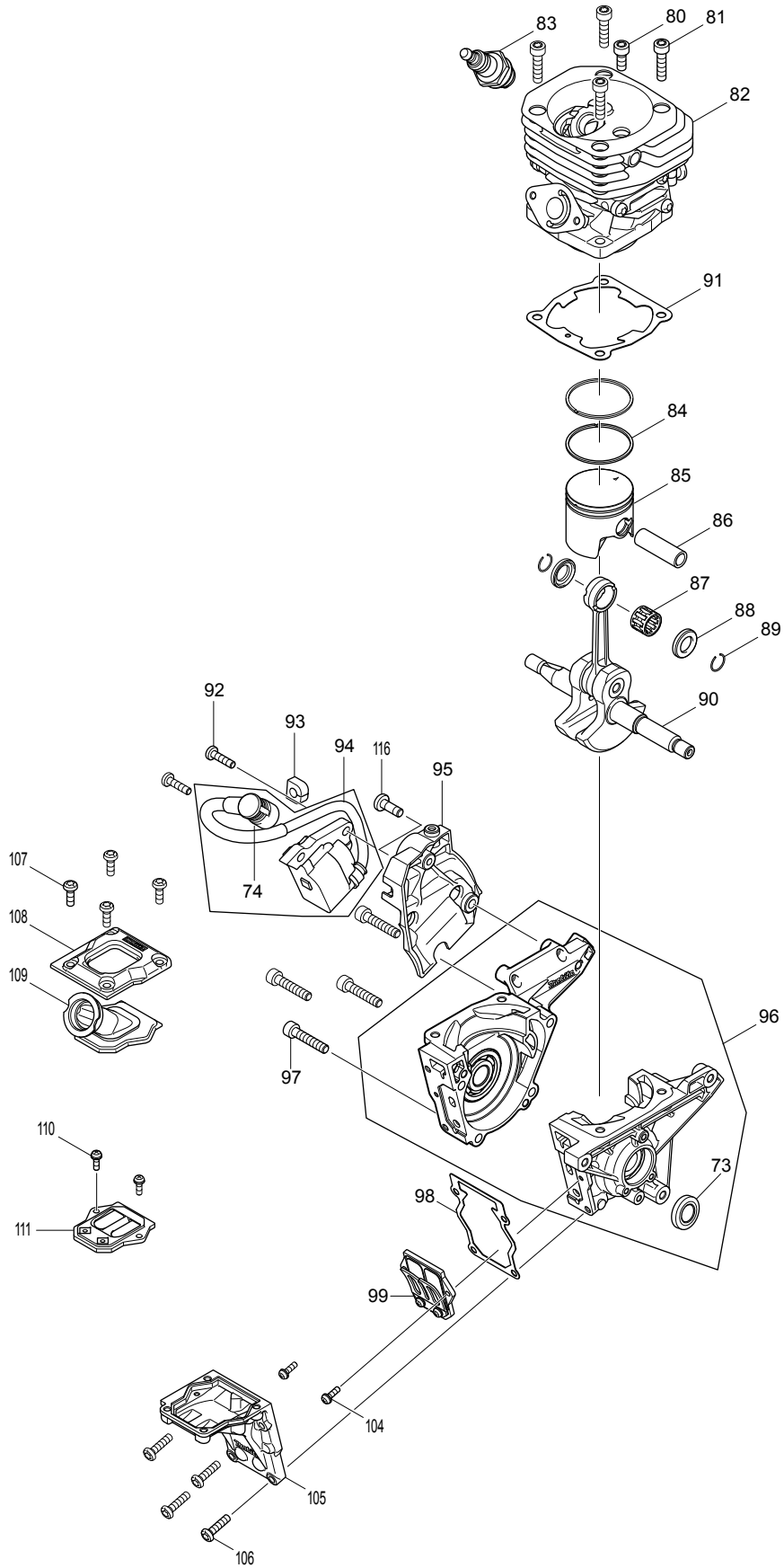


Products with multiple versions are listed in subsiding order with the newest version on top not indented.

Section	Fig. No.	Part No.	Description	EA3601FRDB	Tech Bulletin	Notes
2	40	142240-5	CLEANER COVER COMPLETE	1		
2		263002-9	RUBBER PIN 4	1		(Included with Fig No. 40)
2	41	266858-9	H.L. TAPPING SCREW 4X18	3		
2	42	126367-9	CYLINDER COVER ASSEMBLY	1		
2	43	632A97-3	SWITCH CORD	1		
2	44	632A98-1	EARTH CORD	1		
2	45	454532-3	MANIFOLD	1		
2	46	126370-0	CLEANER ASSEMBLY	1		Inc 72
2	47	346704-3	EARTH PLATE	1		
2	48	346705-1	SWITCH SPRING	1		
2	49	266860-2	H.L. TAPPING SCREW 4X15	2		
2	50	266861-0	H.L. TAPPING SCREW 4X22	2		
2	51	424582-2	DAMPER	1		
2	52	454533-1	SWITCH LEVER	1		
2	53	424582-2	DAMPER	1		
2	54	168819-4	CARBURETOR ASSEMBLY	1		INC. 215-239
2	55	454531-5	BRACKET	1		
2	56	266848-2	H.L.HEAD BIND BOLT M4X16	2		
2	57	454488-0	BUFFLE PLATE	1		
2	58	332074-6	INNER RING	1		
2	59	424571-7	INLET PIPE	1		
2	60	332075-4	INNER RING	1		
2	61	326304-5	SPACER	1		
2	62	413164-5	MUFFLER GASKET	1		
2	63	126342-5	MUFFLER ASSEMBLY	1		INC. 65,66
2	65	352023-7	SCREEN	1		
2	66	266796-5	TAPPING SCREW 4X8	1		
2	67	266851-3	H.L.BIND BOLT M5X20	1		
2	68	266850-5	H.L.BIND BOLT M5X10	1		
2	69	266849-0	H.L.SOCKET HEAD BOLT M5X16	2		
2	70	346691-6	DUST COVER	1		
2	71	266936-5	H.L.BIND BOLT M4X8	1		
2	72	454537-3	KNOB	1		
2	209	424595-3	NEEDLE GUIDE	1		

Products with multiple versions are listed in subsiding order with the newest version on top not indented.

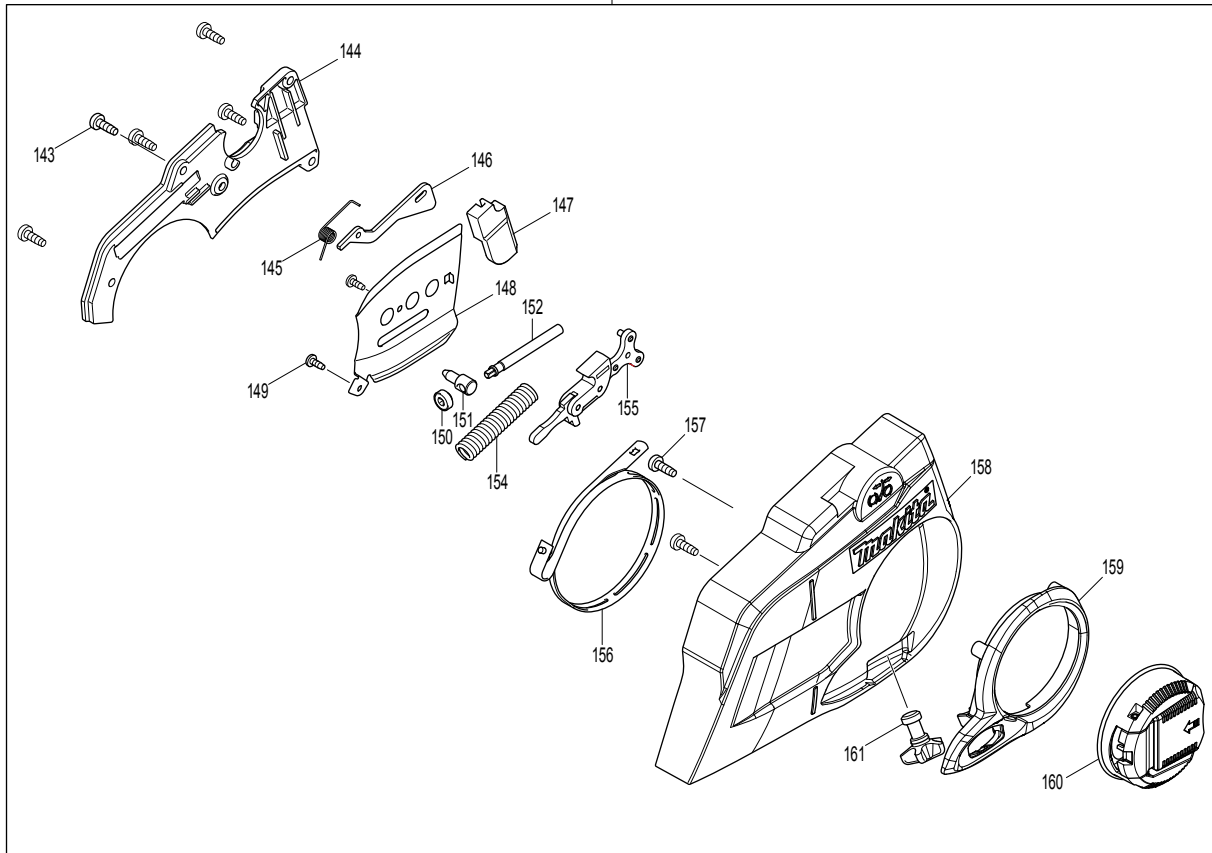
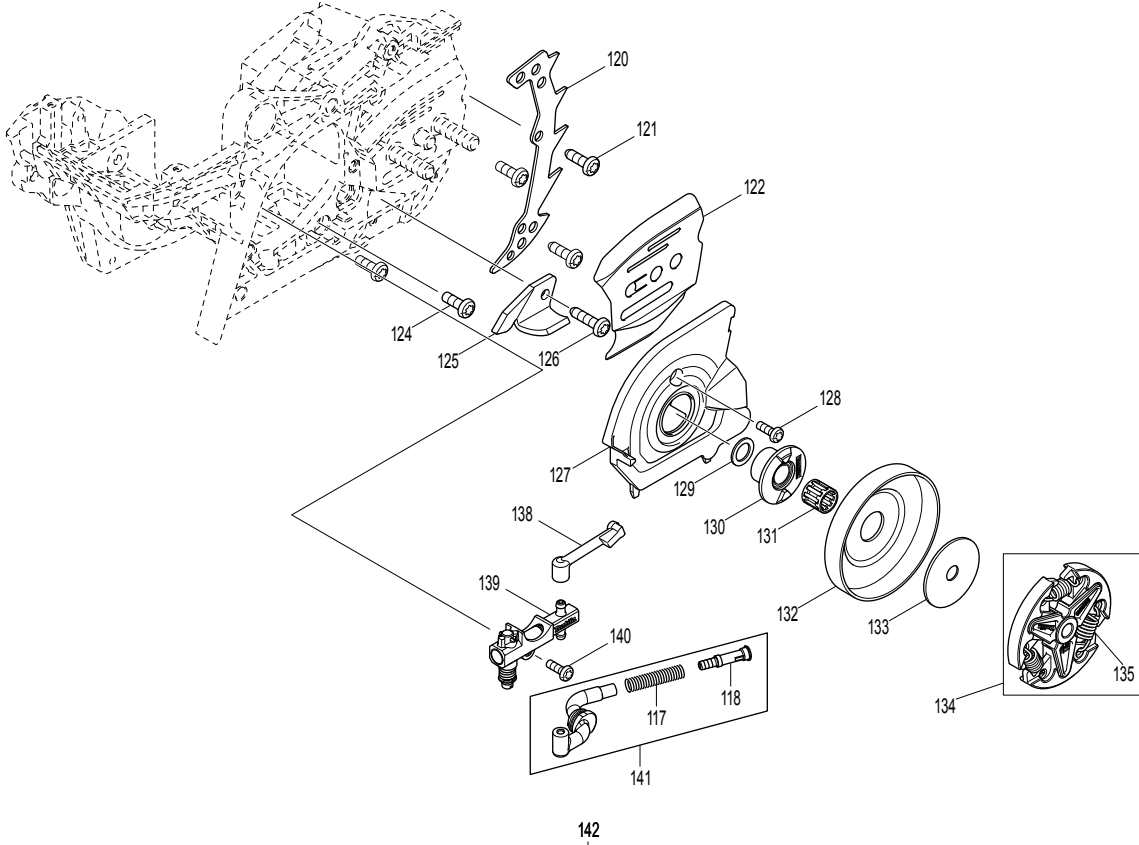
Section	Fig. No.	Part No.	Description	EA3601FRDB	Tech Bulletin	Notes
2	210	454496-1	SHUTTER PLATE	1		
2	211	232284-4	LEAF SPRING	2		
2	212	346696-6	HOOK	2		





Products with multiple versions are listed in subsiding order with the newest version on top not indented.

Section	Fig. No.	Part No.	Description	EA3601FRDB	Tech Bulletin	Notes
3	73	213697-8	OIL SEAL	2		
3	74	424580-6	PLUG CAP	1		
3	80	266859-7	H.L.SOCKET HEAD BOLT M5X12	1		
3	81	266847-4	H.L.SOCKET HEAD BOLT M5X20	4		
3	82	142223-5	CYLINDER COMPLETE	1		
3	83	649500-1	SPARK PLUG (BPMR8Y)	1		
3	84	257365-3	PISTON RING	2		
3	85	319023-0	PISTON	1		
3	86	268331-5	PISTON PIN	1		
3	87	212127-6	NEEDLE CAGE 1011	1		
3	88	346698-2	THRUST WASHER	2		
3	89	234307-4	RETEAINING RING	2		
3	90	142229-3	CRANK SHAFT COMPLETE	1		
3	91	413163-7	BASE GASKET	1		
3	92	266848-2	H.L.HEAD BIND BOLT M4X16	2		
3	93	424581-4	GROMMET	1		
3	94	126350-6	IGNITION COIL ASSEMBLY	1		Inc 74
3	95	454520-0	PLATE	1		
3	96	142224-3	CRANK CASE COMPLETE	1		Inc 73
3	97	266852-1	H.L.SOCKET HEAD BOLT M5X25	4		
3	98	413165-3	GASKET	1		
3	99	126343-3	REED VALVE	1		
3	104	911013-5	PAN HEAD SCREW M3X10	2		
3	105	319022-2	REED VALVE COVER	1		
3	106	266848-2	H.L.HEAD BIND BOLT M4X16	4		
3	107	266846-6	H.L.BIND BOLT M4X12	4		
3	108	454489-8	BRACKET	1		
3	109	424572-5	AIR BOOT	1		
3	110	911013-5	PAN HEAD SCREW M3X10	2		
3	111	126343-3	REED VALVE	1		
3	116	266854-7	H.L. BIND BOLT M5X14	1		

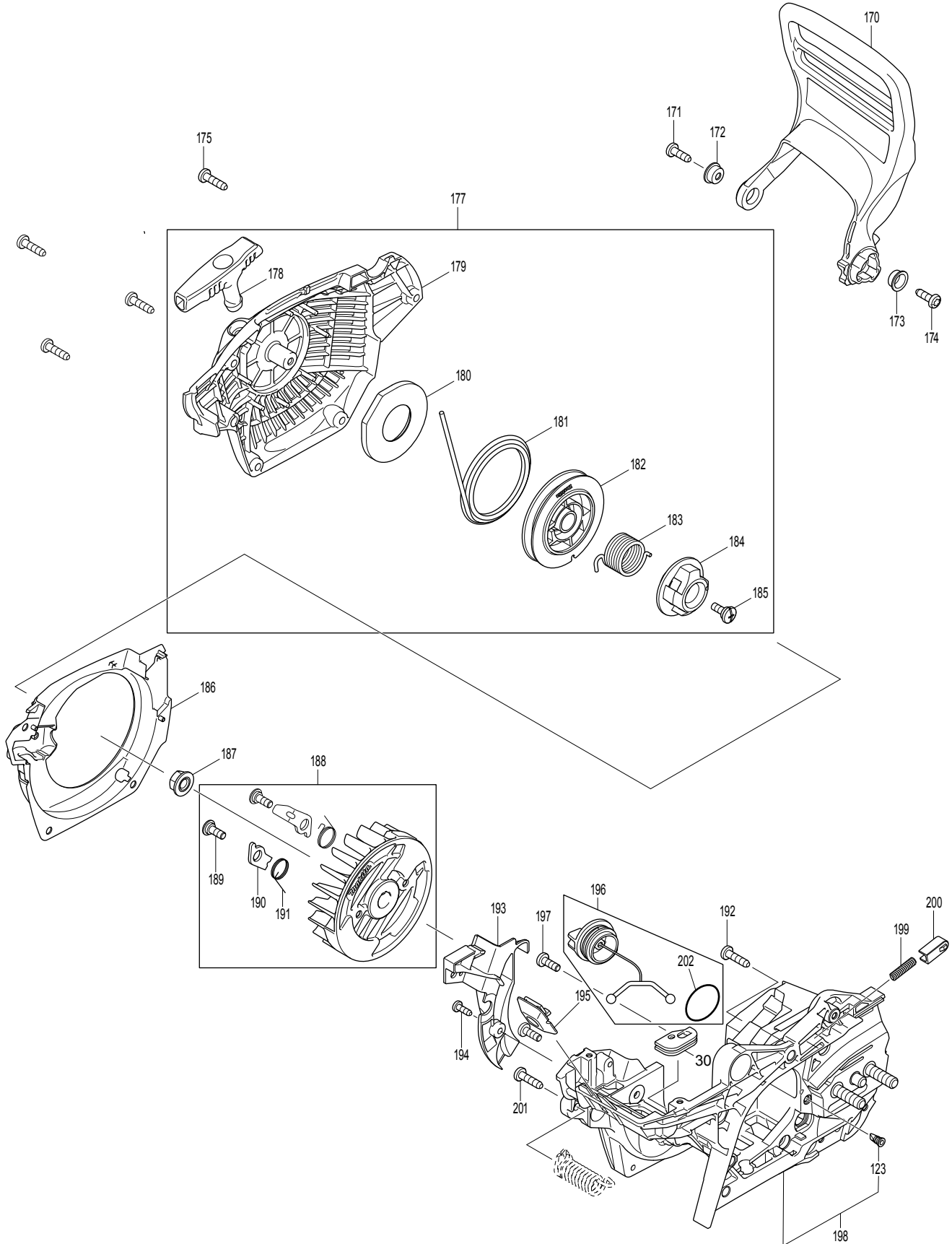


Products with multiple versions are listed in subsiding order with the newest version on top not indented.

Section	Fig. No.	Part No.	Description	EA3601FRDB	Tech Bulletin	Notes
4	117	234207-8	COMPRESSION SPRING 6	1		
4	118	452666-6	NIPPLE	1		
4	120	346695-8	SPIKE BUMPER	1		
4	121	266857-1	H.L. TAPPING SCREW 5X16	2		
4	122	346694-0	GUIDE PLATE ES	1		
4	124	266854-7	H.L. BIND BOLT M5X14	3		
4	125	346722-1	CHAIN CATCHER	1		
4	126	266856-3	H.L. TAPPING SCREW 5X20	1		
4	127	454509-8	PUMP COVER	1		
4	128	266846-6	H.L.BIND BOLT M4X12	1		
4	129	267047-9	FLAT WASHER 10	1		
4	130	221427-3	WORM GEAR	1		
4	131	212129-2	NEEDLE CAGE 1013	1		
4	132	165725-4	CLUTCH DRUM COMPLETE	1		
4	133	346693-2	BACK PLATE	1		
4	134	126348-3	CLUTCH ASSEMBLY	1		Inc 135
4	135	231883-9	TENSION SPRING 8	3		
4	138	424579-1	OIL PIPE (OUT)	1		
4	139	142156-4	OIL PUMP COMPLETE	1		
4	140	266846-6	H.L.BIND BOLT M4X12	1		
4	141	126349-1	OIL PIPE ASSEMBLY	1		INC. 117,118
4	142	123551-7	CHAIN COVER ASSEMBLY	1		INC. 143-152,154-161
4	143	266855-5	H.L. TAPPING SCREW 4X12	5		
4	144	454515-3	SPRING COVER	1		
4	145	233607-9	TORSION SPRING 6	1		
4	146	346702-7	LEVER	1		
4	147	313265-8	WEIGHT	1		
4	148	346699-0	GUIDE PLATE CS	1		
4	149	266166-8	TAPPING SCREW CT 3X8	1		
4	150	227496-2	STRAIGHT BEVEL GEAR 14	1		
4	151	326310-0	ADJUST PIN	1		
4	152	326312-6	ADJUST SCREW	1		
4	154	234304-0	COMPRESSION SPRING 7	1		

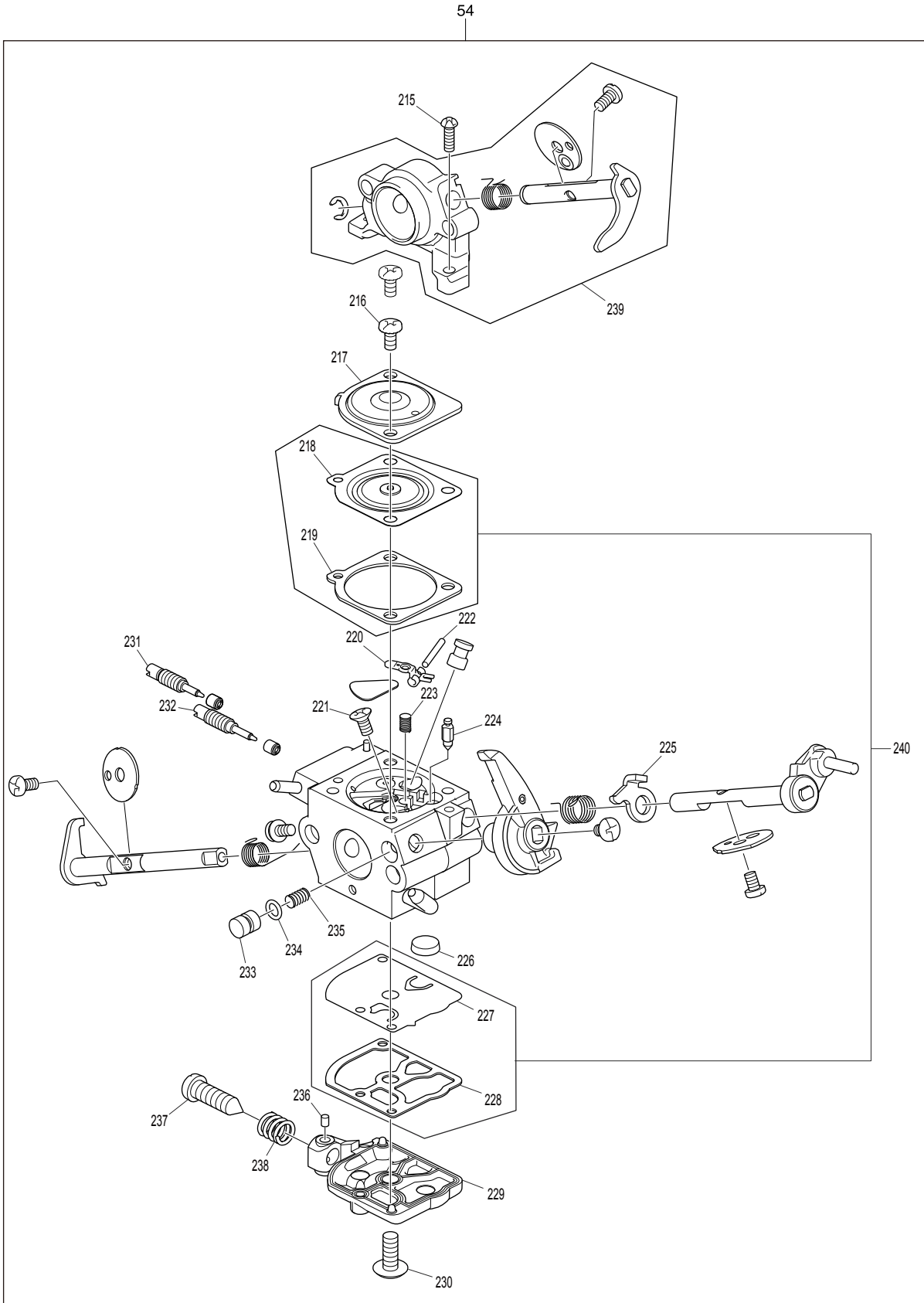
Products with multiple versions are listed in subsiding order with the newest version on top not indented.

Section	Fig. No.	Part No.	Description	EA3601FRDB	Tech Bulletin	Notes
4	155	142234-0	LEVER COMPLETE	1		
4	156	143383-6	BRAKE BAND COMPLETE	1		
4	157	266855-5	H.L. TAPPING SCREW 4X12	2		
4	158	456615-5	CHAIN COVER	1		
4	159	454519-5	NUT COVER	1		
4	160	142235-8	NUT COMPLETE	1		
4	161	142288-7	WHEEL COMPLETE	1		Inc O-Ring
4		213011-8	O RING 7	1		<i>Not pictured</i>



Products with multiple versions are listed in subsiding order with the newest version on top not indented.

Section	Fig. No.	Part No.	Description	EA3601FRDB	Tech Bulletin	Notes
5	30	424573-3	DUST GROMMET	1		
5	123	421298-0	CHECK VALVE	1		
5	170	142351-6	FRONT GUARD COMPLETE	1		
5	171	266857-1	H.L. TAPPING SCREW 5X16	1		
5	172	346697-4	HOLDER	1		
5	173	346697-4	HOLDER	1		
5	174	266857-1	H.L. TAPPING SCREW 5X16	1		
5	175	266856-3	H.L. TAPPING SCREW 5X20	4		
5	177	126352-2	RECOIL STARTER ASSEMBLY	1		INC. 178-185
5	178	454522-6	STARTER GRIP	1		
5	179	142238-2	STARTER CASE COMPLETE	1		
5	180	SG00000020	SPRING ASSEMBLY	1		
5	181	SG00000025	STARTER ROPE	1		
5	182	454523-4	REEL	1		
5	183	SG00000023	DAMPER SPRING	1		
5	184	454524-2	RATCHET WHEEL	1		
5	185	266777-9	TAPPING SCREW 5X12	1		
5	186	142213-8	FAN COVER COMPLETE	1		
5	187	264094-1	HEX.NUT M8-12 WITH CW	1		
5	188	142236-6	FLYWHEEL COMPLETE	1		INC. 189-191
5	189	266866-0	H.L.SOCKET HEAD BOLT M5X12	2		
5	190	346703-5	RATCHET	2		
5	191	233609-5	TORSION SPRING 15	2		
5	192	266856-3	H.L. TAPPING SCREW 5X20	1		
5	193	454493-7	AIR GUIDE PLATE	1		
5	194	266855-5	H.L. TAPPING SCREW 4X12	1		
5	195	424574-1	DUMPER STOPPER	1		
5	196	168508-1	TANK CAP COMPLETE	1		INC. 202
5	197	266854-7	H.L. BIND BOLT M5X14	2		
5	198	135661-8	ENGINE CASE ASS'Y	1		INC. 123
5	199	234210-9	COMPRESSION SPRING 6	1		
5	200	313212-9	HAND GUARD GUIDE	1		
5	201	266856-3	H.L. TAPPING SCREW 5X20	1		
5	202	963-225-030	O-RING 25	1		

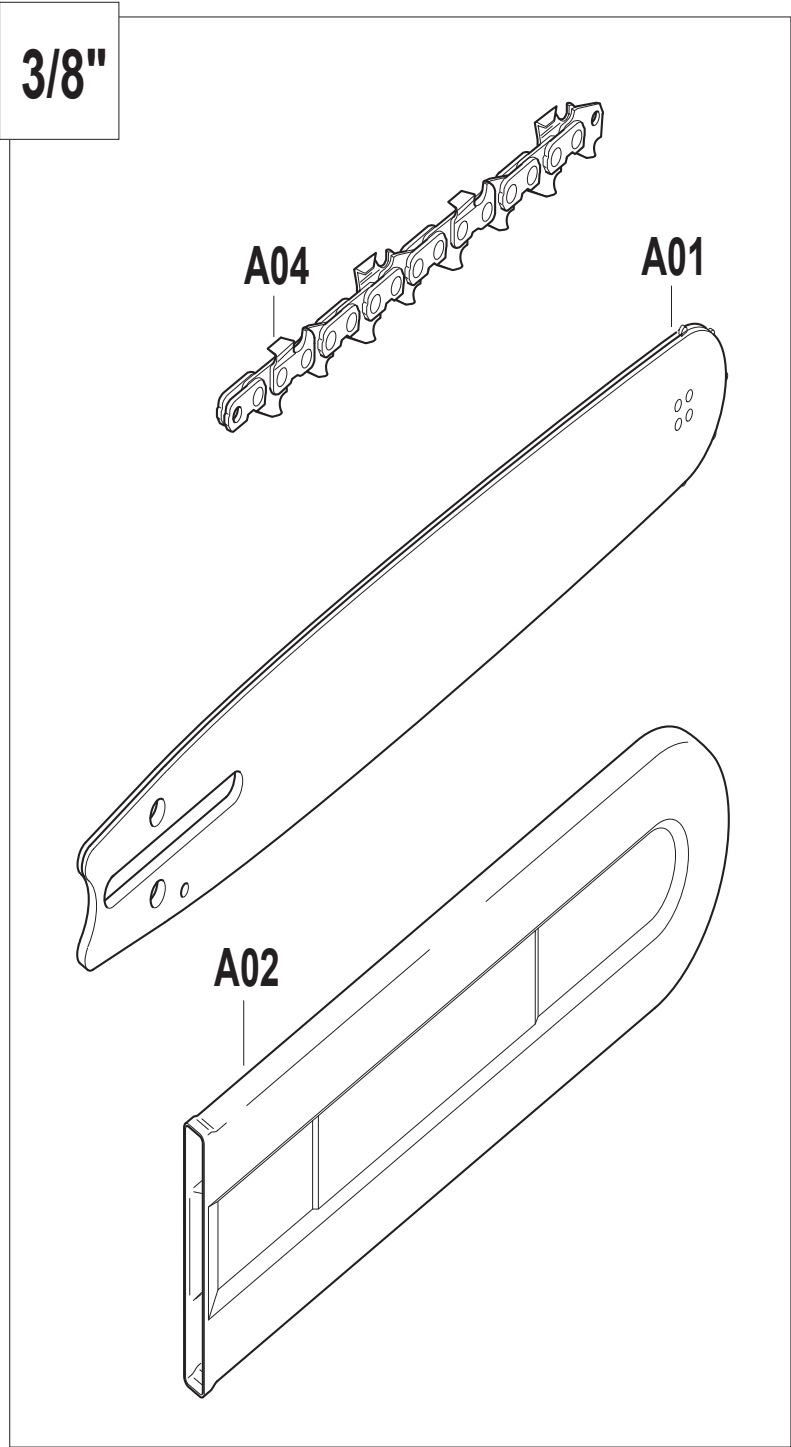


Products with multiple versions are listed in subsiding order with the newest version on top not indented.

Section	Fig. No.	Part No.	Description	EA3601FRDB	Tech Bulletin	Notes
6	54	168819-4	CARBURETOR ASSEMBLY	1		INC. 215-239
6	215	ZJ00000063	SCREW	1		
6	216	ZJ00000014	SCREW (WITH SERRATION)	2		
6	217	ZJ00000055	COVER, METERING	1		
6	218	ZJ00000058	DIAPHRAGM ASS'Y, METERING	1		
6	219	ZJ00000011	GASKET, METERING CHAMBER	1		
6	220	ZJ00000006	LEVER	1		
6	221	ZJ00000009	SCREW (METERING LEVER PIN)	1		
6	222	ZJ00000008	PIN	1		
6	223	ZJ00000010	SPRING, METERING LEVER	1		
6	224	ZJ00000007	VALVE, INLET NEEDLE	1		
6	225	ZJ00000048	LEVER, CHOKE	1		
6	226	ZJ00000003	STRAINER	1		
6	227	ZJ00000029	DIAPHRAGM, PUMP	1		
6	228	ZJ00000016	GASKET, PUMP	1		
6	229	ZJ00000056	COVER, PUMP	1		
6	230	ZJ00000020	SCREW (PUMP COVER)	1		
6	231	ZJ00000051	SCREW, MAIN MIXTURE	1		
6	232	ZJ00000050	SCREW, IDLE MIXTURE	1		
6	233	ZJ00000074	PLUNGER	1		
6	234	ZJ00000054	O-RING	1		
6	235	ZJ00000073	SPRING	1		
6	236	ZJ00000062	PIECE, FRICTION	1	Y06928	
6	237	ZJ00000061	SCREW, THROTTLE ADJUST	1		
6	238	ZJ00000068	SPRING, ADJUST SCREW	1		
6	239	ZJ00000075	AIR HEAD KIT	1		
6	240	ZJ00000076	GASKET AND DIAPHRAGM KIT	1		INC. 218,219,227,228



3/8"



Products with multiple versions are listed in subsiding order with the newest version on top not indented.

Section	Fig. No.	Part No.	Description	EA3601FRDB	Tech Bulletin	Notes
7	A01	442-040-661	GUIDE BAR 16"	1		
7	A02	419242-9	CHAIN PROTECTOR 14-16"	1		
7	A03	782027-9	BOX WRENCH	1		
7	A04	196208-3	SAW CHAIN SET	1		