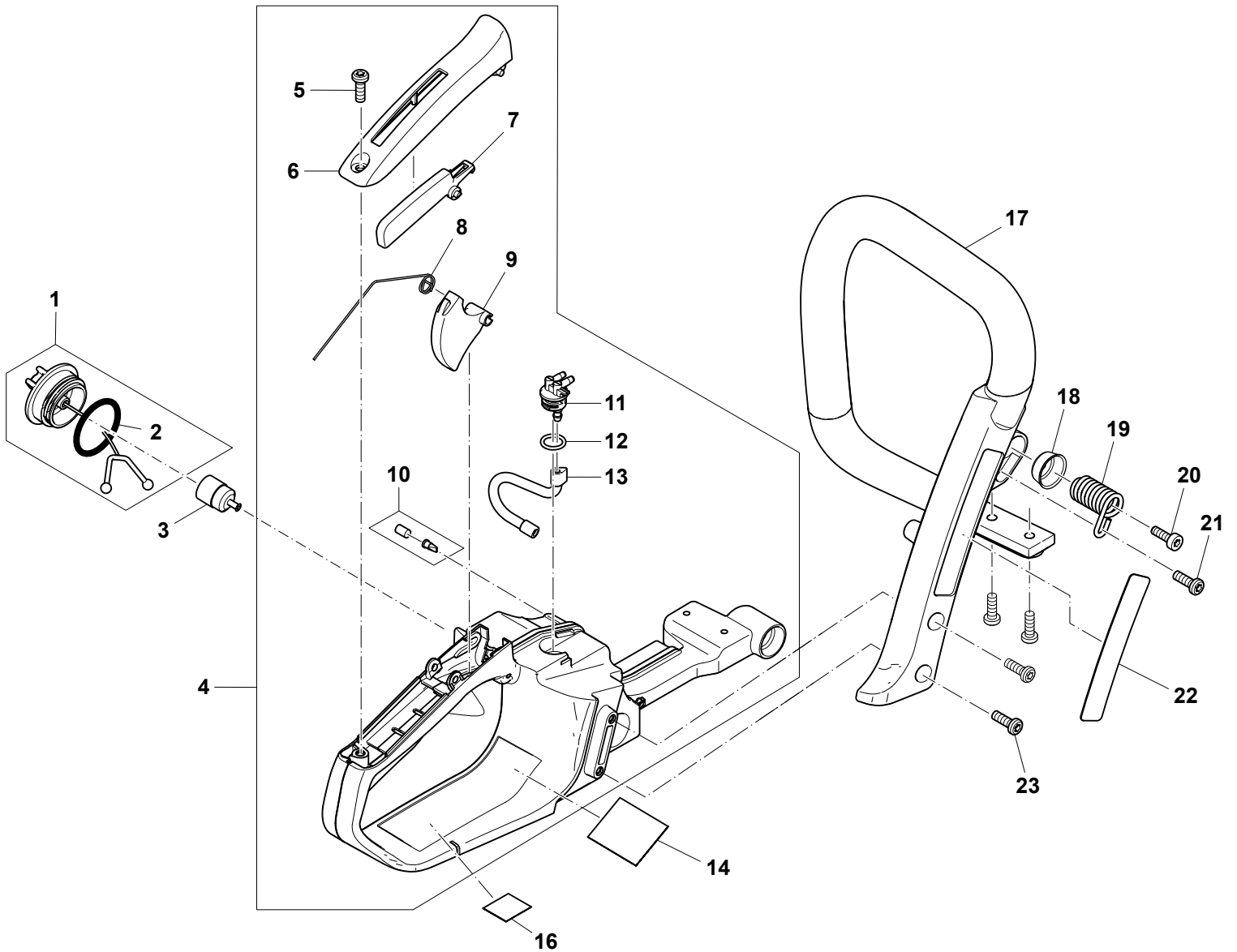




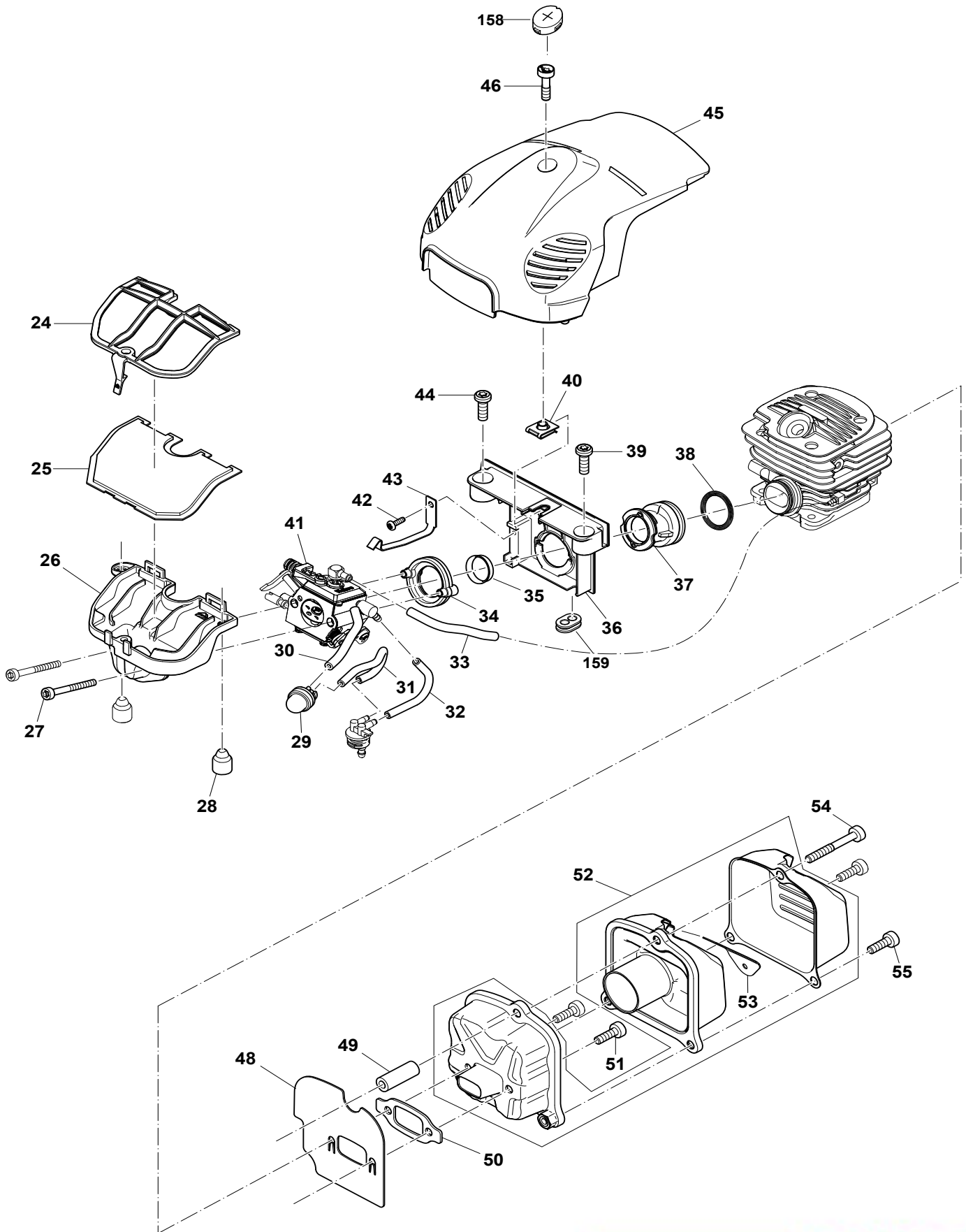
## **PARTS BREAKDOWN**

**PS-35C**  
**EA3500SR**



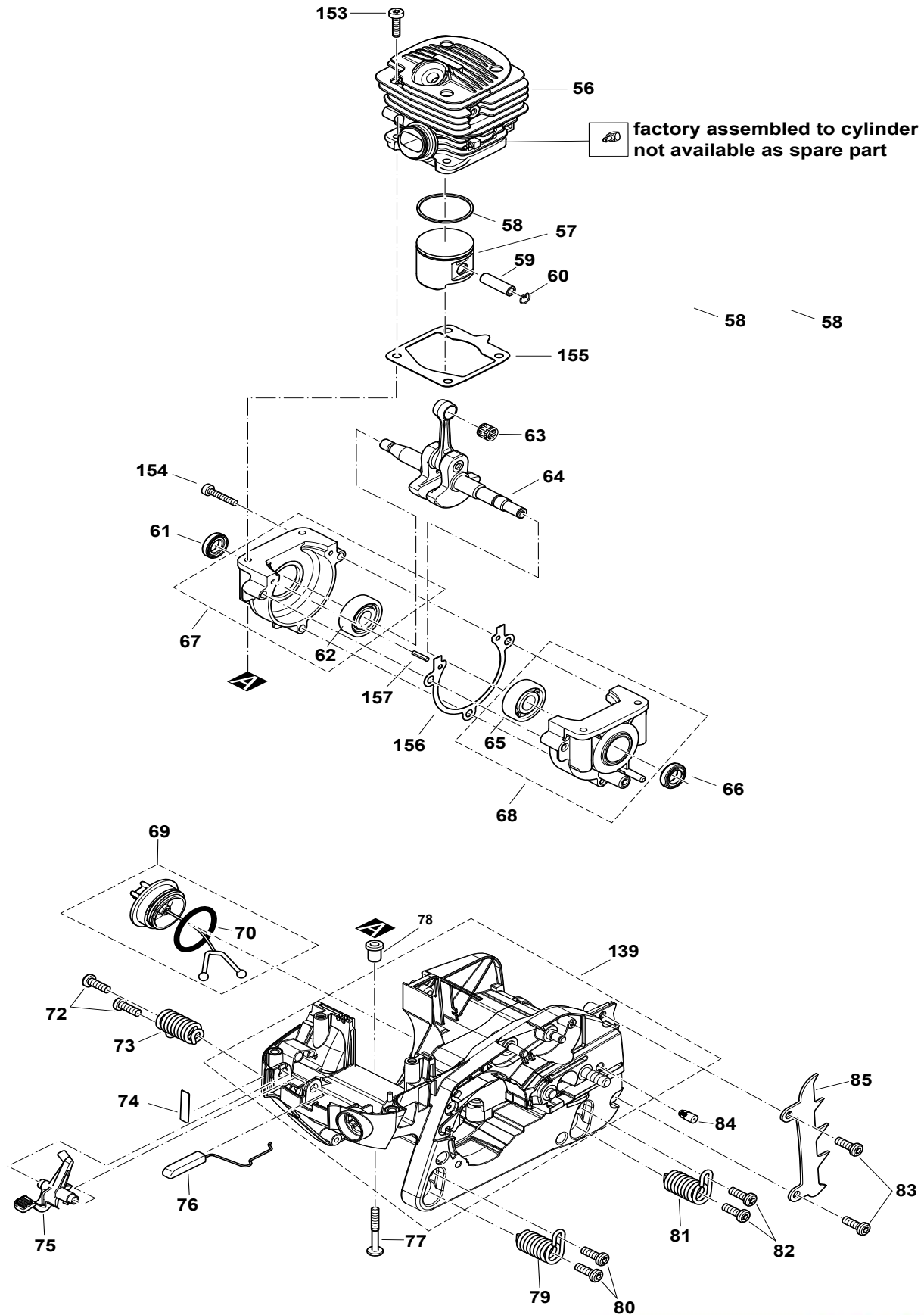
Products with multiple versions are listed in subsiding order with the newest version on top not indented.

Section	Fig. No.	Part No.	Description	PS-35	EA3500SR	Tech Bulletin	Notes
1	1	168507-3	TANK CAP COMPLETE	1	1		INC. 2
1	2	213080-9	O RING 29.5	1	1		
1	3	163447-0	GASOLINE FILTER	1	1		
1	4	195757-7	TANK ASSEMBLY A RED	1	1		INC. 5-13
1	5	266651-1	H.L. TAPPING SCREW 5.5X16	1	1		
1	6	452021-2	GRIP SHELL	1	1		
1	7	452020-4	CATCH LEVER	1	1		
1	8	231866-9	TORSION SPRING 10	1	1		
1	9	452019-9	THROTTLE LEVER	1	1		
1	10	195762-4	AIR VALVE SET	1	1		
1	11	452018-1	FUEL NIPPLE	1	1		
1	12	213586-7	O RING 11.5	1	1		
1	13	424456-7	FUEL LINE	1	1		
1	14	850C74-7	PS-35 C NAME PLATE	1			
1	15	806V58-7	GAS EMISSION APPROVAL LABEL	1	1		
1	16	806U13-3	CAUTION LABEL	1	1		
1	17	452036-9	TUBULAR HANDLE	1	1		
1	18	346517-2	CUP WASHER 6	1	1		
1	19	234189-4	COMPRESSION SPRING 12	1	1		
1	20	266605-8	H.L. SOCKET HEAD BOLT M5X16	1	1		
1	21	266651-1	H.L. TAPPING SCREW 5.5X16	1	1		
1	22	891899-2	DOLMAR LOGO LABEL	1	1		
1	23	266651-1	H.L. TAPPING SCREW 5.5X16	4	4		



Products with multiple versions are listed in subsiding order with the newest version on top not indented.

Section	Fig. No.	Part No.	Description	PS-35	EA3500SR	Tech Bulletin	Notes
2	24	452031-9	AIR FILTER COVER	1	1		
2	25	423414-0	AIR FILTER	1	1		
2	26	452030-1	INTAKE MANIFOLD	1	1		
2	27	266604-0	H.L. SOCKET HEAD BOLT M4X40	2	2		
2	28	424173-9	DAMPING PLUG	2	2		
2	29	168398-2	PRIMER PUMP	1	1		
2	30	422067-2	TUBE 2.5-55	1	1		
2	31	422065-6	TUBE 2.5-112	1	1		
2	32	422068-0	TUBE 3-70	1	1		
2	33	422066-4	TUBE 2.5-72	1	1		
2	34	318634-8	FLANGE RING	1	1		
2	35	346413-4	BUSH 17	1	1		
2	36	454874-5	INTERMEDIATE FLANGE	1	1		
2	37	424617-9	INTAKE HOSE	1	1		
2	38	233971-8	RING SPRING	1	1		
2	39	266651-1	H.L. TAPPING SCREW 5.5X16	1	1		
2	40	264044-6	SNAP NUT M5	1	1		
2	41	168829-1	CARBURETOR	1	1		
2	42	266421-8	TAPPING SCREW 3X10	1	1		
2	43	346290-4	CONTACT SPRING	1	1		
2	44	266651-1	H.L. TAPPING SCREW 5.5X16	1	1		
2	45	454875-3	HOOD	1	1		
2	46	266607-4	H.L. SOCKET HEAD BOLT M5X20	1	1		
2	47	325938-1	ANGULAR NIPPLE	1	1		INC. WITH CYLINDER
2	48	346764-5	COOLING PLATE	1	1		
2	49	326390-6	CONNECTING LINK	1	1		
2	50	346304-9	GASKET	1	1		
2	51	266605-8	H.L. SOCKET HEAD BOLT M5X16	1	1		
2	52	168830-6	MUFFLER COMPLETE	2	2		INC. 53
2	53	346823-5	SPARK ARRESTER	1	1		
2	54	266480-2	H.L. SOCKET HEAD BOLT	1	1		
2	55	266605-8	H.L. SOCKET HEAD BOLT M5X16	2	2		
2	158	424618-7	PLUG	1	1		
2	159	424631-5	SLEEVE	1	1		



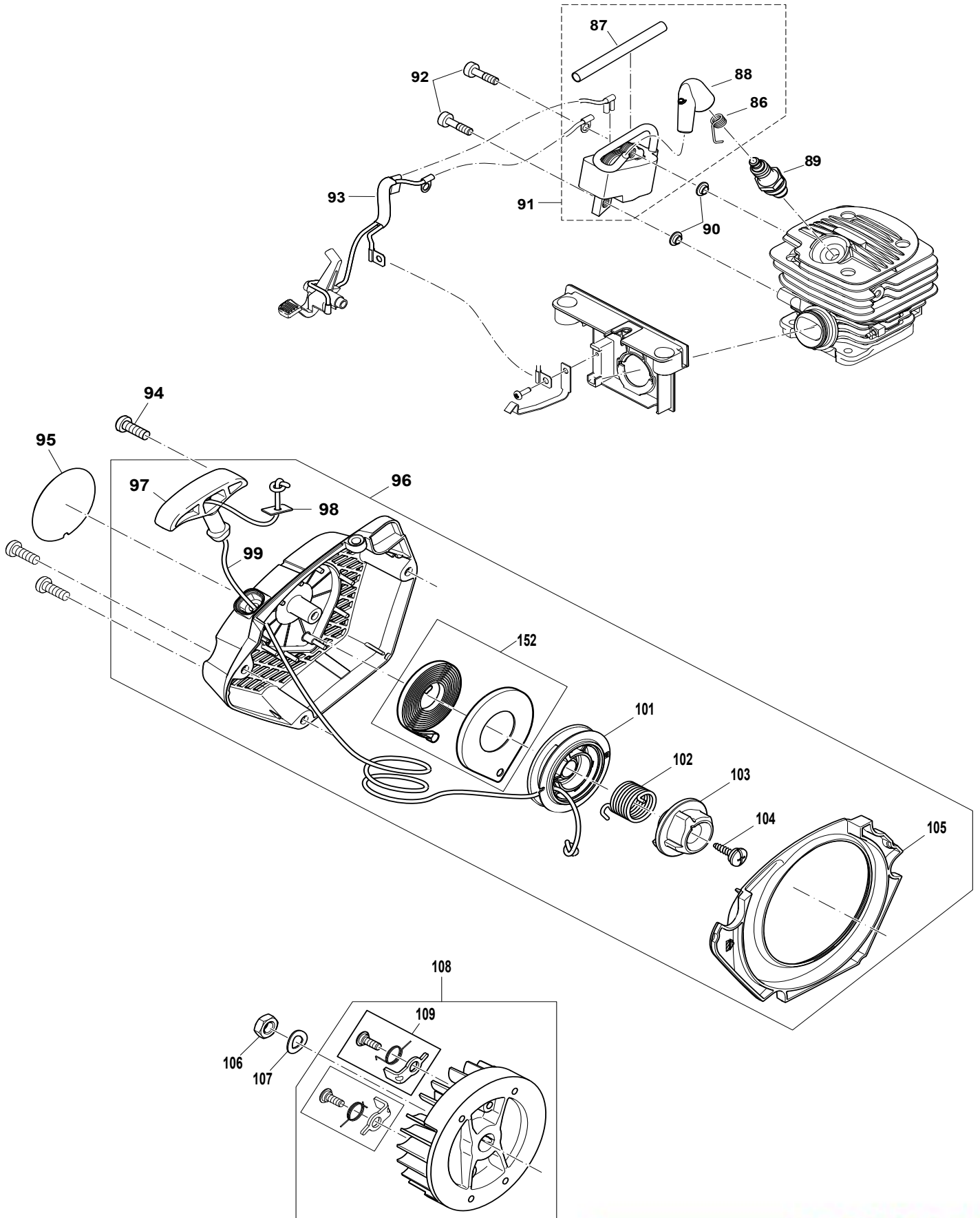
Products with multiple versions are listed in subsiding order with the newest version on top not indented.

Section	Fig. No.	Part No.	Description	PS-35	EA3500SR	Tech Bulletin	Notes
3	56	319073-5	CYLINDER 38	1	1		
3	57	319108-2	PISTON 38	1	1		
3	58	257366-1	PISTON RING 38	1	1		
3	59	326395-6	PISTON PIN	1	1		
3	60	234323-6	RING SPRING 9	2	2		
3	61	213141-5	OIL SEAL 12	1	1		
3	62	211494-6	BALL BEARING 6201	1	1		
3	63	212093-7	NEEDLE CAGE 912	1	1		
3	64	142417-2	CRANKSHAFT COMPLETE	1	1		
3	65	211494-6	BALL BEARING 6201	1	1		
3	66	213141-5	OIL SEAL 12	1	1		
3	67	126380-7	CRANKCASE MS ASSEMBLY	1	1		INC. 62
3	68	126381-5	CRANKCASE KS ASSEMBLY	1	1		INC. 65
3	69	168507-3	TANK CAP COMPLETE	1	1		INC. 70
3	70	213080-9	O RING 29.5	1	1		
3	72	266651-1	H.L. TAPPING SCREW 5.5X16	2	2		
3	73	234189-4	COMPRESSION SPRING 12	1	1		
3	74	816917-5	INDICATION LABEL	1	1		
3	75	452025-4	CHOKE LEVER	1	1		
3	76	452022-0	THROTTLE LINKAGE	1	1		
3	76	125-117-120	THROTTLE LINKAGE	1			
3	77	266608-2	H.L.TAPPING SCREW 5X40	4	4		
3	78	326402-5	BUSH 6	4	4		
3	79	234189-4	COMPRESSION SPRING 12	1	1		
3	80	266651-1	H.L. TAPPING SCREW 5.5X16	2	2		
3	81	234189-4	COMPRESSION SPRING 12	1	1		
3	82	266651-1	H.L. TAPPING SCREW 5.5X16	2	2		
3	83	266651-1	H.L. TAPPING SCREW 5.5X16	2	2		
3	84	168504-9	VENT VALVE	1	1		
3	85	346301-5	SPIKE BAR	1	1		
3	139	143548-0	ENGINE HOUSING COMPLETE RED	1	1		
3	153	908-405-205	H.L. SOCKET HEAD BOLT M5X20	4	4		

Products with multiple versions are listed in subsiding order with the newest version on top not indented.

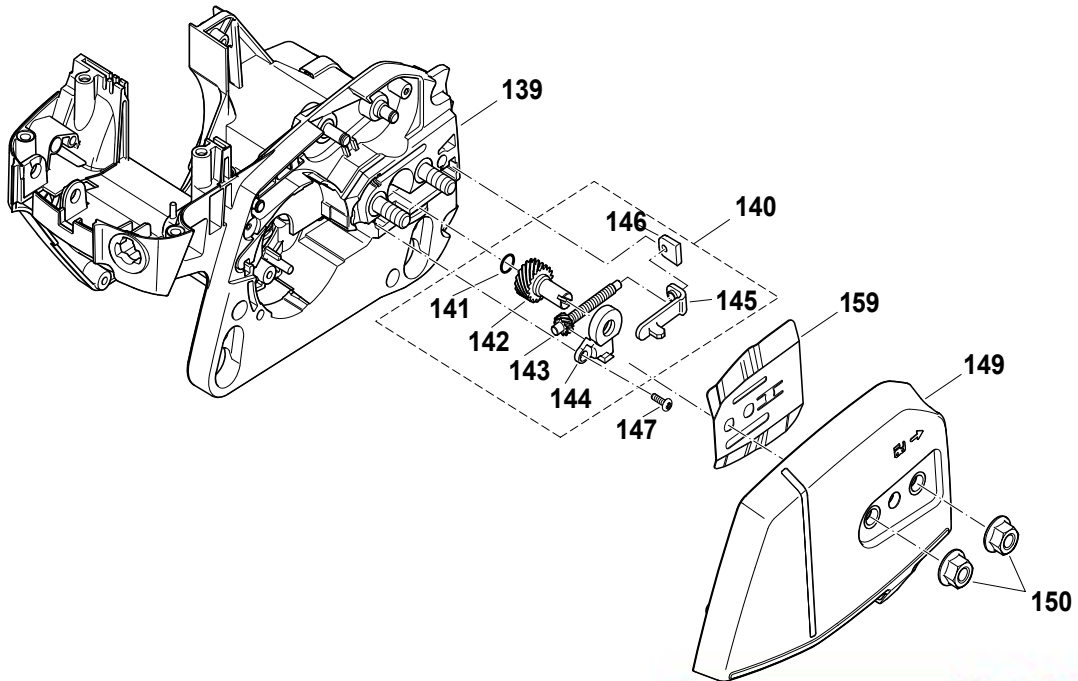
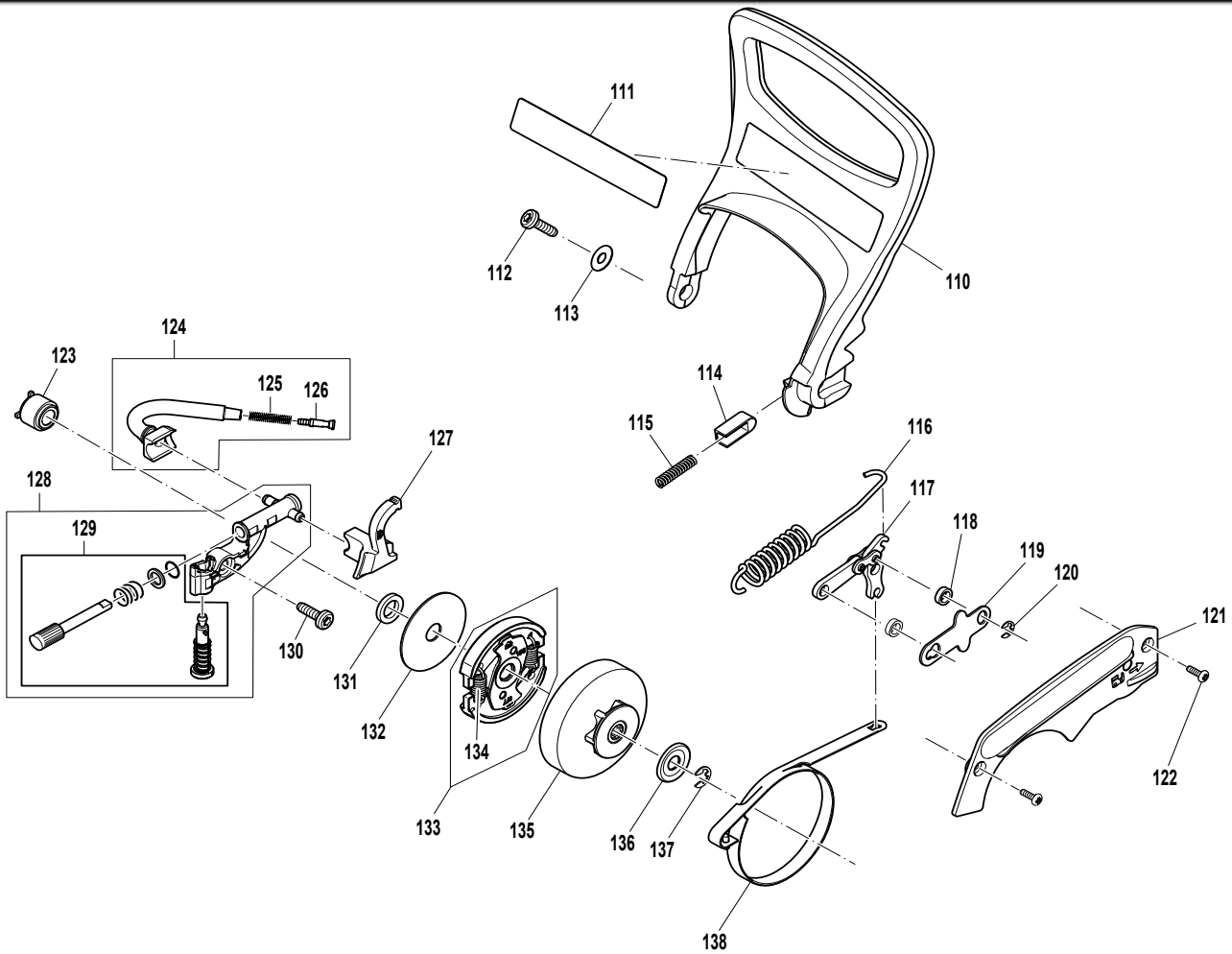
Section	Fig. No.	Part No.	Description	PS-35	EA3500SR	Tech Bulletin	Notes
3	154	266880-6	H.L. SOCKET HEAD BOLT M5X25	3	3		
3	155	346760-3	CYLINDER BASE GASKET	1	1		
3	156	346761-1	CRANKCASE GASKET	1	1		
3	157	951063-8	SPRING PIN 3-16	2	2		





Products with multiple versions are listed in subsiding order with the newest version on top not indented.

Section	Fig. No.	Part No.	Description	PS-35	EA3500SR	Tech Bulletin	Notes
4	86	326210-4	TERMINAL SPRING	1	1		
4	87	444042-8	ISOLATING TUBE 6-80	1	1		
4	88	424522-0	PLUG CAP	1	1		
4	89	168401-9	SPARK PLUG	1	1		
4	90	452670-5	ISOLATING WASHER	2	2		
4	91	126270-4	IGNITION COIL ASSEMBLY	1	1		INC. 86-88
4	92	266631-7	H.L. SOCKET HEAD BOLT M5X20	2	2		
4	93	168601-1	CABLE HARNESS	1	1		
4	94	266651-1	H.L. TAPPING SCREW 5.5X16	3	3		
4	95	802K42-4	PS-35 C MODEL NO. LABEL	1	1		
4	96	161327-4	STARTER COMPLETE	1	1		INC. 97-99,101-105,152
4	96	168603-7	STARTER COMPLETE	1	1		INC. 97-99,101-105,152
4	97	453783-5	STARTER GRIP	1	1		
4	98	267847-7	SQUARE WASHER 4	1	1		
4	99	444038-9	STARTER ROPE	1	1		
4	101	453785-1	REEL	1	1		
4	102	234253-1	TORSION SPRING 20	1	1		
4	103	453786-9	CAM PLATE	1	1		
4	104	266777-9	TAPPING SCREW 5X12	1	1		
4	105	452026-2	AIR GUIDE PLATE	1	1		
4	106	264053-5	HEX. NUT M8X1	1	1		
4	107	267822-3	SPRING WASHER 8	1	1		
4	108	140480-9	FLYWHEEL COMPLETE	1	1		INC. 109
4	109	195761-6	RATCHET SET	2	2		
4	152	195955-3	REWIND SPRING SET	1	1		



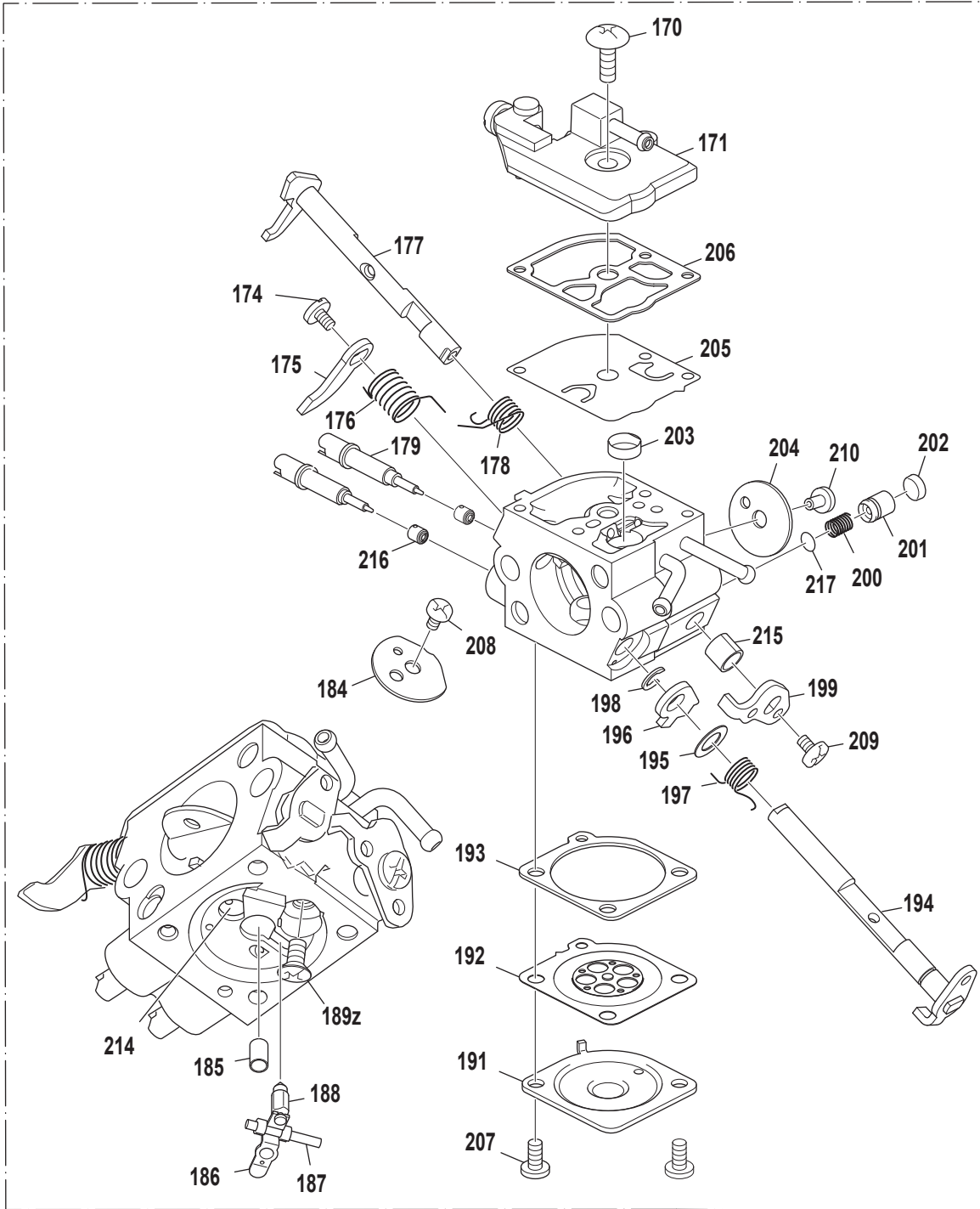
Products with multiple versions are listed in subsiding order with the newest version on top not indented.

Section	Fig. No.	Part No.	Description	PS-35	EA3500SR	Tech Bulletin	Notes
5	110	452032-7	HAND GUARD	1	1		
5	111	802C39-5	CAUTION LABEL	1	1		
5	112	266651-1	H.L. TAPPING SCREW 5.5X16	1	1		
5	113	253715-0	FLAT WASHER 6	1	1		
5	114	313212-9	HAND GUARD GUIDE	1	1		
5	115	234210-9	COMPRESSION SPRING 3	1	1		
5	116	231868-5	TENSION SPRING 10	1	1		
5	117	163500-2	LINK PLATE COMPLETE	1	1		
5	118	325947-0	BUSH 6	2	2		
5	119	346299-6	SPACER SHEET METAL	1	1		
5	120	961011-9	STOP RING E-4	1	1		
5	121	452033-5	BRAKE COVER	1	1		
5	122	266421-8	TAPPING SCREW 3X10	2	2		
5	123	452035-1	PUMP DRIVE	1	1		
5	124	168645-1	OIL SUCTION LINE COMPLETE	1	1		INC. 125,126
5	125	234207-8	COMPRESSION SPRING 6	1	1		
5	126	452666-6	NIPPLE	1	1		
5	127	424342-2	OIL PRESSURE LINE	1	1		
5	128	161346-0	OIL PUMP COMPLETE	1	1		
5	130	266605-8	H.L. SOCKET HEAD BOLT M5X16	1	1		
5	131	267430-0	FLAT WASHER 10	1	1		
5	132	267431-8	FLAT WASHER 10	1	1		
5	133	168607-9	CLUTCH COMPLETE	1	1		INC. 134
5	134	231873-2	TENSION SPRING 5	2	2		
5	135	140484-1	CLUTCH DRUM	1	1		
5	136	267833-8	CUP WASHER 8	1	1		
5	137	259033-4	RETAINING RING E TYPE 6	1	1		
5	138	346298-8	BRAKE BAND	1	1		
5	141	213594-8	O RING 7	1	1		

Products with multiple versions are listed in subsiding order with the newest version on top not indented.

Section	Fig. No.	Part No.	Description	PS-35	EA3500SR	Tech Bulletin	Notes
5	142	227744-9	HELICAL GEAR 18	1	1		
5	143	227743-1	HELICAL GEAR 11	1	1		
5	144	452667-4	GEAR COVER PROFESSIONAL	1	1		
5	145	346300-7	TENSION SLIDE	1	1		
5	147	266421-8	TAPPING SCREW 3X10	1	1		
5	148	346518-0	GUIDE PLATE	1	1		
5	149	452034-3	SPROCKET GUARD	1	1		
5	150	264055-1	COLLARED HEX. NUT M8	2	2		
5	160	197441-0	CLUTCH DRUM SET	1	1		INC. 135,136

41



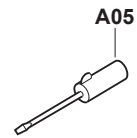
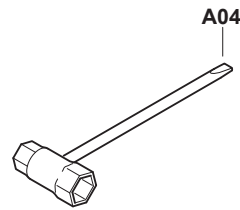
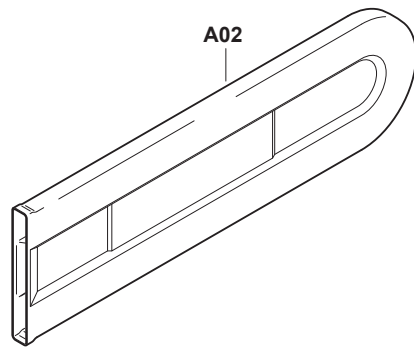
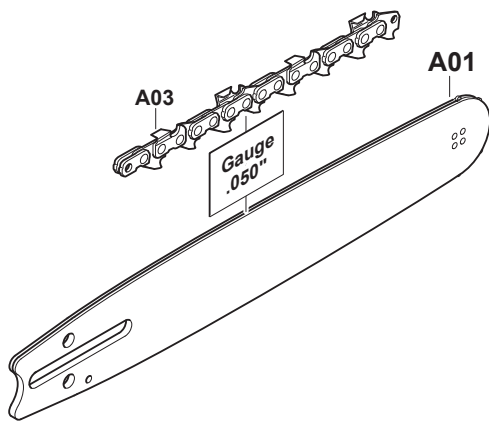
Products with multiple versions are listed in subsiding order with the newest version on top not indented.

Section	Fig. No.	Part No.	Description	PS-35	EA3500SR	Tech Bulletin	Notes
6	41	168829-1	CARBURETOR	1	1		
6	170	ZJ00000020	SCREW	1	1		
6	171	ZJ00000004	COVER ASSEMBLY-PUMP	1	1		
6	174	ZJ00000023	SCREW	1	1		
6	175	ZJ00000025	LEVER-CHOKE	1	1		
6	176	ZJ00000040	SPRING	1	1		
6	177	ZJ00000015	SHAFT ASSEMBLY-THROTTLE	1	1		
6	178	ZJ00000034	SPRING	1	1		
6	179	ZJ00000026	NEEDLE-IDLE	1	1		
6	184	ZJ00000024	VALVE-CHOKE	1	1		
6	185	ZJ00000010	SPRING	1	1		
6	186	ZJ00000006	LEVER-METERING	1	1		
6	187	ZJ00000008	PIN-METERING LEVER	1	1		
6	188	ZJ00000007	VALVE-INLET NEEDLE	1	1		
6	189	ZJ00000009	SCREW	1	1		
6	191	ZJ00000028	COVER-METERING DIAPHRAGM	1	1		
6	192	ZJ00000013	DIAPHRAGM ASSEMBLY-METERING	1	1		
6	194	ZJ00000012	SHAFT ASSEMBLY-CHOKE	1	1		
6	195	ZJ00000033	WASHER	1	1		
6	196	ZJ00000031	LEVER-FAST IDLE	1	1		
6	197	ZJ00000032	SPRING	1	1		
6	198	ZJ00000017	RING-RETAINING	1	1		
6	199	ZJ00000022	LEVER-THROTTLE	1	1		
6	200	ZJ00000073	SPRING				
6	200	ZJ00000019	SPRING	1	1		
6	201	ZJ00000005	PISTON ASSMBLY-ACCELERATOR	1	1		
6	202	ZJ00000036	PLUG-CUP	1	1		
6	203	ZJ00000003	INLET SCREEN	1	1		
6	204	ZJ00000030	VALVE-THROTTLE	1	1		
6	205	ZJ00000029	DIAPHRAGM-PUMP	1	1		
6	206	ZJ00000016	GASKET-PUMP	1	1		
6	207	ZJ00000014	SCREW ASSEMBLY	2	2		
6	208	ZJ00000001	SCREW	1	1		

Products with multiple versions are listed in subsiding order with the newest version on top not indented.

Section	Fig. No.	Part No.	Description	PS-35	EA3500SR	Tech Bulletin	Notes
6	209	ZJ00000023	SCREW	1	1		
6	210	ZJ00000001	SCREW	1	1		
6	214	ZJ00000018	NOZZLE ASSY, CHECK VALVE	1	1		
6	215	ZJ00000021	COLLAR	1	1		
6	216	ZJ00000035	RETAINER	1	1		
6	217	ZJ00000037	STRAINER	1	1		





Products with multiple versions are listed in subsiding order with the newest version on top not indented.

Section	Fig. No.	Part No.	Description	PS-35	EA3500SR	Tech Bulletin	Notes
7	A01	412-040-661	GUIDE BAR	1	1		
7	A02	952-010-140	CHAIN PROTECTION COVER	1	1		
7	A03	511-492-056	SAW CHAIN 16"	1	1		
7	A04	941-713-161	UNIVERSIAL WRENCH 13/16	1	1		
7	A05	783012-5	SCREWDRIVER	1	1		