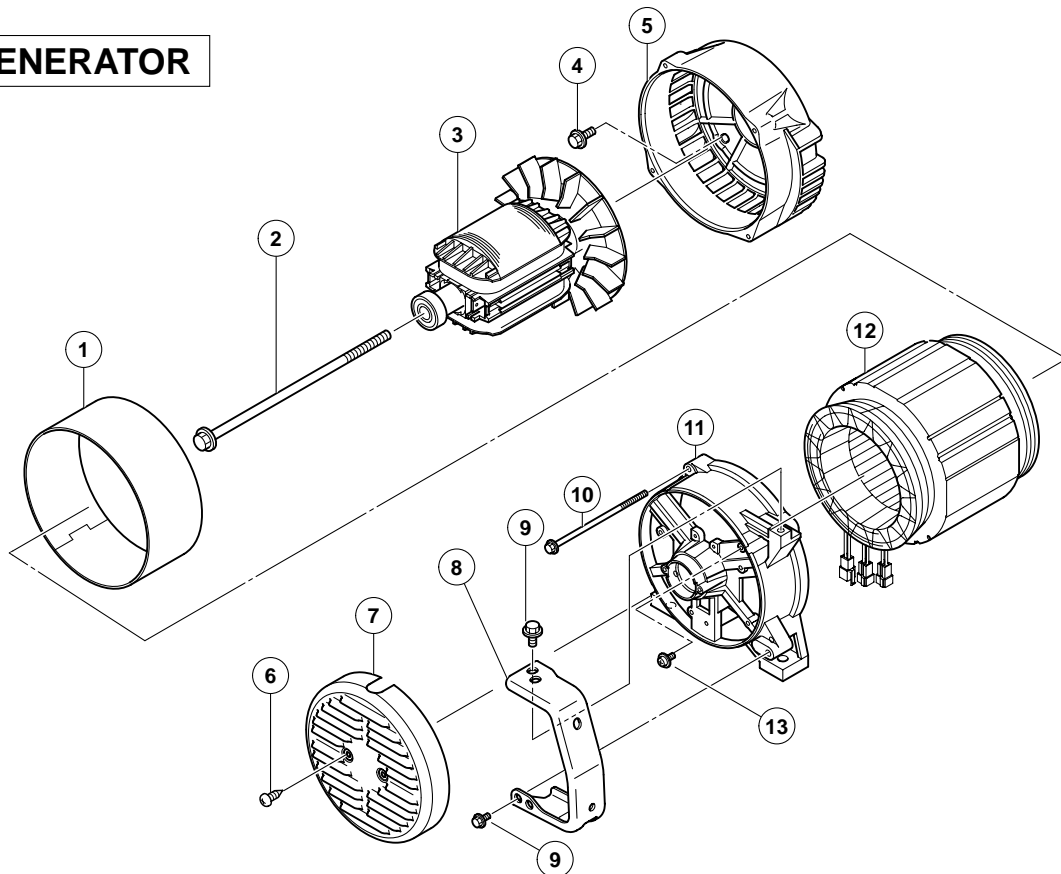


ENGINE TOOL PARTS LIST

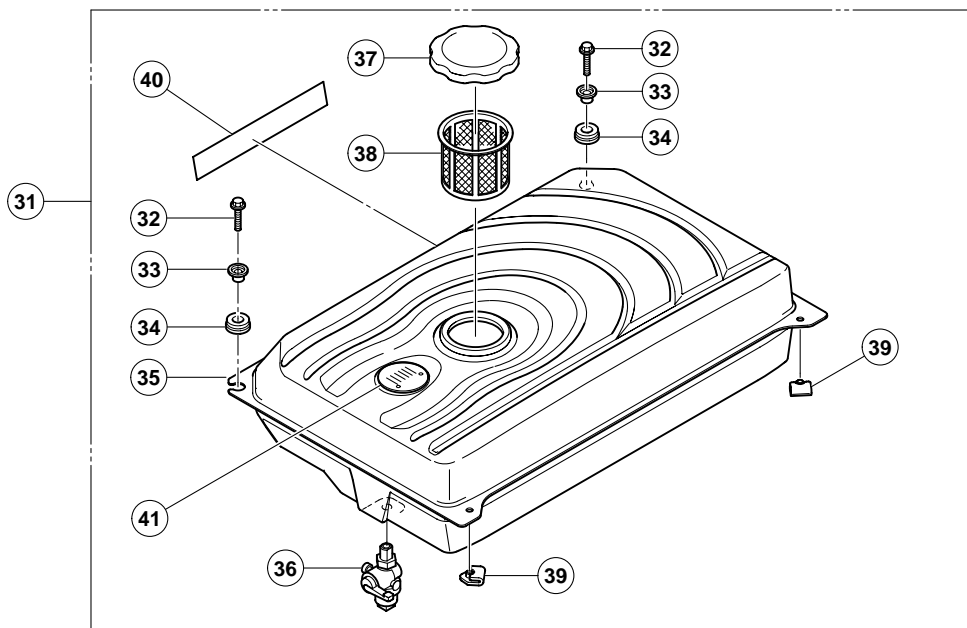
GENERATOR
Model E 43

2005 • 8 • 5
(E1)

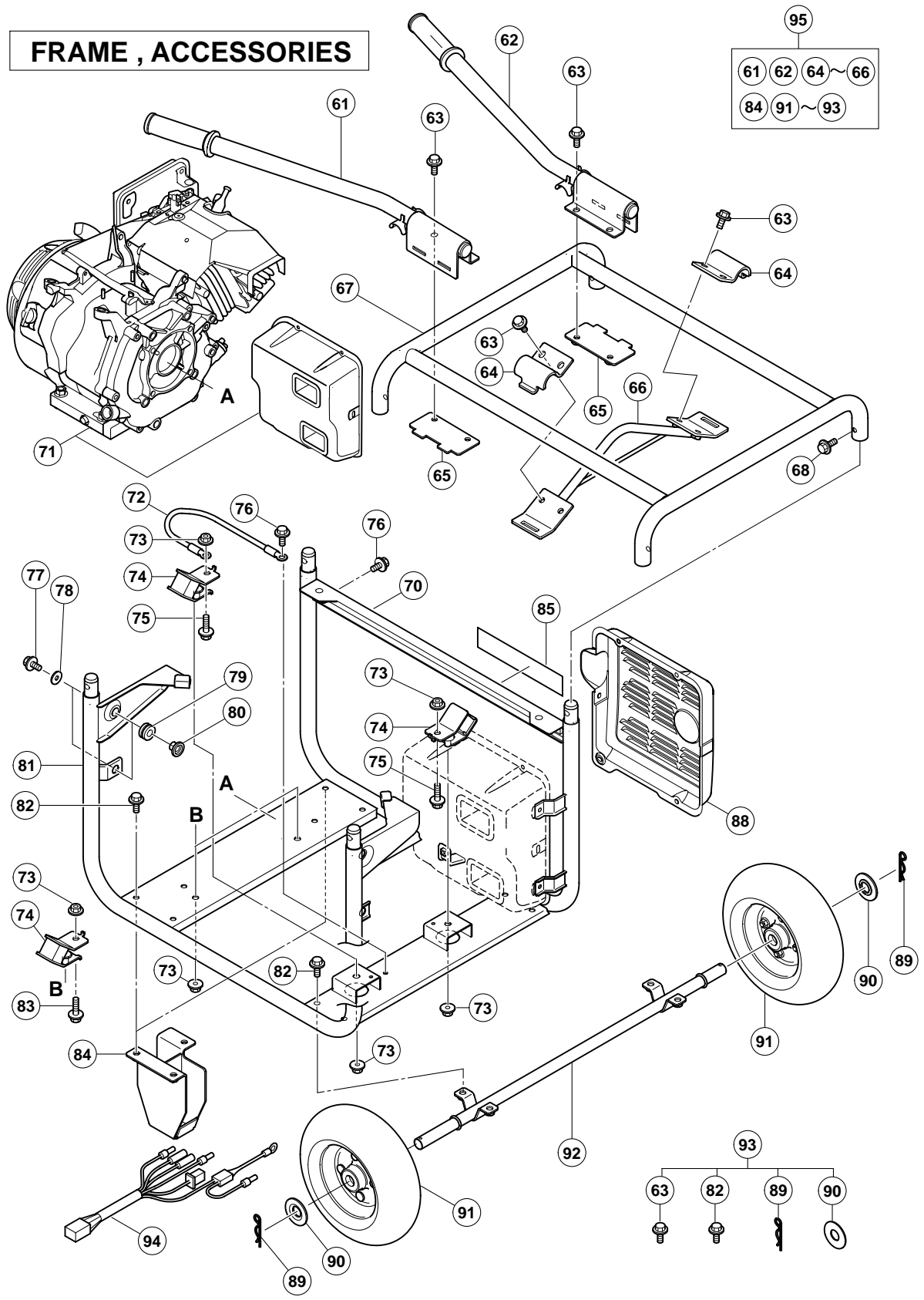
GENERATOR

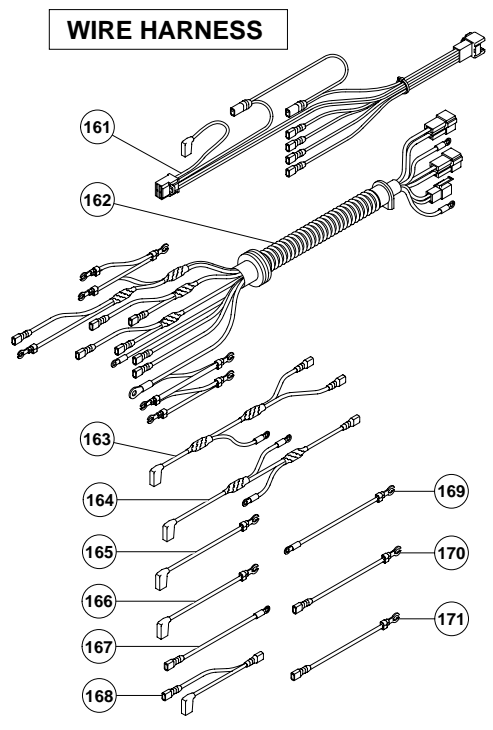
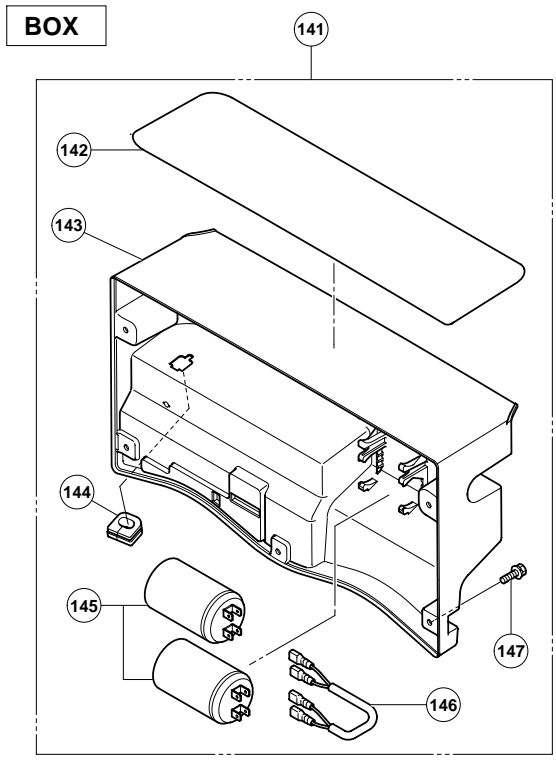
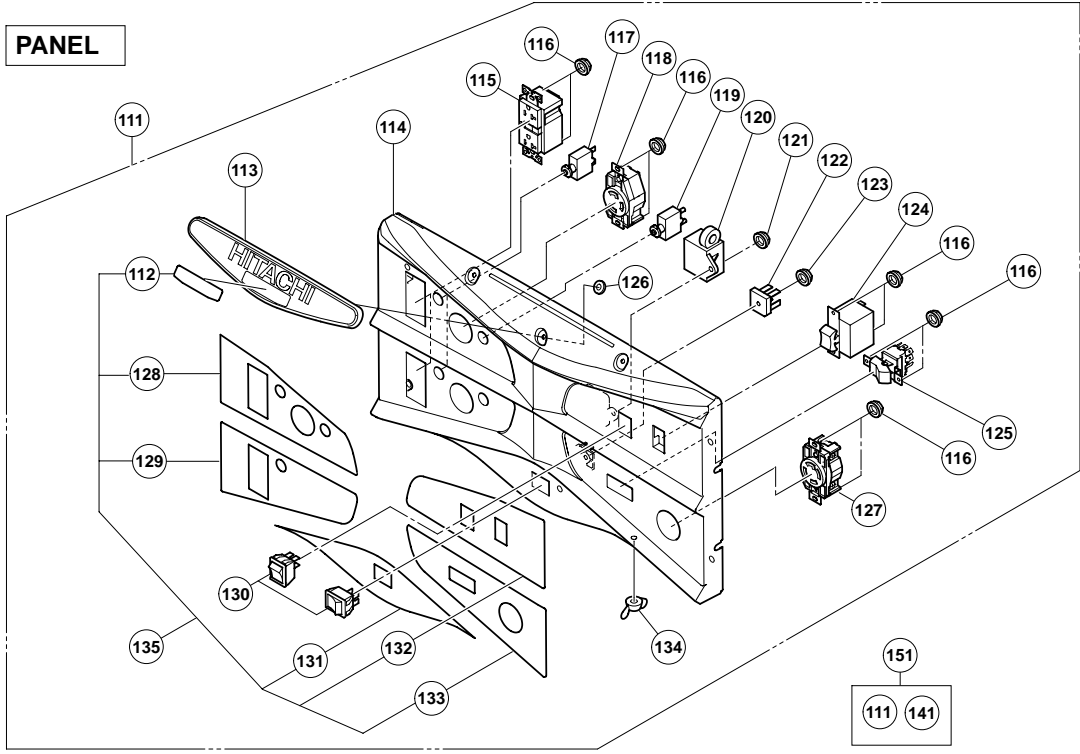


TANK



FRAME , ACCESSORIES





PARTS

E 43

ITEM NO.	CODE NO.	DESCRIPTION	NO. USED	REMARKS
		GENERATOR		
1	683-785	BAND	1	
2	683-784	BOLT M10X215	1	
3	683-780	ROTOR COMP.	1	
4	683-680	HEX. BOLT M8X18	4	
5	683-779	FRONT COVER	1	
6	683-685	TAPPING SCREW D5X10	2	
7	683-686	END COVER	1	
8	683-684	MUFFLER STAY	1	
9	683-681	HEX. BOLT M8X14	2	
10	683-783	THROUGH BOLT M6X120	4	
11	683-782	REAR COVER	1	
12	683-781	STATOR	1	
13	683-687	SCREW (W/WASHER) M5X12	1	
		TANK		
31	683-724	TANK COMP.	1	INCLUD. 32-41
32	683-732	HEX. BOLT M6X24	2	
33	683-730	COLLAR	2	
34	683-731	GROMMET	2	
35	683-725	TANK	1	
36	683-727	FUEL VALVE	1	
37	683-726	TANK CAP	1	
38	683-728	FUEL FILTER	1	
39	683-729	GROMMET	2	
40		MARK PLATE (H)	1	
41	683-800	TANK GAUGE	1	
		FRAME, ACCESSORIES		
61	683-754	LEFT HANDLE COMP.	1	
62	683-753	RIGHT HANDLE COMP.	1	
63	683-758	HEX. BOLT M8X18	8	
64	683-750	HOOK STAY	2	
65	683-755	HANDLE STAY CLAMP	2	
66	683-749	HOOK COMP.	1	
67	683-744	FRAME (B)	1	
68	683-743	HEX. BOLT M8X18	4	
70	683-740	TANK STAY	1	
71	683-795	ENGINE	1	
72	683-737	CORD COMP.	1	
73	683-736	HEX. NUT M10	8	
74	683-735	ISOLATOR	4	
75	683-738	HEX. BOLT M10X30	2	
76	683-711	HEX. BOLT M6X12	3	
77	683-732	HEX. BOLT M6X24	4	
78	683-742	WASHER	4	
79	683-731	GROMMET	4	
80	683-730	COLLAR	4	
81	683-794	FRAME (A)	1	
82	683-757	HEX. BOLT M8X14	10	
83	683-739	HEX. BOLT M10X40	2	
84	683-748	STAND	2	
85		MARK PLATE (HS)	1	

PARTS

ITEM NO.	CODE NO.	DESCRIPTION	NO. USED	REMARKS
88	683-746	FRONT MUFFLER COVER	1	
89	683-759	RETAINER PIN	2	
90	683-760	WASHER	2	
91	683-751	WHEEL	2	
92	683-752	SHAFT COMP.	1	
93	683-756	ACCESSORIES KIT (1)	1	INCLUD. 63, 82, 89, 90
94	683-733	WIRE HARNESS	1	
95	683-761	ACCESSORIES KIT	1	INCLUD. 61, 62, 64-66, 84, 91-93
		PANEL		
111	683-786	PANEL COMP.	1	INCLUD. 113-127, 130, 134, 135
112		MARK PLATE (M)	1	
113	683-704	LOGO PLATE	1	
114	683-789	PANEL (1)	1	
115	683-692	POWER RECEPTACLE	2	
116	683-702	HEX. NUT	12	
117	683-695	THERMAL PROTECTOR	2	
118	683-693	POWER RECEPTACLE	1	
119	683-696	THERMAL PROTECTOR	1	
120	683-689	IDLE CONTROL	1	
121	683-700	HEX. NUT	1	
122	683-703	RECTIFIER	1	
123	683-701	HEX. NUT	1	
124	683-787	BREAKER	1	
125	683-691	SELECT SWITCH	1	
126	683-705	PUSHING NUT	3	
127	683-788	RECEPTACLE	1	
128		MARK PLATE (LU)	1	
129		MARK PLATE (LD)	1	
130	683-697	SWITCH	2	
131		MARK PLATE (CE)	1	
132		MARK PLATE (RU)	1	
133		MARK PLATE (RD)	1	
134	683-698	WING NUT	1	
135	683-797	MARK PLATE SET	1	INCLUD. 112, 128, 129, 131-133
		BOX		
141	683-790	BOX ASS'Y	1	INCLUD. 142-147
142		NAME PLATE (WN)	1	
143	683-791	BOX (1)	1	
144	683-710	GROMMET	1	
145	683-707	NOISE SUPPRESSOR	2	
146	683-708	CORD COMP.	1	
147	683-711	HEX. BOLT M6X12	5	
151	683-796	PANEL ASS'Y	1	INCLUD. 111, 141
		WIRE HARNESS		
161	683-722	WIRE HARNESS	1	
162	683-793	WIRE HARNESS	1	
163	683-792	CORD COMP.	1	
164	683-714	CORD COMP.	1	
165	683-720	CORD COMP. (GRAY)	1	
166	683-721	CORD COMP. (BLUE)	1	
167	683-719	CORD COMP. (YELLOW)	1	

PARTS

ITEM NO.	CODE NO.	DESCRIPTION	NO. USED	REMARKS	
168	683-716	CORD COMP.	1		
169	683-713	CORD COMP. (BLUE)	1		
170	683-717	CORD COMP. (BLUE)	1		
171	683-718	CORD COMP. (GRAY)	1		