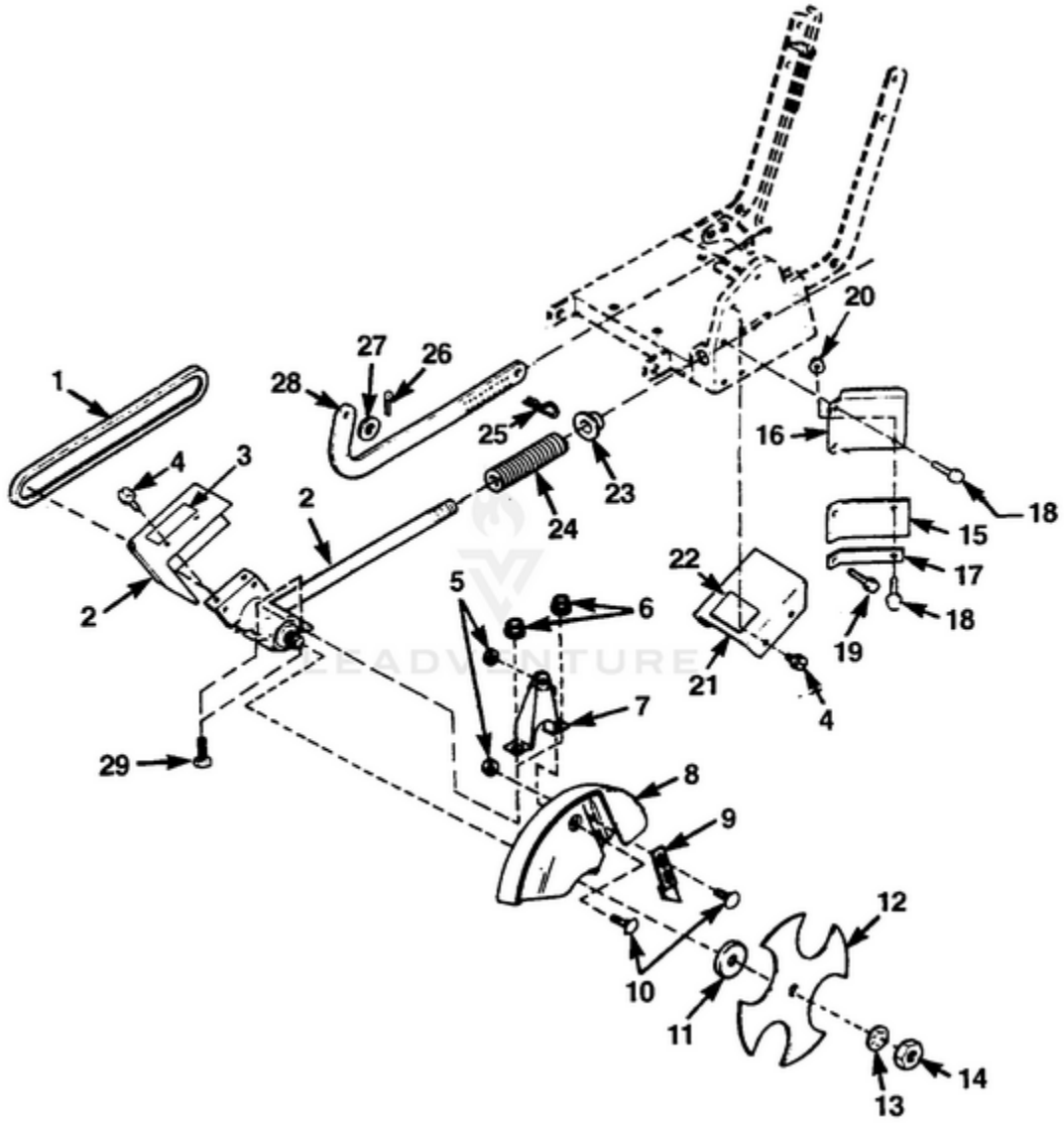


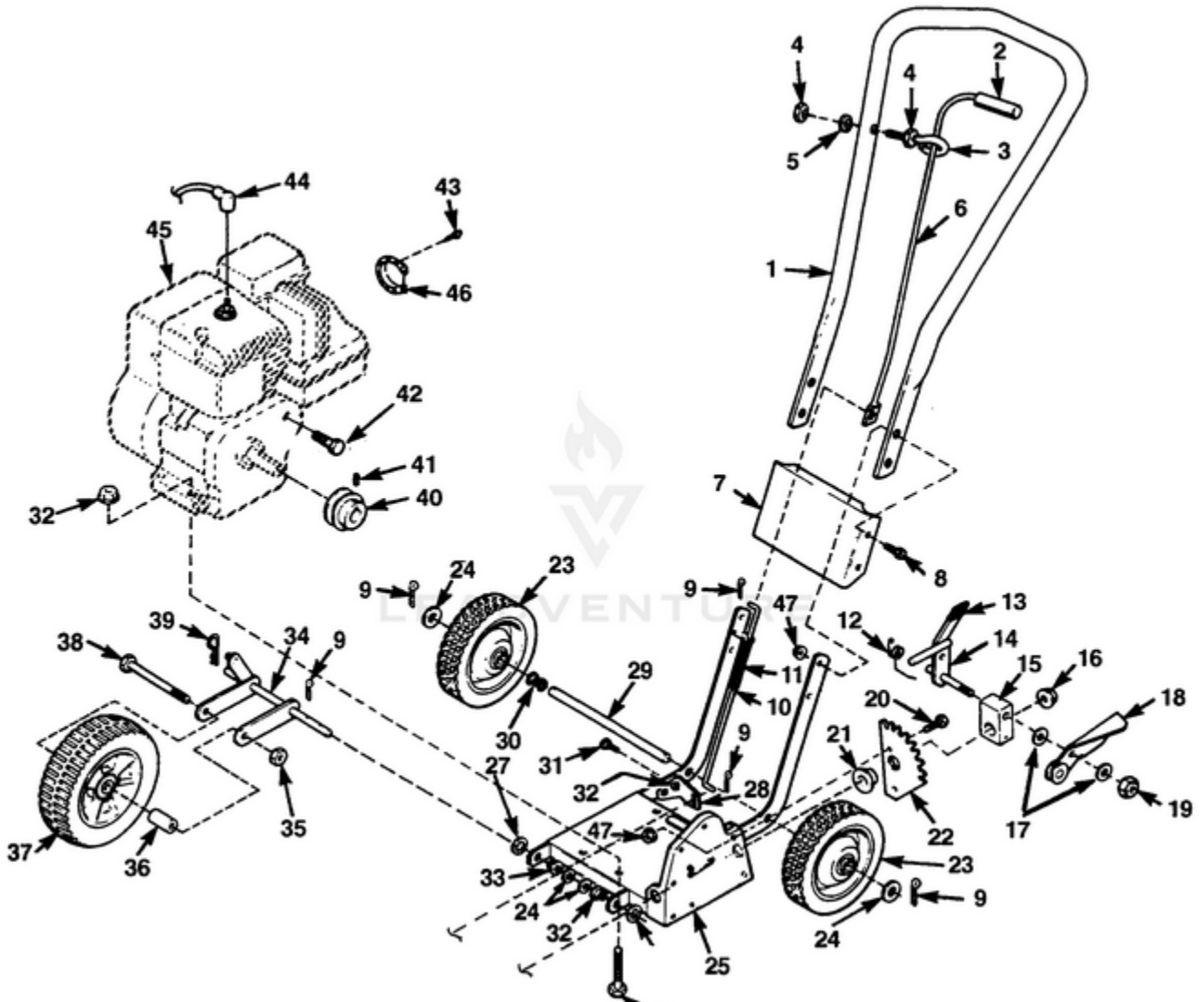
E300HD Edger UT-22086-B - Cutter Head



Rendered by LeadVenture, Inc.

Ref #	Part #	Description	Qty	Context Note
1	06741	BELT	1	
2	A0125946	HEAD-Cutter w/Cutter Guard	1	
3	01249	DECAL-Warning	1	
4	JA409907	SCREW-(1/4-20 X 1/2")	4	
5	JA445768	NUT-(1/4-20)	3	
6	81238	NUT-Hex w/Washer	2	
7	0125931	BRACKET-Guard Support	1	
8	0125916	GUARD-Blade	1	
9	0125907	FINGER-Guide	1	
10	JA441664	BOLT-Carriage (1/4-20 x 5/8")	3	
11	0125924	WASHER-Dust Shield	1	
12	01245	BLADE-Star	1	
13	83095	WASHER-Lock (5/8")	1	
14	JA443828	NUT-Jam (5/8"-18)	1	
	A0125950	DEBRIS FLAP ASSEMBLY	1	Includes Items 15 - 20.
15	0125948	DEBRIS FLAP ASSEMBLY, FLAP-Debris (Rubber)	1	
16	0125947	DEBRIS FLAP ASSEMBLY, SHIELD-Debris	1	
17	0125949	DEBRIS FLAP ASSEMBLY, BRACKET- Debris	1	
18	80049	DEBRIS FLAP ASSEMBLY, SCREW-Hex Hd. (1/4-20 X 5/8")	2	
19	80052	DEBRIS FLAP ASSEMBLY, SCREW-Hex Hd. (1/4-20 X 3/4")	1	
20	JA445768	DEBRIS FLAP ASSEMBLY, NUT-(1/4-20)	3	
21	A0125928	GUARD-Engine Pulley	1	
22	01255	DECAL-Safety	1	
23	0125911	BUSHING-Nylon	1	
24	0125910	SPRING-Cutter Head	1	
25	JA460312	PIN-Cotter Hair	1	
26	86303	PIN-Cotter	1	
27	84091	WASHER-Flat	1	
28	0125904	RATCHET-Depth Control	1	
29		SCREW-(5/16-18)	2	

E300HD Edger UT-22086-B - Handle, Frame And Controls



Rendered by LeadVenture, Inc.

Ref #	Part #	Description	Qty	Context Note
1	012401	HANDLE-Edger	1	
2	0125920	GRIP-Depth Control	1	
3	JA354532	EYE BOLT	1	
4	81242	NUT-Hex (1/4-20)	2	
5	83061	WASHER	1	
6	01243	CONTROL-Depth	1	
7	A0125918	COVER-Handle	1	
8	88078	SCREW-Sems (1/4-20 X 1")	4	
9	86303	PIN-Cotter	6	
10	0125917	ROD-Lower Depth Control	1	
11	0125925	SPRING-Depth Control	1	
12	0125923	SPRING-Angle Adjusting	1	
13	0125926	GRIP-Angle Adjusting	1	
14	0125914	LEVER-Angle Adjusting	1	
15	0125939	CLAMP-Angle	1	
16	81245	NUT-Hex	1	
17	84010	WASHER-Flat	2	
18	0125915	LEVER-Clutch	1	
19	81218	NUT	1	
20	82335	SCREW-Sems Hex Hd.	2	
21	0125911	BUSHING-Nylon (3/4")	1	
22	0125909	COMB-Angle Adjusting	1	
23	JA993958	WHEEL & TIRE	2	
24	84091	WASHER-Flat	7	
25	0125901	FRAME-Main	1	
26	80087	SCREW-Cap Hex Hd.	4	
27	0125927	RETAINER- Bushing	2	
28	0125902	BRACKET-Depth Control	1	
29	0125905	AXLE-Rear	1	
30	0125922	SPRING-Axle	1	

Ref #	Part #	Description	Qty	Context Note
31	80085	SCREW (5/16-18 X 1")	4	
32	81235	NUT-Hex w/Washer	8	
33	0125921	BUSHING-Nylon	2	
34	0125903	BRACKET-Front Wheel	1	
35	81245	NUT-Hex	2	
36	0125908	SPACER-Axle	1	
37	01252	WHEEL-Front	1	
38	A400422	SCREW (1/2-13 X 4")	1	
39	JA460312	PIN-Cotter Hair	2	
40	0125938	PULLEY-Engine	1	
41	82390	SCREW-Set (5/16-18 X 3/8")	1	
42	0125940	SCREW (5/16-24 X 1/2")	1	
43	82474	SCREW-Thread Rolling (8-32 X 1/2")	3	
44	A33055	TERMINAL HIGH TENS(P TBO	1	
45		ENGINE	1	For engine replacement parts, locate the engine brand name, model number and type number and consult the appropriate dealer in your area.
46	06472	DEFLECTOR	1	
47	JA445768	NUT (1/4-20)	7	