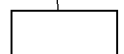
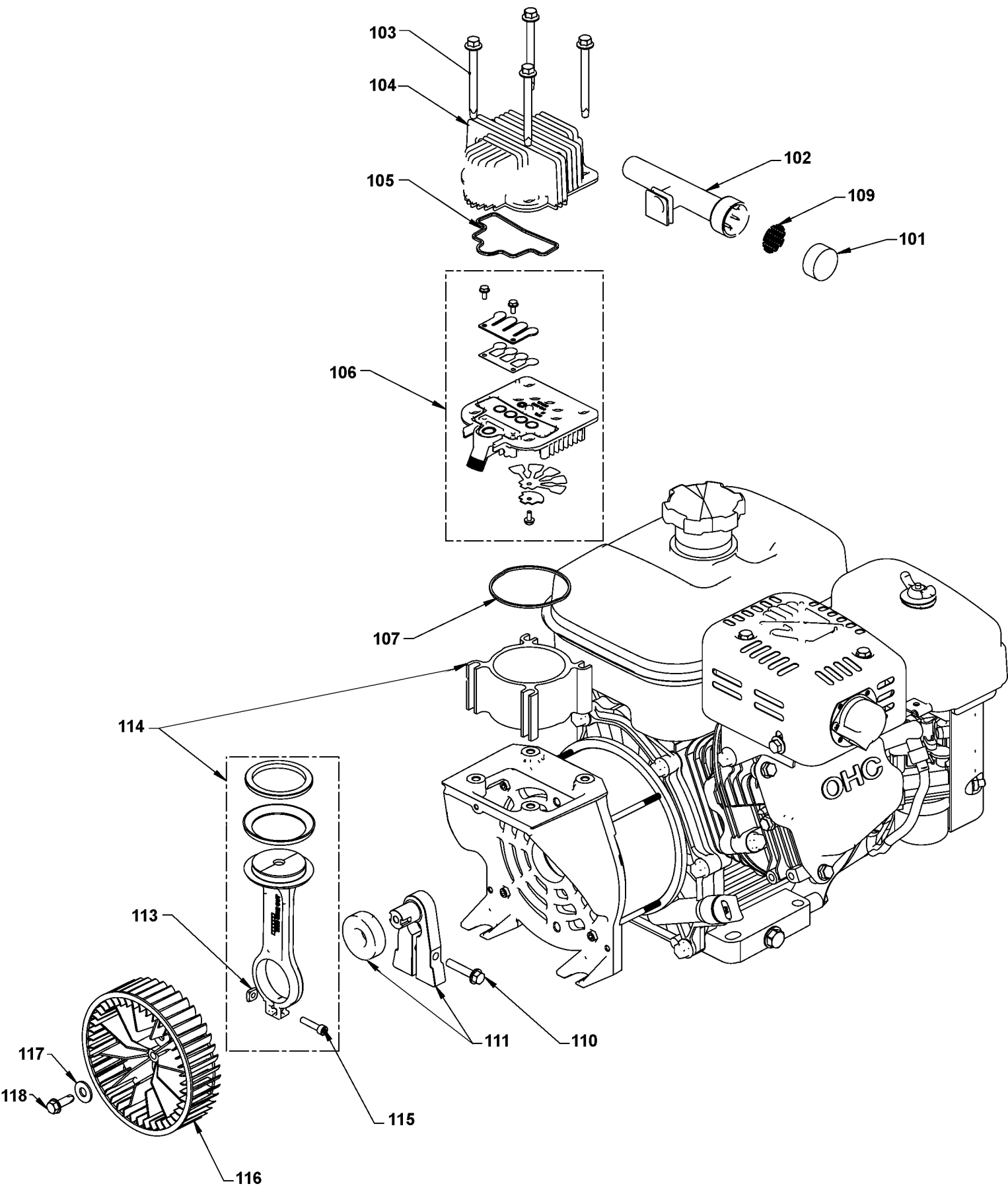


821





## Parts List for DXCMTA5090412 Type 0

Item Number	Part Number	Description	Qty Required
1	5140186-86	THROTTLE CONTROL	1
3	5140186-87	SCREW	1
4	5140186-88	SCREW	3
5	5140186-89	SHROUD RIGHT	1
6	5140186-90	SCREW	1
7	5140186-91	SCREW	2
8	5140186-92	SHROUD LEFT	1
9	5140119-17	NUT	2
10	5140186-93	TRANSFER TUBE	1
11	5140119-21	CHECK VALVE	1
12	5140172-96	VALVE	1
13	5140177-65	NIPPLE	3
14	5140186-94	CROSS	1
15	5140186-95	BUSHING	1
16	5140121-23	GAUGE	2
17	5140119-61	QUICK CONNECT	1
18	5140121-24	REGULATOR	1
19	5140119-64	ELBOW	2
20	5140119-66	COMPRESSION NUT	2
21	5140186-96	BLEEDER TUBE	1
22	5140186-97	UNLOADER	1
25	5140186-99	CAUTION LABEL	1
26	5140187-00	PAD	4
27	5140172-79	SCREW	4
28	5140119-09	PET COCK	2
29	5140187-03	WARNING LABEL	2
30	5140153-27	NUT	4

## Parts List for DXCMTA5090412 Type 0

Item Number	Part Number	Description	Qty Required
32	5140187-05	BOLT	4
33	5140187-06	TUBE	1
34	5140187-07	SCREW	1
35	5140153-34	WASHER	4
101	5140187-08	FILTER	1
102	5140187-09	INTAKE	1
103	5140187-10	SCREW	4
104	5140187-11	HEAD	1
105	5140187-12	GASKET	1
106	5140187-13	VALVE PLATE ASSY.	1
107	5140187-14	O-RING	1
109	5140187-15	FILTER SCREEN	1
110	5140187-16	SCREW	1
111	5140187-17	CRANKSHAFT KIT	1
113	5140187-18	NUT	1
114	5140187-19	PISTON/CYLINDER KIT	1
115	5140187-20	SCREW	1
116	5140187-21	PLASTIC FAN	1
117	5140187-22	WASHER	1
118	5140187-23	SCREW	1
821	5140177-52	WARNING LABEL	1
821	5140186-98	CAUTION LABEL	1