

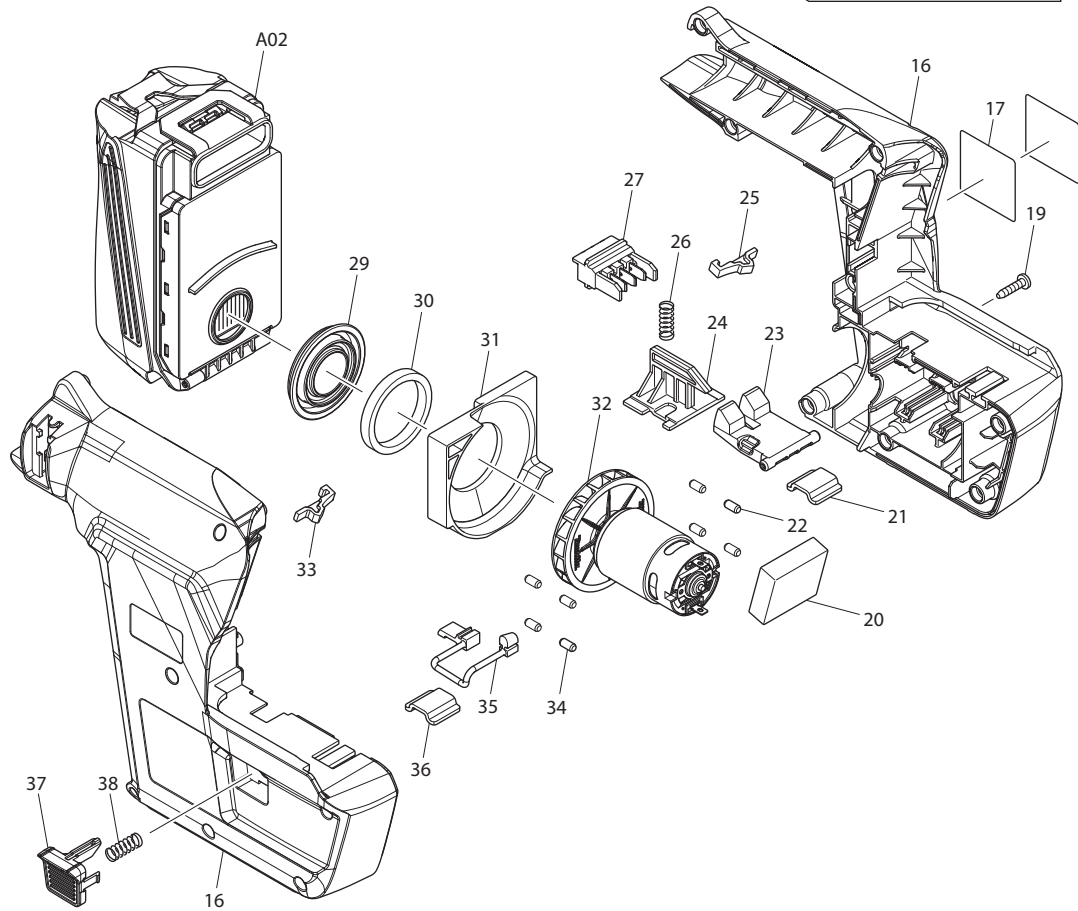
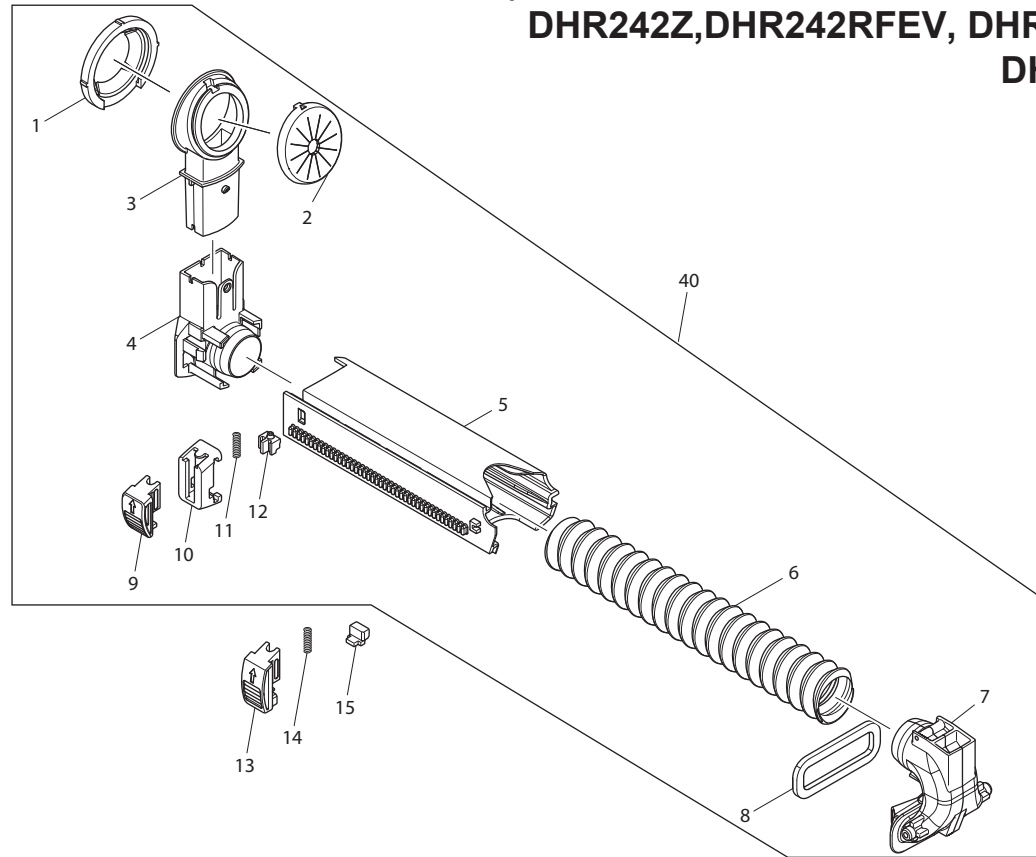


04 - 2012

DX01

### DUST EXTRACTION SYSTEM

(For Model LXRH01, LXRH011, LXRH01Z,  
DHR242Z, DHR242RFEV, DHR242RMEV,  
DHR242ZVX)



Item No.	Part No.	Description	Qty	Unit
1	1	424480-0 * FITTING RUBBER	1	PC.
	2	424722-2 * FITTING RUBBER	1	PC.
2		424474-5 SEALING CAP	1	PC.
3	1	453136-8 * COLLECTOR	1	PC.
	2	455736-0 * COLLECTOR	1	PC.
4	1	453134-2 * COLLECTOR BASE A	1	PC.
	2	454578-9 * COLLECTOR BASE A	1	PC.
5	1	453137-6 * SLIDE PIPE	1	PC.
	2	454580-2 * SLIDE PIPE	1	PC.
6		245038-0 HOSE 30	1	PC.
7	1	453138-4 INNER PIPE	1	PC.
	2	456017-5 INNER PIPE	1	PC.
8		423425-5 SPONGE SHEET B	1	PC.
9		453141-5 SLIDE LEVER A	1	PC.
10		453140-7 STOPPER BASE	1	PC.
11		234227-2 COMPRESSION SPRING 3	1	PC.
12		453702-1 RACK A	1	PC.
13		453142-3 SLIDE LEVER B	1	PC.
14		234227-2 COMPRESSION SPRING 3	1	PC.
15		453139-2 RACK B	1	PC.
16		187304-8 HOUSING SET	1	PC.
17		896805-2 NAME PLATE F/DX01	1	PC.
18		890995-3 CLEAR LABEL	1	PC.
19		266326-2 TAPPING SCREW 4X18	8	PC.
20		638956-3 CONTROLLER UNIT	1	PC.
	INC.	654069-2 RECEPTACLE	2	PC.
	INC.	654281-4 RECEPTACLE	3	PC.
21		346539-2 GUIDE PLATE	1	PC.
22		263025-7 RUBBER PIN 4	4	PC.
23		453146-5 HOOK	1	PC.
24		453144-9 LIFT PLATE	1	PC.
25		424475-3 CUSHION	1	PC.
26		234228-0 COMPRESSION SPRING 6	1	PC.
27		638931-9 CONNECTOR	1	PC.
29		453171-6 FILTER PLATE	1	PC.
30		423427-1 SPONGE SHEET C	1	PC.
31		453143-1 BAFFLE PLATE	1	PC.
32		141163-4 MOTOR COMPLETE	1	PC.
33		424475-3 CUSHION	1	PC.
34		263025-7 RUBBER PIN 4	4	PC.
35		424486-8 EARTH RUBBER	1	PC.
36		346539-2 GUIDE PLATE	1	PC.
37		453145-7 PUSH BUTTON	1	PC.
38		234228-0 COMPRESSION SPRING 6	1	PC.
40	1	135512-5 * SLIDE PIPE ASSEMBLY	1	PC.
	INC.	* Item No. 1-12		
	2	135565-4 * SLIDE PIPE ASSEMBLY	1	PC.
	INC.	* Item No. 1-12		
	3	135671-5 SLIDE PIPE ASSEMBLY	1	PC.
	INC.	Item No. 1-12		
	4	135696-9 SLIDE PIPE ASSEMBLY	1	PC.
	INC.	Item No. 1-12		
C01		872975-1 CARTON F/DX01	1	PC.

Item No.	Part No.	Description	Qty	Unit
<b><u>ACCESSORIES</u></b>				
A01	424474-5	SEALING CAP	5	PC.
A02	196162-1	DUST CASE SET	1	PC.
	INC. 196164-7	FILTER SET	1	PC.
	INC. 453150-4	FILTER COVER	1	PC.