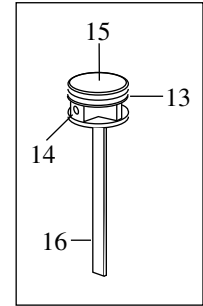
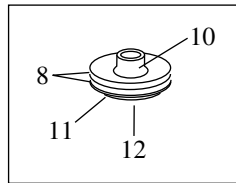


58
CPL DRIVER PISTON

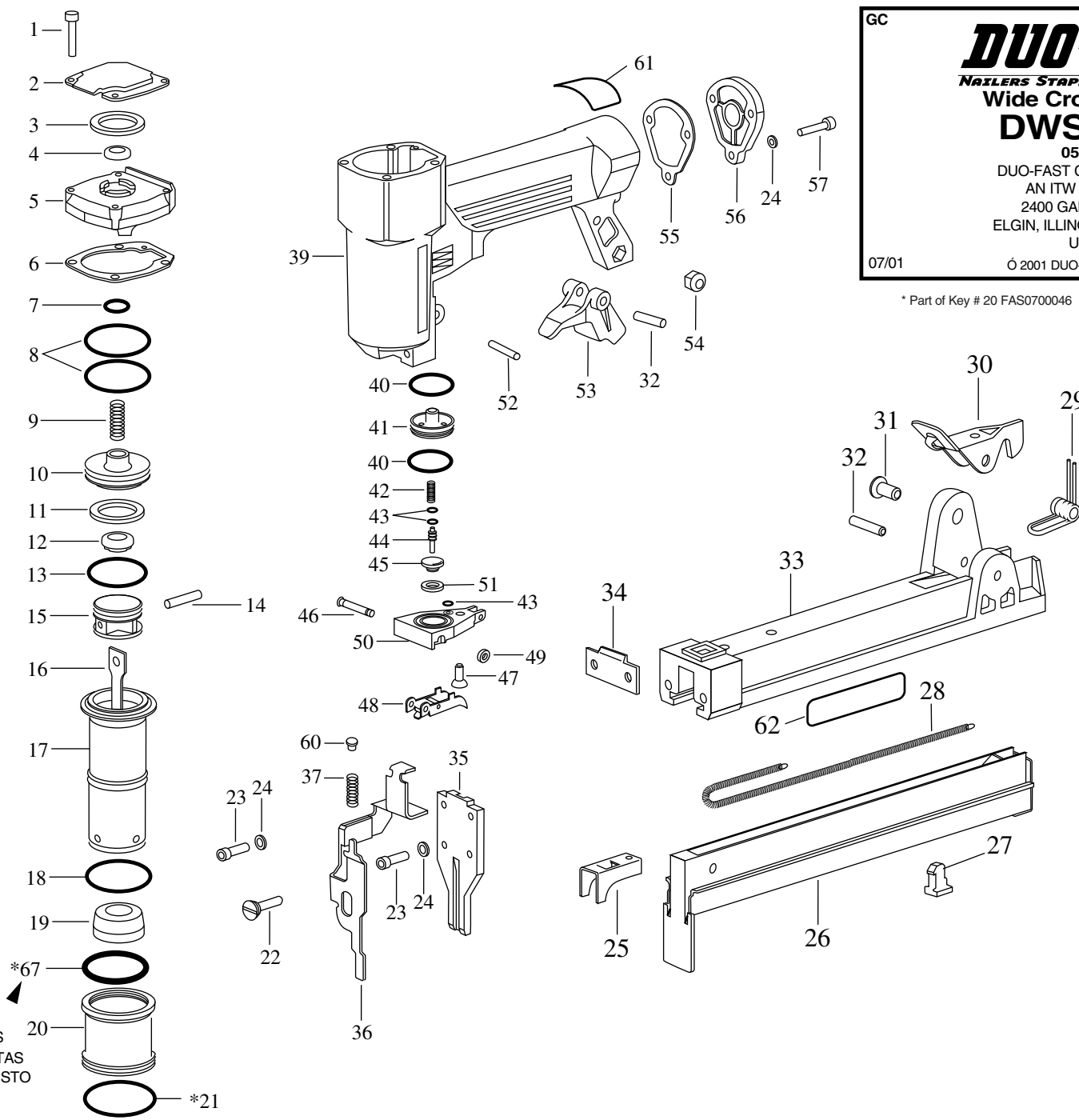


59
CPL VALVE PISTON



▲ DENOTES CHANGE

TOOLS MUST BE REPAIRED ONLY WITH FACTORY AUTHORIZED PARTS
SIEMPRE REPARA LAS HERRAMIENTAS SOLAMENTE CON PARTES DE REPUESTO AUTORIZADAS POR DUO-FAST



GC 2

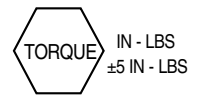
DUO-FAST
NAILERS STAPLERS FASTENERS

Wide Crown Stapler
DWS-6532

0520676
DUO-FAST CORPORATION
AN ITW COMPANY
2400 GALVIN DRIVE
ELGIN, ILLINOIS 60123-7883
U.S.A.

07/01 © 2001 DUO-FAST Corporation DWS-186-6532

* Part of Key # 20 FAS0700046



DWS-6532

KEY NO.	PART NO.	QUANTITY	DESCRIPTION	UNIQUE #
1	FAS0666027	4	SCREW M4x25	0535039
2	FAS0128073	1	COVER	0535112
3	FAS0286013	1	SILENCER	0535120
4	FAS0070052	1	BUFFER	0535138
5	FAS0140122	1	CPL. CAP	0535153
6	FAS0166030	1	GASKET	0535146
7	FAS0622135	1	O-RING 402.039	0534982
8	FAS0622140	2	O-RING 2125	0534990
9	FAS0200174	1	SPRING	0535187
10	FAS0300532	1	VALVE PISTON	0535237
11	FAS0166029	1	GASKET	0535245
12	FAS0070051	1	BUFFER	0535252
13	FAS0622119	1	O-RING 130	0535005
14	FAS0662064	1	PIN 4x24	0535260
15	FAS0300524	1	DRIVER PISTON	0535294
16	FAS0186468	1	DRIVER 65 DF(25) R20P	0536524
17	FAS0104112	1	CYLINDER F20P C.T.	0535609
18	FAS0622039	1	O-RING 2112	0535013
19	FAS0280046.1	1	BUMPER	0535328
20	FAS0700046	1	CYLINDER RING KIT	1012003
*21	FAS0622041	1	O-RING 2137	0535021
22	FAS0544037	1	SPECIAL SCREW	0535625
23	FAS0666024	3	SCREW M4x18	0535096
24	FAS0660004	6	WASHER 4	0535369
25	FAS0410190	1	PUSHER 65 DF(25)	0536532
26	FAS0146113	1	SLIDER ASSY. 65 DF(25)	0536540
27	FAS0070048	1	BUFFER	0535393
28	FAS0200033	1	SPRING (WC)	0536102
29	FAS0200145	1	SPRING	0535229
30	FAS0184061	1	CATCH (WC)	0536185
31	FAS0668032	1	SCREW M5x14	0535088
32	FAS0662019	1	PIN 4x26	0535278

KEY NO.	PART NO.	QUANTITY	DESCRIPTION	UNIQUE #
33	FAS0172345	1	LOADER 50/64/84(25)	0536169
34	FAS0080136	1	DRIVER REST	0535468
35	FAS0168376	1	DRIVER PLATE 65 DF(25) WS	0536557
36	FAS0400150	1	SAFETY	0536490
37	FAS0200178	1	SPRING	0535203
38	FAS0128074	1	SAFETY COVER	535484
39	FAS0138312	1	BODY R20P	0535799
40	FAS0622122	2	O-RING 230.708	0534917
41	FAS0140133	1	TRIGGER VALVE	0535500
42	FAS0200180	1	SPRING	0535211
43	FAS0622094	3	O-RING 2007	0534958
44	FAS0288245	1	STUD C/T	0535518
45	FAS0090036	1	BUSHING	0535526
46	FAS0288172	1	PIN	0535807
47	FAS0667022	1	SCREW M4x12 AUTOBLOCK	0535104
48	FAS0164076	1	CLP. TRIGGER C.T.	0535534
49	FAS0348012	1	STOP RING	0535542
50	FAS0294102	1	TRIGGER PLATE	0535559
51	FAS0166026	1	GASKET	0535161
52	FAS0662042	1	PIN 3x26	0535286
53	FAS0184062	1	QUICK RELEASE CATCH	0535567
54	FAS0650005	1	SELF-LOCKING NUT M5	0535575
55	FAS0166028	1	GASKET	0535179
56	FAS0154027	1	MODULAR ADAPTER	0535583
57	FAS0666024	3	SCREW M4x18	0535096
58	FAS0300574	1	CPL. DRIVER/PISTON 65 DF(25)	0536565
59	FAS0300420	1	CPL. VALVE PISTON	0535641
60	FAS0288254	1	STUD	0537266
61	XH-108-75	1	WARNING LABEL	0337444
62	XH-108-52	1	CYCLE LABEL	0529610
*63	FAS0166034	1	SEAL	1011902

* PART OF KEY # 20 FAS0700046

* = NEW PART > = PART CHANGE

**7/01 (2) GC
DWS-6532**