

11-18 IN-LBS OF TORQUE (13-21 KG-CM) 2 PLACES

79-89 IN-LBS OF TORQUE (92-103 KG-CM) 4 PLACES

14

13

12

11

10

9

8

7

6

5

4

3

2

1

21

20

19

18

17

16

15

14

13

12

11

10

9

8

7

6

5

4

3

2

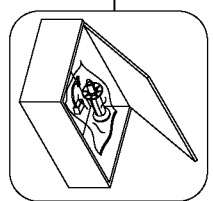
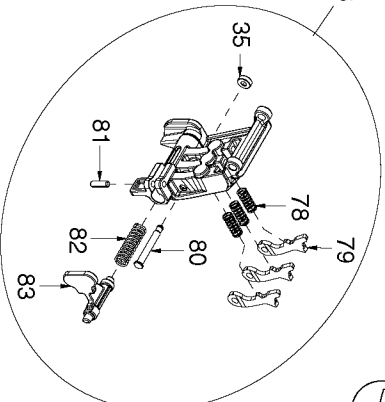
1

18-25 IN-LBS OF TORQUE (21-29 KG-CM)

11-18 IN-LBS OF TORQUE (13-21 KG-CM)

18-25 IN-LBS OF TORQUE (21-29 KG-CM)

145-155 IN-LBS OF TORQUE (167-178 KG-CM) 4 PLACES



Parts List for DWFP12658 Type 1

Item Number	Part Number	Description	Qty Required
1	9R195700	SCREW, SFHCS, M4X10	2
2	9R195667	DEFLECTOR-EXHAUST	1
3	9R195071	SOCKET HEAD CAP SCRE	4
4	9R195668	WEAR PLATE	2
5	9R195669	WEAR GUIDE	2
6	9R195653	FRAME CAP	1
7	9R195698	GASKET, FRAME/CAP	1
8	9R195037	HEAD VALVE SEAL	1
9	180532	SPRING-HEAD VALVE	1
10	9R184442	O-RING	1
11	850605	O-RING-1.925X.103-NB	1
12	9R195623	HEAD VALVE	1
13	9R184443	O-RING	1
14	9R184444	O-RING	1
15	9R195039	O-RING	1
16	9R195041	PISTON DRIVER ASSY.	1
17	9R195044	COLLAR	1
18	9R184446	O-RING	1
19	9R184448	O-RING	1
20	9R195045	CYLINDER SLEEVE	1
21	105816	O-RING-1.674X.103	1
22	9R195651	FRAME, OVERMOLD	1
23	9R195528	BUMPER	1
24	9R195050	GASKET	1
25	MHE5080-100	NUT-NYLON M5X.80	2
26	9R184456	FLAT WASHER	2
27	9R195010	NOSE-MACHINING	1

Parts List for DWFP12658 Type 1

Item Number	Part Number	Description	Qty Required
28	9R195005	FEED PAWL	1
29	9R195052	SPRING GUARD	1
30	9R195545	SOCKET HEAD CAP SCRE	4
31	9R195027	ADJUSTING SCREW	1
32	9R195051	CONTACT ARM SPRING	1
33	9R195007	CONTACT ARM ASSY.	1
34	9R184457	E-RING	1
35	N12112	HINGE PIN RETAINER	4
36	9R195059	DOOR ASSEMBLY	1
37	9R195053	DOOR PIVOT PIN	1
38	9R184447	O-RING	1
39	149882	PIN-CHECK PAWL	1
40	9R195011	FEED PISTON	1
41	88998	O-RING	1
42	149859	SPRING-FEED PAWL	1
43	149887	SPRING-FEED PISTON	1
44	9R195004	FEED PISTON STOP	1
45	9R195008	SPRING COLLAR	1
46	9R184453	C-RING	1
47	184507	PIN-MODE SWITCH	1
48	9R188850	MODE SPRING	1
49	184519	PIN-TRIGGER LOCK	1
50	9R195625	O-RING	2
51	MSC5080-22	SCREW-SHCS-M5X0.8X22	1
52	9R195026	BUSHING	2
53	850242	O-RING-1.799X.103	1
54	9R195677	END CAP	1

Parts List for DWFP12658 Type 1

Item Number	Part Number	Description	Qty Required
55	180514	GUIDE-UPPER TRIP	1
56	180513	SPRING	1
57	180510	ASSEMBLY-UPPER CONTA	1
58	9R195663	ADJUSTING KNOB	1
59	9R195049	CONTACT ARM GUIDE	1
60	TVA15	TRIGGER VALVE	1
61	9R195767	TRIGGER SPRING	1
62	174345	PIN SPRING	3
63	180475	PIN-SPRING-M3X20MM	2
64	184513	ASSEMBLY-TRIGGER	1
65	184508	BUSHING	1
66	9R195079	BUTTON-MODE SWITCH	1
67	180484	SCREW-SET-M3X8MM	1
68	9R195699	TRIGGER LOCK BUTTON	1
69	9R195058	MAGAZINE ASSEMBLY	1
70	MSC5080-20	SCREW-SOC HD. CAP M5	1
71	184432	COVER	1
72	9R195624	QUICK CONNECT	1
73	120927	LABEL-SENSOR SMALL (1
74	9R195849	DEWALT LABEL	2
75	9R195636	WARNING LABEL	1
76	9R195780	WARNING LABEL (ENG)	1
77	9R195778	LABEL, MODEL	1
78	9R188713	SPRING	3
79	9R195056	CHECK PAWL	1
80	9R195033	CHECK PAWL PIN	1
81	MPG030010	PIN-ROLL-3MM X 10MM	1

Parts List for DWFP12658 Type 1

Item Number	Part Number	Description	Qty Required
82	9R191796	DOOR SPRING	1
83	9R195057	DOOR LATCH	1
876	DWFP12658-DK	DRIVER KIT	1
876	DWFP12658-OK	OVERHAUL KIT	1