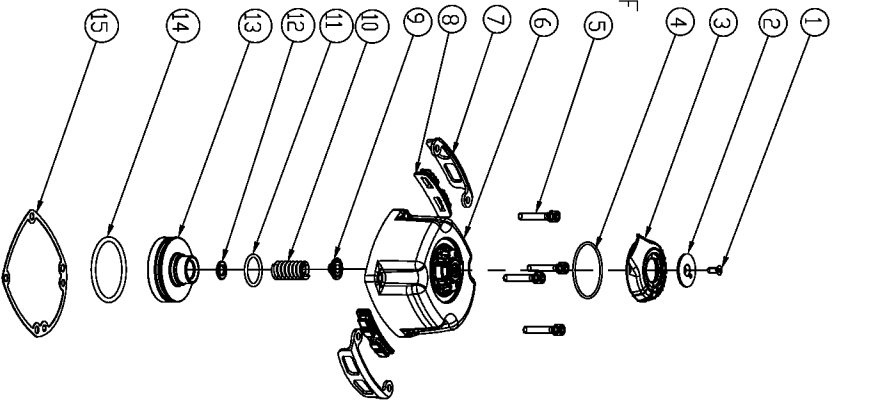
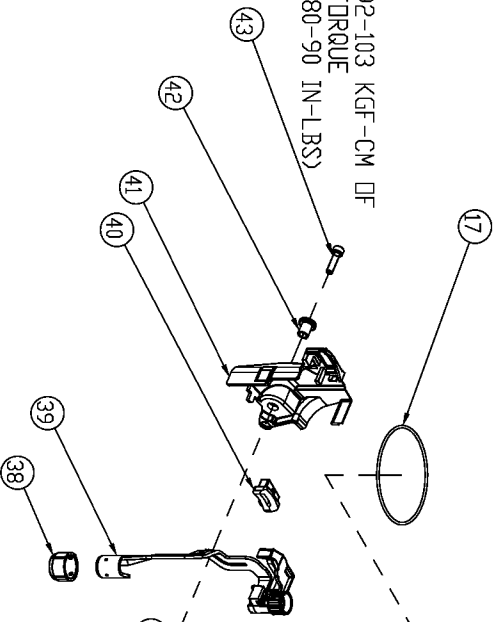


34-52 KGF-CM DF
TORQUE
(30-45 IN-LBS)

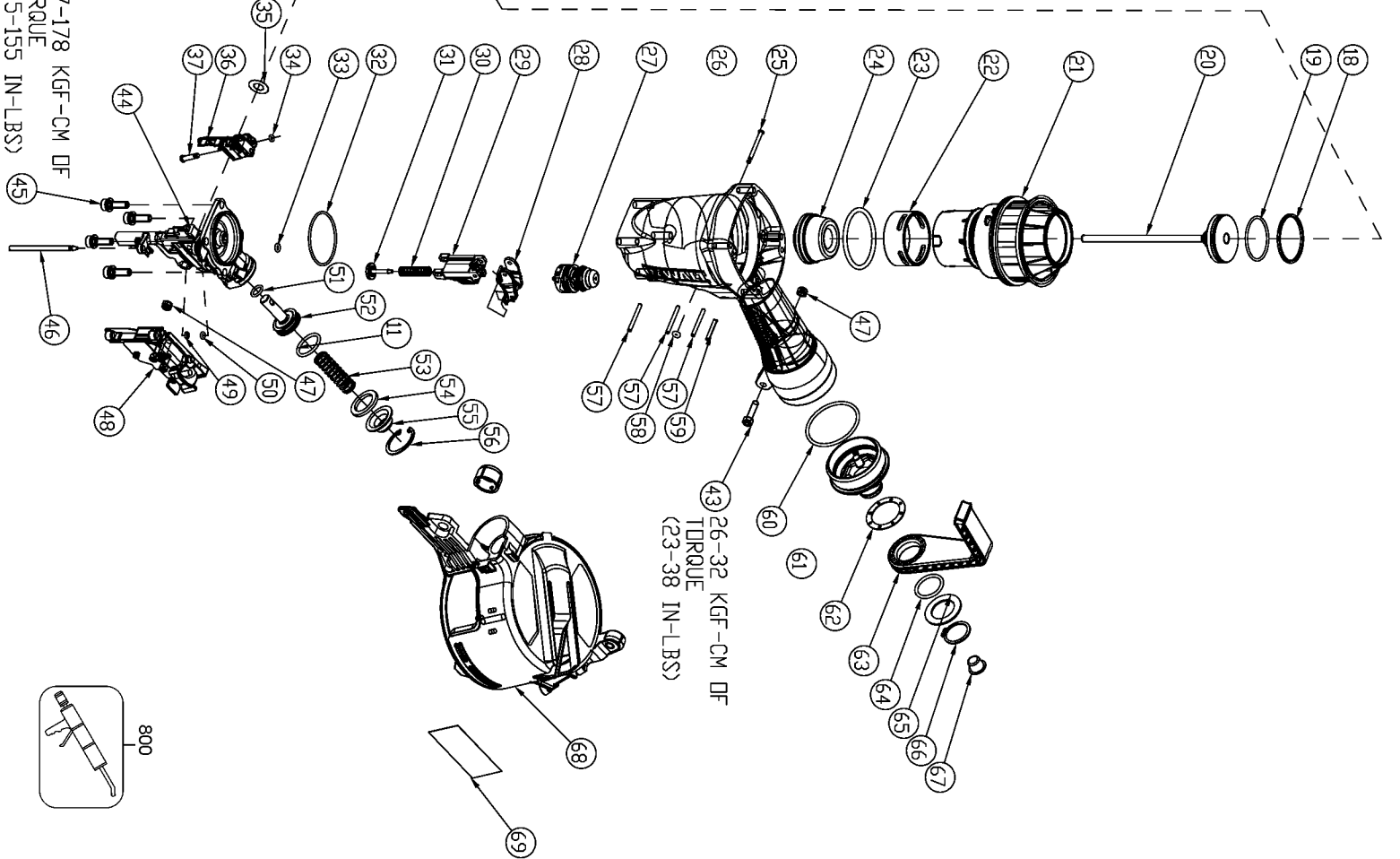
92-103 KGF-CM DF
TORQUE
(80-90 IN-LBS)



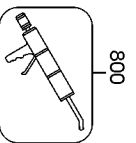
92-103 KGF-CM DF
TORQUE
(80-90 IN-LBS)



167-178 KGF-CM DF
TORQUE
(145-155 IN-LBS)



43 26-32 KGF-CM DF
TORQUE
(23-38 IN-LBS)



Parts List for DW66C-1 Type 17300 000 and Higher

Item Number	Part Number	Description	Qty Required
1	174041	SCREW-SFHCS-M4X0.7X1	1
2	174042	SPACER-EXHAUST COVER	1
3	174043	COVER-EXHAUST	1
4	174044	O-RING-41.0MMX1.78MM	1
5	175554	SCREW-SHCS-M5X0.80X3	4
6	9R207485	CAP	1
7	174046	BRACKET-RUBBER PAD	2
8	174045	PAD-RUBBER	2
9	174049	SEAL-DEFLECTOR	1
10	174051	SPRING-COMPRESSION	1
11	174053	O-RING-20.8MMX2.4MM	2
12	174052	WASHER-SPECIAL	1
13	174054	PISTON-HEAD VALVE	1
14	174055	O-RING-44.7MMX3.5MM	1
15	174050	GASKET-FRAME/DEFLECT	1
17	9R217757	O-RING 74.5X2.0MM	1
18	P2320006600	SEAL RING	1
19	S06S003600	O-RING	1
20	G0209200	DRIVER UNIT	1
21	9R213301	CYLINDER SLEEVE	1
22	9R217824	CYLINDER RING	1
23	86460	O-RING	1
24	174075	BUMPER-PISTON STOP	1
25	174062	STEPPED PIN	1
26	9R207421	FRAME	1
27	TVA6	KIT-TRIGGER VALVE	1
28	107581	ASSEMBLY-C.T.TRIGGER	1

Parts List for DW66C-1 Type 17300 000 and Higher

Item Number	Part Number	Description	Qty Required
29	9R199740	SAFETY GUIDE	1
30	P2325202662	SPRING	1
31	P2845203062	SPRING HOLDER	1
32	851483-S	O-RING	1
33	S06P000400	O-RING	1
34	S06A000500	O-RING	1
35	P3490000200	WASHER	1
36	G7600200	ASSEMBLY-FEED JAW/CO	1
37	P2325207562	SPRING PIN	1
38	9R213318	NO MAR TIP	2
39	9R207475	CONTACT ARM ASSY.	1
40	P2320005400	RUBBER PAD	1
41	P2320005500	GUARD	1
42	P2325205662	MAGAZINE SPACER	1
43	S2710520100	HEX.SOC.HD.BOLT	2
44	P2840001065	NOSE	1
45	9R195545	SOCKET HEAD CAP SCRE	4
46	P2325203662	DOOR PIVOT PIN	1
47	174065	NUT-NYLON LOCK-M5X0.	2
48	188721	ASSEMBLY-DOOR	1
49	184434	O-RING	1
50	S06P000300	O-RING	1
51	S06P000900	O-RING	1
52	P2325504962	FEED PISTON	1
53	P2325205062	SPRING	1
54	P2322005100	FEED PISTON BUMPER	1
55	P2325205262	FEED PISTON COVER	1

Parts List for DW66C-1 Type 17300 000 and Higher

Item Number	Part Number	Description	Qty Required
56	S15202800	C-RING	1
57	174071	PIN-SPRING-M3X30MM	3
58	174073	O-RING	1
59	174070	PIN-SPRING-M3X22MM	1
60	174067	O-RING-45.7MMX2.62MM	1
61	9R209578	END CAP	1
62	175582	SEAT PLATE-HOOK	1
63	175583	HOOK	1
64	175557	O-RING-21.9MMX2.62MM	1
65	175585	CAP-HOOK	1
66	175586	RING-RETAINING	1
67	86352	CAPLUG- 1/4 TAPERED	1
68	9R204213	MAGAZINE ASSEMBLY	1
69	9R209321	WARNING LABEL	1
800	100679	LUBE (1LB.CAN)	1
800	100653	LUBE (2CC)	1