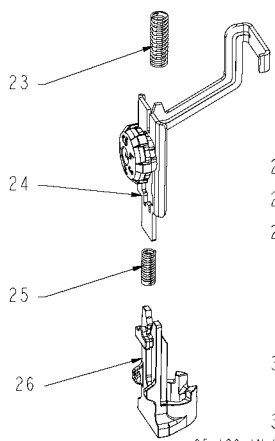
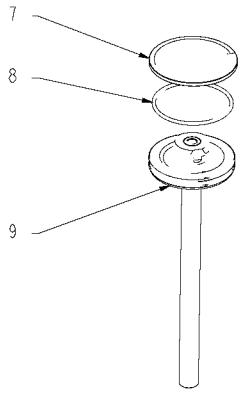
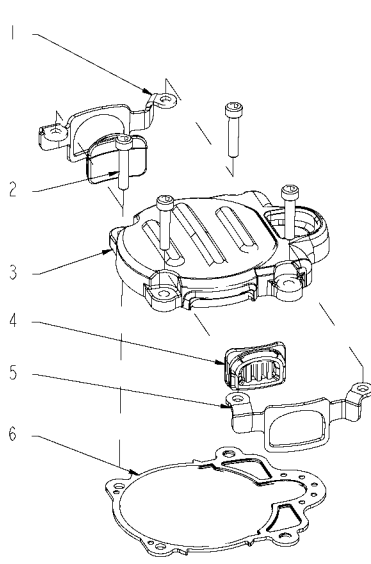
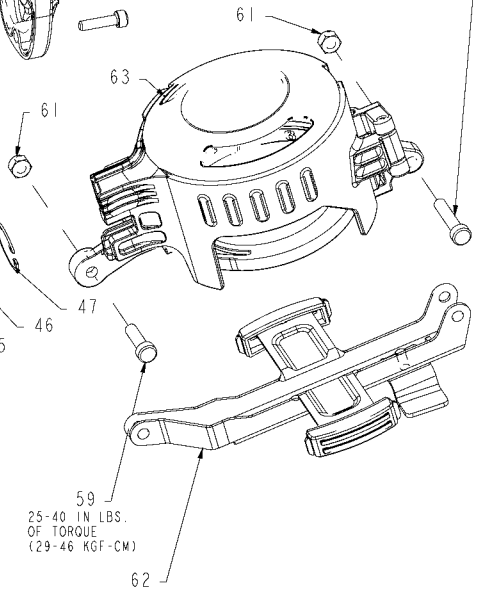
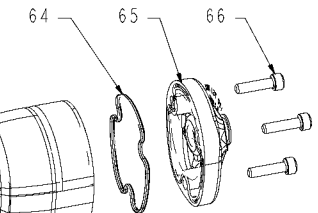
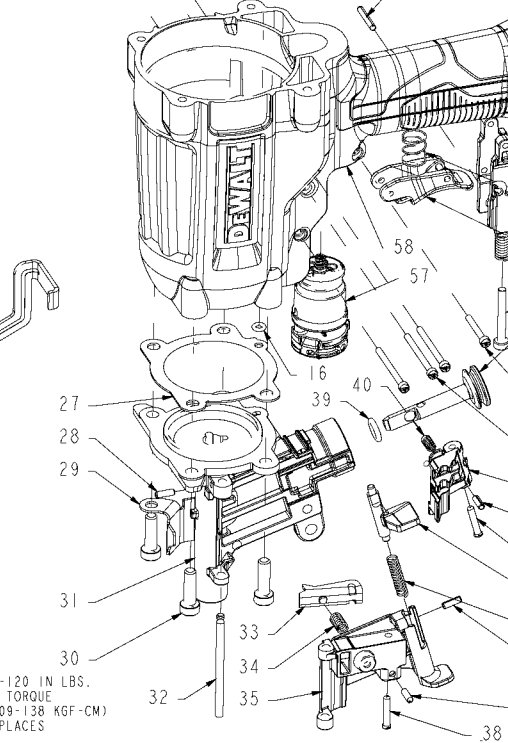
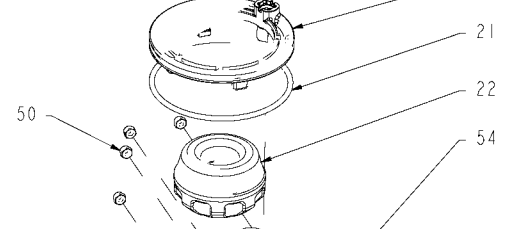
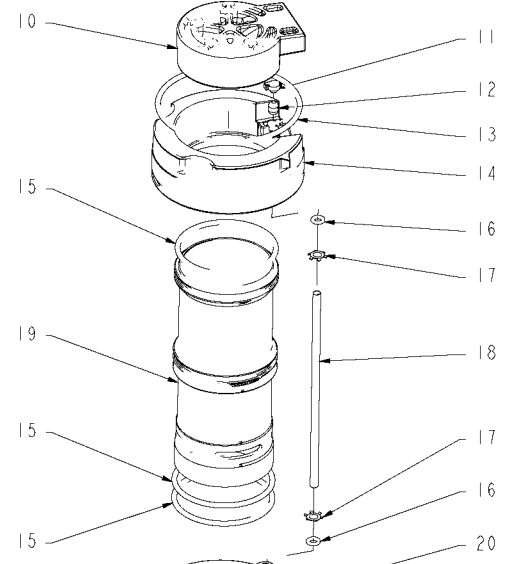


70-80 IN LBS.
OF TORQUE
(81-92 KGF-CM) 2
4 PLACES



95-120 IN LBS.
OF TORQUE
(109-138 KGF-CM) 4
PLACES



25-40 IN LBS.
OF TORQUE
(29-46 KGF-CM)

25-40 IN LBS.
OF TORQUE
(29-46 KGF-CM)

3-5 IN LBS.
OF TORQUE
(3-6 KGF-CM) 4
PLACES

Parts List for DW45RN Type 0

Item Number	Part Number	Description	Qty Required
1	9R210196	FRAME PROTECTOR RGT	1
2	MSC5080-25	SCREW-SHCS-M5X0.80X2	4
3	9R205650	CAP	1
4	9R205564	RUBBER INSERT	2
5	9R205565	FRAME PROTECTOR LEFT	1
6	9R210416	CAP GASKET	1
7	9R210198	PISTON RING	1
8	9R210354	O-RING 1.489 X .070	1
9	45RN-DK	DRIVER KIT	1
10	9R205652	UPSTOP	1
11	9R210418	CHECK VALVE PLUG	1
12	9R210417	CHECK VALVE PLUNGER	1
13	RG273710	O-RING-2.737X.103	1
14	9R205659	RESERVOIR BULKHEAD	1
15	149829	O-RING-1.862X.103 NB	3
16	9R196690	O-RING	3
17	9R210263	RETAINING WASHER	2
18	9R210262	PISTON PRESSURE TUBE	1
19	9R205651	CYLINDER	1
20	9R210186	PLENUM BULKHEAD	1
21	89672	O-RING	1
22	191777	BUMPER	1
23	9R210200	CONTACT ARM SPRING L	1
24	9R205562	CONTACT ARM ASSY.	1
25	149874	SPRING-DEPTH ADJUST	1
26	9R210195	FOOT ASSY	1
27	9R210181	NOSE GASKET	1

Parts List for DW45RN Type 0

Item Number	Part Number	Description	Qty Required
28	MPG030010	PIN-ROLL-3MM X 10MM	3
29	9R210283	CONTACT SPRING GUARD	1
30	MCS6100-20	SCREW, M6X1.00X20	4
31	9R205540	NOSE	1
32	9R210173	DOOR PIVOT PIN	1
33	9R210224	CHECK PAWL	1
34	9R210239	CHECK PAWL SPRING	1
35	9R205541	DOOR	1
36	9R205561	CANISTER LATCH	1
37	9R210171	LATCH SPRING	1
38	9R210179	CHECK PAWL PIN	1
39	149883	O-RING-.299X.103 NBR	1
40	149859	SPRING-FEED PAWL	1
41	9R205576	FEED PAWL	1
42	9R210352	FEED PISTON	1
43	88998	O-RING	1
44	149887	SPRING-FEED PISTON	1
45	149855	STOP-FEED PISTON	1
46	149853	COLLAR-SPRING	1
47	149854	RETAINING RING-INCH	1
48	9R210226	VALVE SCREW, FRONT	3
49	9R210227	VALVE SCREW, REAR	1
50	MHE3050-100	NUT-NYLON M3X.50	4
51	100387	SPRING-COMPRESSION	1
52	107581	ASSEMBLY-C.T.TRIGGER	1
53	9R205563	CONTACT GUIDE	1
54	180475	PIN-SPRING-M3X20MM	1

Parts List for DW45RN Type 0

Item Number	Part Number	Description	Qty Required
55	9R210192	CONTACT ARM SPRING U	1
56	9R210175	UPPER CONTACT ARM	1
57	45RN-VALVE	VALVE KIT	1
58	9R205577	FRAME	1
59	MSC6100-22	SCREW-SOC HD. CAP M6	1
60	MSC6100-30	SCREW-SHCS-M6X1.00X3	1
61	MHE6100-100	NUT-ESN M6X1	2
62	9R214954	SPINE ASSEMBLY	1
63	9R214953	CANISTER ASSEMBLY	1
64	149816	SEAL-END CAP	1
65	149817	CAP-END	1
66	N494651	SOC HD CAP M5 X20	3
876	45RN-VSA	VINYL SIDING AD/KIT	1
876	45RN-SEQ	SEQUENTIAL TRIGGER	1
876	45RN-RK	REBUILD KIT	1