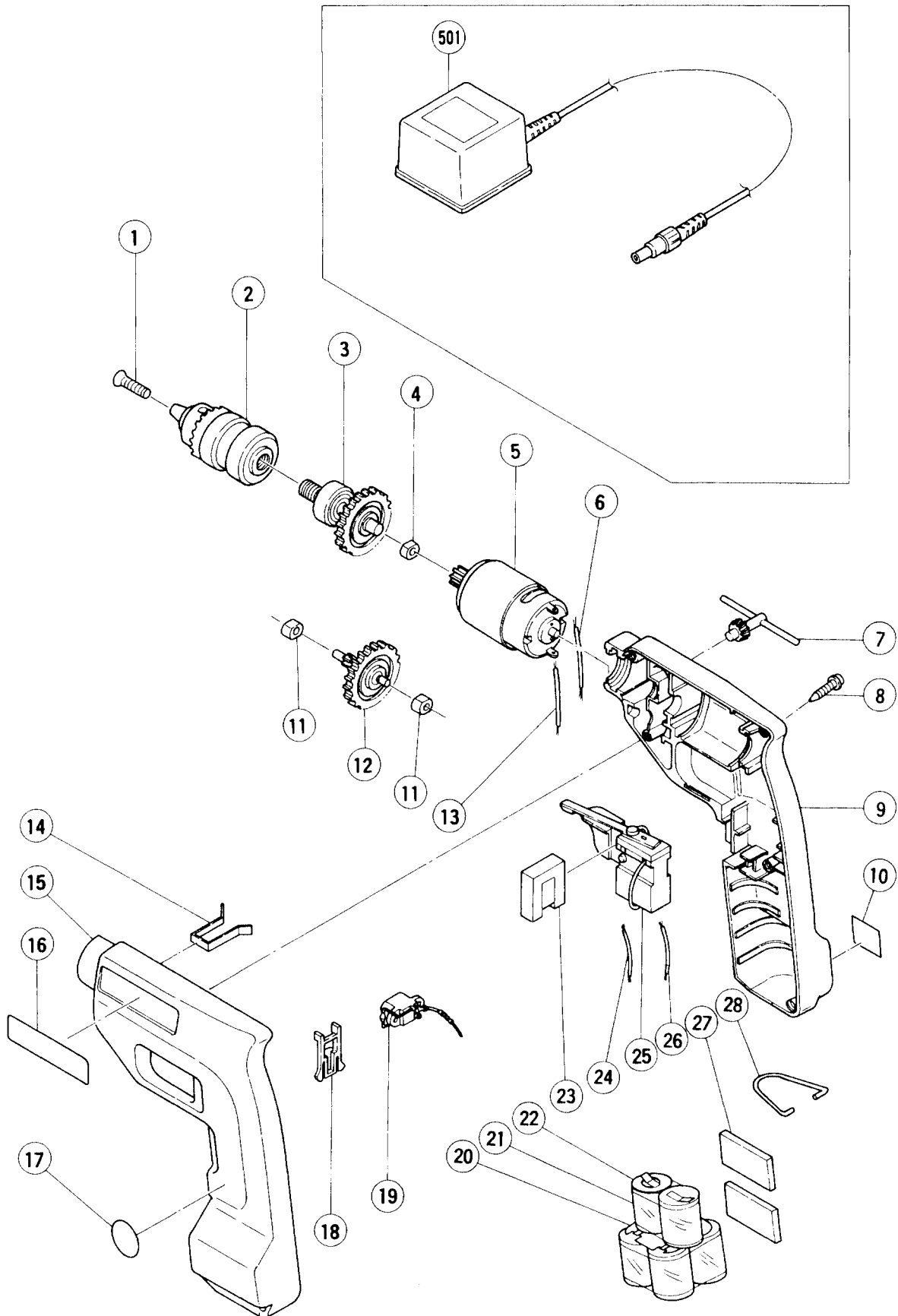


ELECTRIC TOOL PARTS LIST

■ CORDLESS DRIVER DRILL
Model DW10D

1985·9·20
DW10D(E2)



PARTS

DW10D(E2)

Item No.	Code No.	Part Name	Q'ty	Remarks
1	—	⊖ Flat Hd. Screw	1	See alternative parts
2	950255	Drill Chuck 10TLR	1	includ. 7
3	994664	Spindle	1	
4	980556	Metal	1	
5	994661	Motor	1	
6	980831	Internal Wire (B) 90L	1	Color: Red
7	980057	Chuck Wrench 10TL2	1	
8	991672	Tapping Screw D3 x 16	5	w/Washer
9	994668	Housing (B)	1	
10	—	Caution Plate	1	
11	980827	Metal D4 x 6	2	
12	994663	Second Pinion	1	
13	980832	Internal Wire (B) 40L	1	Color: Black
14	994671	Key Holder	1	
15	994667	Housing (A)	1	
16	—	Name Plate	1	
17	994666	Mark Plate	1	
18	980833	Switch Lock	1	
19	994662	Charging Connector	1	
20	994673	Plate	1	
21	994660	Battery	1	
22	994672	Fiber Washer	1	
23	980834	Seal	1	
24	994674	Internal Wire 45L	1	Color: Red
25	980830	Switch	1	
26	994675	Internal Wire 45L	1	Color: Black
27	994665	Cushion	2	
28	980838	Hook	1	

ALTERNATIVE PARTS

Item No.	Code No.	Part Name	Q'ty	Remarks
1	980836	⊖ Flat Hd. Screw (Left Hand) M5 x 20	1	for Drill Chuck 10TLR
	992077	⊖ Flat Hd. Screw (Left Hand) M5 x 16	1	for Jacobs Drill Chuck

STANDARD ACCESSORIES

Item No.	Code No.	Part Name	Q'ty	Remarks
501	—	Charger (Model UC7SA)	1	

OPTIONAL ACCESSORIES

Item No.	Code No.	Part Name	Q'ty	Remarks
601	955657	Driver Bit 3MM x 70L	1	
602	955659	Driver Bit 4MM x 70L	1	
603	955674	Driver Bit 6MM x 70L	1	
604	955670	Plus Bit No.1 x 70L	1	
605	955654	Plus Bit No.2 x 70L	1	
606	955655	Plus Bit No.3 x 70L	1	
607	994669	Case	1	
608	—	Label	1	