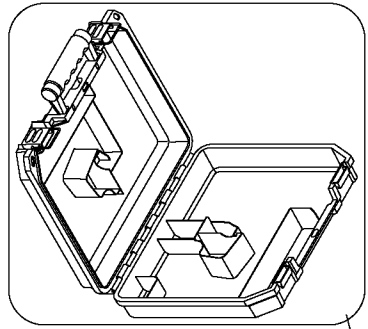
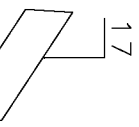
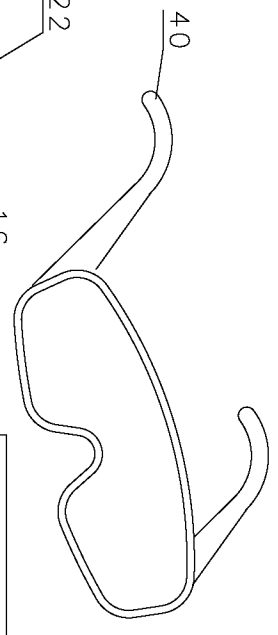


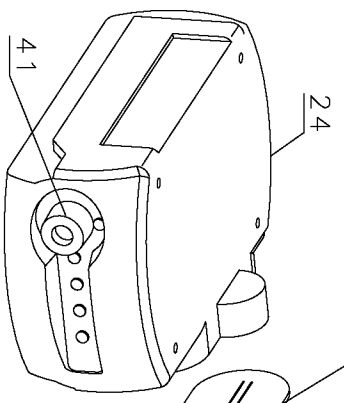
856



861



17



24

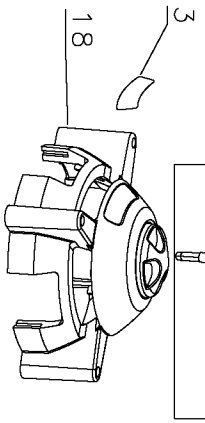
22



16

19

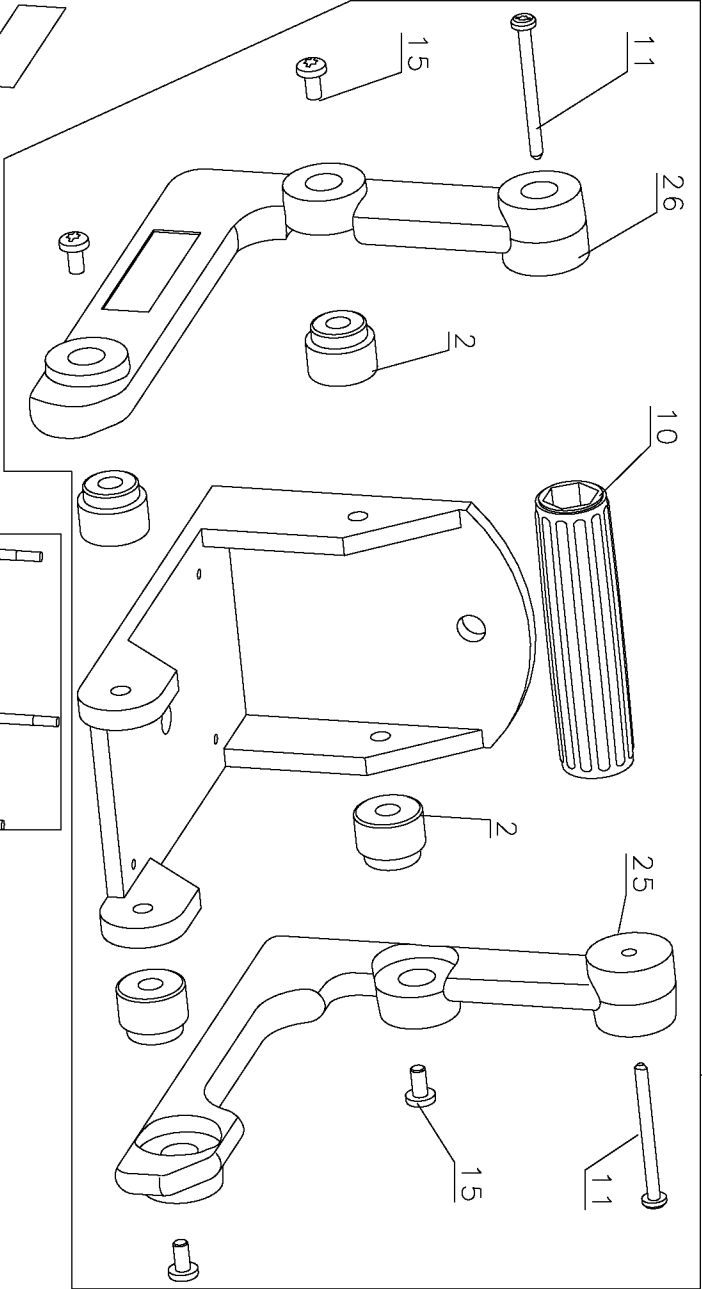
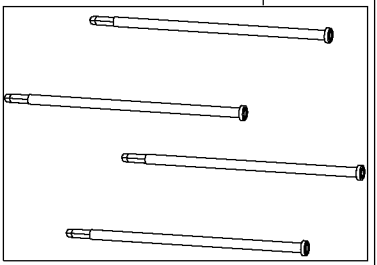
27



3

18

12



11

15

26

2

10

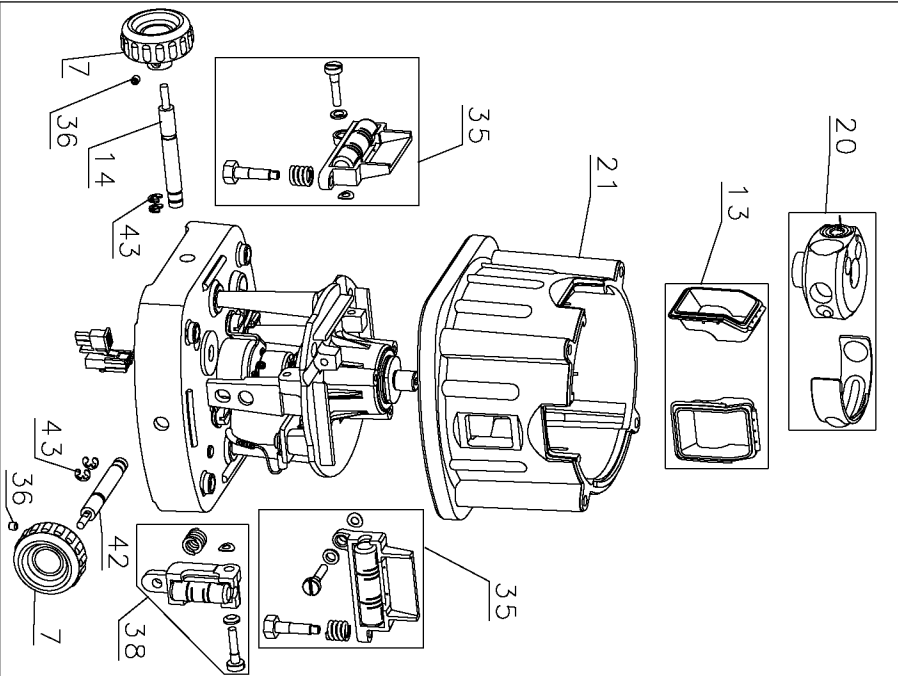
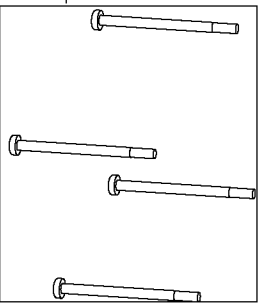
25

2

11

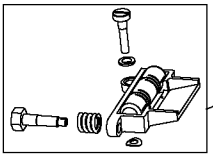
15

28



7

36



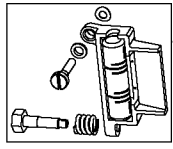
35

43

14

43

36

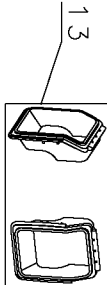


35

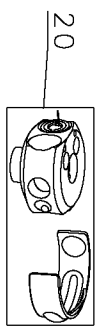
7

42

38



13



20

Parts List for DW071KE Type 1

Item Number	Part Number	Description	Qty Required
2	200-000130-001	ISOLATOR	4
3	429980-05	WARNING LABEL	1
4	429980-06	ROLLBAR LABEL	1
7	638757-00SV	ADJ. KNOB (Y)	1
10	604660-00	HANDLE	1
11	429980-26	SCREW	2
12	100-000590-001	SCREW	1
13	605608-00	WINDOW FRAME	1
14	593309-00	ADJ. SCREW SHORT	1
15	100-000489-001	SCREW	4
16	605759-00	BATTERY DOOR LABEL	1
17	604749-00	LABEL	1
18	605401-00	LASER CAP	1
19	605610-00	CALIBRATED UNIT & JAMPOT	1
20	605610-00	CALIBRATED UNIT & JAMPOT	1
21	604584-00	JAMPOT	1
22	604711-00	BATTERY DOOR	1
24	606817-00	CONTROL ASSY	1
25	604600-00	ROLL CAGE	1
26	604700-00	ROLL CAGE	1
27	604967-00	LASER FRAME	1
28	604621-00	TIE ROD SCREW	1
35	595499-00S	VIAL REPAIR KIT	1
36	593277-00	SET SCREW	2
38	595612-00	PLUMB VIAL REPL. KIT	1
40	603367-00	GLASSES	1
41	593150-00	KNOB	1

Parts List for DW071KE Type 1

Item Number	Part Number	Description	Qty Required
42	593308-00	ADJ. SCREW LONG	1
43	593310-00	RETAINING CLIP	4
856	DW0732	DIGITAL LASER DETECTOR	1
861	611621-00	KIT BOX	1