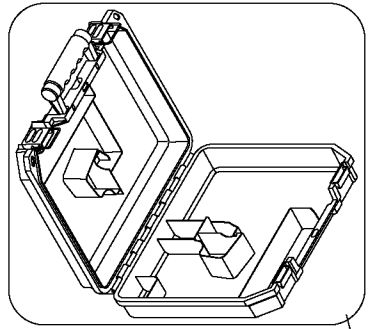
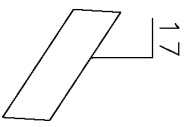


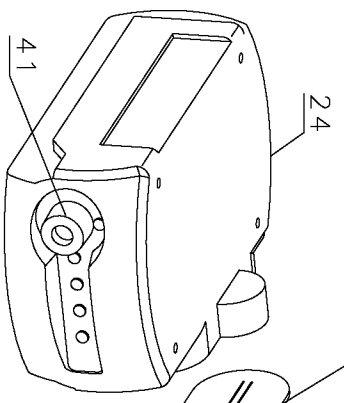
856



861

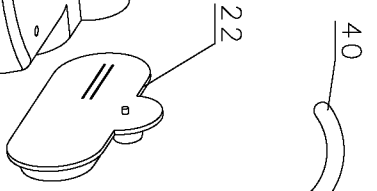


17



24

41



40

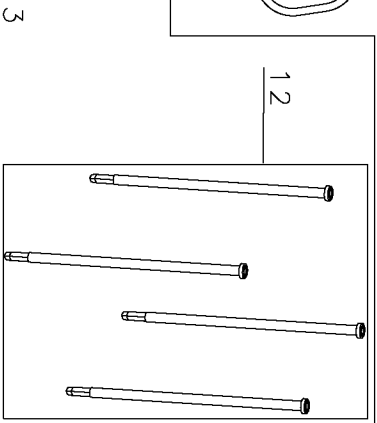
22



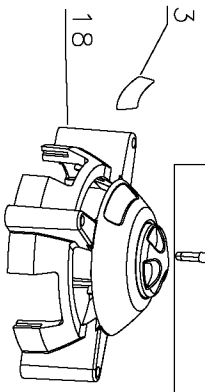
16

19

27

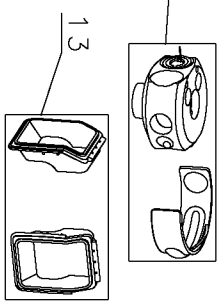


12



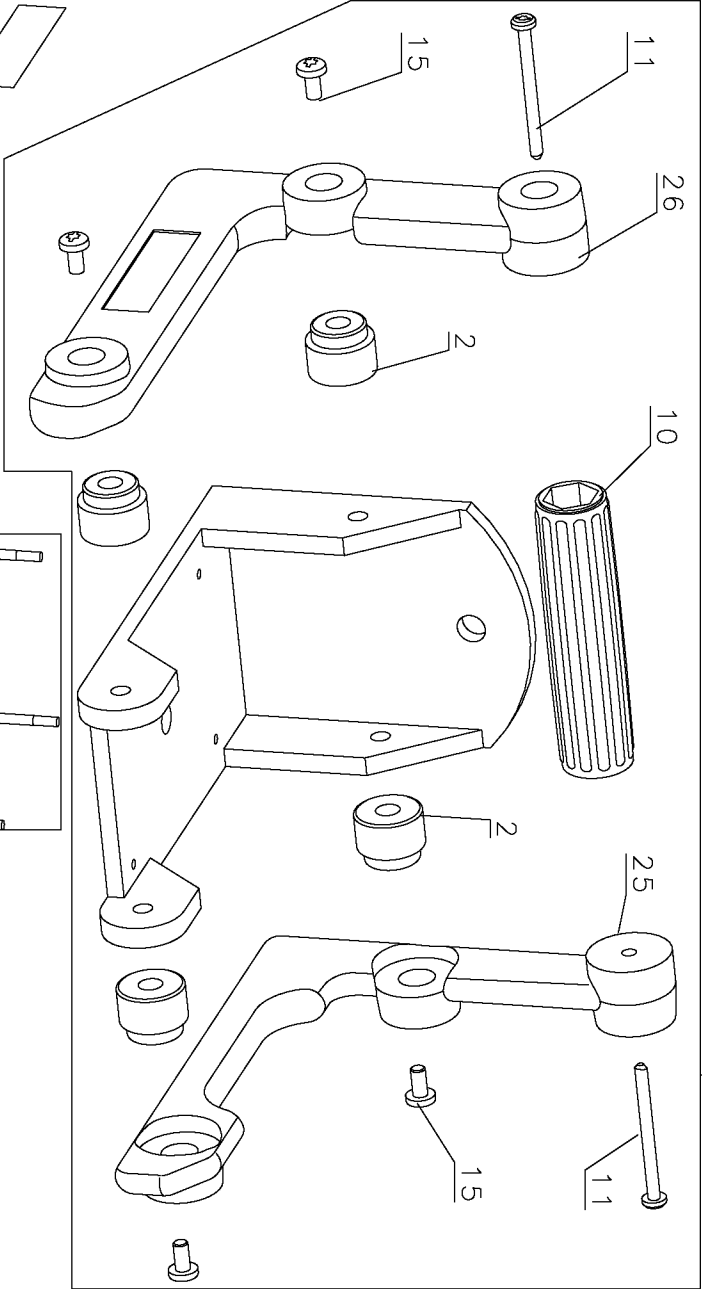
3

18



20

13



11

15

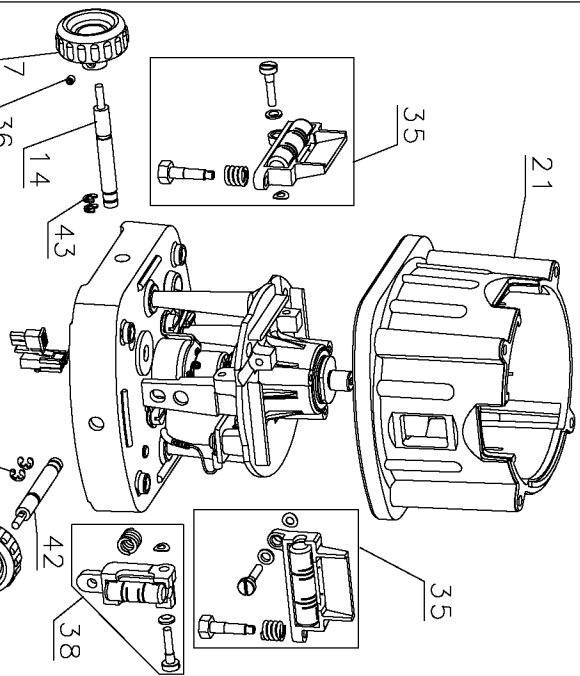
10

25

11

15

28



21

35

35

14

36

43

42

43

38

36

7

Parts List for DW071KD Type 1

Item Number	Part Number	Description	Qty Required
2	200-000130-001	ISOLATOR	4
3	429980-05	WARNING LABEL	1
4	429980-06	ROLLBAR LABEL	1
7	638757-00SV	ADJ. KNOB (Y)	1
10	604660-00	HANDLE	1
11	429980-26	SCREW	2
12	100-000590-001	SCREW	1
13	429980-28	WINDOW FRAME	1
14	593309-00	ADJ. SCREW SHORT	1
15	100-000489-001	SCREW	4
16	605759-00	BATTERY DOOR LABEL	1
17	429980-43	NAMEPLATE	1
18	605401-00	LASER CAP	1
19	605610-00	CALIBRATED UNIT & JAMPOT	1
20	605610-00	CALIBRATED UNIT & JAMPOT	1
21	604584-00	JAMPOT	1
22	604711-00	BATTERY DOOR	1
24	606817-00	CONTROL ASSY	1
25	604600-00	ROLL CAGE	1
26	604700-00	ROLL CAGE	1
27	604967-00	LASER FRAME	1
28	604621-00	TIE ROD SCREW	1
35	595499-00	VIAL REPAIR KIT	1
36	593277-00	SET SCREW	2
38	595612-00	PLUMB VIAL REPL. KIT	1
40	603367-00	GLASSES	1
41	593150-00	KNOB	1

Parts List for DW071KD Type 1

Item Number	Part Number	Description	Qty Required
42	593308-00	ADJ. SCREW LONG	1
43	593310-00	RETAINING CLIP	4
856	DW0732	DIGITAL LASER DETECTOR	1
856	595553-00	TARGET CARD	1
856	DW0730	LASER TARGET CARD	1
856	DW0710	WALL MOUNT	1
861	611621-00	KIT BOX	1