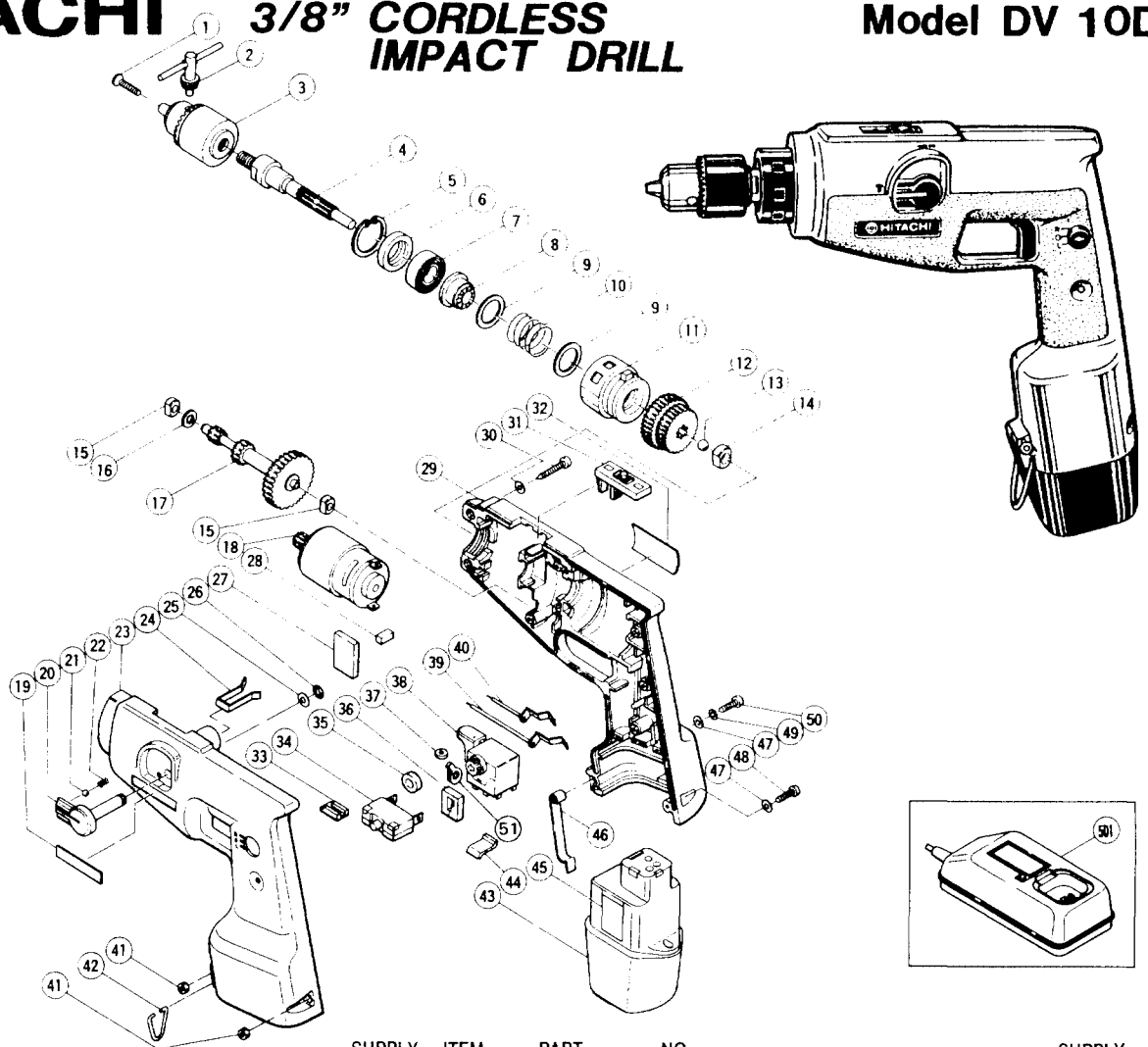




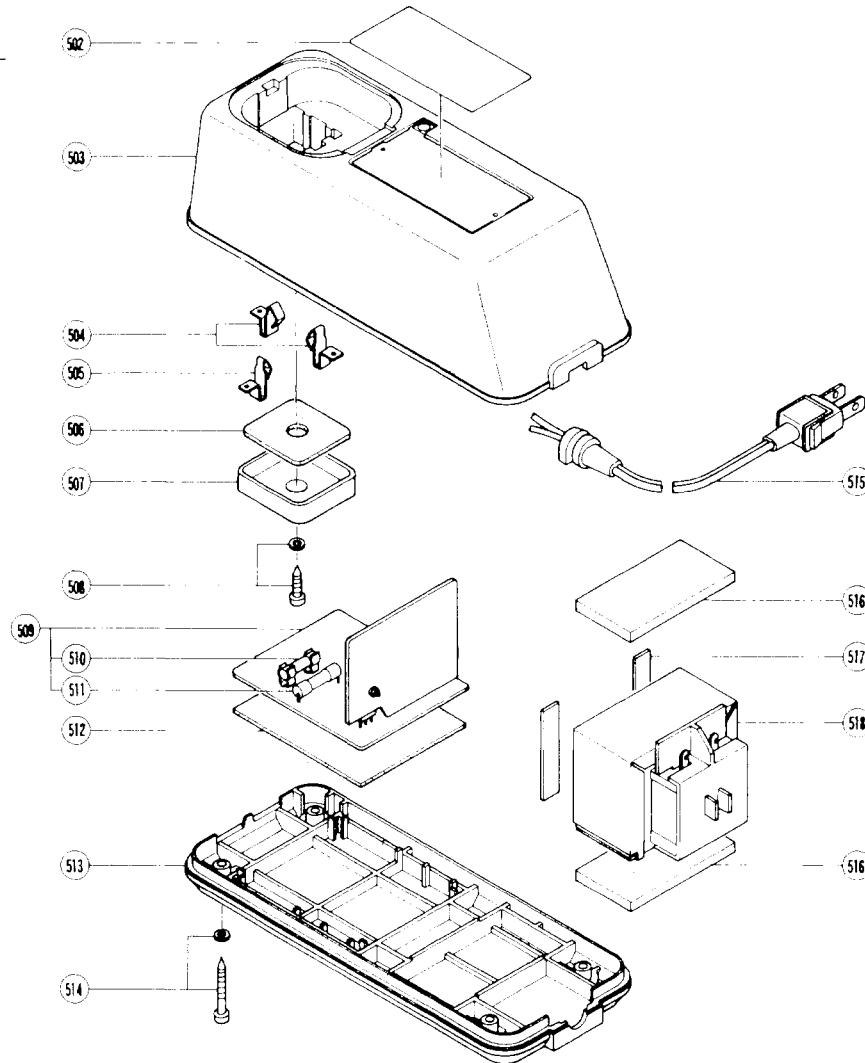
# HITACHI

## 3/8" CORDLESS IMPACT DRILL

### Model DV 10D



ITEM NO.	PART NO.	NO. USED	DESCRIPTION	SUPPLY Q'TY	ITEM NO.	PART NO.	NO. USED	DESCRIPTION	SUPPLY Q'TY
1	980836	1	Left Hand Flat Head Screw M5 till 8 / 86		26	673489	1	Retaining Ring 5mm	
1 A	992077	1	Left Hand Flat Head Screw M5×17 since 9 / 86		27	980572	1	Cushion (A)	
2	980057	1	Chuck Wrench 10TL2		28	982447	1	Oil Felt	
3	950292	1	Drill Chuck 10TLR includes Item 2		29	982441	1	Housing (B)	
4	982445	1	Spindle		30	982095	6	Tapping Screw D4×20 w / Washer	
5	948001	1	Retaining Ring Hole 32mm		31	982455	1	Shift Knob	
6	971654	1	Dust Seal		32	—	1	Name Plate	
7	6002DD	1	Ball Bearing 6002DDUCMPS2S		33	982462	2	Packing	
8	992742	1	Ratchet (B)		34	992746	1	Circuit Breaker	
10	982450	1	Spring (A)		35	957097	1	Pushing Holder	
11	992741	1	Ratchet Holder		36	982457	1	Switch Seal	
12	982444	1	Gear		37	982461	1	Seal	
13	959154	1	Steel Ball D5.556	10	38	982456	1	Switch	
14	982446	1	Metal 9×10		39	982458	1	Terminal	
15	997752	2	Metal (old 980556)		40	982459	1	Terminal	
16	949425	1	Washer M6	10	41	949554	2	Nut M4	10
17	982443	1	Second Pinion		42	980838	1	Hook	
18	992740	1	Motor till 2 / 87		43	982467Z	1	Battery	
18 A	992747	1	Motor since 3 / 87		44	982466	1	Holder Spring	
19	950565	1	HITACHI Label		45	—	1	Battery Name Plate	
20	982452	1	Change Lever		46	980581	1	Battery Case Holder	
21	959155	1	Steel Ball D3.969	10	47	949423	2	Washer for M4	10
22	982454	1	Spring (C)		48	949219	1	Machine Screw M4×16	10
23	992748	1	Housing (A) (B) Set		49	949453	1	Spring Washer M4	10
24	980837	1	Key Holder		50	949223	1	Machine Screw M4×25	10
25	982453	1	Washer		51	984334	1	Switch Lever	
					501	—	1	Charger	



ITEM NO.	PART NO.	NO. USED	DESCRIPTION	SUPPLY Q'TY	ITEM NO.	PART NO.	NO. USED	DESCRIPTION	SUPPLY Q'TY
501	—	1	Charger (BC-3)		510	982528	1	Fuse	
502	—	1	Name Plate		511	982527	1	Fuse	
503	982511Z	1	Case (A)		512	982491	1	Cushion (B)	
504	982493	2	Terminal (A)		513	982512Z	1	Case (B)	
505	982494	1	Terminal (B)		514	980612	4	Tapping Screw D4×25 w / Washer	
506	982492	1	Cushion (C)		515	980642Z	1	Cord	
507	982513Z	1	Terminal Holder		516	982490	2	Cushion (A)	
508	982034	1	Tapping Screw D4×12 w / Washer		517	982520	2	Spacer	
509	982526	1	Print Board Assembly (includes Item 510,511)		518	982495Z	1	Transformer	