



Husqvarna

Parts Manual

Power Rake Seeder

Models

DTF226 / 966067101	DTF6(BF) / 966067201
DT18BF / 966067001	SD22B5DSA / 966067801
DTF22 / 966068401	DTF226 / 966068501
	SD22H5DSA / 966068701

Please read the operator's manual carefully and make sure you understand the instructions before using the machine.

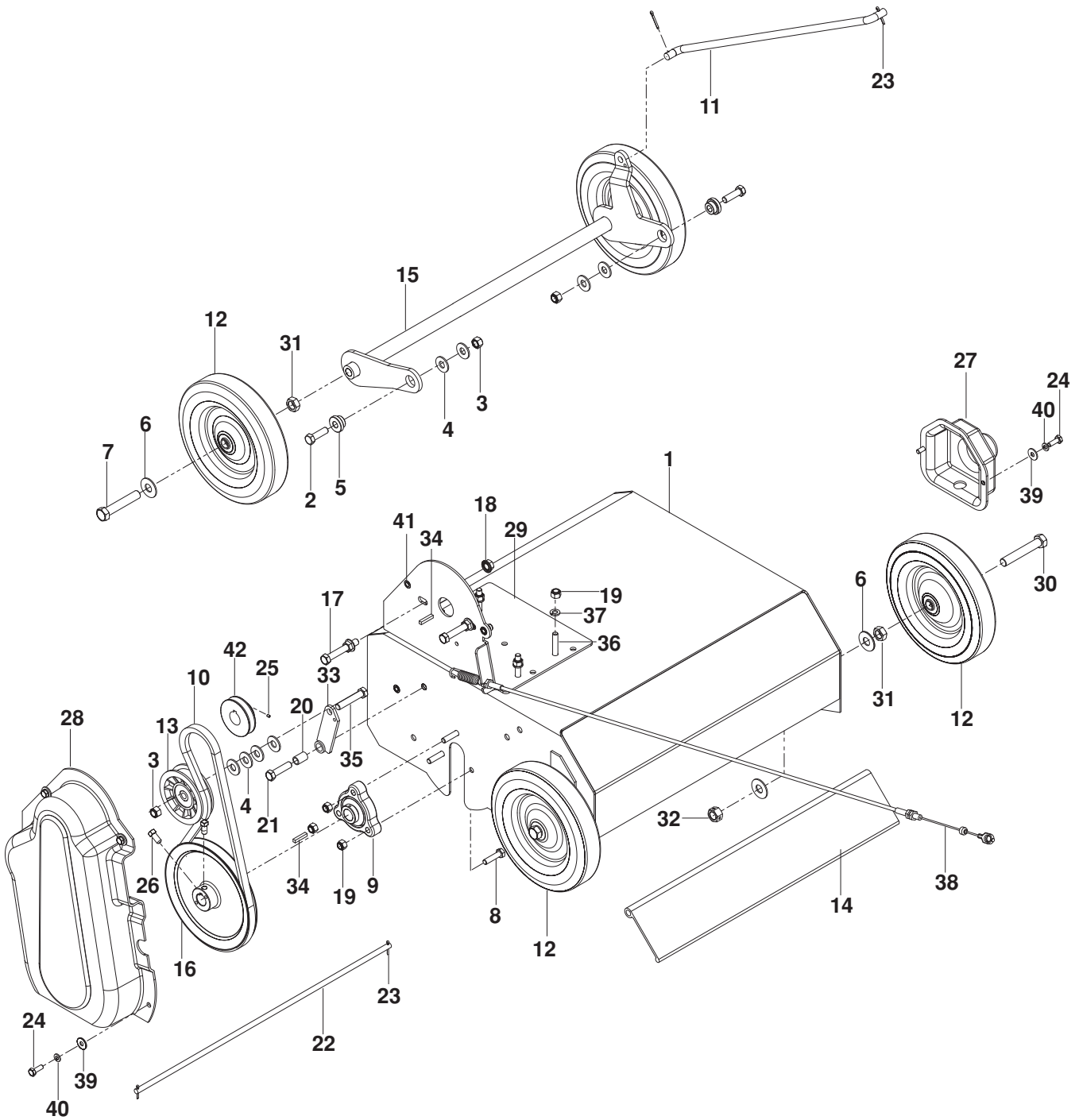
CONTENTS

FRAME.....	4
18"	4
22"	6
HANDLE	8
18"	8
22"	10
FLAIL BLADE.....	12
DELTA BLADE	14
SPRING TINE.....	16
DECALS.....	18
ACCESSORIES.....	20
DETHATCHER	20
SEEDER.....	22
BAGGER	24

NOTE: ALL FASTENERS ARE GRADE 5 UNLESS OTHERWISE SPECIFIED.

FRAME

18"
DT18(BF)



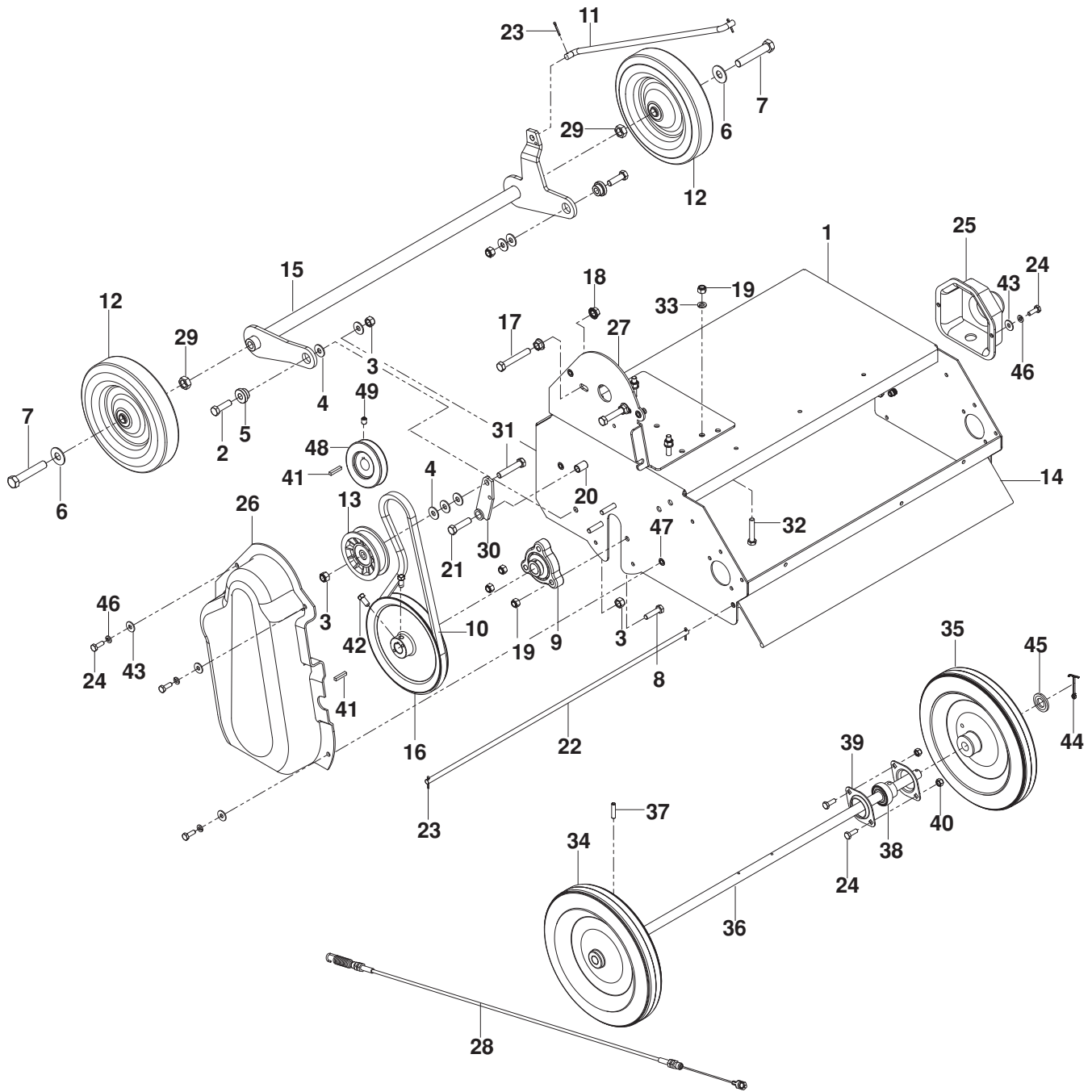
FRAME

ITEM	PART NO.	QTY.	DESCRIPTION	ITEM	PART NO.	QTY.	DESCRIPTION
1..	525 398701.....	1...	BODY W/DECALS	23..	539 990037.....	4...	COTTER PIN
2..	539 976941.....	2...	HCS 3/8-16 x 1 1/4	24..	539 990580.....	6...	HCS 1/4-20 x 3/4
3..	539 976979.....	4...	NUT 3/8-16 NYLOC	25..	539 976959.....	1...	KPSS 5/16-18 x 3/8
4..	539 990517.....	8...	WASHER 3/8 FLAT	26..	539 102717.....	2...	SCREW-18 x 5/8 SET
5..	539 106847.....	2...	BUSHING	27..	539 106754.....	1...	GUARD, SHAFT
6..	539 990550.....	6...	WASHER 1/2 FLAT	28..	539 108069.....	1...	GUARD, BELT
7..	539 101332.....	2...	HCS 1/2-13 x 2 3/4	29..	539 106771.....	1...	BACKING PLATE
8..	539 990627.....	6...	HCS 5/16-18 x 1 1/4	30..	539 101572.....	2...	HCS 1/2-13 x 3
9..	539 100488.....	2...	BEARING, FLANGE	31..	539 990625.....	4...	NUT 1/2-13 JAM
10..	539 100439.....	1...	BELT	32..	539 200100.....	2...	NUT 1/2-13 CNTRLK
11..	539 106805.....	1...	LINKAGE	33..	522 795001.....	1...	IDLER ARM
12..	540 075051.....	4...	WHEEL 8 x 1 3/4	34..	539 910061.....	2...	KEY 3/16 x 3/16 x 1
13..	539 110311.....	1...	PULLEY, IDLER	35..	539 990588.....	1...	HCS 3/8-16 x 2
14..	539 100508.....	1...	REAR FLAP	36..	539 990669.....	4...	HCS 5/16-18 x 1 3/4
15..	525 245201.....	1...	FRONT AXLE	37..	539 990187.....	4...	LOCKWASHER 5/16
16..	539 100511.....	1...	PULLEY 7"	38..	539 106849.....	1...	CABLE
17..	539 990637.....	2...	HCS 3/8-16 x 2 1/2	39..	539 990598.....	6...	WASHER 1/4
18..	539 990613.....	4...	NUT 3/8-16 SERRATED	40..	539 990052.....	6...	LOCKWASHER 1/4
19..	539 990717...	10...	NUT 5/16-18 NYLOC	41..	539 108147.....	6...	KNURLED INSERT 1/4-20
20..	539 100482.....	1...	BEARING	42..	539 108059.....	1...	PULLEY
21..	539 990655.....	1...	HCS 3/8-16 x 1 1/2				
22..	539 100512.....	1...	FLAP ROD				

FRAME

22"

DTF226, DTF6(BF), SD22B5DSA DTF22, DTF226, SD22H5DSA

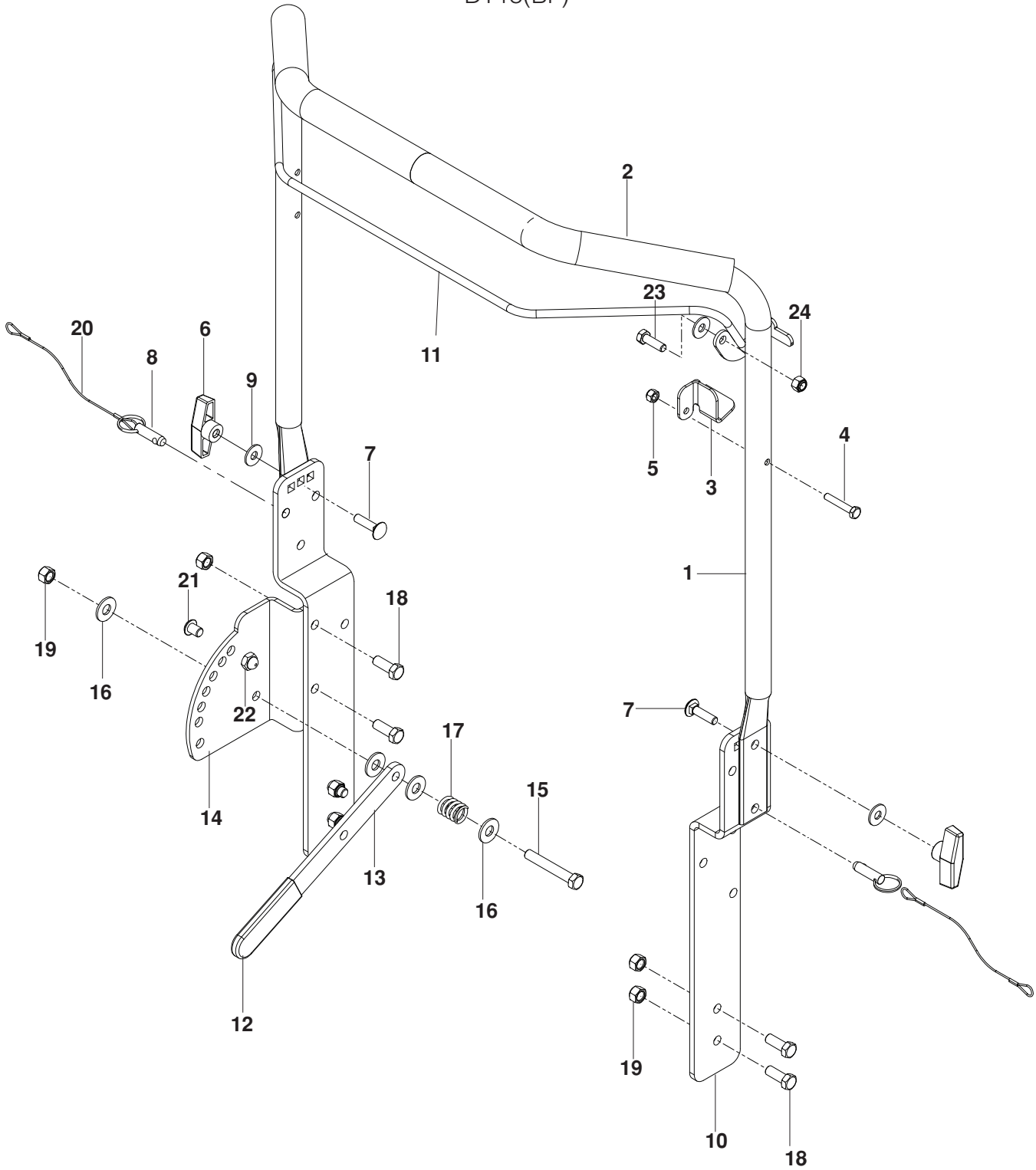


FRAME

ITEM	PART NO.	QTY.	DESCRIPTION	ITEM	PART NO.	QTY.	DESCRIPTION
1..	525 858501.....	1 ...	BODY, ORG	26..	539 108069.....	1 ...	BELT GUARD
2..	539 976941.....	2 ...	HCS $\frac{3}{8}$ -16 x $1\frac{1}{4}$	27..	539 106772.....	1 ...	BACKING PLATE
3..	539 976979.....	4 ...	NUT $\frac{3}{8}$ -16 NYLOC	28..	539 106849.....	1 ...	CABLE
4..	539 990692.....	7 ...	WASHER $\frac{5}{16}$	29..	539 990625.....	2 ...	NUT $\frac{1}{2}$ -13 JAM
5..	539 106847.....	2 ...	BUSHING	30..	539 108067.....	1 ...	IDLER, ARM
6..	539 990550.....	2 ...	WASHER, $\frac{1}{2}$	31..	539 990588.....	1 ...	HCS $\frac{3}{8}$ -16 x 2
7..	539 101332.....	2 ...	HCS $\frac{1}{2}$ -13 x $2\frac{3}{4}$	32..	539 990669.....	4 ...	HCS $\frac{5}{16}$ -18 x $1\frac{3}{4}$
8..	539 990627.....	6 ...	HCS $\frac{5}{16}$ -18 x $1\frac{1}{4}$	33..	539 990187.....	4 ...	LOCKWASHER $\frac{5}{16}$
9..	539 100488.....	2 ...	BEARING FLANGE C.I.	34..	540 000058.....	1 ...	WHEEL, 10x1.75 DRILLED
10..	539 100439.....	1 ...	BELT	35..	540 053401.....	1 ...	WHEEL, 10x1.75 w/ BUSHING
11..	539 106805.....	1 ...	LINKAGE	36..	539 106663.....	1 ...	REAR AXLE
12..	540 075051.....	4 ...	WHEEL, 8 x 1.75	37..	539 109273.....	1 ...	PIN ROLL $\frac{1}{4}$ x $1\frac{1}{8}$
13..	539 110311.....	1 ...	IDLER PULLEY, HYDRO'S	38..	539 000319.....	2 ...	BEARING $\frac{5}{8}$ w/ COLLAR
14..	539 106643.....	1 ...	REAR FLAP	39..	539 000321.....	4 ...	BRG FLANGETTE $\frac{5}{8}$ 2 BOLT
15..	539 106759.....	1 ...	AXLE, FRONT	40..	539 976978.....	4 ...	NUT $\frac{1}{4}$ -20, NYLOC
16..	539 100511.....	1 ...	PULLEY, 7"	41..	539 910061.....	2 ...	KEY $\frac{1}{4}$ SQ x $1\frac{1}{8}$
17..	539 990637.....	2 ...	HCS $\frac{3}{8}$ -16 x $2\frac{1}{2}$	42..	539 102717.....	2 ...	SCREW $\frac{5}{16}$ -18 x $\frac{5}{8}$ SET
18..	539 990613.....	4 ...	NUT $\frac{3}{8}$ -16 WHIZLK	43..	539 990598.....	6 ...	WASHER $\frac{1}{4}$
19..	539 990717...	10 ...	NUT $\frac{5}{16}$ -18 NYLOC	44..	539 990297.....	1 ...	COTTER PIN $\frac{1}{8}$ x $1\frac{1}{2}$
20..	539 100482.....	1 ...	BUSHING	45..	539 976982.....	1 ...	WASHER $\frac{5}{8}$ SAE
21..	539 990655.....	1 ...	HCS $\frac{3}{8}$ -16 x $1\frac{1}{2}$	46..	539 990052.....	6 ...	WASHER $\frac{1}{4}$ SPLIT LOCK
22..	539 106672.....	1 ...	FLAP ROD	47..	539 108147.....	6 ...	KNURLED INSERT $\frac{1}{4}$ -20
23..	539 990037.....	4 ...	PIN COTTER $\frac{3}{4}$	48..	539 108059.....	1 ...	PULLEY, 3"
24..	539 990580...	10 ...	HCS $\frac{1}{4}$ -20 x $\frac{3}{4}$	49..	539 976956.....	1 ...	SCREW $\frac{5}{16}$ -18 x $\frac{3}{8}$, SET KRL
25..	539 106754.....	1 ...	SHAFT GUARD				

HANDLE

18"
DT18(BF)



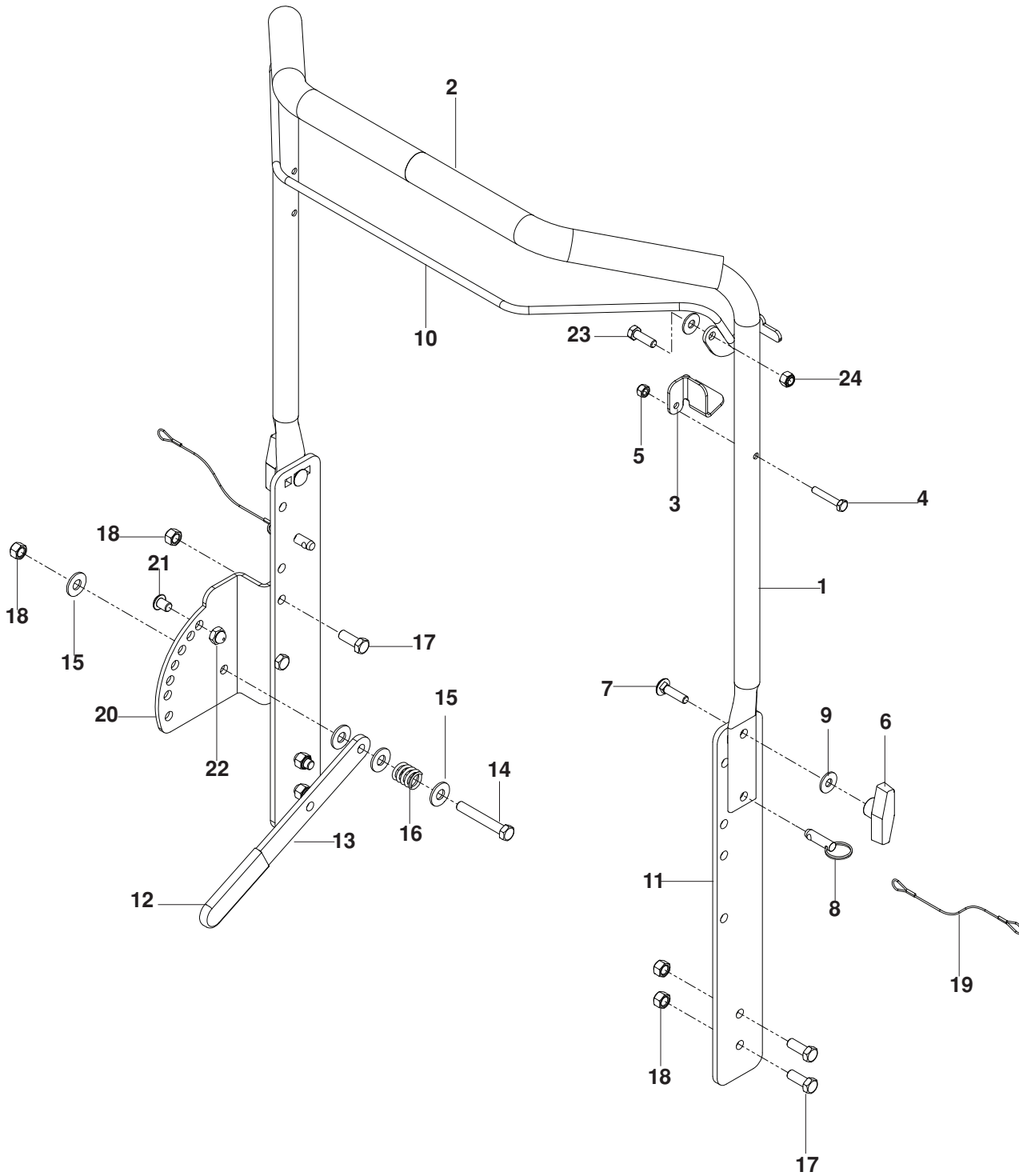
HANDLE

ITEM	PART NO.	QTY.	DESCRIPTION	ITEM	PART NO.	QTY.	DESCRIPTION
1..	539 106758.....	1 ...	HANDLE	13..	539 106770.....	1 ...	LEVER
2..	539 052561.....	2 ...	FOAM GRIP	14..	539 106768.....	1 ...	PLATE, HEIGHT
3..	539 106688.....	1 ...	CABLE TAB	15..	539 990588.....	1 ...	HCS $\frac{3}{8}$ -16 x 2
4..	539 990639.....	1 ...	HCS $\frac{1}{4}$ -20 x $1\frac{1}{2}$	16..	539 990517.....	4 ...	WASHER $\frac{3}{8}$ FLAT
5..	539 976978.....	1 ...	NUT $\frac{1}{4}$ -20 NYLOC	17..	539 976438.....	1 ...	SPRING
6..	539 100481.....	2 ...	KNOB	18..	539 990563.....	6 ...	HCS $\frac{3}{8}$ -16 x 1
7..	539 100472.....	2 ...	RHSNB $\frac{5}{16}$ -18 x $1\frac{1}{4}$	19..	539 976979.....	7 ...	NUT $\frac{3}{8}$ -16 NYLOC
8..	539 100556.....	2 ...	PIN	20..	539 102563.....	2 ...	LANYARD
9..	539 990692.....	2 ...	WASHER $\frac{5}{16}$ FLAT	21..	539 108068.....	1 ...	SCREW $\frac{3}{8}$ -16 BUTTON HD
10..	525 245501.....	2 ...	HANDLE SIDE	22..	539 108746.....	1 ...	NUT $\frac{3}{8}$ -16 ACORN
11..	539 106760.....	1 ...	BAIL	23..	539 990209.....	1 ...	HCS $\frac{5}{16}$ -18 x 1
12..	539 976526.....	1 ...	GRIP, LEVER	24..	539 990717.....	1 ...	NUT $\frac{5}{16}$ -18 NYLOC

HANDLE

22"

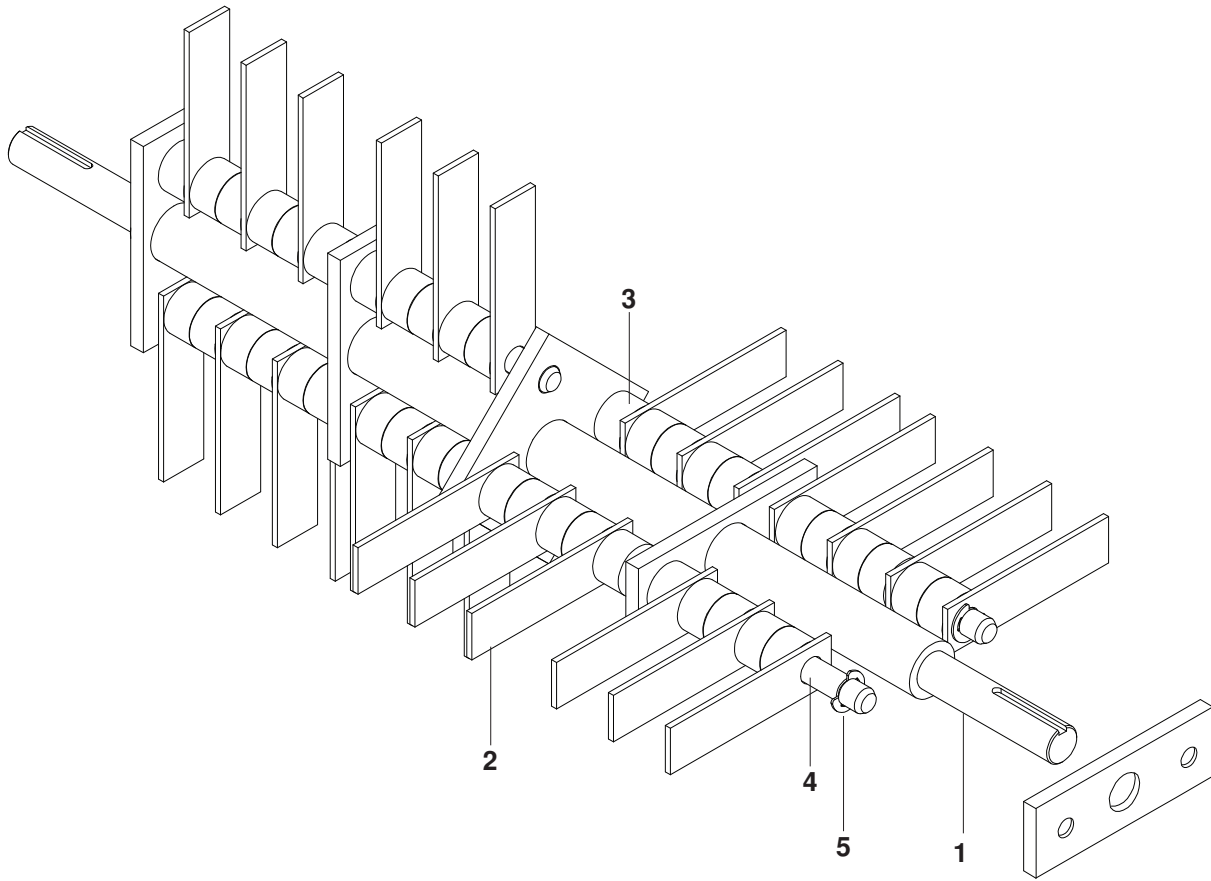
DTF226, DTF6(BF), SD22B5DSA DTF22, DTF226, SD22H5DSA



HANDLE

ITEM	PART NO.	QTY.	DESCRIPTION	ITEM	PART NO.	QTY.	DESCRIPTION
1..	539 106758.....	1 ...	HANDLE	13..	539 106770.....	1 ...	LEVER
2..	539 052561.....	2 ...	GRIP FOAM	14..	539 990588.....	1 ...	HCS $\frac{3}{8}$ -16 x 2
3..	539 106688.....	1 ...	CABLE TAB	15..	539 990517.....	4 ...	WASHER $\frac{3}{8}$
4..	539 990639.....	1 ...	HCS $\frac{1}{4}$ -20 x $1\frac{1}{2}$	16..	539 976438.....	1 ...	SPRING
5..	539 976978.....	1 ...	NUT $\frac{1}{4}$ -20 NYLOC	17..	539 990563.....	6 ...	HCS $\frac{3}{8}$ -16 x 1
6..	539 100481.....	2 ...	KNOB	18..	539 976979.....	7 ...	NUT $\frac{3}{8}$ -16 NYLOC
7..	539 100472.....	2 ...	RHSNB $\frac{5}{16}$ -18 x $1\frac{1}{4}$	19..	539 102563.....	2 ...	LANYARD
8..	539 100556.....	2 ...	PIN	20..	539 106768.....	1 ...	HEIGHT PLATE
9..	539 990692.....	3 ...	WASHER $\frac{5}{16}$	21..	539 108068.....	1 ...	HCS $\frac{3}{8}$ -16 x $\frac{1}{2}$ BUTTONHD
10..	539 106760.....	1 ...	BAIL	22..	539 108746.....	1 ...	NUT $\frac{3}{8}$ -16 ACRON
11..	539 106755.....	2 ...	HANDLE SIDE	23..	539 990209.....	1 ...	HCS $\frac{5}{16}$ -18 x 1
12..	539 976526.....	1 ...	GRIP, LEVER	24..	539 990717.....	1 ...	NUT $\frac{5}{16}$ -18 NYLOC

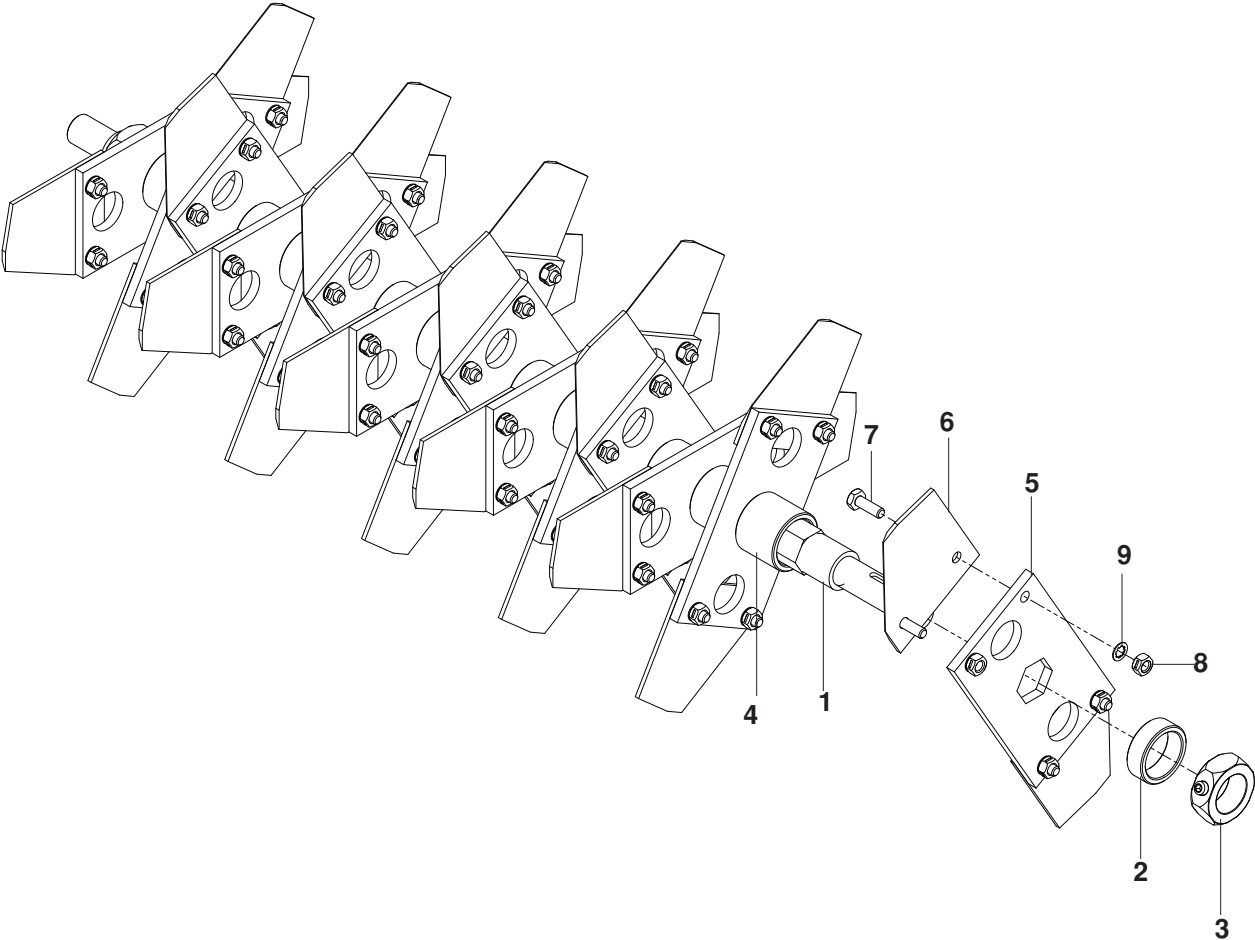
FLAIL BLADE



FLAIL BLADE

ITEM	PART NO.	QTY.	DESCRIPTION	ITEM	PART NO.	QTY.	DESCRIPTION
	539 106639 1 ...	22" FLAIL ASSY COMPLETE	3..	539 100526...	56 ...	SPACER 22"
	539 107180 1 ...	18" FLAIL ASSY COMPLETE		539 100526 ..	44 ...	SPACER 18"
1..	539 106641 1 ...	SHAFT 22"	4..	539 106642.....	4 ...	BLADE SHAFT 22"
	539 106856 1 ...	SHAFT 18"		539 005188 ..	26 ...	BLADE SHAFT 18"
2..	539 005187	... 32 ...	BLADE 22"	5..	539 101949.....	8 ...	E-RING 1/2"
	539 005187	..26 ...	BLADE18"				

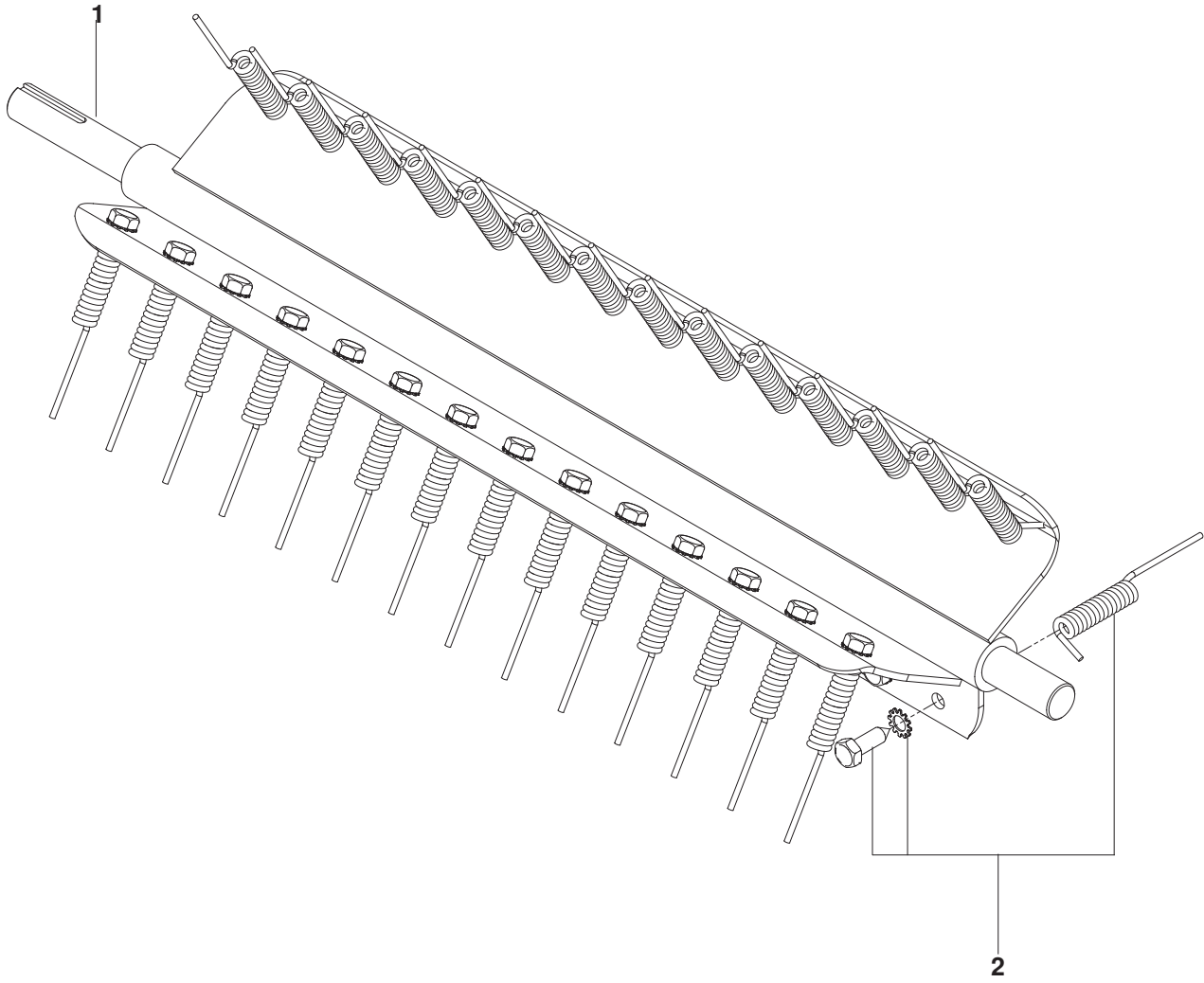
DELTA BLADE



DELTA BLADE

ITEM	PART NO.	QTY.	DESCRIPTION	ITEM	PART NO.	QTY.	DESCRIPTION
	539 106638 1 ...	22" DELTA ASSY COMPLETE	6..	539 005966	... 30 ...	DELTA BLADE 22"
	539 107181 1 ...	18" DELTA ASSY COMPLETE		539 005966	.. 24 ...	DELTA BLADE 18"
1..	539 106650 1 ...	SHAFT 22"	7..	539 108056	... 60 ...	HCS 1/4-20 x 3/4 GR8 22"
	539 106860 1 ...	SHAFT 18"		539 108056	.. 48 ...	HCS 1/4-20 x 3/4 GR8 18"
2..	539 106653 2 ...	END SPACER	8..	539 990761	... 60 ...	NUT 1/4-20 CTRLK 22"
3..	539 100530 2 ...	JAM NUT w/ SET SCREW		539 990761	.. 48 ...	NUT 1/4-20 CTRLK 18"
4..	539 106652	... 14 ...	SPACER-LONG 22"	9..	539 000407	... 60 ...	WASHER 1/4 LK 22"
	539 106652	.. 11 ...	SPACER, LONG 18"		539 000407	.. 48 ...	WASHER 1/4 LK 18"
5..	539 106651	... 15 ...	BLADE PLATE 22"				
	539 106651	.. 12 ...	BLADE PLATE 18"				

SPRING TINE

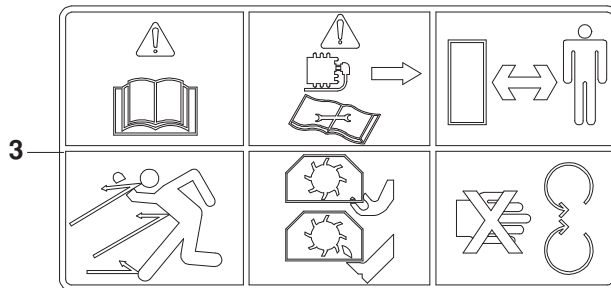
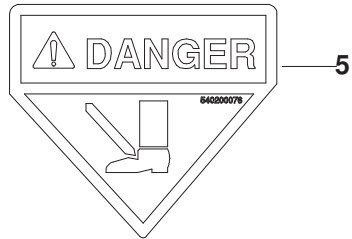
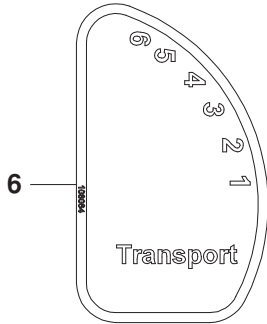
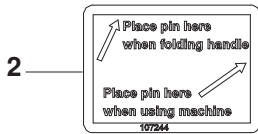
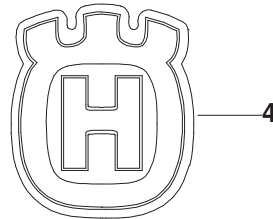
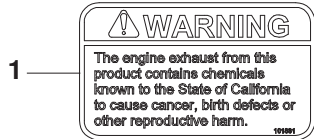


SPRING TINE

ITEM	PART NO.	QTY.	DESCRIPTION	ITEM	PART NO.	QTY.	DESCRIPTION
	539 107185 1 ...	22" SPRING REEL COMPLETE	2..	539 108119.....	1 ...	SPRING w/HARDWARE SET (42 SPRINGS)
	539 107182 1 ...	18" SPRING REEL COMPLETE				
1..	539 106683 1 ...	SHAFT 22"	539 108118 1 ...		SPRING w/HARDWARE SET (36 SPRINGS)
	539 106858 1 ...	SHAFT 18"				

Note: Spring Tines may not be used with bagger.

DECALS

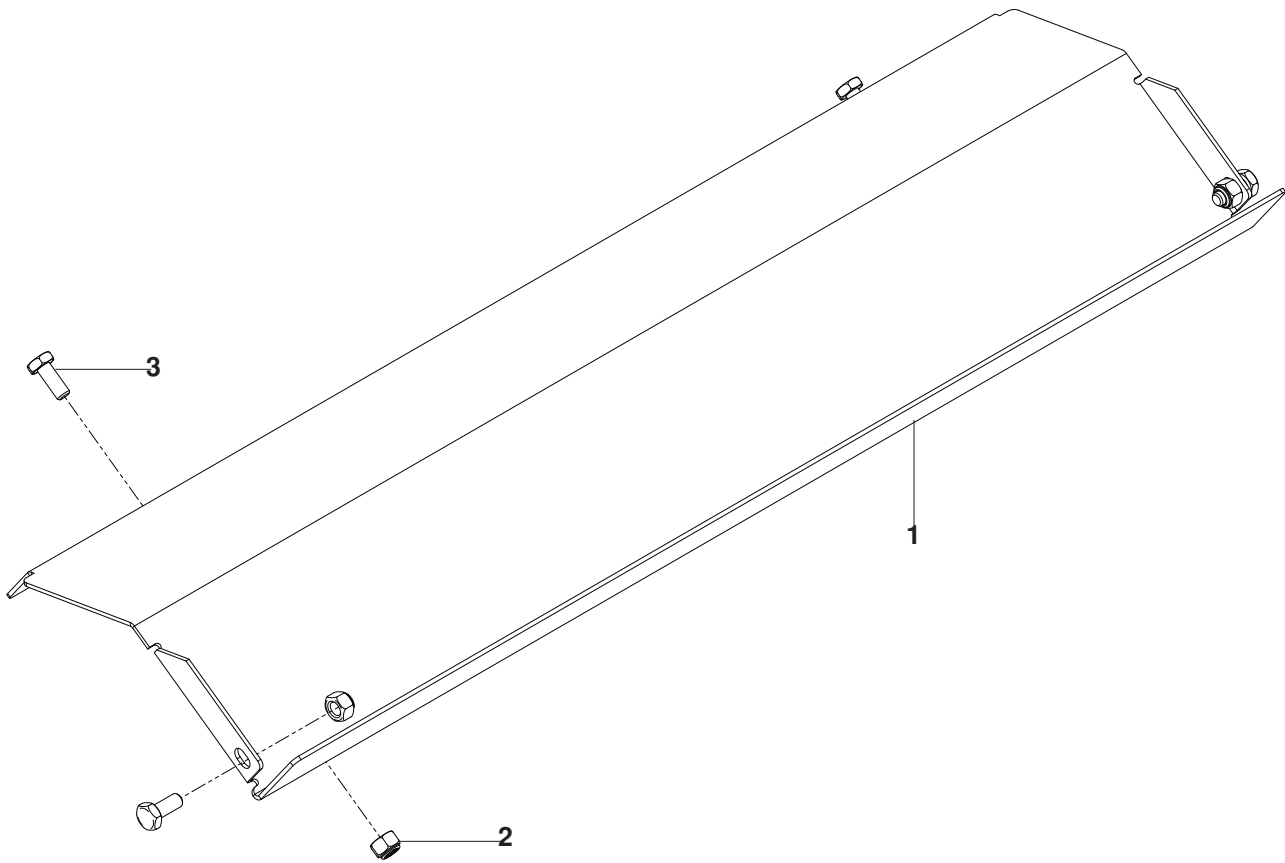


DECALS

ITEM	PART NO.	QTY.	DESCRIPTION	ITEM	PART NO.	QTY.	DESCRIPTION
1..	539 101881.....	1 ...	DECAL, PROP 65	6..	539 108064.....	1 ...	DECAL, DEPTH
2..	539 107244.....	1 ...	DECAL, HANDLE PIN	7..	532 422012.....	1 ...	DECAL, HUSQVARNA
3..	539 107359.....	1 ...	DECAL, SAFETY GRAPHICS	8..	525 247903.....	1 ...	DECAL, SD22
4..	532 422011.....	1 ...	DECAL, CROWN	9..	525 247902.....	1 ...	DECAL, DT22
5..	540 200076.....	1 ...	DECAL, DANGER FOOT	10..	525 247901.....	1 ...	DECAL, DT18

ACCESSORIES

DETHATCHER



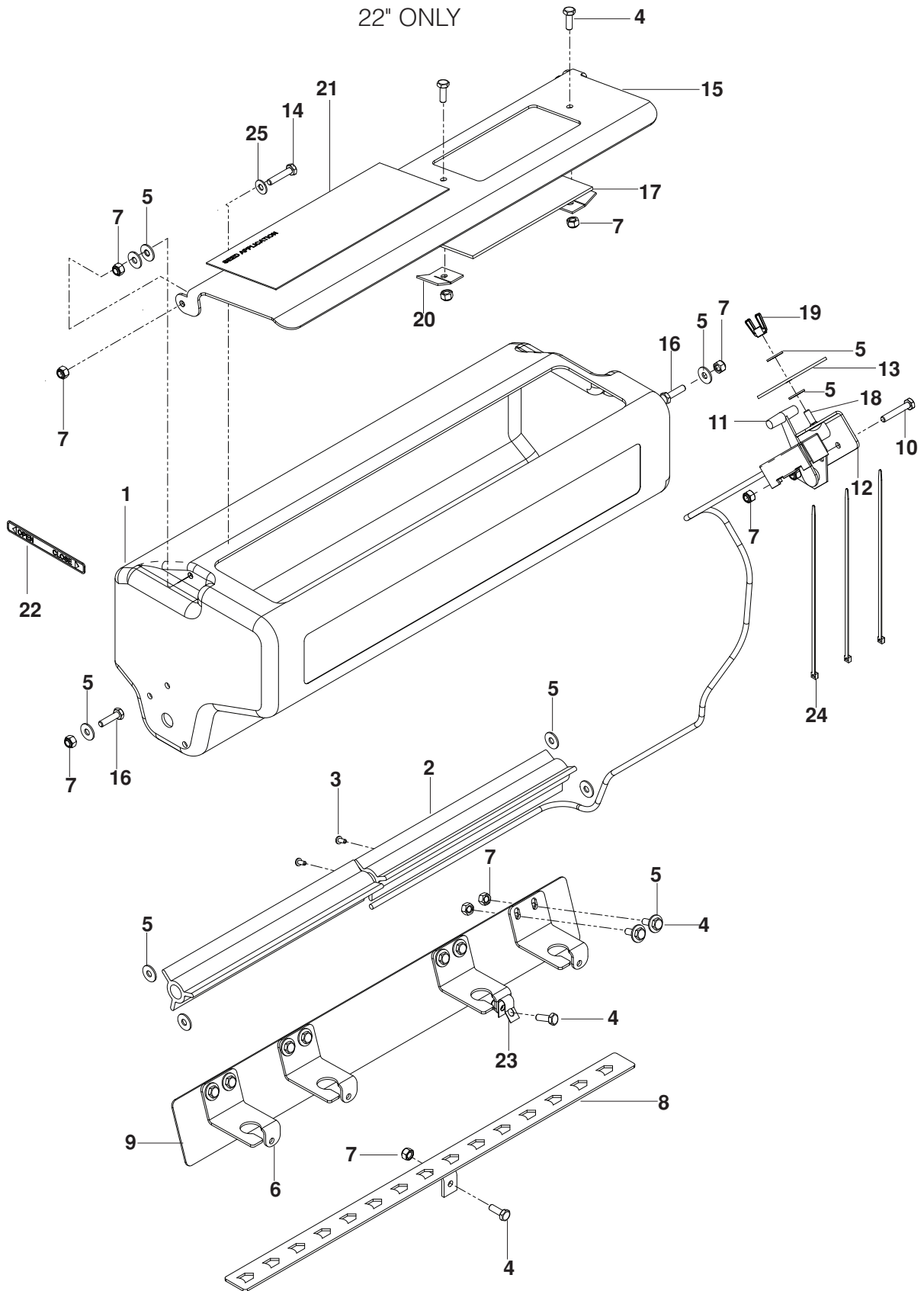
ACCESSORIES

ITEM	PART NO.	QTY.	DESCRIPTION
1..	539 106757.....	1...	REAR COVER, ORG
2..	539 976978.....	4...	NUT 1/4-20, NYLOC

ITEM	PART NO.	QTY.	DESCRIPTION
3..	539 990072.....	4...	HCS 1/4-20 X 5/8

ACCESSORIES

SEEDER
22" ONLY

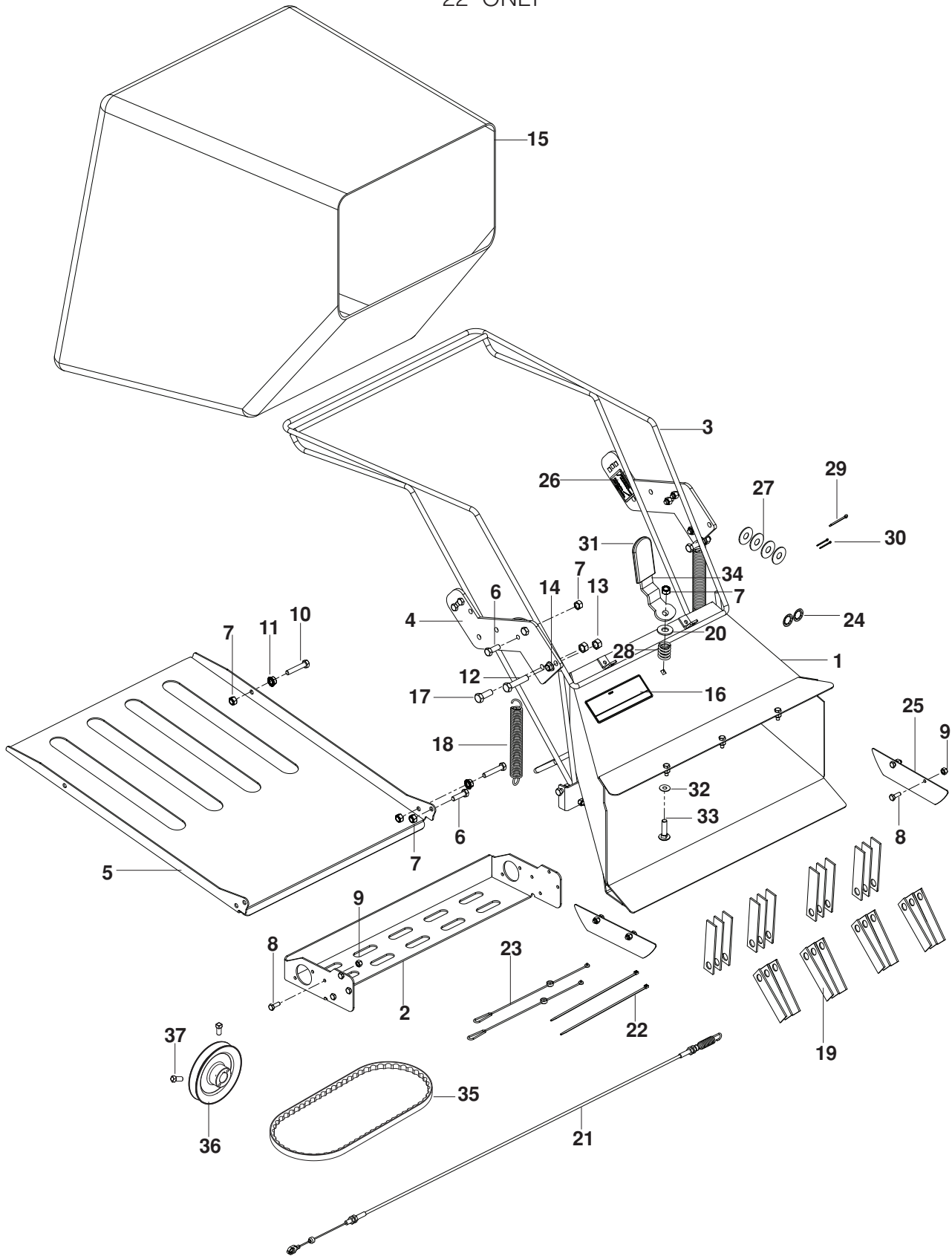


ACCESSORIES

ITEM	PART NO.	QTY.	DESCRIPTION	ITEM	PART NO.	QTY.	DESCRIPTION
1..	539 109374.....	1...	SEEDBOX	14..	539 100266.....	2...	HCS ¼-20 x 1¼
2..	539 106661.....	2...	AGITATOR	15..	539 106684.....	1...	SEED LID
3..	539 000113.....	2...	SCREW #8-32 x ¾ SELF TAP	16..	539 990548.....	2 ..	HCS ¼-20 x 1
4..	539 990580...	12...	HCS ¼-20 x ¾	17..	539 106806.....	1...	SEED WINDOW
5..	539 990598...	20...	WASHER ¼	18..	539 990074.....	1...	RHSNB ¼-20 x ¾ GR2
6..	539 106677.....	4...	GUIDE	19..	539 990997.....	1...	WINGNUT ¼-20, NYLOC
7..	539 976978...	20...	NUT ¼-20 NYLOC	20..	539 107246.....	2...	WINDOW CLIP
8..	539 106678.....	1...	GATE	21..	540 200140.....	1...	DECAL, SEED APPLICATION
9..	539 109375.....	1...	SHIELD	22..	540 200143.....	1...	DECAL, OPEN CLOSE
10..	539 990639.....	2...	HCS ¼-20 x 1½	23..	539 052931.....	1...	CABLE CLAMP
11..	539 052551.....	1...	SEEDER CABLE	24..	539 976856.....	3...	WIRE TIE
12..	539 106680.....	1...	MOUNT	25..	539 990055.....	2...	WASHER ¼ SAE
13..	539 107357.....	1...	SEED DIAL				

ACCESSORIES

BAGGER
22" ONLY



ACCESSORIES

ITEM	PART NO.	QTY.	DESCRIPTION	ITEM	PART NO.	QTY.	DESCRIPTION
1..	539 130841.....	1...	CHUTE w/ SAFETY DECAL	20..	539 990692.....	1...	WASHER ⁵ / ₁₆ FLAT
2..	539 106803.....	1...	TRAY, BAGGER ORG	21..	539 106827.....	1...	CABLE
3..	539 107242.....	1...	FRAME, BAG BLK	22..	539 976856.....	2...	WIRE TIE
4..	539 106846.....	2...	EXTENDER GRY	23..	539 106848.....	2...	LANYARD
5..	539 106835.....	1...	DOOR, SAFETY ORG	24..	539 109304.....	2...	RETAINING RING
6..	539 990209.....	6...	HCS ⁵ / ₁₆ -18 x 1	25..	539 107316.....	2...	SIDESHIELD
7..	539 990717...	10...	NUT ⁵ / ₁₆ -18 NYLOC	26..	539 107244.....	1...	DECAL, HANDLE PIN
8..	539 990580...	17...	HCS ¹ / ₄ -20 x ³ / ₄	27..	539 976982.....	4...	WASHER ⁵ / ₈ SAE
9..	539 976978...	17...	NUT ¹ / ₄ -20 NYLOC	28..	539 976438.....	1...	SPRING
10..	539 990669.....	3...	HCS ⁵ / ₁₆ -18 x 1 ³ / ₄	29..	539 990297.....	1...	PIN ¹ / ₈ x 1 ¹ / ₄ COTTER
11..	539 990585.....	3...	NUT ⁵ / ₁₆ LOCK	30..	539 990037.....	2...	PIN ³ / ₄ COTTER
12..	539 990588.....	2...	HCS ³ / ₈ -16 x 2	31..	539 110865.....	1...	GRIP
13..	539 976979.....	4...	NUT ³ / ₈ -16 NYLOC	32..	539 990517.....	1...	WASHER ³ / ₈
14..	539 990613.....	2...	NUT ³ / ₈ -16 WHIZLK	33..	539 990861.....	1...	RHSNB ⁵ / ₁₆ -18 x 1 ³ / ₄
15..	540 005464.....	1...	BAG	34..	539 110982.....	1...	CLAMP, BAG
16..	539 108143.....	1...	DECAL, BAGGING	35..	539 130836.....	1...	BELT, COGGED
17..	539 990563.....	2...	HCS ³ / ₈ -16 x 1	36..	539 113784.....	1...	PULLEY
18..	539 107315.....	2...	SPRING, BAGGER	37..	539 102717.....	2...	SCREW ⁵ / ₁₆ -18 x ⁵ / ₈ SET
19..	539 005187...	24...	BLADE, RAKE				

