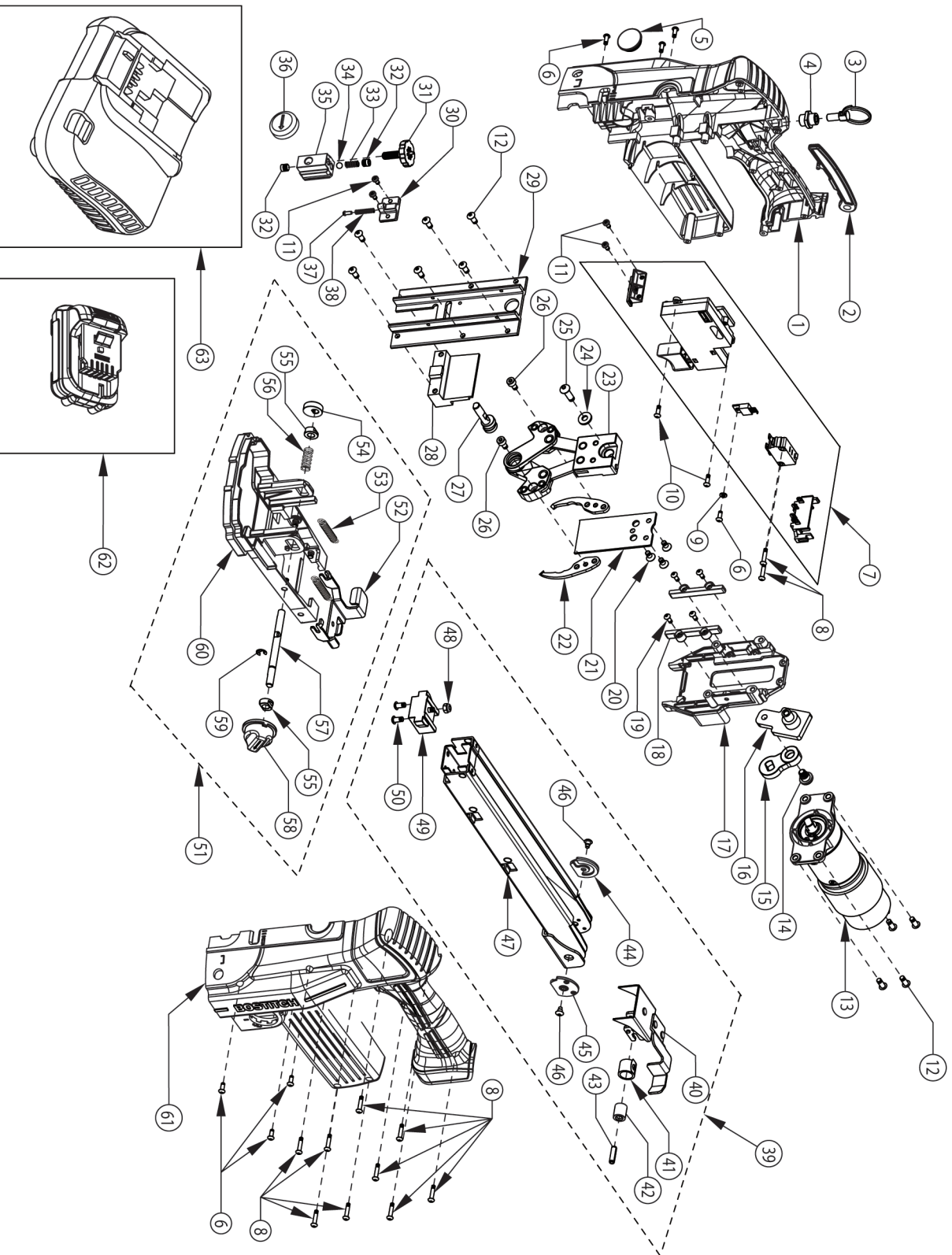


DSW-3519 / DSW-3522

CORDLESS CARTON CLOSING STAPLER
GRAPADORA AUTÓNOMA PARA CIERRE
DE CAJAS DE CARTÓN
AGRAFEUSE SANS FIL POUR LA FERMETURE
DE CAISSES CARTON



Parts List for DSW-3519 Type 1

| Item Number | Part Number | Description | Qty Required |
|-------------|-------------|----------------------|--------------|
| 1 | 9R204962 | RIGHT CASE ASSY 3519 | 1 |
| 2 | 9R201439 | SAFETY LEVER | 1 |
| 3 | 9R204970 | HANGER ASSEMBLY | 1 |
| 4 | 9R201493 | HANGER NUT | 1 |
| 5 | 9R201480 | DRIVER BOLT COVER | 1 |
| 6 | 9R201492 | SCREW | 7 |
| 7 | 9R205189 | SWITCH ASSEMBLY | 1 |
| 8 | 9R201483 | SCREW | 11 |
| 9 | 9R205485 | WASHER | 1 |
| 10 | 9R205243 | SCREW | 2 |
| 11 | 9R201739 | SCREW | 4 |
| 12 | 9R204949 | SCREW | 10 |
| 13 | 9R204956 | MOTOR/TRANS ASSEM. | 1 |
| 14 | 9R200730 | CRANK BOLT | 1 |
| 15 | 9R200657 | CRANK ARM | 1 |
| 16 | 9R205419 | CONNECTING ROD | 1 |
| 17 | 9R200564 | MAIN BODY | 1 |
| 18 | 9R198670 | WEAR GUIDE | 1 |
| 19 | 9R201744 | SCREW | 4 |
| 20 | 9R204947 | SCREW | 3 |
| 21 | 9R198644 | DRIVER | 1 |
| 22 | 9R201440 | CLINCHER, 19MM | 2 |
| 23 | 9R204964 | DRIVE ASSEMBLY | 1 |
| 24 | 9R205425 | WASHER | 1 |
| 25 | 9R205426 | SCREW | 1 |
| 26 | 9R200745 | SCREW | 2 |
| 27 | 9R201642 | PIVOT PIN | 1 |

Parts List for DSW-3519 Type 1

| Item Number | Part Number | Description | Qty Required |
|-------------|-------------|----------------------|--------------|
| 28 | 9R205356 | DRIVER GUIDE | 1 |
| 29 | 9R201641 | FRONT BODY | 1 |
| 30 | 9R201757 | CLINCH DETENT MOUNT | 1 |
| 31 | 9R205349 | CLINCH DIAL | 1 |
| 32 | 9R201749 | SCREW | 2 |
| 33 | 9R201748 | PIVOT PIN SPRING | 1 |
| 34 | 9R200665 | PIVOT PIN BALL | 1 |
| 35 | 9R201639 | PIVOT PIN BLOCK | 1 |
| 36 | 9R204968 | LENGTH KNOB ASSEM | 1 |
| 37 | 9R201487 | CLINCH DETENT | 1 |
| 38 | 9R201488 | CLINCH DETENT SPRING | 1 |
| 39 | 9R205193 | MAGAZINE ASSEMBLY | 1 |
| 40 | 9R204959 | PUSHER | 1 |
| 41 | 9R200503 | PUSHER SPRING | 1 |
| 42 | 9R200502 | PUSHER BUSHING | 1 |
| 43 | 9R200504 | SPRING PIN | 1 |
| 44 | 9R200508 | PUSHER GUIDE RIGHT | 1 |
| 45 | 9R200509 | PUSHER GUIDE LEFT | 1 |
| 46 | 9R200510 | PUSHER GUIDE SCREW | 2 |
| 47 | 9R205195 | MAGAZINE BODY | 1 |
| 48 | 9R205245 | LOCK NUT | 1 |
| 49 | 9R200735 | PUSHER SPRING MOUNT | 1 |
| 50 | 9R198678 | SCREW | 2 |
| 51 | 9R205196 | BASE ASSEMBLY | 1 |
| 52 | 9R200727 | MAGAZINE LATCH | 1 |
| 53 | 9R200506 | MAGAZINE SPRING | 2 |
| 54 | 9R204969 | DEPTH CAM ASSEM | 1 |

Parts List for DSW-3519 Type 1

| Item Number | Part Number | Description | Qty Required |
|-------------|-------------|---------------------|--------------|
| 55 | 9R200801 | DEPTH BUSHING | 2 |
| 56 | 9R200782 | DEPTH SPRING | 1 |
| 57 | 9R200663 | DEPTH ROD | 1 |
| 58 | 9R205194 | DEPTH KNOB ASSEM | 1 |
| 59 | 9R201737 | RETAINING RING | 1 |
| 60 | 9R201621 | BASE | 1 |
| 61 | 9R204963 | LEFT CASE ASSEM | 1 |
| 62 | 9R201436 | BATTERY, 12.0 V MAX | 1 |
| 63 | 9R201497 | CHARGER, 12.0V MAX | 1 |