

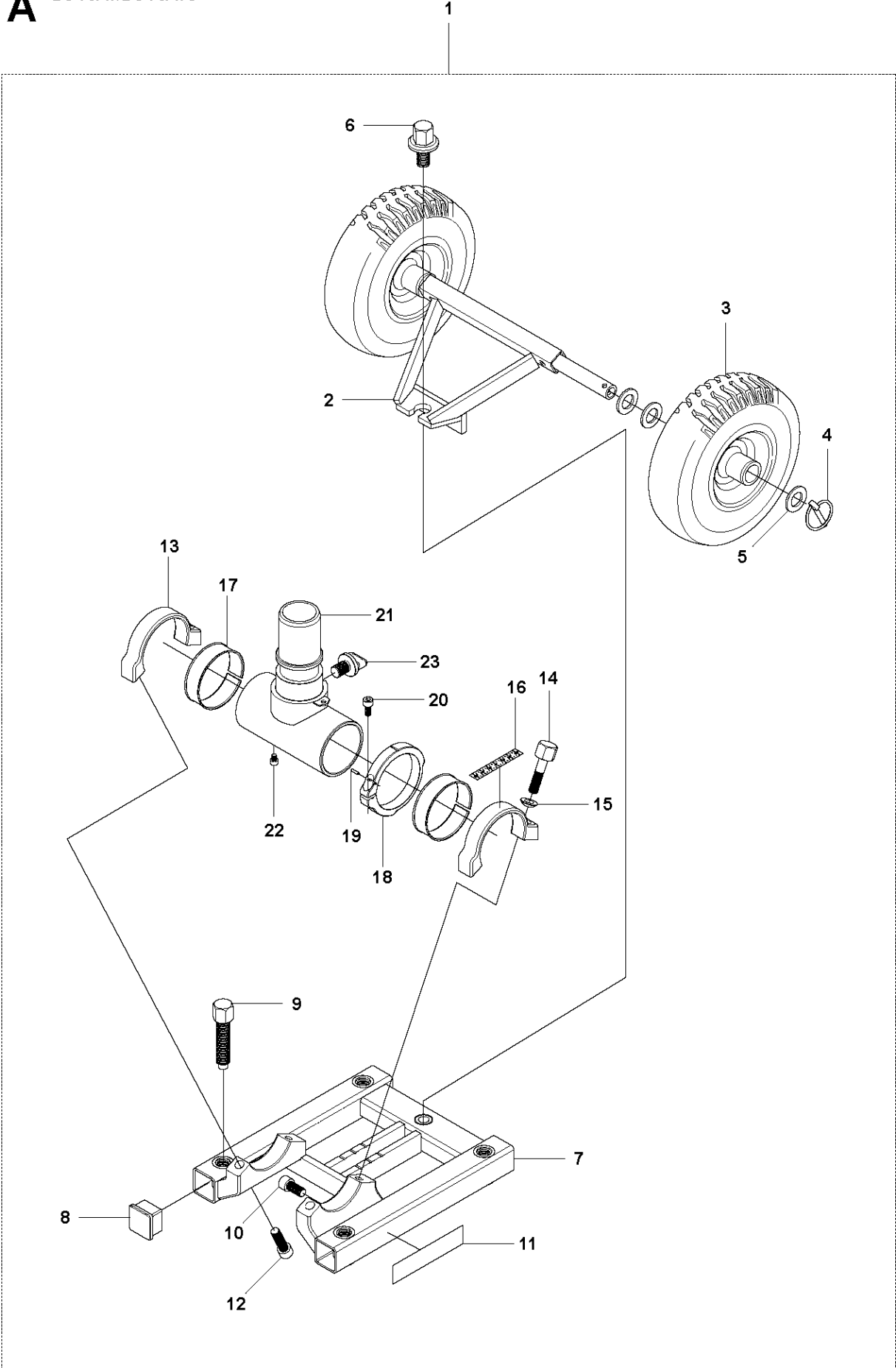


SPARE PARTS LIST

DRILLING EQUIPMENT

DS70 AT, 2008-05

A DS 70AT/DS 70ATS

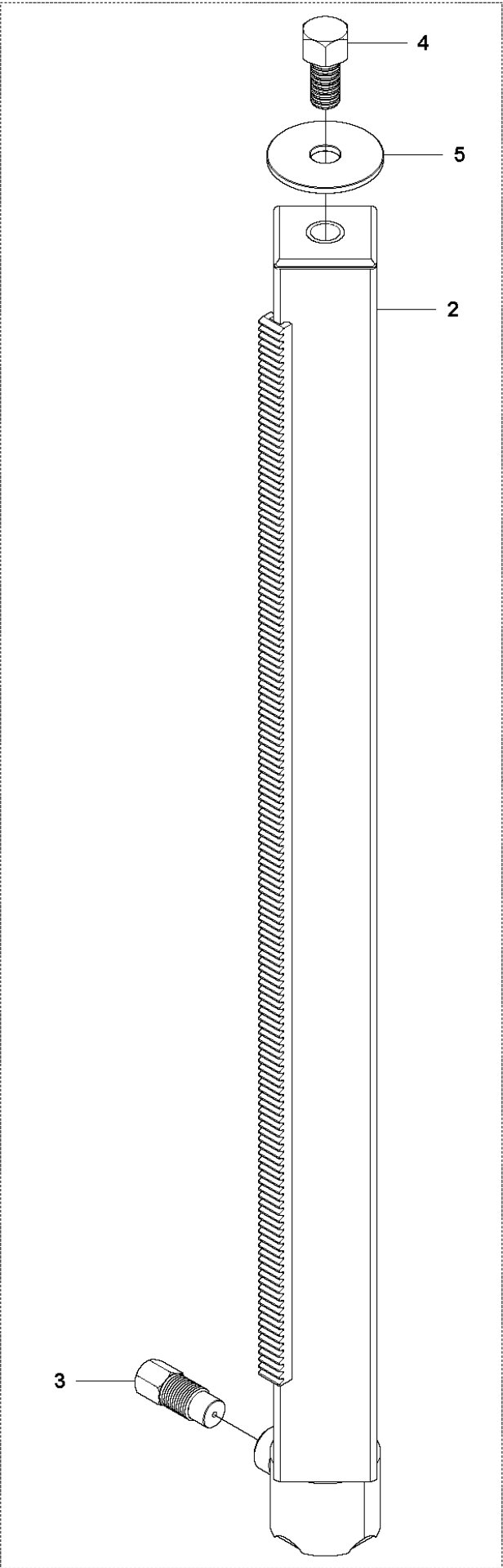


BASE PLATE

DS70 AT, 2008-05

Ref	Part No	Description	Remark	QTY KIT
1	504 90 91-01	FOOT PLATE	Incl. 2-23	1
2	504 90 91-14	FOOT PLATE		1
3	531 14 06-24	WHEEL		2
4	531 14 06-23	PEN		2
5	531 14 06-27	WASHER		6
6	531 14 07-43	SCREW		1
7	504 90 91-11	FOOT PLATE		1
8	531 14 06-20	PLUG		4
9	531 14 06-18	SCREW		4
10	504 90 91-13	FOOT PLATE		1
11	504 02 10-02	DECAL		1
12	504 90 91-12	FOOT PLATE		2
13	504 90 91-03	FOOT PLATE		2
14	504 90 06-01	SCREW		2
15	504 90 91-02	FOOT PLATE		2
16	504 90 91-01	FOOT PLATE		1
17	504 90 91-04	FOOT PLATE		2
18	504 90 91-06	FOOT PLATE		1
19	504 90 91-08	FOOT PLATE		1
20	504 90 91-07	FOOT PLATE		1
21	504 90 46-01	GUIDE PIECE		1
22	504 90 91-09	FOOT PLATE		1
23	504 90 91-05	FOOT PLATE		1

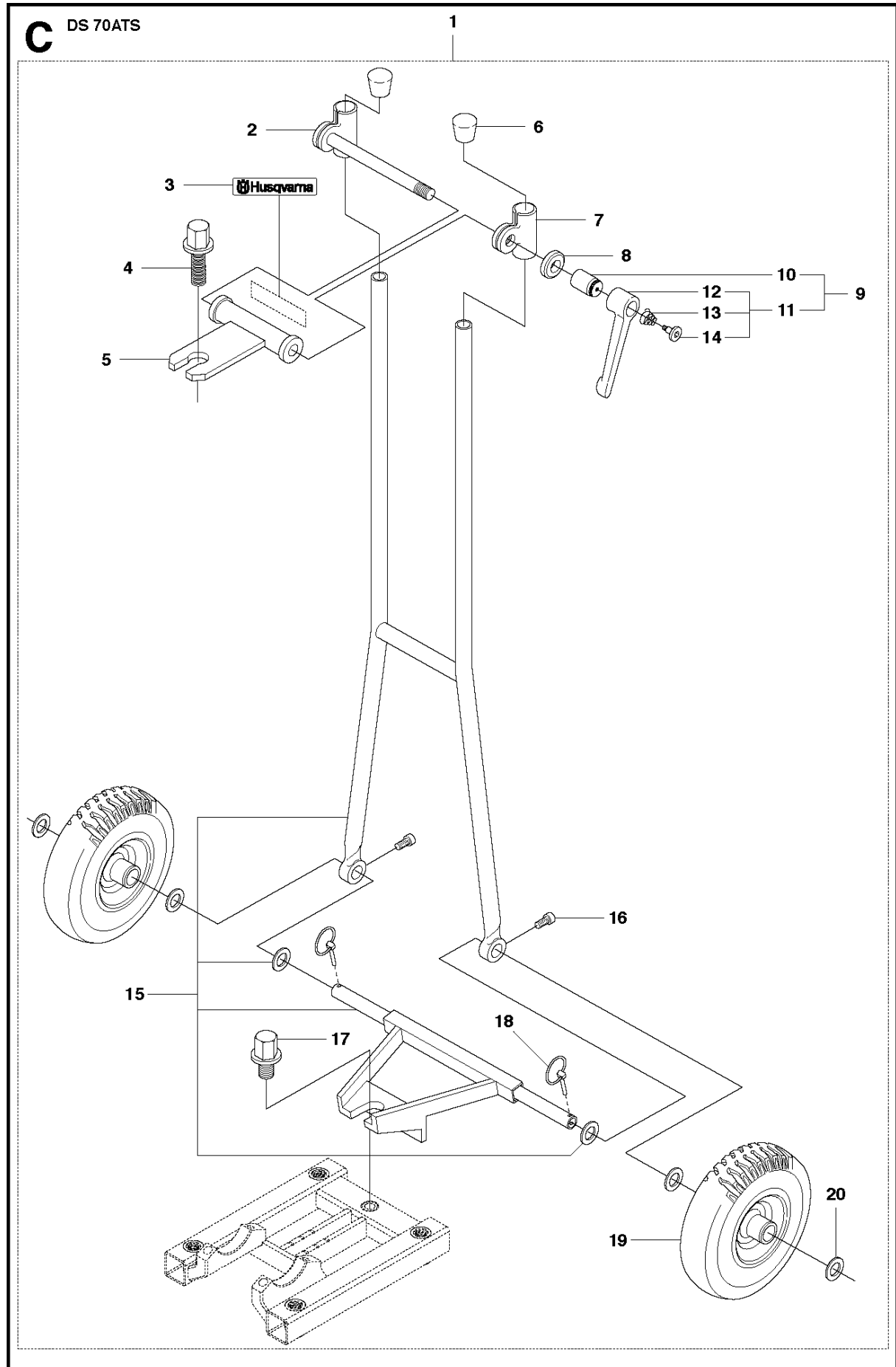
B DS 70AT/DS 70ATS



COLLUMN ASSY

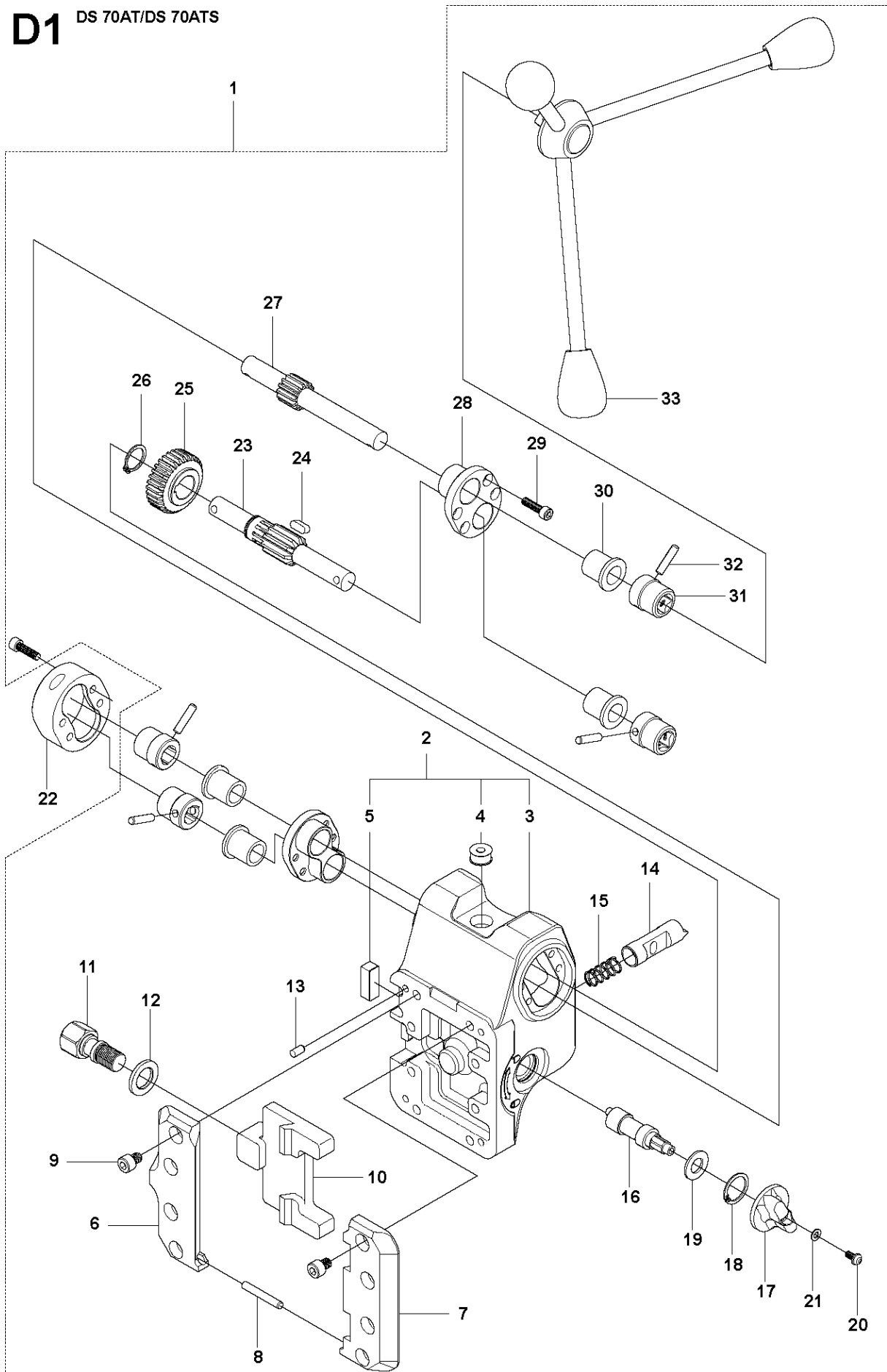
DS70 AT, 2008-05

Ref	Part No	Description	Remark	QTY KIT
1	504 90 84-01	COLUMN	Incl. 2-5	1
2	504 90 84-04	COLUMN		1
3	504 90 84-05	COLUMN		1
4	504 04 84-01	STOP		1
5	504 90 84-06	COLUMN		1



Ref	Part No	Description	Remark	QTY KIT
1	506 40 76-10	SUPPORT ASSY	Incl. 2-9, 15-20	1
2	531 14 07-37	SLEEVE		1
3	504 02 10-01	DECAL		1
4	531 14 07-35	SCREW		1
5	504 02 09-01	FORK		1
6	531 14 07-38	PLUG		2
7	531 14 07-39	SLEEVE		1
8	531 14 06-76	WASHER		1
9	506 40 77-15	JUSTERVRED	Incl. 10, 11	1
10	531 14 06-75	SLEEVE		1
11	501 38 46-04	HANDLE	Incl. 12-14	1
12	504 01 81-02	HANDLE		1
13	501 38 47-02	SPRING		1
14	501 38 60-02	SCREW		1
15	506 40 76-12	RETAINER		1
16	531 14 06-79	SCREW		2
17	531 14 07-43	SCREW		1
18	531 14 06-23	PEN		2
19	531 14 06-24	WHEEL		2
20	531 14 06-27	WASHER		6

D1 DS 70AT/DS 70ATS

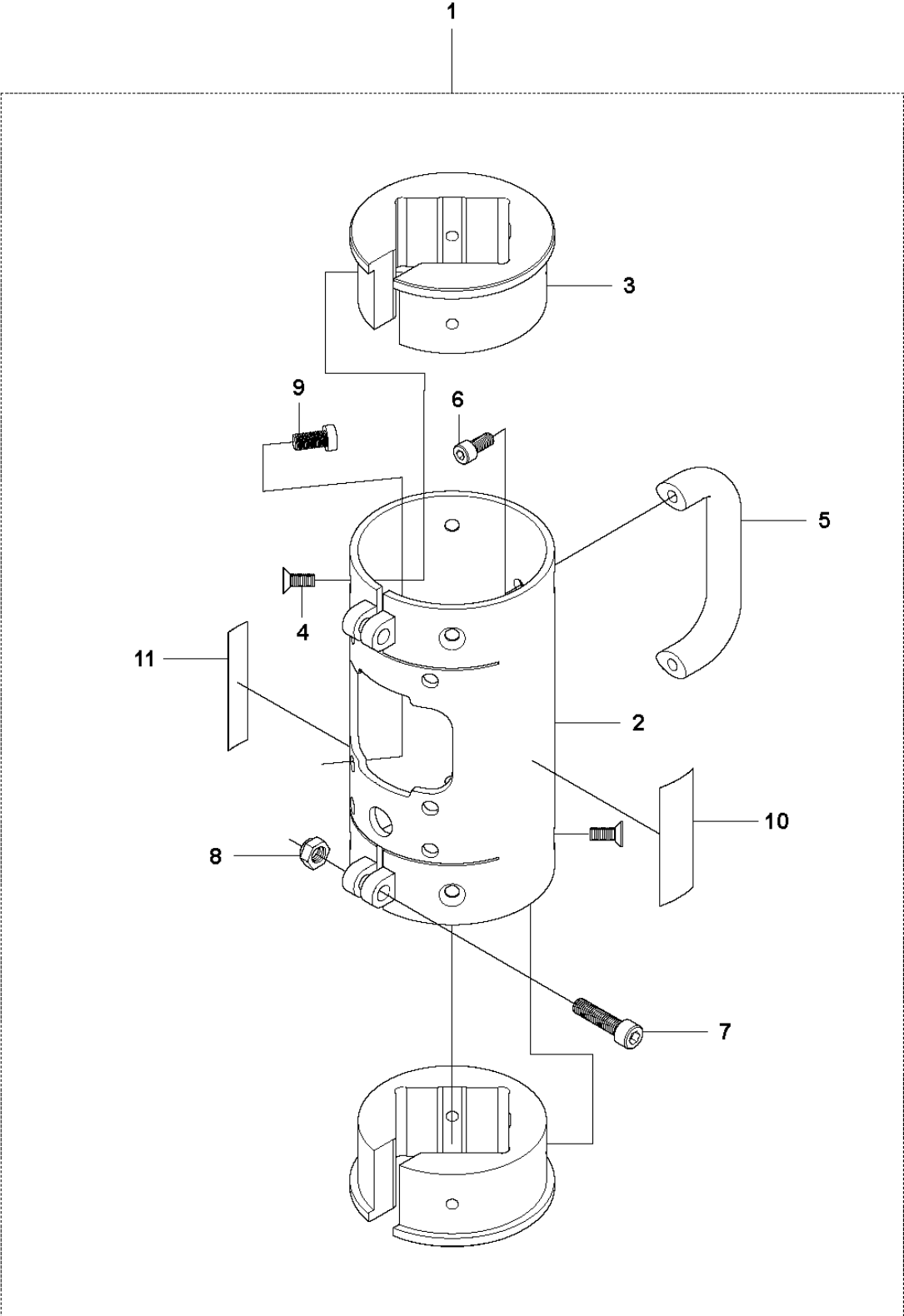


CARRIAGE

DS70 AT, 2008-05

Ref	Part No	Description	Remark	QTY KIT
1	504 90 83-01	CASE	Incl. 2, 6-33 and 2-11 on Page D2	1
2	504 90 83-28	SHREDDER CASE		1
3	504 90 83-20	SHREDDER CASE		1
4	531 14 08-97	AKRYLLIBELL LITEN		1
5	531 14 08-98	AKRYLLIBELL STOR		1
6	504 90 83-22	SHREDDER CASE		1
7	504 90 83-21	SHREDDER CASE		1
8	504 90 83-23	SHREDDER CASE		1
9	504 90 83-24	SHREDDER CASE	Incl. 10, 11	8
10	504 90 83-25	SHREDDER CASE		1
11	504 90 36-01	SCREW	Incl. 12-14	1
12	504 71 19-01	WASHER		1
13	504 90 83-26	PARALLEL PIN		1
14	504 71 18-01	SHAFT		1
15	505 40 03-08	SHREDDER CASE		1
16	505 40 03-09	SHREDDER CASE		1
17	504 90 83-17	CASE		1
18	504 90 83-16	SHREDDER CASE		1
19	504 90 83-15	SHREDDER CASE		1
20	504 90 83-19	SHREDDER CASE		1
21	504 90 83-18	SHREDDER CASE		1
22	504 90 83-37	SHREDDER CASE		1
23	582 89 30-01	GEAR WHEEL SHAFT		1
24	504 90 83-36	SHREDDER CASE		1
25	504 60 04-01	GEAR WHEEL		1
26	504 90 83-05	SHREDDER CASE		1
27	504 90 86-01	GEAR WHEEL SHAFT		1
28	504 90 83-07	SHREDDER CASE		2
29	504 90 83-12	SHREDDER CASE		8
30	504 90 83-08	SHREDDER CASE		4
31	504 90 83-09	CASE		4
32	504 90 83-10	SHREDDER CASE		4
33	504 90 83-27	SHREDDER CASE		1

D2 DS 70AT/DS 70ATS

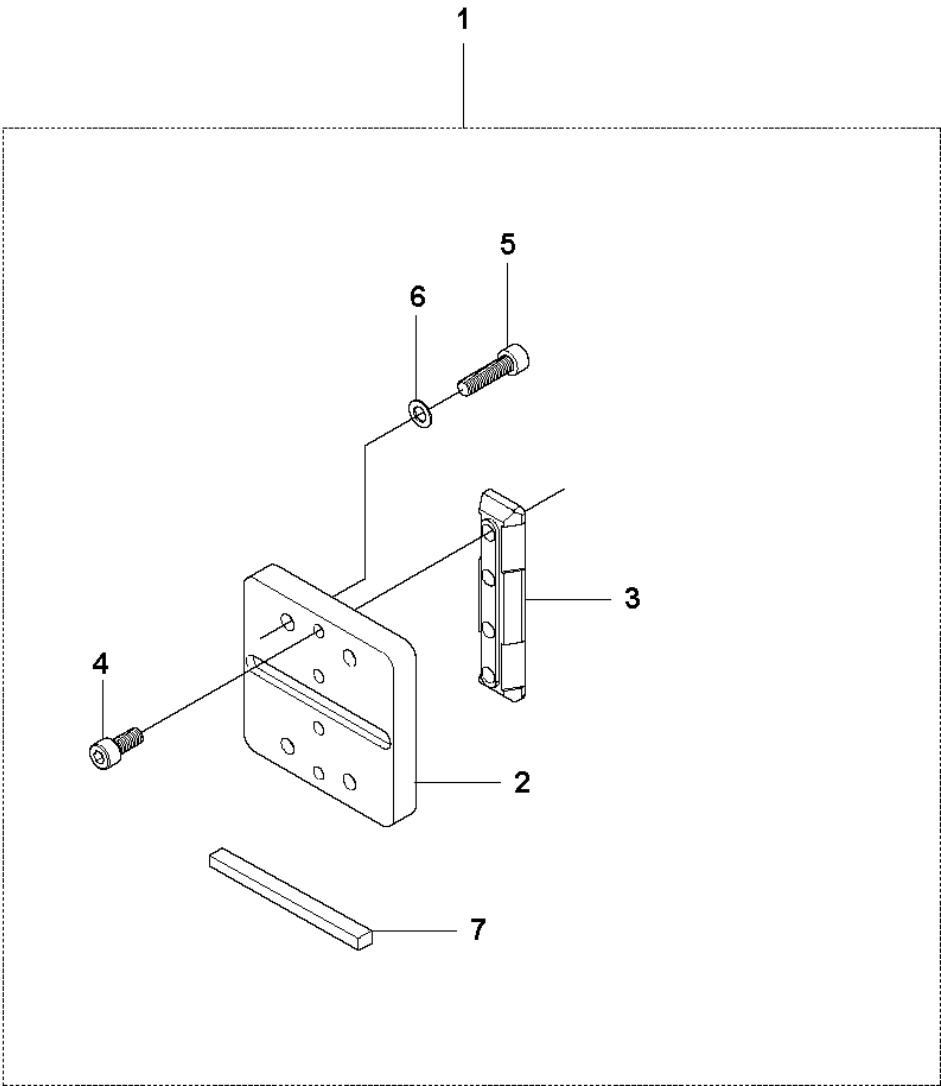


SHREDDER CASE

DS70 AT, 2008-05

Ref	Part No	Description	Remark	QTY KIT
1	504 90 83-01	CASE	Incl. 2-11 and 2, 6-33 on Page D1	1
2	504 90 83-29	SHREDDER CASE		1
3	504 90 83-32	SHREDDER CASE		2
4	531 14 06-58	SCREW		8
5	504 90 83-30	SHREDDER CASE		1
6	531 14 06-85	SCREW		2
7	531 14 06-86	SCREW		2
8	531 14 06-30	NUT		2
9	504 90 83-34	SHREDDER CASE		6
10	504 90 83-31	SHREDDER CASE		1
11	504 02 10-01	DECAL		1

E DS 70AT/DS 70ATS

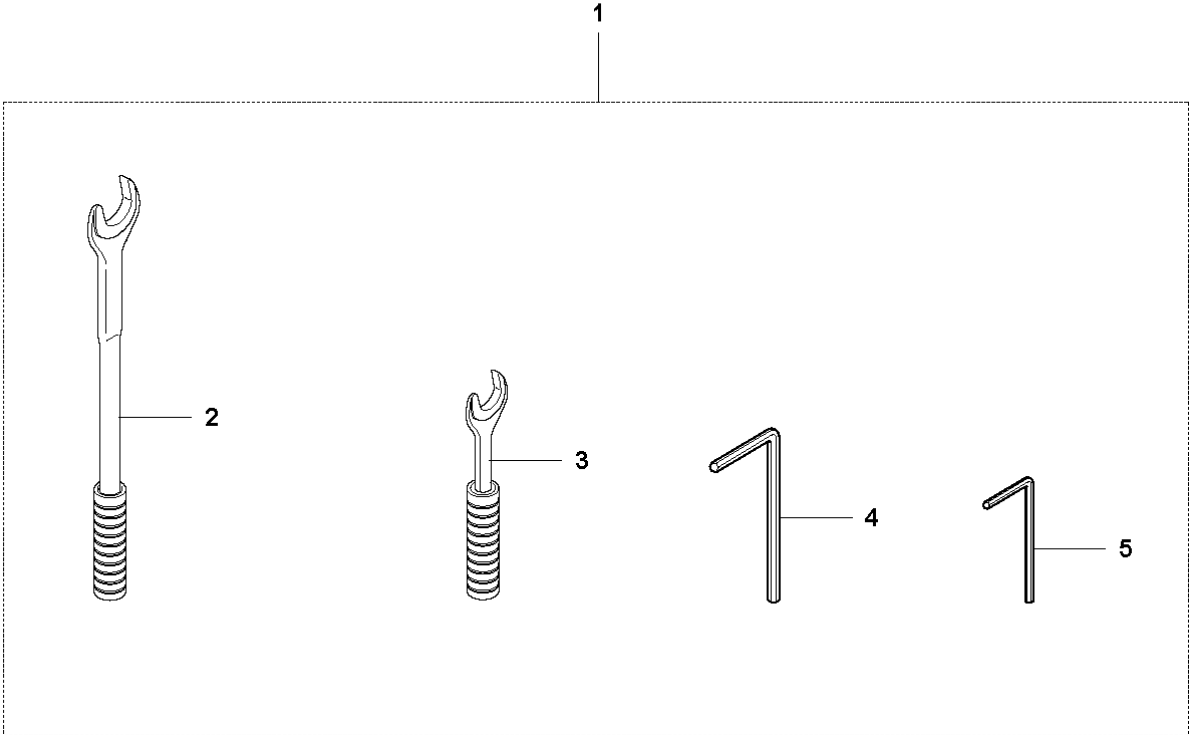


FRAME

DS70 AT, 2008-05

Ref	Part No	Description	Remark	QTY KIT
1	506 40 08-07	BRACKET	Incl. 2-6	1
2	504 71 92-01	BRACKET		1
3	504 90 83-33	SHREDDER CASE		1
4	504 69 63-01	SCREW		4
5	531 14 06-59	SCREW		4
6	531 14 07-12	WASHER		4
7	531 14 06-74	WEDGE		1

F DS 70AT/DS 70ATS
TOOLKIT



TOOLS

DS70 AT, 2008-05

Ref	Part No	Description	Remark	QTY KIT
1	506 40 86-03	TOOL KIT	Incl. 2-5	1
2	544 45 72-02	SPANNER		1
3	544 22 27-02	SPANNER		1
4	531 14 07-62	HEX KEY		1
5	544 27 98-01	HEX KEY		1