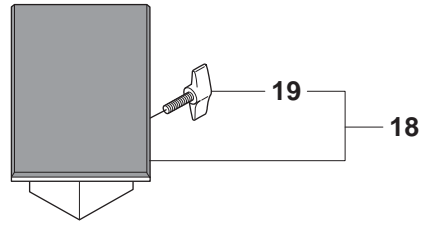


DS50 Basic
DS50 Combi

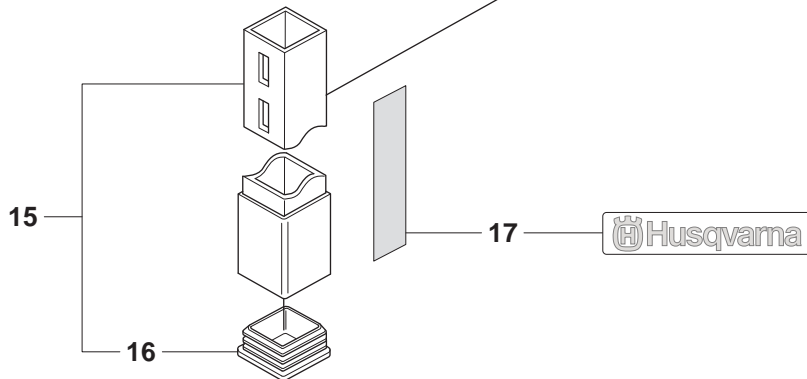
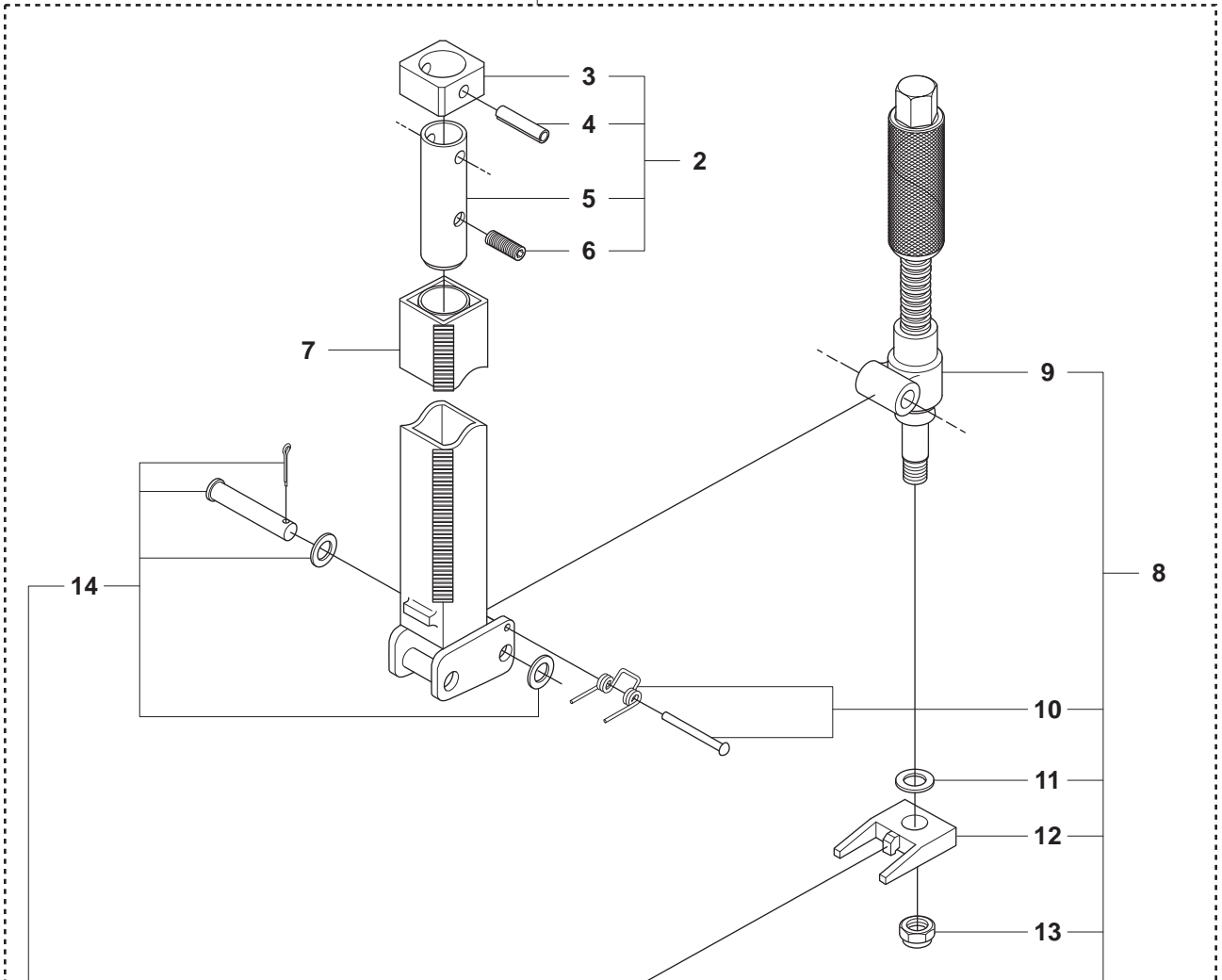
Reservdelar
Spare parts
Ersatzteile
Pieces de rechange
Piezas de repuesto
Ricambi
Peças sobresselente

A

DS50 BASIC/COMBI



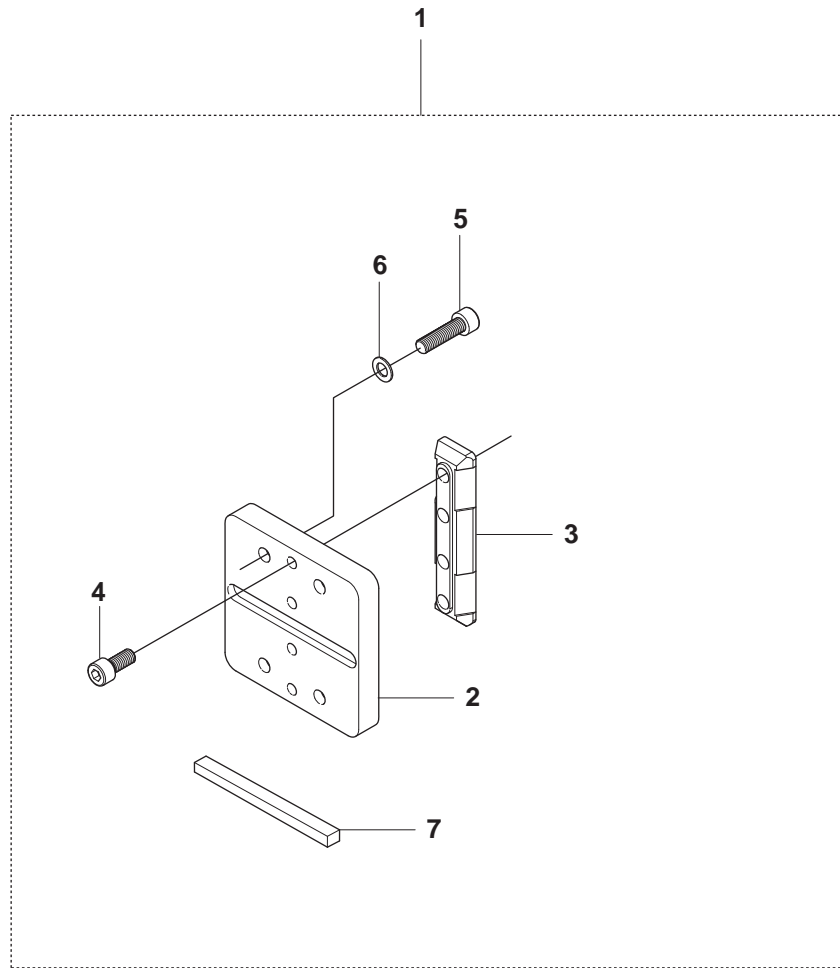
1



Page A**DS50 BASIC / COMBI**

| Pos. | Part No. | Description | Quantity | Notes |
|-------------|-----------------|------------------------|-----------------|-----------------------|
| 1 | 506 40 83-05 | EXPANDABLE COLUMN ASSY | 1 | Incl. 2, 7, 8, 15, 17 |
| 2 | 506 40 82-01 | SLEEVE CPL | 1 | Incl. 3-6 |
| 3 | 531 14 07-53 | STOP SLEEVE | 1 | |
| 4 | 531 14 06-05 | PIN | 1 | |
| 5 | 531 14 06-06 | STOP PIN | 1 | |
| 6 | 531 14 06-07 | SCREW | 1 | |
| 7 | 506 40 04-01 | PIPE OUTER | 1 | |
| 8 | 506 40 81-05 | ADJUSTER CPL | 1 | Incl. 9-14 |
| 9 | 506 40 81-07 | ADJUSTER | 1 | |
| 10 | 506 40 14-02 | BOLT KIT | 1 | |
| 11 | 531 14 06-13 | WASHER | 1 | |
| 12 | 531 14 06-16 | FORK | 1 | |
| 13 | 531 14 06-14 | NUT | 1 | |
| 14 | 506 40 14-01 | BOLT KIT | 1 | |
| 15 | 506 40 05-01 | PIPE INNER | 1 | Incl. 16 |
| 16 | 531 14 06-20 | PLUG | 1 | |
| 17 | 504 02 10-02 | DECAL | 1 | |
| 18 | 506 40 84-06 | TOP SUPPORT CPL | 1 | Incl. 19 |
| 19 | 531 14 06-02 | WING SCREW | 1 | |

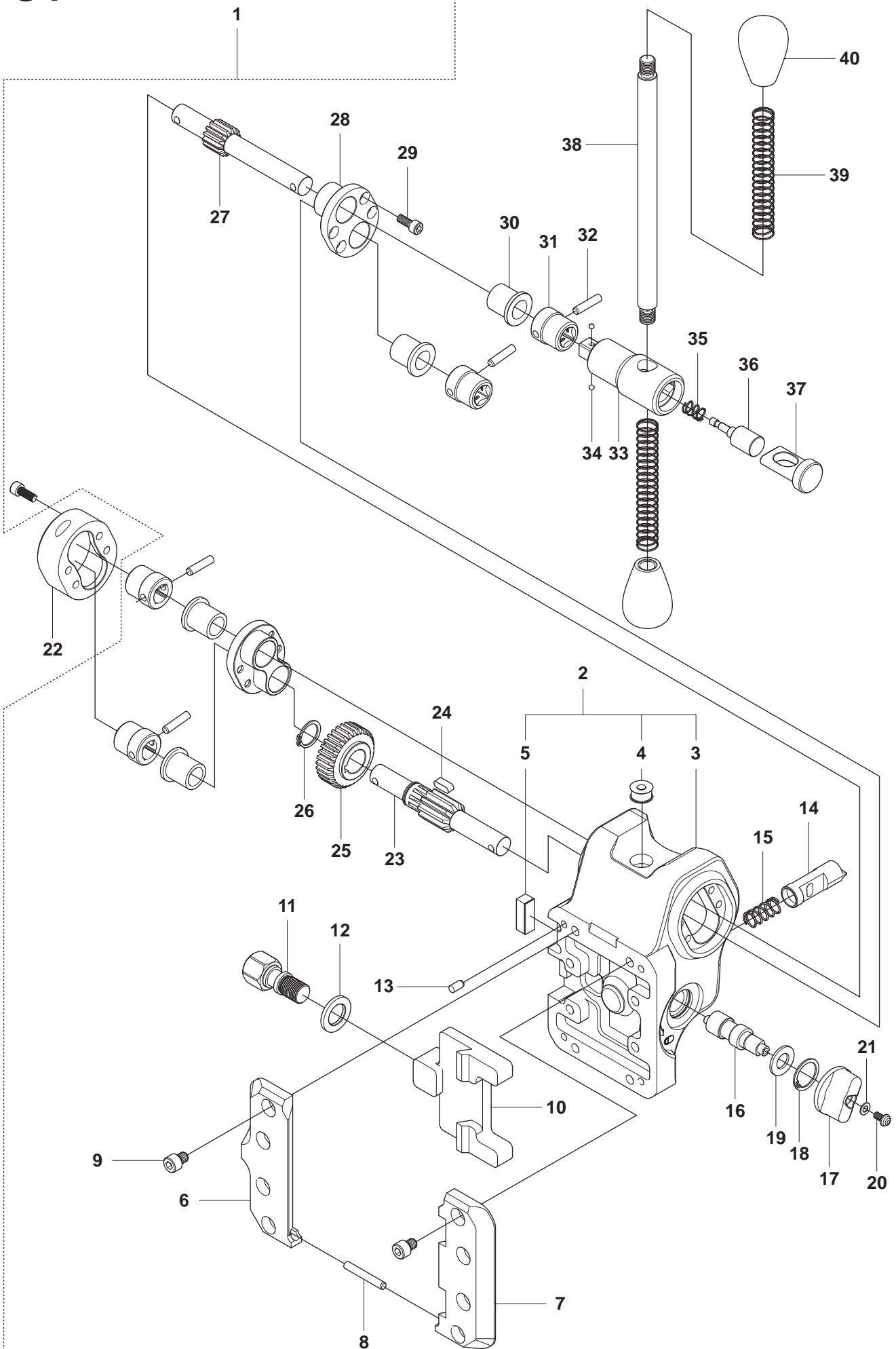
B DS50 BASIC/COMBI



Page B**DS50 BASIC/COMBI**

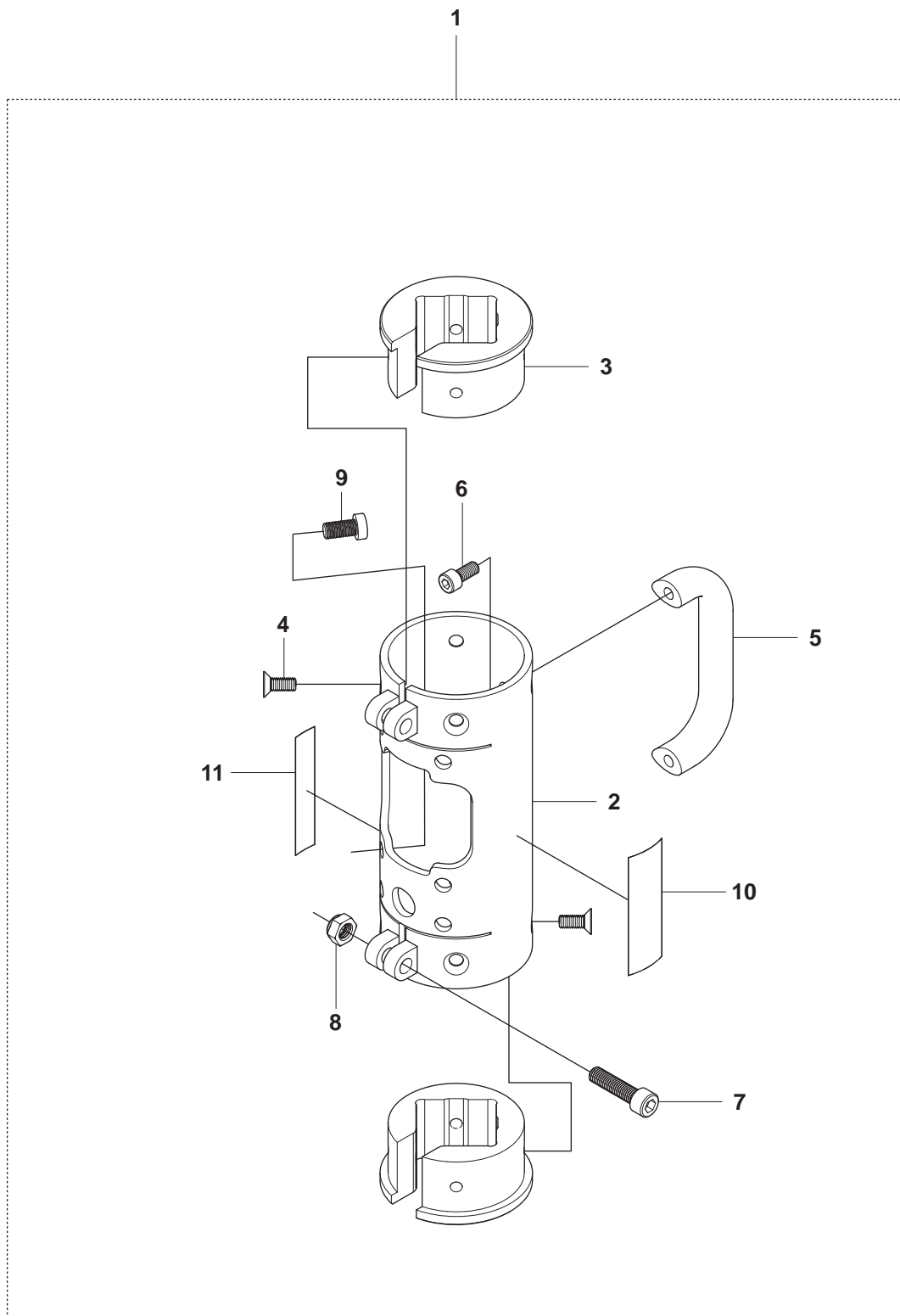
| Pos. | Part No. | Description | Quantity | Notes |
|-------------|-----------------|------------------------|-----------------|--------------|
| 1 | 506 40 08-07 | MOTOR MOUNT 50/70 ASSY | 1 | Incl. 2-6 |
| 2 | 504 71 92-01 | MOTOR MOUNT 50/70 | 1 | |
| 3 | 504 90 83-33 | WEDGE | 1 | |
| 4 | 504 69 63-01 | SCREW | 4 | |
| 5 | 531 14 06-59 | SCREW | 4 | |
| 6 | 531 14 07-12 | WASHER | 4 | |
| 7 | 531 14 06-74 | WEDGE | 1 | |

C1 DS50 BASIC/COMBI



Page C1**DS50 BASIC/COMBI**

| Pos. | Part No. | Description | Quantity | Notes |
|-------------|-----------------|------------------------|-----------------|-------------------------------------|
| 1 | 505 40 03-01 | DRILL CARRIAGE 50 ASSY | 1 | Incl. 2, 6-41 and 2-11 on Page C2 |
| 2 | 505 40 03-10 | MOUNTING BRACKET ASSY | 1 | Incl. 3-5 |
| 3 | 505 40 03-07 | MOUNTING BRACKET | 1 | |
| 4 | 531 14 08-97 | LEVEL ROUND | 1 | |
| 5 | 531 14 08-98 | LEVEL SQUARE | 1 | |
| 6 | 504 90 83-22 | MOUNTING PLATE | 1 | |
| 7 | 504 90 83-21 | MOUNTING PLATE | 1 | |
| 8 | 504 90 83-23 | PIN | 1 | |
| 9 | 504 90 83-24 | SCREW | 8 | |
| 10 | 504 90 83-25 | LOCK SLEDGE | 1 | |
| 11 | 504 90 36-01 | SCREW | 1 | |
| 12 | 504 71 19-01 | WASHER | 1 | |
| 13 | 504 90 83-26 | PIN | 1 | |
| 14 | 504 71 18-02 | SLEEVE | 1 | |
| 15 | 505 40 03-08 | SPRING | 1 | |
| 16 | 505 40 03-09 | SLEEVE | 1 | |
| 17 | 504 90 83-17 | KNOB | 1 | |
| 18 | 504 90 83-16 | WASHER | 1 | |
| 19 | 504 90 83-15 | WASHER | 1 | |
| 20 | 504 90 83-19 | SCREW | 1 | |
| 21 | 504 90 83-18 | WASHER | 1 | |
| 22 | 504 90 83-37 | BRACKET | 0 | Fitting for Autofeed, not included. |
| 23 | 504 90 49-01 | SHAFT | 1 | |
| 24 | 504 90 83-36 | WEDGE | 1 | |
| 25 | 504 60 06-01 | GEAR WHEEL | 1 | |
| 26 | 504 90 83-35 | WASHER | 1 | |
| 27 | 504 60 06-02 | SHAFT | 1 | |
| 28 | 504 90 83-07 | LID | 2 | |
| 29 | 504 90 83-12 | SCREW | 8 | |
| 30 | 504 90 83-08 | BUSHING | 4 | |
| 31 | 504 90 83-09 | SLEEVE | 4 | |
| 32 | 504 90 83-10 | PIN | 4 | |
| 33 | 505 40 03-03 | SLEEVE | 1 | |
| 34 | 504 90 83-05 | BALL | 2 | |
| 35 | 504 90 83-04 | SPRING | 1 | |
| 36 | 505 40 03-04 | PLUG | 1 | |
| 37 | 505 40 03-05 | HOLDER | 1 | |
| 38 | 531 14 06-82 | LEVER | 1 | |
| 39 | 531 14 06-73 | SPRING | 2 | |
| 40 | 531 14 06-72 | GRIP | 2 | |

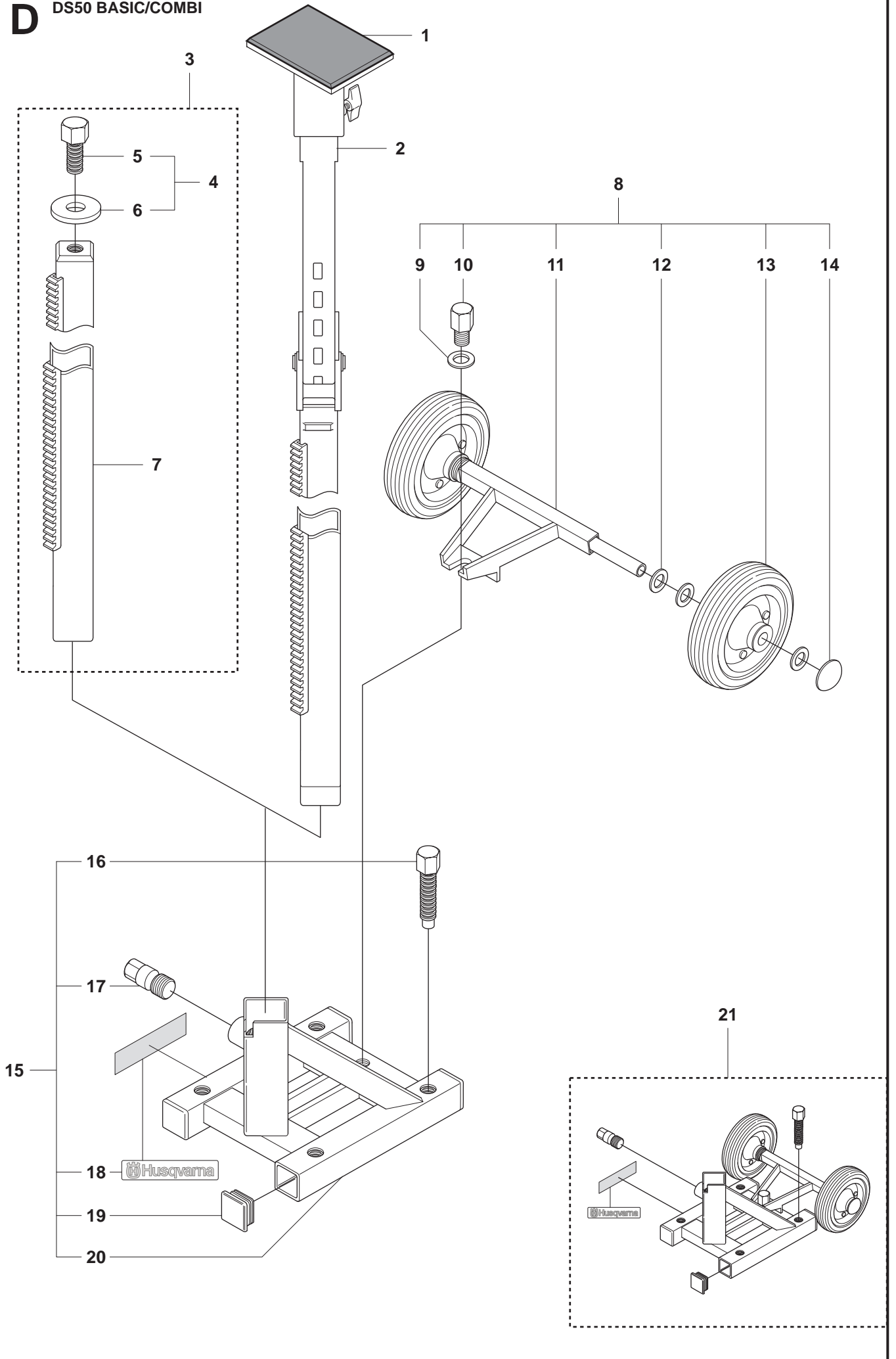


Page C2**DS50 BASIC/COMBI**

| Pos. | Part No. | Description | Quantity | Notes |
|-------------|-----------------|------------------------|-----------------|-----------------------------------|
| 1 | 505 40 03-01 | DRILL CARRIAGE 50 ASSY | 1 | Incl. 2-11 and 2, 6-41 on Page C1 |
| 2 | 505 40 03-11 | DRILL CARRIAGE 50 | 1 | |
| 3 | 531 14 08-82 | BUSHING | 2 | |
| 4 | 531 14 06-58 | SCREW | 8 | |
| 5 | 505 40 03-12 | HANDLE | 1 | |
| 6 | 531 14 06-85 | SCREW | 2 | |
| 7 | 531 14 06-86 | SCREW | 2 | |
| 8 | 531 14 06-30 | NUT | 2 | |
| 9 | 504 90 83-04 | SCREW | 6 | |
| 10 | 544 12 85-02 | DECAL CE | 1 | |
| 11 | 504 02 10-01 | DECAL HUSQVARNA | 1 | |

D

DS50 BASIC/COMBI

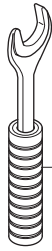
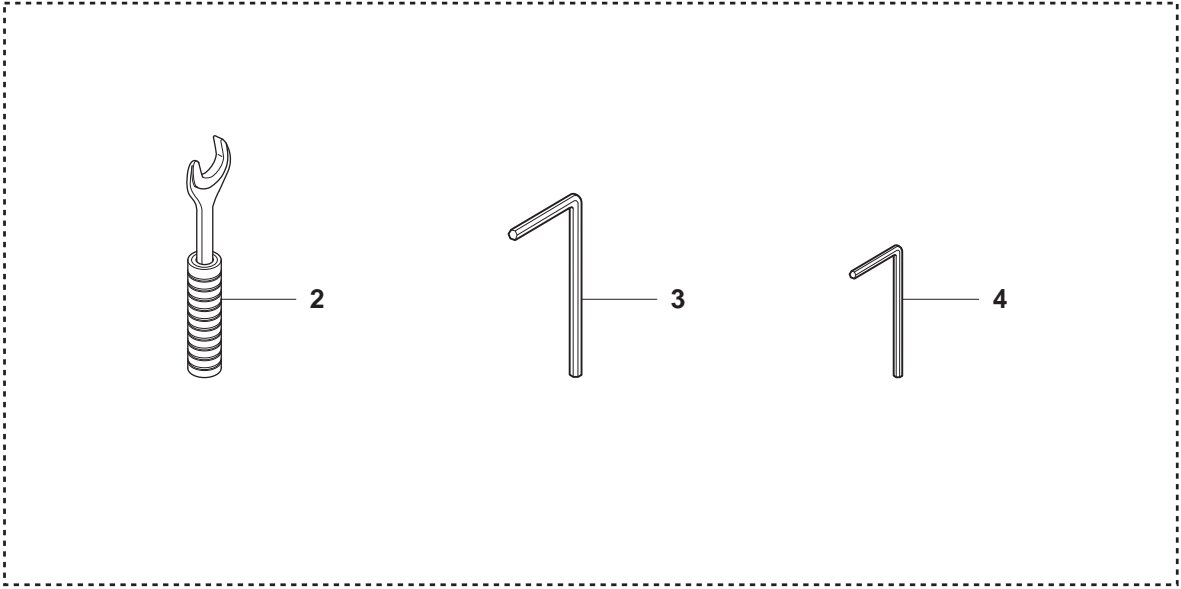


Page D**DS50 BASIC / COMBI**

| Pos. | Part No. | Description | Quantity | Notes |
|-------------|-----------------|---------------------------|-----------------|-----------------|
| 1 | 506 40 84-06 | TOP SUPPORT CPL | 1 | SEE ALSO PAGE A |
| 2 | 506 40 83-05 | EXPANDABLE COLUMN ASSY | 1 | SEE ALSO PAGE A |
| 3 | 506 40 88-09 | DRILL RACK BASIC ASSY | 1 | Incl. 4, 7 |
| 4 | 504 04 81-01 | STOP SCREW 50 CPL | 1 | Incl. 5, 6 |
| 5 | 504 04 84-01 | STOP SCREW | 1 | |
| 6 | 504 04 82-01 | WASHER | 1 | |
| 7 | 544 03 01-01 | DRILL RACK BASIC | 1 | |
| 8 | 506 40 76-09 | SHAFT HOLDER WITH WHEEL | 1 | Incl. 9-14 |
| 9 | 531 14 07-22 | WASHER | 1 | |
| 10 | 531 14 07-23 | SCREW | 1 | |
| 11 | 504 02 06-02 | SHAFT HOLDER | 1 | |
| 12 | 531 14 06-27 | WASHER | 6 | |
| 13 | 531 14 07-28 | WHEEL | 2 | |
| 14 | 531 14 07-30 | COVER PLATE | 2 | |
| 15 | 506 40 79-13 | BASE PLATE BASIC NO WHEEL | 1 | Incl. 16-20 |
| 16 | 531 14 06-18 | ADJUSTMENT SCREW | 4 | |
| 17 | 544 06 97-01 | LOCKING SCREW | 1 | |
| 18 | 504 02 10-02 | DECAL | 1 | |
| 19 | 531 14 06-20 | PLUG | 4 | |
| 20 | 504 03 04-03 | BASE PLATE BASIC | 1 | |
| 21 | 506 40 80-14 | BASE PLATE BASIC ASSY | 1 | |

E DS50 BASIC/COMBI
TOOLKIT

1



2



3



4

Page E

DS50 BASIC / COMBI

| Pos. | Part No. | Description | Quantity | Notes |
|-------------|-----------------|--------------------|-----------------|--------------|
| 1 | 506 40 86-02 | TOOL KIT | 1 | Incl. 2-4 |
| 2 | 544 22 27-02 | SPANNER 24MM | 1 | |
| 3 | 531 14 07-62 | L ALLEN KEY 8MM | 1 | |
| 4 | 544 27 98-01 | L ALLEN KEY 6MM | 1 | |