

DS 450

Reservdelar

Spare parts

Ersatzteile

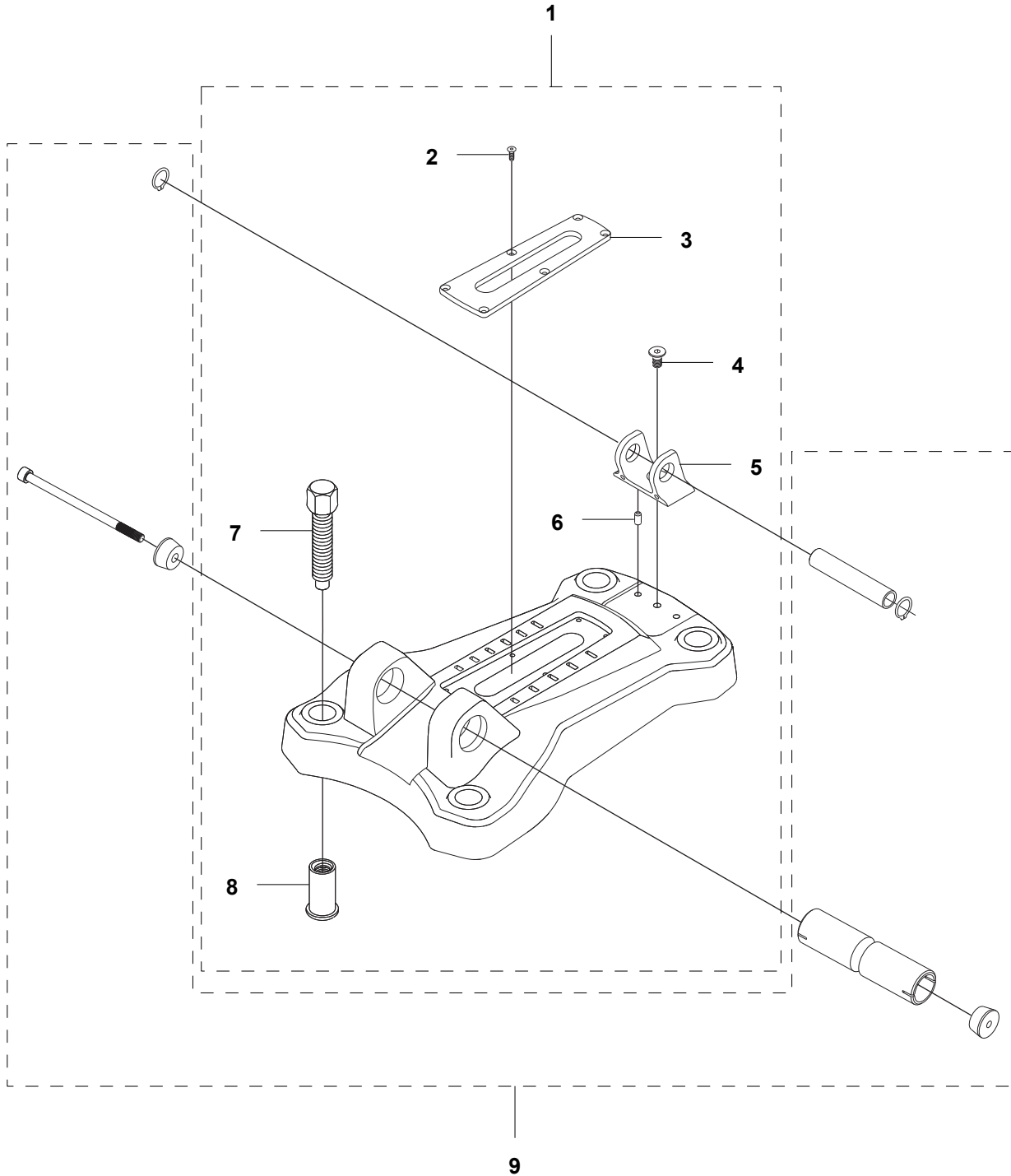
Pieces de rechange

Piezas de repuesto

Ricambi

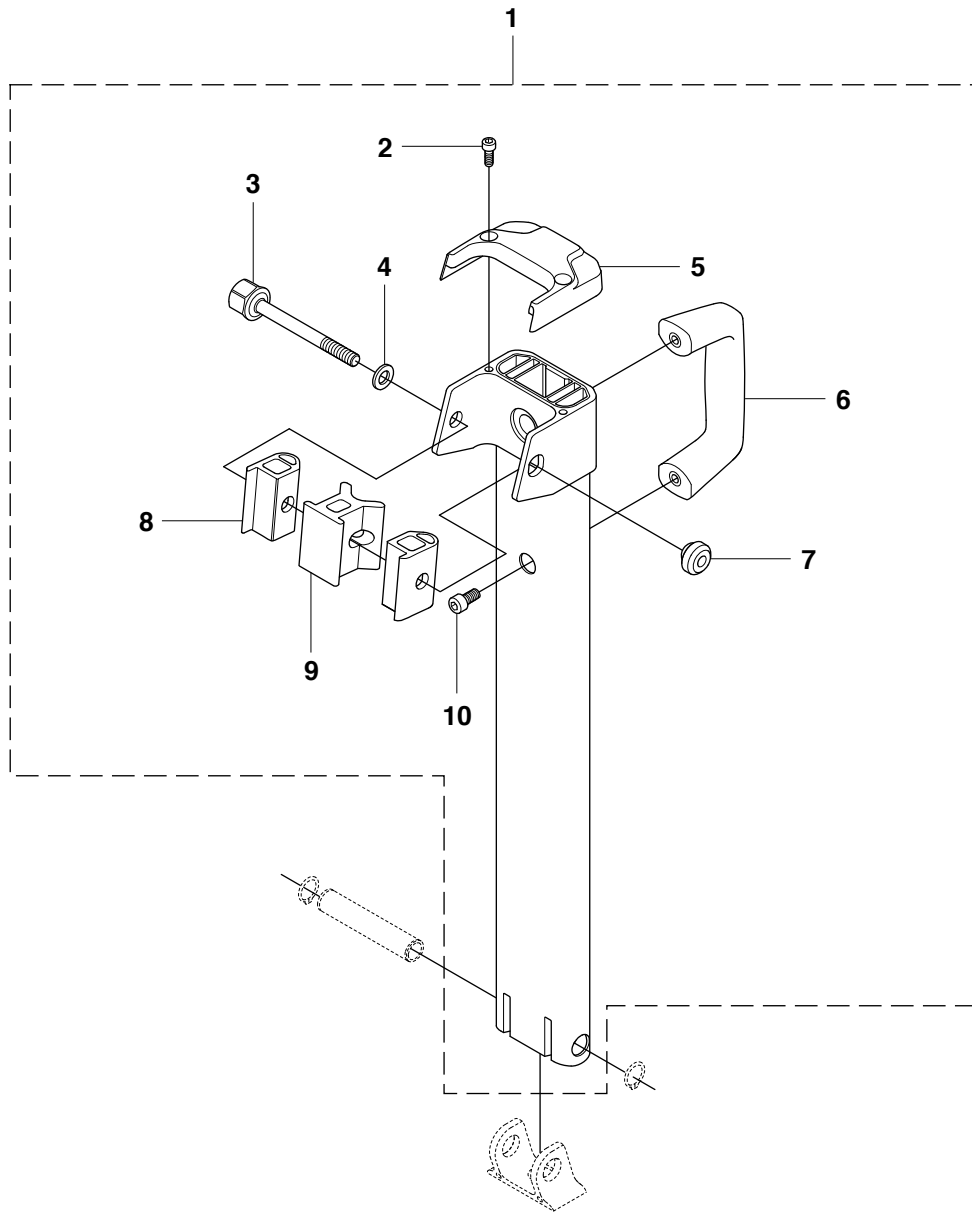
Peças sobresselente

**A** DS 450  
ANCHOR BASE



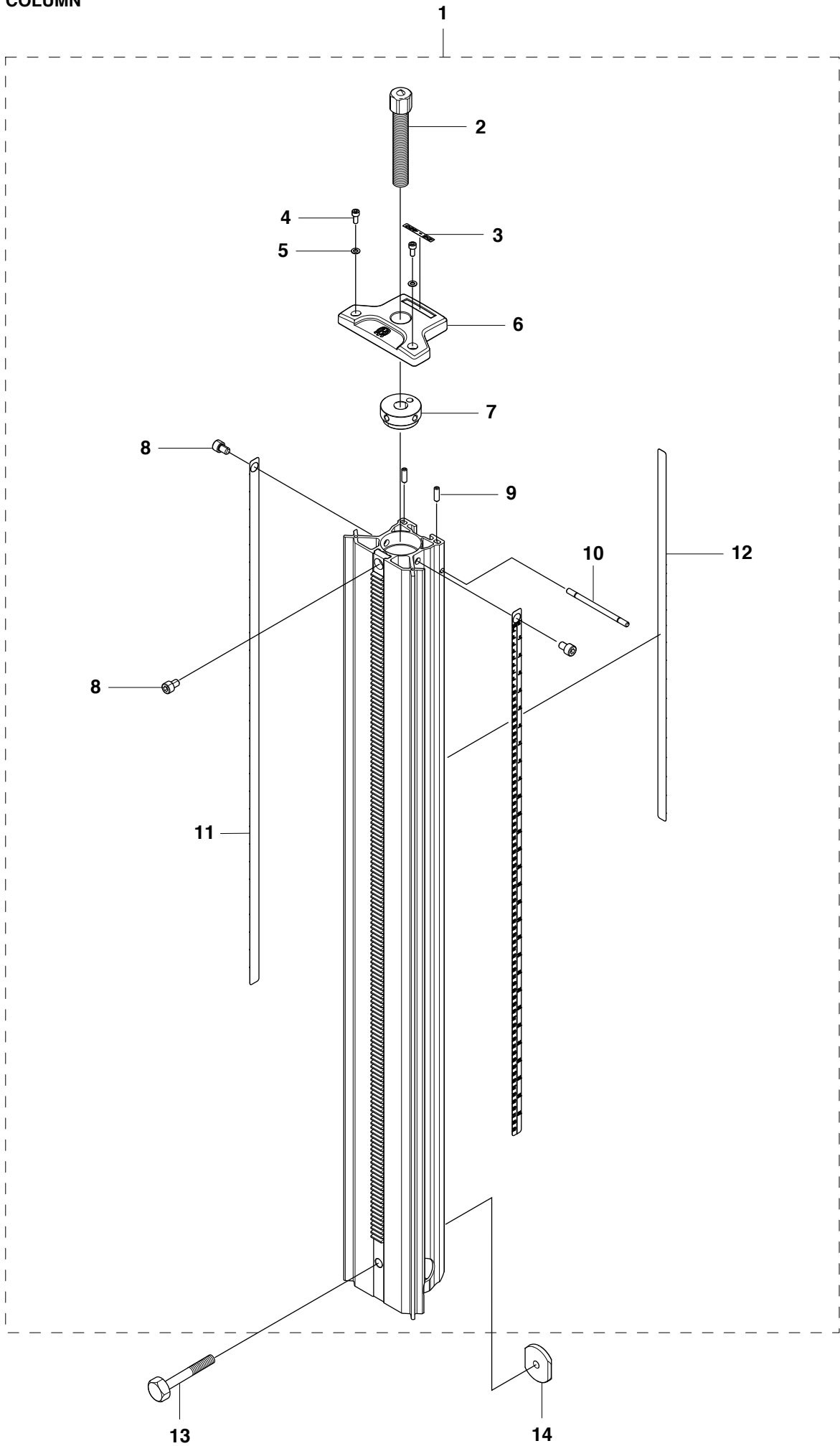
Page A		DS 450			
Position	Article	Description	Quantity	Notes	Kit
1	541 40 50-52	ANCHOR BASE ASSY	1		
2	725 62 92-01	SCREW	6		1
3	541 40 50-57	PLATE	1		1
4	725 64 49-01	SCREW	1		1
5	541 40 50-56	BACK SUPPORT MOUNT	1		1
6	720 13 49-51	DOWEL PIN	2		1
7	541 40 50-50	LEVELING SCREW	4		1
8	541 40 50-51	BASE INSERT	4		1
9	579 61 02-01	KIT, COLUMN AND BACK SUPPORT FASTENERS	1		

**B** DS 450  
BACK SUPPORT



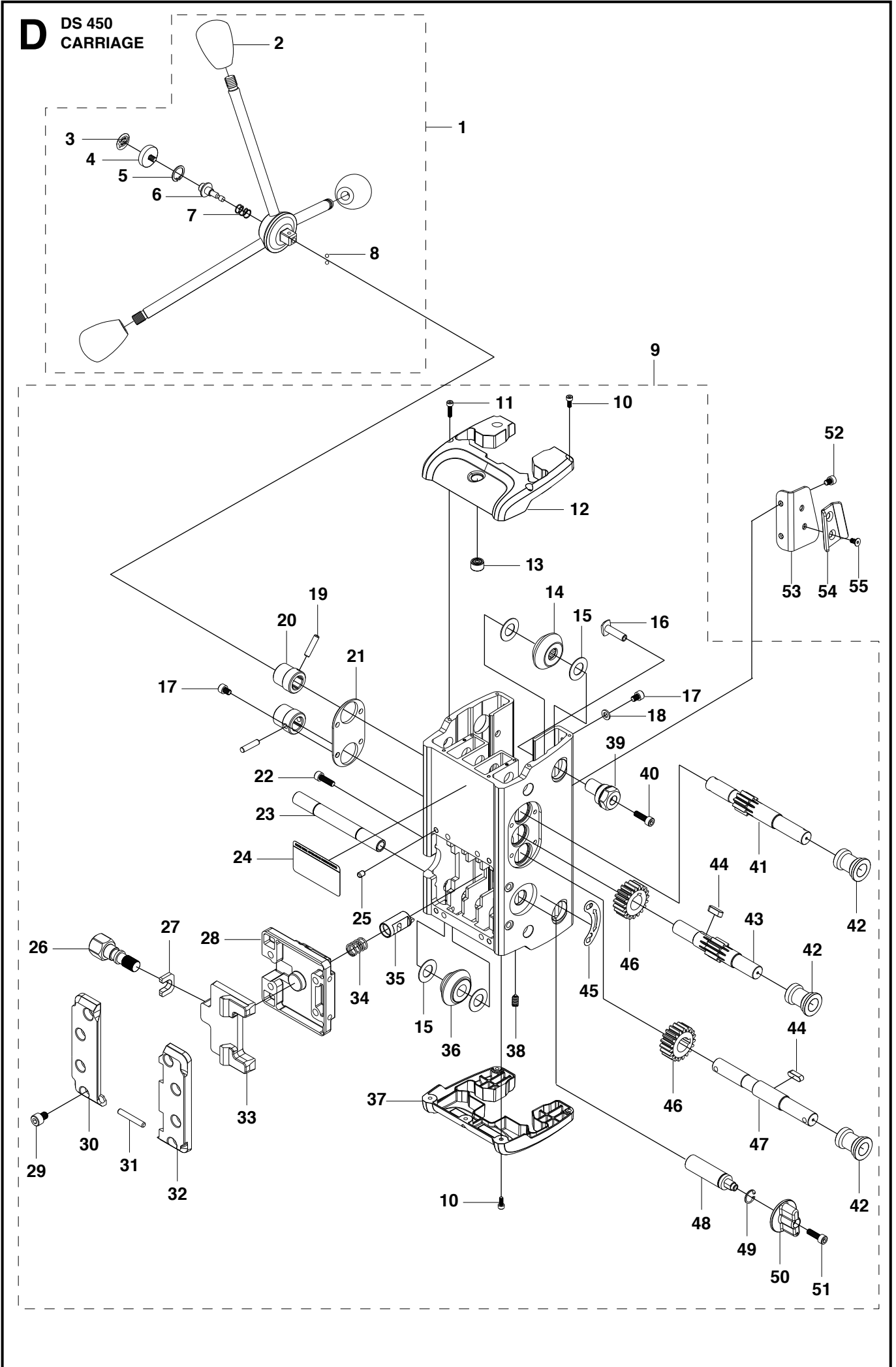
Page B		DS 450			
Position	Article	Description	Quantity	Notes	Kit
1	541 40 50-78	BACK SUPPORT ASSY	1		
2	725 53 68-01	SCREW	2		1
3	541 40 50-70	CLAMP BOLT	1		1
4	734 11 72-01	WASHER	1		1
5	541 40 50-72	BACK SUPPORT GUARD	1		1
6	541 40 49-09	HANDLE	1		1
7	541 40 48-27	BUSHING	1		1
8	541 40 50-69	CLAMP SIDE	2		1
9	541 40 50-68	CLAMP WEDGE	1		1
10	725 54 49-01	SCREW	2		1

**C** DS 450  
COLUMN



Page C		DS 450			
Position	Article	Description	Quantity	Notes	Kit
1	579 37 24-01	COLUMN ASSY	1		
2	541 40 50-60	JACKING SCREW	1		1
3	541 40 50-64	DECAL	1		1
4	725 53 27-01	SCREW	2		1
5	734 11 46-01	WASHER	2		1
6	577 90 24-01	COLUMN GUARD TOP	1		1
7	541 40 50-61	JACKING SCREW PLATE	1		1
8	725 54 47-01	SCREW	3		1
9	728 73 70-01	SET SCREW	2		1
10	525 81 29-01	PIN	1		1
11	576 89 86-01	DEPTH MEASUREMENT DECAL	2		1
12	541 40 51-03	ANGLE MEASUREMENT DECAL	1		1
13	541 40 50-66	COLUMN CLAMP BOLT	1		
14	541 40 50-71	CLAMP NUT	1		

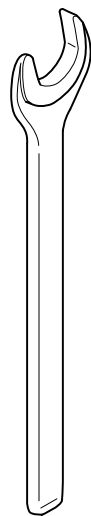
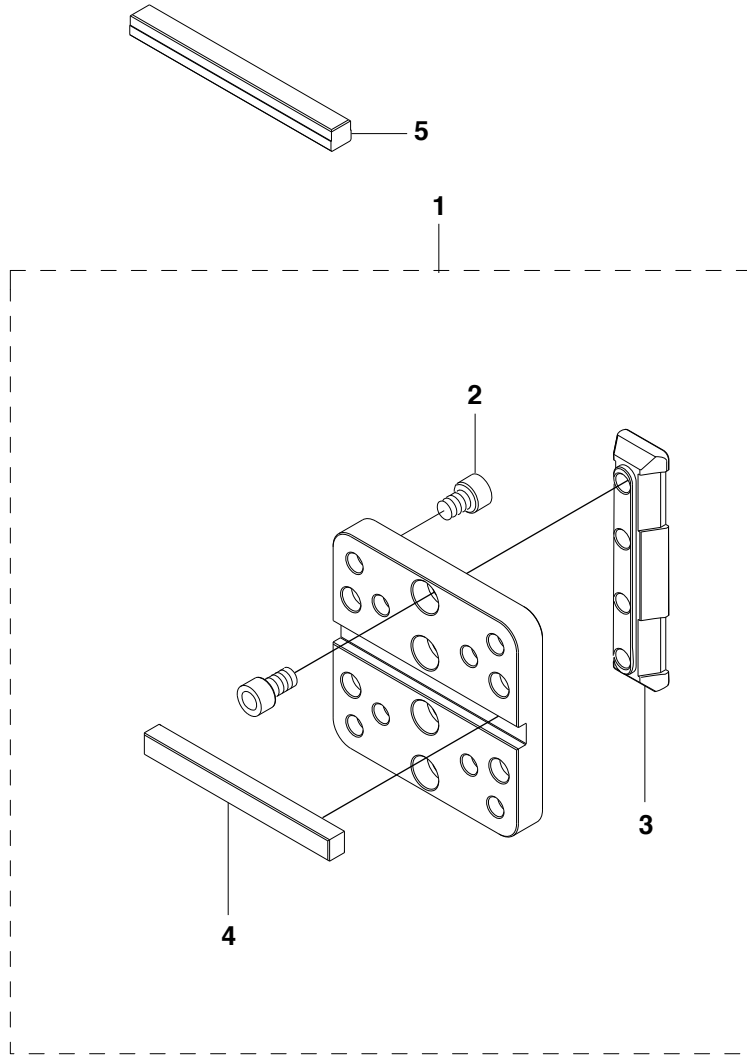
**D** DS 450  
CARRIAGE





Page D		DS 450			
Position	Article	Description	Quantity	Notes	Kit
1	541 40 50-39	FEEDING CRANK ASSY	1		
2	531 14 06-72	KNOB	3		1
3	541 40 50-47	DECAL	1		1
4	541 40 50-41	RELEASE BUTTON	1		1
5	735 31 20-10	RETAINING RING	1		1
6	541 40 50-42	RELEASE SHAFT	1		1
7	541 40 50-43	SPRING	1		1
8	738 61 14-03	BALL	2		1
9	579 43 78-01	CARRIAGE ASSY	1		
10	725 52 89-01	SCREW	7		9
11	725 52 93-01	SCREW	2		9
12	541 40 50-20	GUARD UPPER	1		9
13	541 40 50-36	LEVEL	1		9
14	579 61 03-01	ROLLER ASSY	4		9
15	543 04 50-39	ROLLER SPACER	16		9
16	541 40 50-19	ECCENTRIC ROLLER MOUNT	4		9
17	725 53 62-01	SCREW	10		9
18	734 11 52-01	WASHER	2		9
19	720 18 28-51	DOWEL PIN	4		9
20	504 90 83-09	1/2" SOCKET	4		9
21	541 40 50-10	COVER PLATE	2		9
22	725 53 72-01	SCREW	4		9
23	541 40 50-03	ROLLER SHAFT	2		9
24	541 40 40-98	DECAL	1		9
25	720 13 47-51	DOWEL PIN	4		9
26	541 40 50-06	QUICK ATTACH BOLT	1		9
27	541 40 50-27	RETAINER	1		9
28	541 40 50-22	MOUNT	1		9
29	725 54 45-01	SCREW	8		9
30	541 40 50-05	QUICK ATTACH RIGHT	1		9
31	720 13 61-51	DOWEL PIN	1		9
32	541 40 50-04	QUICK ATTACH LEFT	1		9
33	541 40 50-26	CLAMP	1		9
34	541 40 50-02	SPRING	1		9
35	578 12 86-01	BRAKE SLIDER	1		9
36	541 40 50-30	ROLLER	4		9
37	541 40 50-21	GUARD LOWER	1		9
38	728 72 89-01	SET SCREW	4		9
39	541 40 50-23	ROLLER SHAFT	4		9
40	725 53 70-01	SCREW	4		9
41	541 40 50-17	SHAFT	1		9
42	541 40 50-08	GLIDE BEARING	6		9
43	579 61 21-02	KIT, SHAFT AND PARALLEL KEY	1		9
44	541 40 50-01	KEY	2		9
45	578 12 85-01	DECAL	1		9
46	541 40 50-18	GEAR WHEEL	2		9
47	579 61 21-01	KIT, SHAFT AND PARALLEL KEY	1		9
48	579 61 09-01	SHAFT ASSY	1		9
49	735 31 20-00	RETAINING RING	1		9
50	541 40 50-35	BRAKE KNOB	1		9
51	725 53 27-01	SCREW	1		9
52	725 53 62-01	SCREW	2	Only US	
53	541 40 51-15	MOUNT	1	Only US	
54	541 40 40-41	BRACKET	1	Only US	
55	725 63 25-01	SCREW	2	Only US	

**E** DS 450  
TOOLS AND ACCESSORIES



6



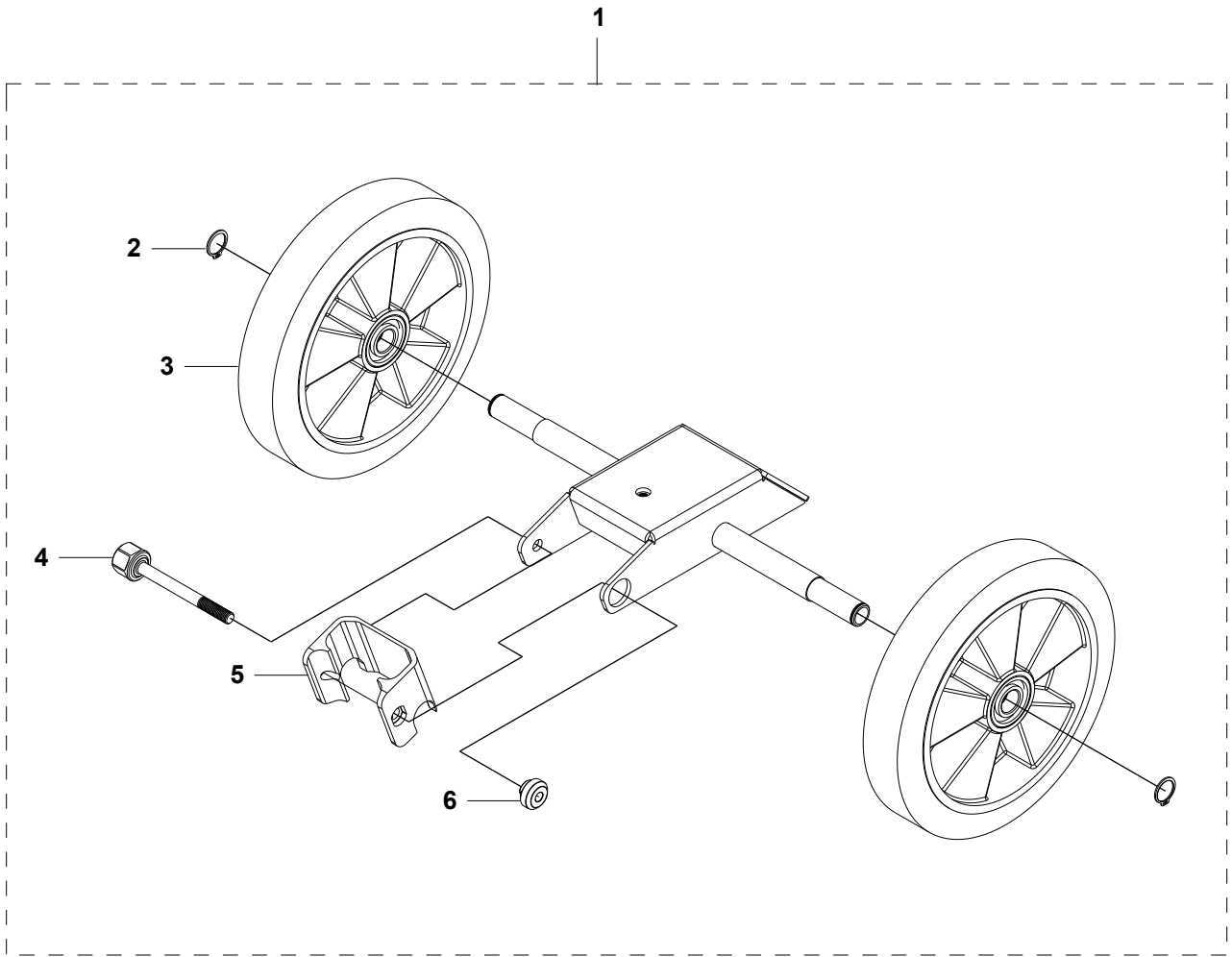
7



8

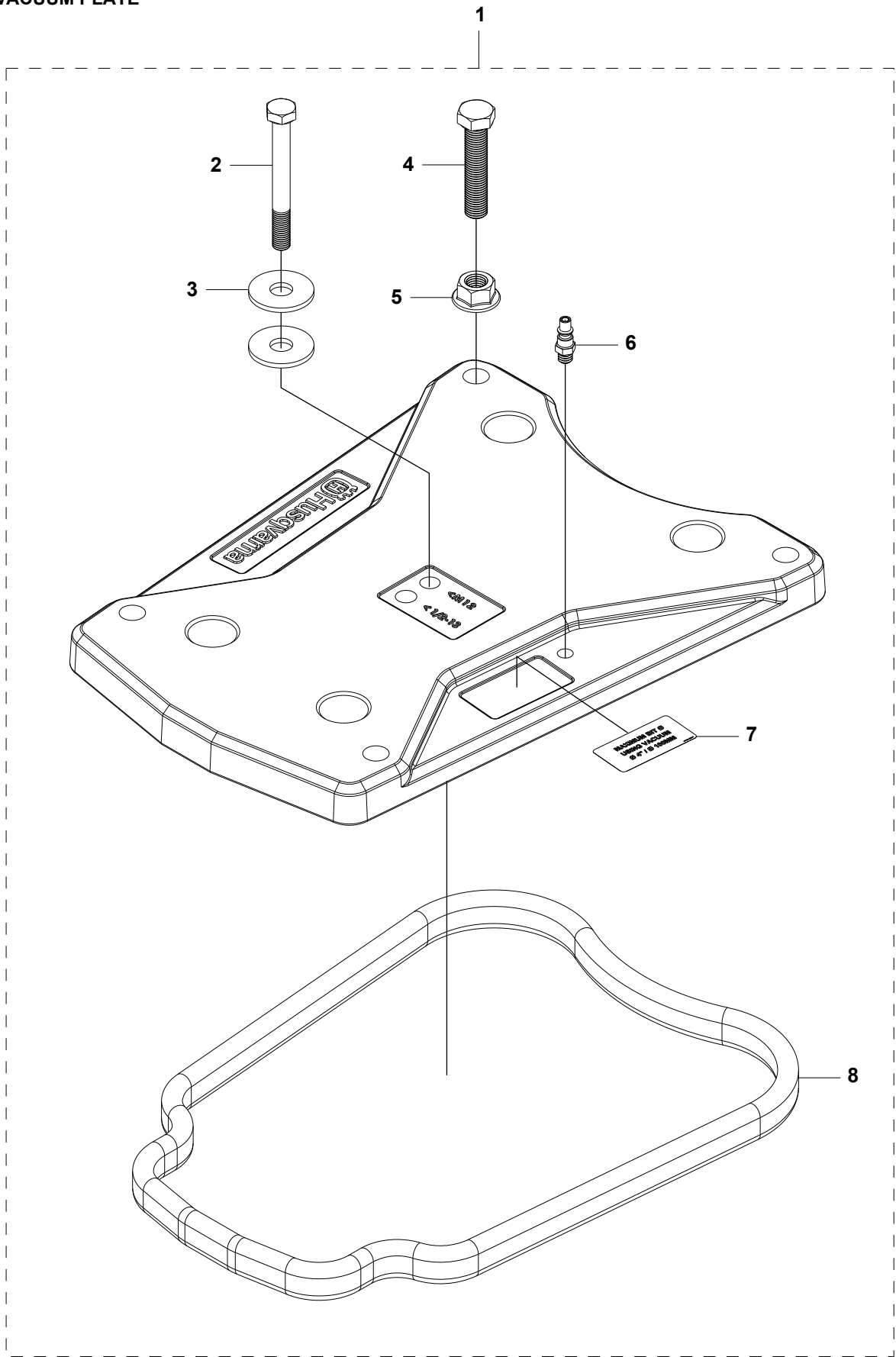
Page E DS 450					
Position	Article	Description	Quantity	Notes	Kit
1	541 40 51-10	MOTOR MOUNT ASSY	1		
2	725 54 47-01	SCREW	8		1
3	541 40 51-09	DOVE TAIL MOUNT	1		1
4	541 40 51-11	KEY	1	10x10 mm	1
5	541 40 51-12	STEPKEY	1	9,5x10 mm	
6	574 43 58-01	WRENCH 24 mm	1		
7	541 40 41-53	ALLEN KEY 6 mm	1		
8	543 85 02-08	ALLEN KEY 5 mm	1		

**F** DS 450 ACCESSORIES  
WHEEL KIT



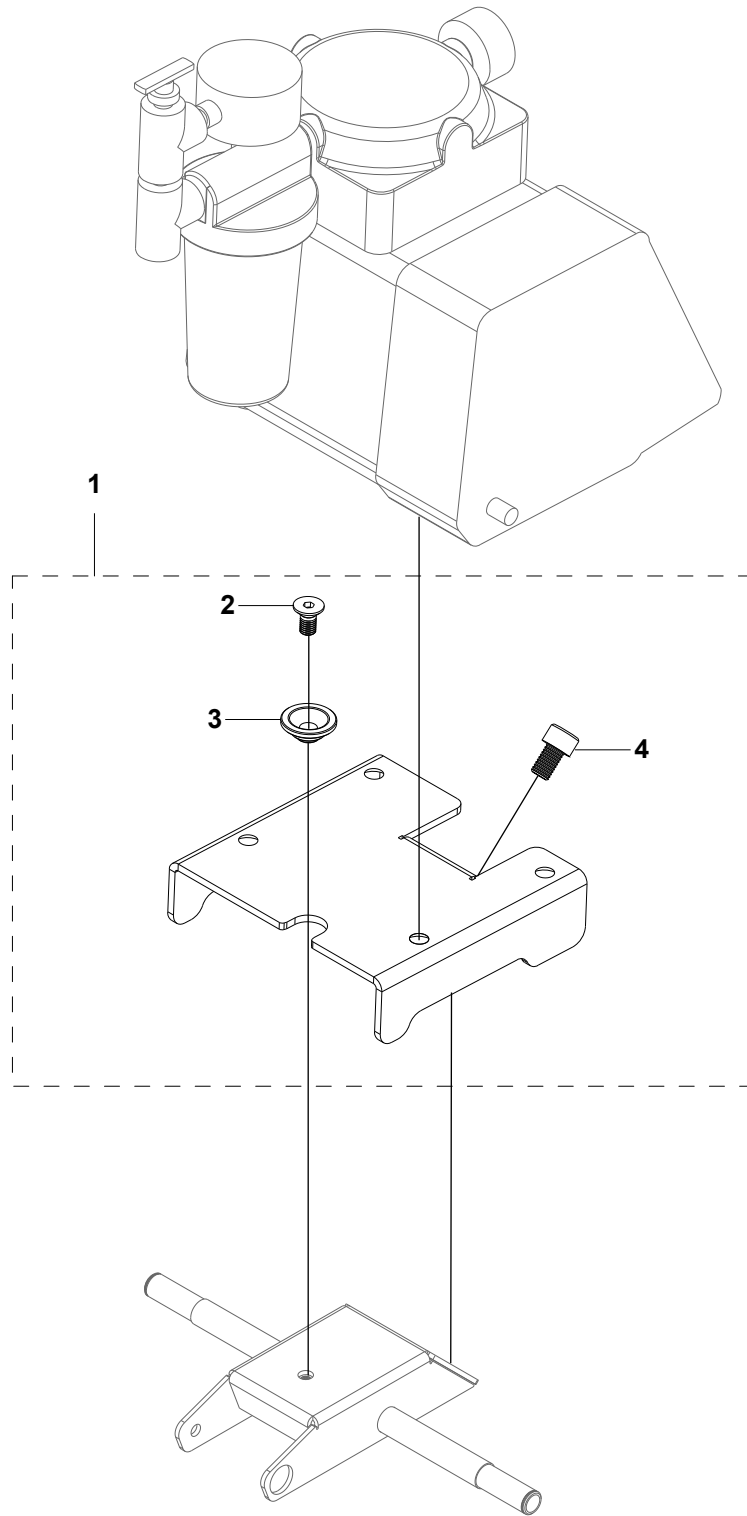
Page F		DS 450			
Position	Article	Description	Quantity	Notes	Kit
1	541 40 50-83	WHEEL KIT ASSY	1		
2	735 31 22-00	RETAINER RING	2		1
3	504 18 55-01	WHEEL	2		1
4	541 40 50-70	CLAMP BOLT	1		1
5	525 85 61-01	CLAMP	1		1
6	541 40 48-27	BUSHING	1		1

**G** DS 450 ACCESSORIES  
VACUUM PLATE



Page G DS 450					
Position	Article	Description	Quantity	Notes	Kit
1	541 40 50-93	VACUUM PLATE ASSY	1		
2	725 25 50-51	SCREW	1		1
3	734 11 80-41	WASHER	2		1
4	525 74 31-01	SCREW	4		1
5	731 71 24-51	NUT	4		1
6	541 40 40-71	1/8" FITTING	1		1
7	541 40 51-71	DECAL	1		1
8	541 40 51-32	GASKET	1		1

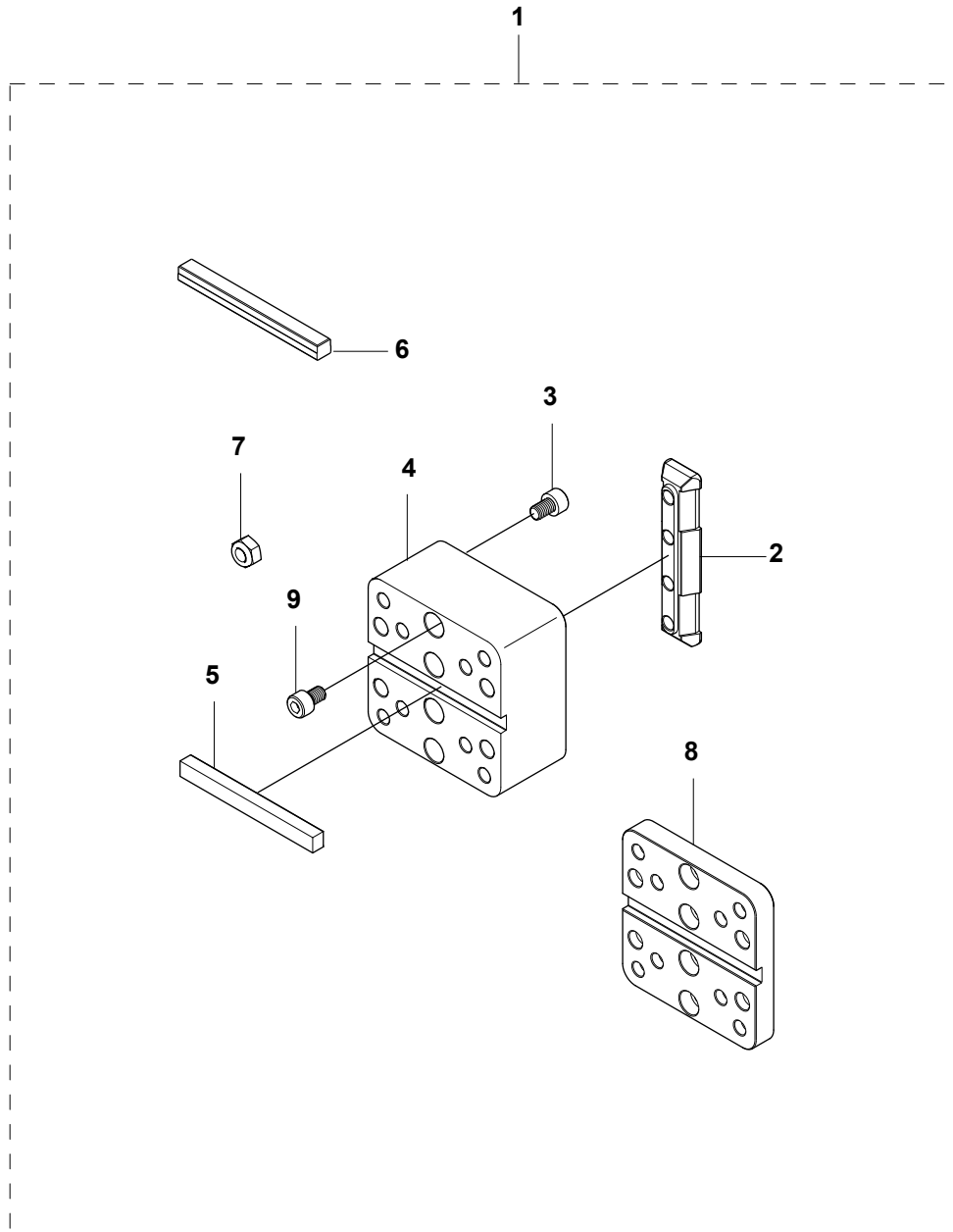
**H** DS 450 ACCESSORIES  
VACUUM PUMP CARRIAGE





Page H		DS 450			
Position	Article	Description	Quantity	Notes	Kit
1	541 40 51-34	VACUUM PUMP ASSEMBLY	1		
2	725 64 49-01	SCREW	1		1
3	541 40 51-33	BUSHING	1		1
4	725 54 89-01	SCREW	1		1

**DS 450 ACCESSORIES**  
**MOTOR SPACER PLATE**



Page I DS 450					
Position	Article	Description	Quantity	Notes	Kit
1	580 03 43-01	SPACER PLATE ASSY	1		
2	541 40 51-09	MOUNT	1		1
3a	725 54 53-01	SCREW	4	25 mm	1
3b	725 54 59-01	SCREW	4	40 mm	1
4	541 40 51-81	SPACER	1		1
5	541 40 51-11	KEY	1	10x10 mm	1
6	541 40 51-12	STEPKEY	1	9,5x10 mm	1
7	732 25 18-01	NUT	4		1
8	541 40 51-07	MOTOR MOUNT	1		1
9	725 54 47-01	SCREW	4		1