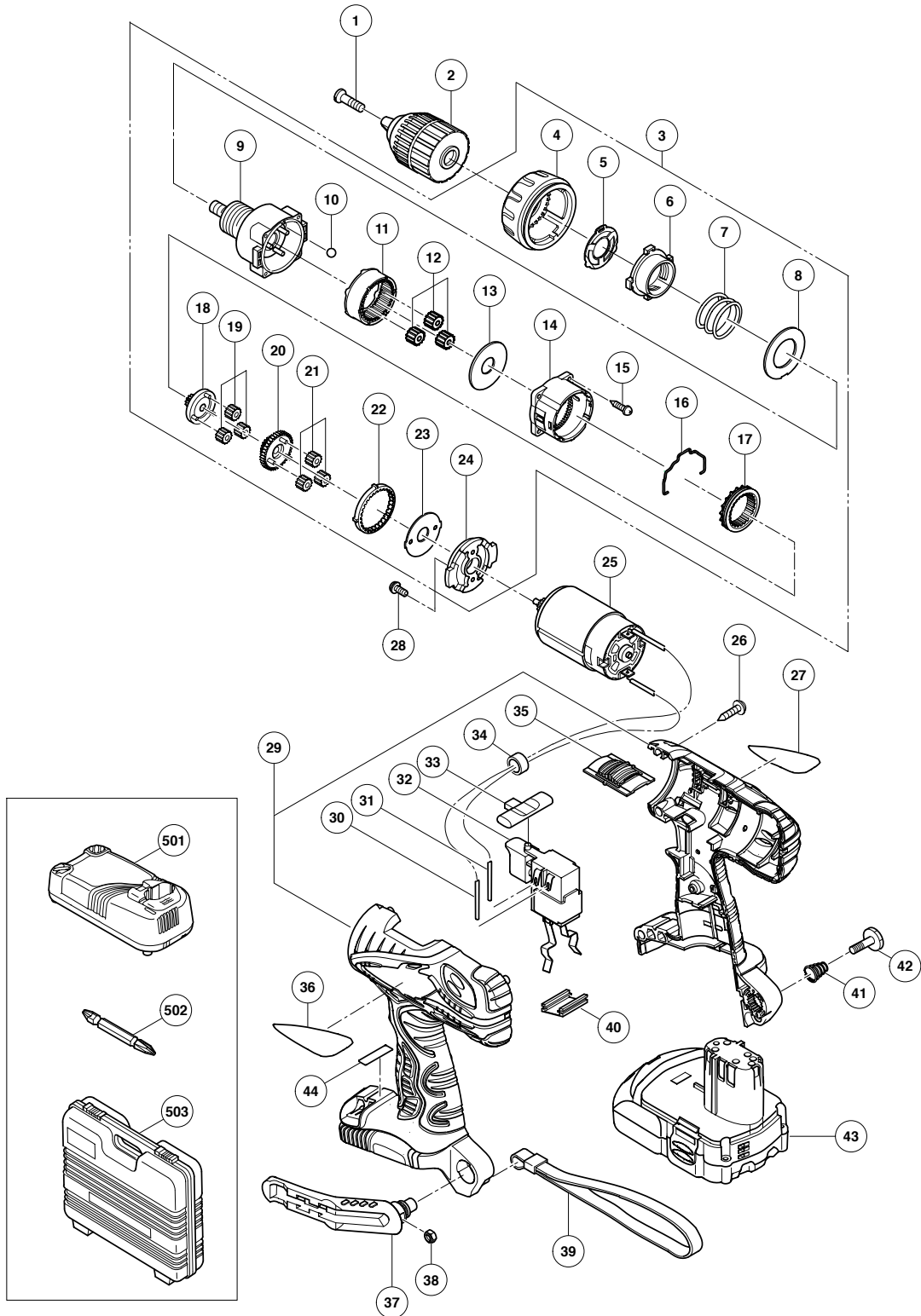


ELECTRIC TOOL PARTS LIST

CORDLESS DRIVER DRILL
Model DS 18DFL

2007 · 4 · 27
(E1)



PARTS

DS 18DFL

ITEM NO.	CODE NO.	DESCRIPTION	NO. USED	REMARKS
1	311-959	SPECIAL SCREW (LEFT HAND) M6X23	1	
2	324-205	DRILL CHUCK 13VLRM-N (W/O CHUCK WRENCH)	1	
3	324-490	GEAR BOX ASS'Y	1	INCLUD. 4-24
4	324-114	CLUTCH DIAL	1	
5	324-108	CLICK SPRING	1	
6	324-109	NUT	1	
7	324-110	SPRING	1	
8	324-347	WASHER (D)	1	
9	324-491	FRONT CASE	1	
10	306-936	STEEL BALL D5	6	
11	324-111	RING GEAR	1	
12	324-348	PLANET GEAR (C) SET (3 PCS.)	3	
13	324-349	WASHER (A)	1	
14	324-501	REAR CASE	1	
15	324-357	SCREW SET D3X12 (4 PCS.)	4	
16	324-115	SHIFT ARM	1	
17	324-351	SLIDE RING GEAR	1	
18	324-112	PINION (C)	1	
19	324-352	PLANET GEAR (B) SET (3 PCS.)	3	
20	324-492	PINION (B)	1	
21	324-494	PLANET GEAR (A) SET (3 PCS.)	3	
22	324-493	FIRST RING GEAR	1	
23	324-355	WASHER (B)	1	
24	324-495	MOTOR SPACER	1	
25	324-497	MOTOR	1	
26	313-687	TAPPING SCREW (W/FLANGE) D3X16 (BLACK)	8	
27		NAME PLATE	1	
28	317-333	MACHINE SCREW (W/SP. WASHER) M4X6	2	
* 29	324-496	HOUSING (A).(B) SET	1	
* 29	328-505	HOUSING (A).(B) SET	1	FOR USA, CAN
30	319-759	INTERNAL WIRE (BLACK) 100L	1	
31	324-499	INTERNAL WIRE (RED) 140L	1	
32	324-498	DC-SPEED CONTROL SWITCH	1	
33	324-117	PUSHING BUTTON	1	
* 34	323-229	FERRITE CORE	1	EXCEPT FOR NZL, AUS, USA, CAN
35	324-116	SHIFT KNOB	1	
36		HITACHI LABEL	1	
37	320-287	HOOK ASS'Y	1	INCLUD. 38
38	320-288	V-LOCK NUT M5	1	
* 39	306-952	STRAP (BLACK)	1	EXCEPT FOR USA, CAN
40	315-141	TERMINAL SUPPORT (A)	1	
41	319-926	HOOK SPRING	1	
42	320-881	SPECIAL SCREW (A) M5	1	
* 43	327-731	BATTERY BCL 1815 (EUROPE, AUS, NZL)	1	
* 43	327-730	BATTERY BCL 1815 (USA, CAN)	1	
* 44		CAUTION PLATE	1	FOR USA, CAN

STANDARD ACCESSORIES

DS 18DFL

ITEM NO.	CODE NO.	DESCRIPTION	NO. USED	REMARKS	
* 501		CHARGER (MODEL UC 18YGL)	1		
* 501		CHARGER (MODEL UC 18YRL)	1		
502	983-006	+ DRIVER BIT NO. 2 65L	1		
503	327-727	CASE	1		

