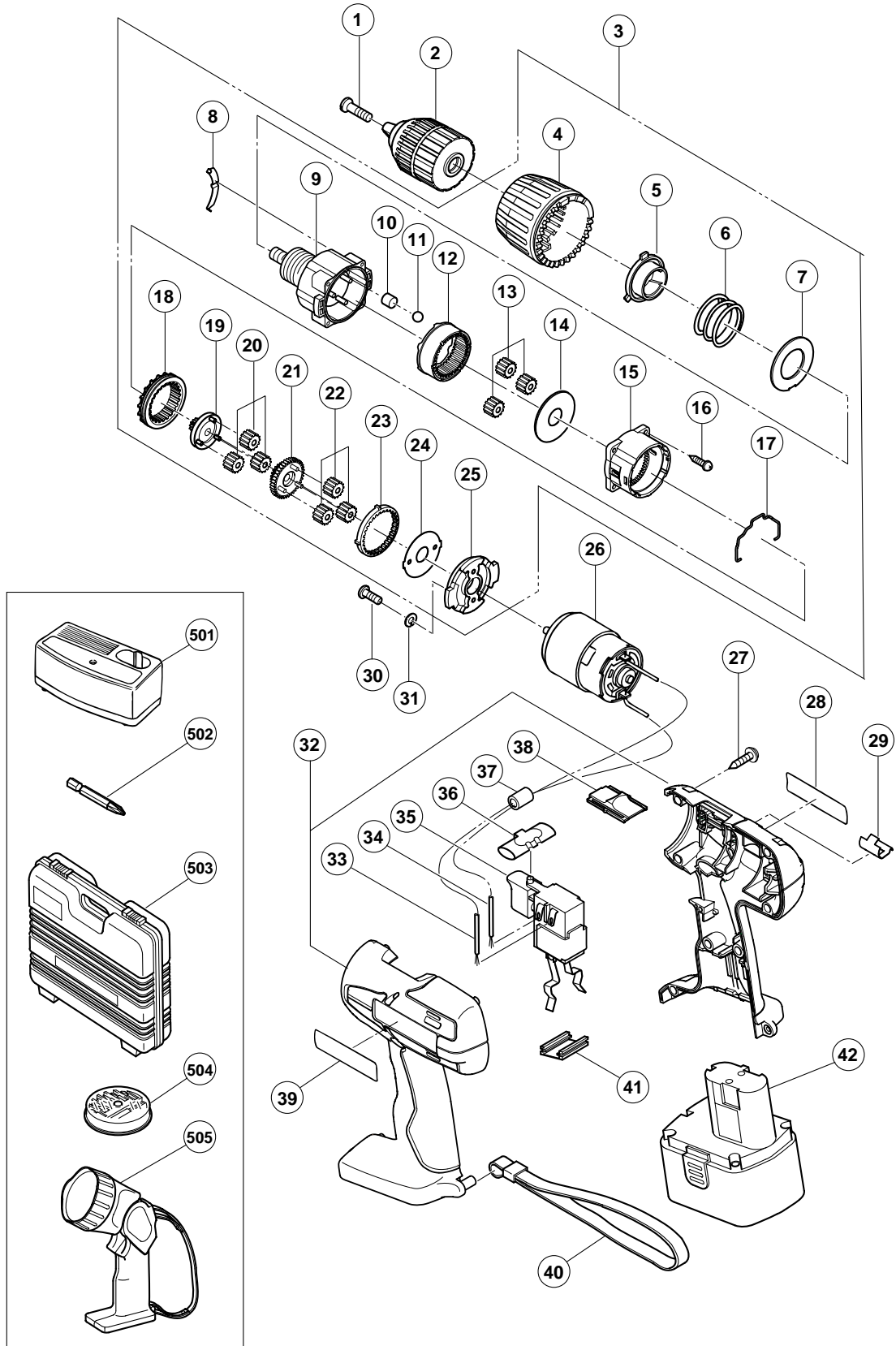


ELECTRIC TOOL PARTS LIST

■ CORDLESS DRIVER DRILL
Model DS 14DVF2

2004 • 3 • 5
(E1)



PARTS

ITEM NO.	CODE NO.	DESCRIPTION	NO. USED	REMARKS	
1	318-228	SPECIAL SCREW (LEFT HAND) M5X27	1		
2	312-516	DRILL CHUCK 10TLRD-N (W/O CHUCK WRENCH)	1		
3	322-523	GEAR BOX ASS'Y	1	INCLUD. 4-25	
4	322-525	CAP	1		
5	318-232	NUT	1		
6	312-709	SPRING	1		
7	312-714	WASHER (D)	1		
8	312-713	CLICK SPRING	1		
9	318-230	FRONT CASE	1		
10	319-744	ROLLER	6		
11	306-936	STEEL BALL D5	6		
12	312-715	RING GEAR	1		
13	312-705	PLANET GEAR (C) SET (3 PCS.)	3		
14	312-704	WASHER (A)	1		
15	312-697	REAR CASE	1		
16	315-817	SCREW SET D3X12 (6 PCS.)	4		
17	311-962	SHIFT ARM	1		
18	315-137	SLIDE RING GEAR	1		
19	315-805	PINION (C)	1		
20	315-816	PLANET GEAR (B) SET (3 PCS.)	3		
21	315-804	PINION (B)	1		
22	315-815	PLANET GEAR (A) SET (3 PCS.)	3		
23	315-136	FIRST RING GEAR	1		
24	312-716	WASHER (B)	1		
25	318-231	MOTOR SPACER	1		
26	320-648	MOTOR	1		
27	313-687	TAPPING SCREW (W/FLANGE) D3X16 (BLACK)	8		
28		NAME PLATE	1		
29	318-237	BIT HOLDER	1		
30	949-203	MACHINE SCREW M3X8 (10 PCS.)	2		
31	949-451	SPRING WASHER M3 (10 PCS.)	2		
32	322-522	HOUSING (A). (B) SET	1		
33	320-649	INTERNAL WIRE (RED)	1		
34	320-650	INTERNAL WIRE (BLACK)	1		
35	320-145	DC-SPEED CONTROL SWITCH	1		
36	319-760	PUSHING BUTTON	1		
37	318-247	FERRITE CORE	1		
38	318-234	SHIFT KNOB	1		
39		HITACHI LABEL	1		
40	306-952	STRAP (BLACK)	1		
41	315-141	TERMINAL SUPPORT (A)	1		
*	42	319-933	BATTERY EB 1414 (W/ENGLISH N.P.)	2	
*	42	322-633	BATTERY EB 1414S (W/ENGLISH N.P.)	2	

