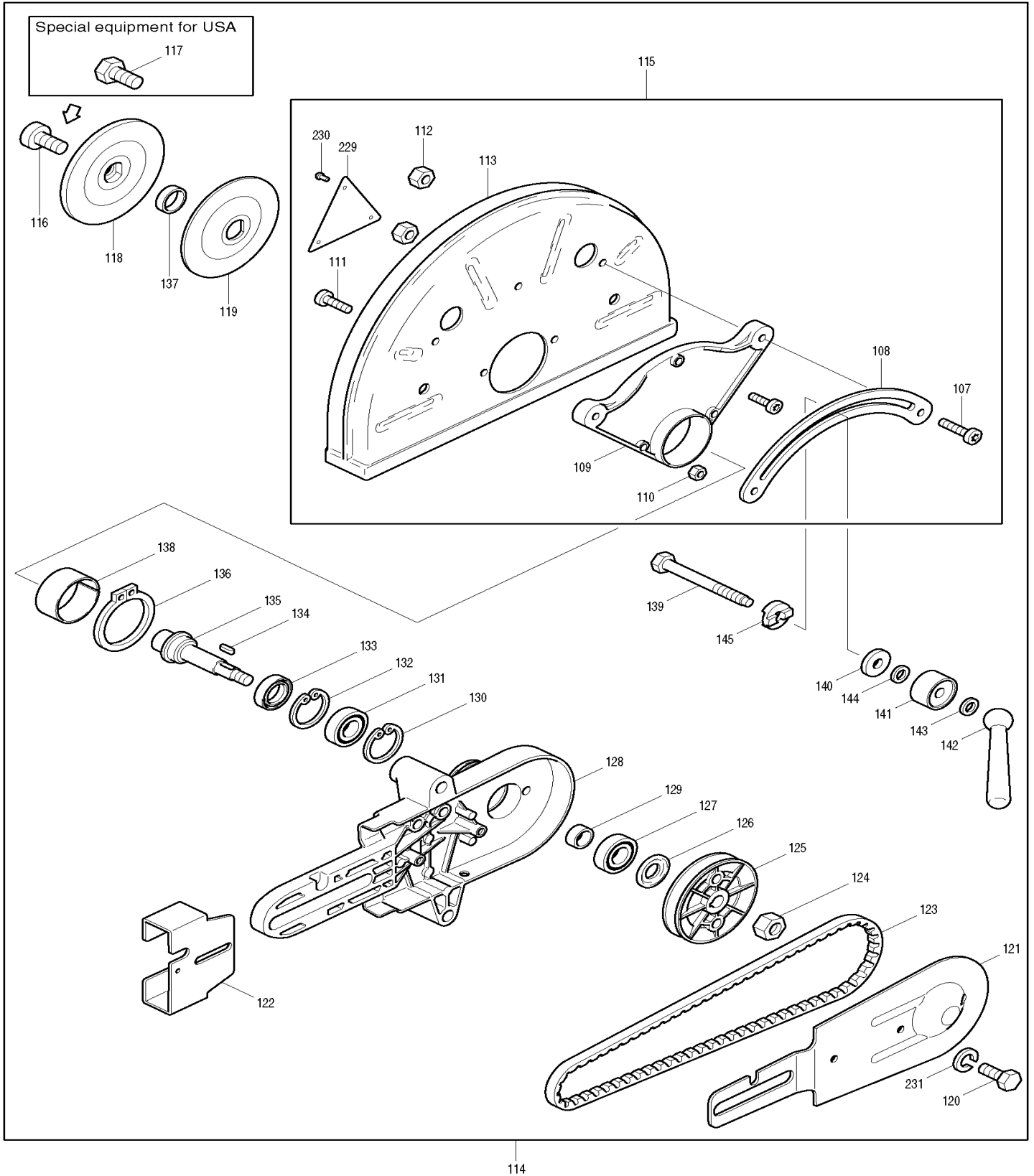


176





## Parts Breakdown

DPC9501

*Products with multiple versions are listed in subsiding order with the newest version on top not indented*

<u>Fig #</u>	<u>Part ID</u>	<u>Part Name</u>	<u>Quantity</u>
1	031-130-150	CYLINDER AND PISTON,CPL, DPC9501	1
2	031-132-003	PISTON COMPLETE,DPC9500	1
3	031-132-050	PISTON RING, DPC9500	2
4	031-132-020	PISTON PIN, DPC9500,T1	1
5	119-132-060	SPRING RING, DCS6000I21	2
6	965-521-023	GASKET, DPC7000	1
7	962-210-015	NEEDLE CAGE, DCS6000I21	1
8	960-602-173	ROLLER BEARING, DPC9500	2
9	031-120-001	CRANKSHAFT, DPC9500	1
10	939-630-370	KEY, DPC7000	1
11	957-605-112	SHORT C.SWITCH ASSY, DCS431	1
12	908-005-305	TORX SCREW 5X30, DCS340	1
13	908-005-305	TORX SCREW 5X30, DCS340	4
14	962-900-054	RADIAL RING, DPC7000	1
16	908-006-205	F.H.SCREW, DCS6800I	4
17	031-111-630	CRANKCASE, MAG.SIDE, DPC7001	1
18	965-551-051	F.H. SCREW M6X70,DPC7000	1
19	926-206-000	SPRING WASHER 6, DCS6800I	1
20	123-213-010	SQ.NUT W/PIVOT, DPC7000	1
21	924-306-400	DISC, DCS6000I21	1
22	922-606-000	HEX NUT M6, DCS6000I21	1
23	905-810-354	GUDGEON M10X35, DPC7000	2
24	031-111-650	CRANKCASE, DPC9500 .	1
25	936-430-160	SPIRAL PIN 3X16, DCS340	1
26	965-518-013	GASKET, DPC7000	1
27	965-401-011	RUBBER BUSH, DCS340	1
28	031-150-730	CHOKE SHAFT, DPC9500	1
30	962-900-051	RADIAL RING, DPC7000	1
31	123-310-011	TUBULAR HANDLE, DPC7001	1
32	144-310-072	STRENGTH.PIECE, DPC7000	1
33	908-006-205	F.H.SCREW, DCS6800I	2
34	122-310-051	STRENGTH.PIECE, DPC7000	1
35	119-117-300	GRIP ASSY, DPC7000	1
36	965-451-750	BUTTON, DCS6000I21	1
37	965-551-160	PRESSURE SPRING, DCS6000I21	1
38	965-551-150	STOP PIN, DCS6000I21	1
39	119-117-030	CATCH LEVER, DCS6800I	1
40	935-940-240	CYL.PIN 4M 6X24, DCS6000I21	1
41	119-117-052	SPRING, DCS6800I	1
42	119-117-041	SPRING, DCS6000I21	1
43	935-950-400	CYL.PIN 5M 6X40, DCS6000I21	1
44	119-117-021	THROTTLE LEVER, DPC7000	1
45	920-205-000	HEX NUT M5, DCS340	2
46	908-005-305	TORX SCREW 5X30, DCS340	2
47	122-117-054	THROTTLE LINKAGE, DPC7000	1
48	963-232-045	PACKING RING 32X4.5, DCS431	1
49	965-451-900	FUEL TANK PLUG, DCS430-T1	1
50	963-232-045	PACKING RING 32X4.5, DCS431	1
53	965-402-360	RUBBER BUFFER, DPC7000	2
54	965-452-490	TUBE HOSE	1
55	965-451-191	AIR VALVE CPL.,DPC7000	1
56	965-452-480	FUEL LINE, DPC9500	1
57	965-451-560	STOPPER, DPC7000	1
58	965-451-710	STOPPER, DPC7000	1
59	123-114-600	TANK CPL.,DPC7000	1
60	965-403-131	RUBBER BUFFER, DPC7000	3
61	908-006-105	FILLISTER H. SCREW, DPC9500 .	5
62	965-450-200	SUCTION LINE, DCS9500 .	1
63	963-601-240	FELT, DCS340	1
64	963-601-120	SUCTION HEAD FUEL, DCS6000I21	1
65	123-181-010	CLUTCH SHOE, DPC7000(3/SET)	1
66	122-182-011	CLUTCH HUB, DPC7000	1
67	122-184-011	CLUTCH SPRING, DPC7000	1
68	122-182-030	GUIDE DISC, DPC7000	1





## Parts Breakdown

DPC9501

69	962-200-006	INNER RING, DPC7001	1
70	962-300-016	NEEDLE CAGE BEARING DPC7001	1
71	957-223-309	CLUTCH DRUM W/PULL,DPC7000	1
73	923-210-003	HEXAGONAL NUT, LEFT, DPC7001	1
76	398-213-600	SPROCKET GUARD, DPC7000	1
78	923-210-002	HEX NUT W/SHOULDER,DPC7000	2
79	980-114-310	LAEL, DPC9501	1
80	392-320-100	FOOT, DPC9500	1
81	908-006-355	FILLISTER H. SCREW, DPC9500	2
82	957-604-240	SPARK PLUG CAP, DPC7000	1
83	965-604-230	CONTACT SPRING, DPC7000	1
84	965-603-021	SPARK PLUG,WSR5F DPC6200	1
85	980-114-094	LABEL, DCS6000I-21	1
86	031-112-600	FAN HOUSING ASSY,DPC7000	1
87	928-405-000	WASHER, DCS340	1
88	965-402-262	STARTER GRIP, DCS6800I	1
90	900-004-363	SPACER, DCS6000I21	1
91	123-163-013	REWIND SPRING, DCS6000I21	1
92	123-163-020	SPRING COVER, DCS6000I21	1
93	907-204-102	THREAD FORMING SCREW, DCS6000I21	1
94	123-162-031	CABLE DRUM, DCS6000I21	1
95	929-314-100	SNAP RING, 14 X 1, DCS6000I21	1
96	122-164-010	START ROPE 1000MM, DCS6800I	1
97	908-005-255	F.H. SCREW, DPC9500	4
98	920-308-024	HEX NUT M8X1, DCS340	1
99	928-308-001	SPRING WASHER , DCS340	1
100	010-140-010	IGNITION ASSEMBLY, DPC7001	1
101	031-166-010	STARTER RATCHET, DCS6000I21	2
103	908-004-125	FILLISTER H. SCREW, DPC9500	2
104	900-003-050	FELT RING, DPC7000	1
105	965-401-015	RUBBER BUSHING, DPC7001	1
107	908-006-255	FILLISTER H. SCREW, DPC9500 .	2
108	392-341-040	CLAMP, DPC9500	1
109	395-341-600	SWIVEL SEGMENT, DPC9500	1
110	920-406-000	HEXAGONAL NUT M6, DPC7000	3
111	908-006-205	F.H.SCREW, DCS6800I	3
112	920-406-000	HEXAGONAL NUT M6, DPC7000	2
113	392-341-610	PROTECTION HOOD, DPC9500	1
114	392-000-600	CUTTING REVICE ASS'Y, DPC9501	1
115	392-341-620	PROTECTION HOOD, DPC9500 .	1
117	900-910-204	HEX SCREW 10X20, DPC7000	1
118	392-228-340	PRESSURE DISC, DPC9500	1
119	392-228-350	PRESSURE DISC, DPC9500 .	1
120	900-208-202	HEX SCREW DPC 9500	2
121	392-410-600	GUARD PLATE, DPC9500	1
122	392-211-610	HAND GUARD, DPC9500	1
123	965-300-440	V-BELT (SMALL), DPC9501	1
124	920-410-000	HEXAGONAL NUT, DPC9500	1
125	392-221-011	V-BELT PULLEY, DPC9500	1
126	963-815-320	PACKING RING, DPC7000	1
127	960-102-155	BALL BEARING, DPC7000	1
128	392-211-600	GEAR HOUSING, DPC9500	1
129	900-005-009	DISTANCE RING, DPC7000	1
130	929-235-150	SNAP RING 35X1.5, DPC7000	1
131	960-102-155	BALL BEARING, DPC7000	1
132	929-235-150	SNAP RING 35X1.5, DPC7000	1
133	962-900-036	RADIAL RING, DPC7000	1
134	939-144-140	KEY 4X4X14, DPC7000	1
135	398-228-013	SPINDLE, DPC7000	1
136	929-145-175	SNAP RING 45X1.75,DPC7000	1
137	392-228-050	ADAPTOR 20MM TO 7/8, DPC7000	1
138	398-211-090	BUSHING, DPC7000	1
139	392-341-070	HEX SCREW , DPC9500	1
140	392-341-031	WASHER, DPC9500	1
141	392-341-090	SPRING HOUSING, DPC9500	1
142	392-341-080	COCKING HANDLE, DPC9500	1
143	925-300-000	WASHER, DPC9500 . .	1



## Parts Breakdown

DPC9501

144	925-300-000	WASHER, DPC9500 . .	1
145	392-341-050	WASHER, DPC9500 .	1
150	392-118-150	HOOD (PLASTICS), DPC7001	1
151	908-005-165	HEAD SCREW M5X16, DCS340	2
152	908-305-405	FILLISTER H. SCREW, DPC9500	1
153	392-118-050	FILTER COVER, DPC9500	1
154	980-113-480	LABEL (309/343 BELTS), DPC9500	1
155	921-708-000	WING NUT M8, DPC7000	1
156	980-114-237	LABEL (SAFETY), DCS430	1
157	965-401-025	RUBBER BUSH, DPC7000	1
158	001-173-020	INNER FILTER CPL.,DPC7000	1
159	963-257-070	PACKING RING, DPC7000	1
160	001-173-000	PRE-FILTER,DPC7000	1
161	001-173-030	AIR FILTER CPL., DPC7001	1
162	122-173-140	FILTER (842), DCP7000	1
163	963-257-070	PACKING RING, DPC7000	1
164	905-808-555	GUDGEON, DPC7000	1
165	123-118-052	HOOD, DPC7000,T2	1
166	965-402-960	GASKET, DPC7000	1
167	908-005-125	F.H. SCREW M5X12, DCS431	2
168	965-516-090	GASKET, DPC7000	1
169	144-171-040	CONNECTING PLATE, DPC7000	1
170	908-405-255	SCREW M5X25, DCS340	3
171	908-005-255	F.H. SCREW, DPC9500	2
172	965-518-111	GASKET, DPC9500	1
173	133-131-041	GASKET, DPC9500	1
174	133-131-051	INTERMEDIATE FLANGE,DPC9500	1
175	965-518-031	GASKET, DPC9500	1
176	122-151-620	CARBURETOR, DPC7000	1
177	965-518-090	GASKET, DCS6000I21	1
178	144-171-030	CONNECTING SLEEVE, DPC7000	1
179	926-105-001	SPRING RING 5, DPC7000	2
181	908-205-805	FILLISTER HEAD SCREW M5X80, DPC7001	2
182	965-402-851	COVER FOAM PLATE, DPC7000	1
183	908-005-095	SCREW M5X9, DCS5200I	1
184	398-174-600	HEAT SHIELD, DPC7000	1
185	908-005-125	F.H. SCREW M5X12, DCS431	1
186	928-406-000	DISC, DPC9500	4
187	908-006-655	FILLISTER H. SCREW, DPC9500 ..	2
188	908-005-125	F.H. SCREW M5X12, DCS431	1
189	965-518-052	GASKET, DPC7001	1
190	123-174-159	MUFFLER, DPC7000	1
191	113-150-170	SCREW ,DCS6800I	4
192	113-150-160	PUMP COVER, DPC7000	1
193	957-150-100	DIAPHRAGM & GASKET, DCS6000I21	1
194	122-151-400	DISC, DCS6000I21 .	1
195	100-150-350	SAFETY WASHER, DCS6000I21	1
198	031-150-020	CHOKE SHAFT, DPC9500	1
199	113-150-261	CHOKE SHUTTER, DPC7000	1
200	113-150-370	SCREW W/WASHER, DPC7000	1
201	101-150-080	LOCKING SPRING, DPC7000	1
202	113-150-380	LOCKING BALL, DPC7000	1
203	957-150-010	CTRL. PARTS, CARB., DPC7000	1
205	122-151-121	DIAPHRAGM COVER, DPC7000	1
206	001-150-140	SCREW, DPC7001	4
207	113-150-030	COVER DISC, DCS6000I21	1
208	107-150-240	SPRING RING, DCS6000I21	1
209	107-150-230	SCREEN FOR NOZZLE, DCS6000I21	1
210	113-150-040	COVER DISC, DPC7311	1
213	122-151-470	IDLE ADJ.SCREW(L), DCS6000I21	1
214	144-151-480	SPRING(L), DCS6000I21	1
215	020-150-180	SCREEN, DCS6000I21	1
216	144-151-320	THROTTLE SHUTTER, DPC7000	1
217	113-150-370	SCREW W/WASHER, DPC7000	1
218	144-151-315	BUSHING, DCS6000I21	1
219	144-151-310	SPRING, DPC7000	1
220	144-151-315	BUSHING, DCS6000I21	1



## Parts Breakdown

**DPC9501**

221	122-151-302	THROTTLE SHAFT, DPC7000	1
222	113-150-240	IDLE STOP SCREW, DPC7000	1
223	113-150-230	SPRING, DPC7000	1
225	980-114-341	LABEL, 343	1
226	980-113-841	LABEL, DCS430	1
227	113-150-150	PUMP DIAPHRAGM (237-144), DPC7311	1
229	980-113-942	LABEL, DPC9501	1
230	938-232-483	RIVET, DPC7001	3
231	926-208-001	SPRING WASHER 8, DPC7000	2
232	010114040	ANGULAR UNION ASSY, DPC7000	1
319	001-131-150	DECOMPRESSION VALVE, DCS431	1
2,001	010114040	ANGULAR UNION ASSY, DPC7000	1