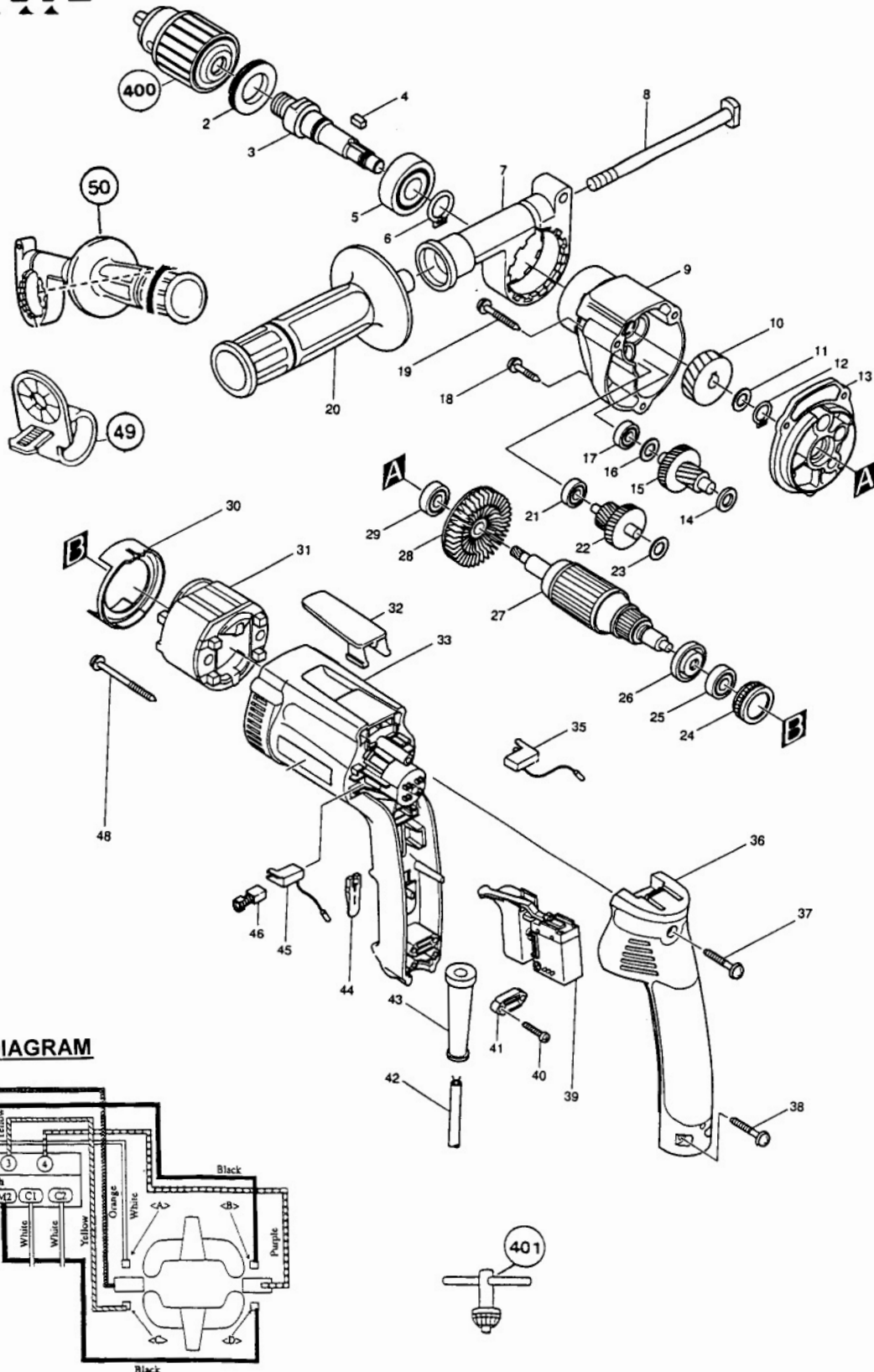


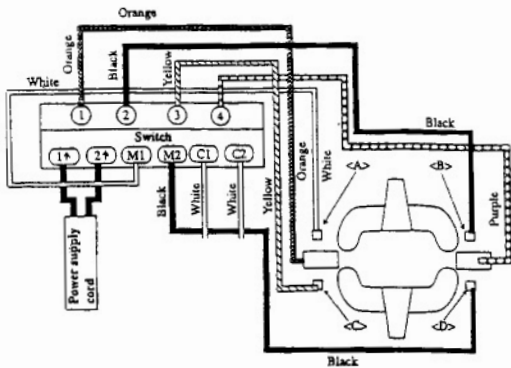


1/2" (13MM) DRILL

MODEL DP4000



WIRING DIAGRAM



IMPORTANT! - To assure product **SAFETY** and **RELIABILITY**, repairs, maintenance or adjustment should be performed by **MAKITA** Service Centers, or other qualified service organizations. Always use **MAKITA** replacement parts.

Fig.	Part No.	Qty. Used	Description	Fig.	Part No.	Qty. Used	Description
2	285807-7	1	BEARING RETAINER 22-36	28	241873-4	1	FAN 55
3	324039-2	1	SPINDLE	29	211031-6	1	BALL BEARING 608LLB
4	254202-2	1	KEY 4	30	417356-8	1	BAFFLE PLATE
5	211206-7	1	BALL BEARING 6202LLB	31	633466-5	1	FIELD 115V
6	961055-9	1	RETAINING RING S-15	32	417625-7	1	HOOK
7	317401-8	1	GRIP BASE	33	183270-7	1	MOTOR HOUSING SET (INCL. FIG. 47)
8	266261-4	1	BOLT M8X130	35	643951-0	1	BRUSH HOLDER
9	317397-3	1	GEAR HOUSING	36	152641-9	1	HANDLE COVER COMPLETE (INCL. 2 EA. RUBBER PIN 4 263002-9)
10	226529-0	1	HELICAL GEAR 26				
11	267143-3	1	FLAT WASHER 11	37	265999-8	1	TAPPING SCREW 4X25
12	961051-7	1	RETAINING RING S-11	38	265999-8	2	TAPPING SCREW 4X25
13	152639-6	1	GEAR HOUSING COVER CPL. (INCL. 1 EA. NEEDLE BEARING 810 212004-2, 2 EA. NEEDLE BEARING 609 212016-5)	39	651991-4	1	SWITCH
14	253804-1	1	FLAT WASHER 6	40	265995-6	2	TAPPING SCREW 4X18
15	226136-9	1	GEAR COMPLETE 7-32	41	687063-9	1	STRAIN RELIEF
16	253133-2	1	FLAT WASHER 7	42	664064-4	1	P. SUPPLY CORD AWG#18-2-2
17	211021-9	1	BALL BEARING 607LLB	43	682559-5	1	CORD GUARD 8
18	266050-7	1	TAPPING SCREW 4X30	44	417358-4	1	SLIDE LEVER
19	266069-6	2	TAPPING SCREW 4X45	45	643948-9	1	BRUSH HOLDER
20	152521-9	1	GRIP 36 COMPLETE	46	191927-6	1	CARBON BRUSH CB-407
21	211012-0	1	BALL BEARING 606ZZ	48	266060-4	2	TAPPING SCREW 4X65
22	226137-7	1	GEAR COMPLETE 20-34	49	410102-8	1	KEY HOLDER
23	253804-1	1	FLAT WASHER 6	50	134903-7	1	GRIP ASS'Y (INCL. FIG. 7,8,20)
24	421479-6	1	RUBBER RING 19				
25	211021-9	1	BALL BEARING 607LLB				
26	681636-0	1	INSULATION WASHER				
27	517356-9	1	ARMATURE ASS'Y 115V (INCL. FIG. 25,26,28,29)				
					ACCESSORIES		
				400	193229-6	1	DRILL CHUCK S13
				401	763434-5	1	CHUCK KEY 10