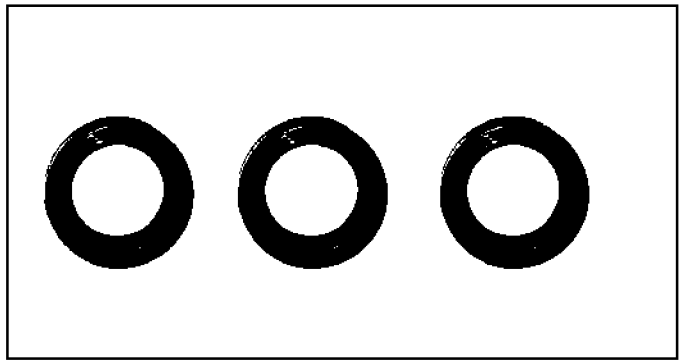
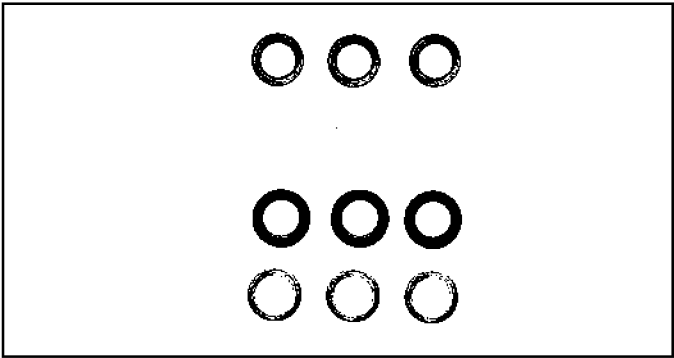


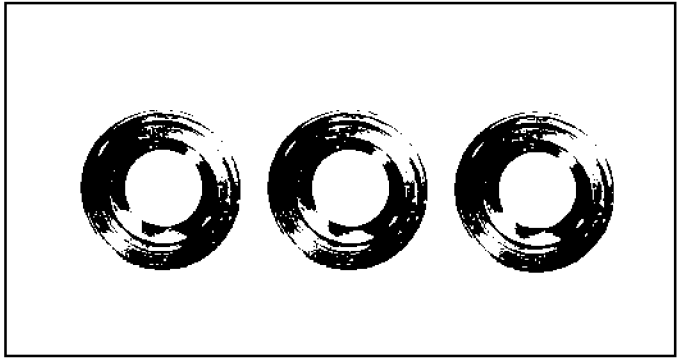
A08927 Valve Kit



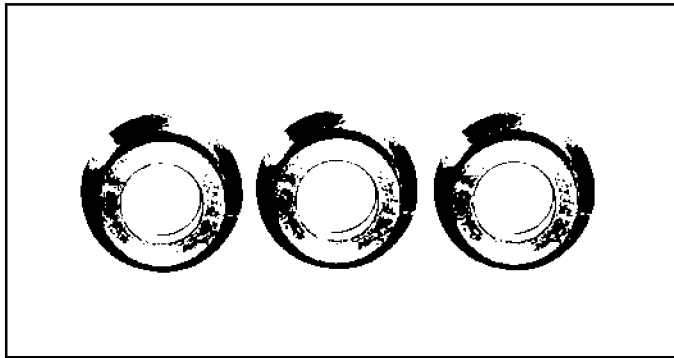
A08928 Oil Seal Kit



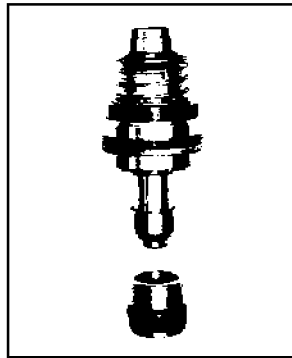
A08929 Water Pack Kit



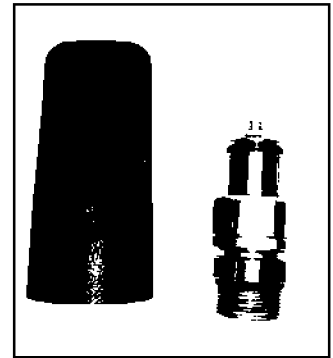
A08930 LP Retainer Kit



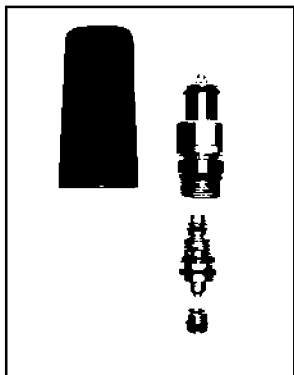
A08931 HP Retainer Kit



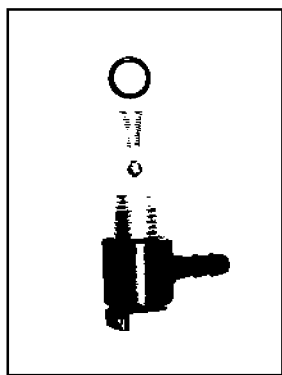
A08932 Lower Unloader Kit



A08933 HP Upper Unloader Kit

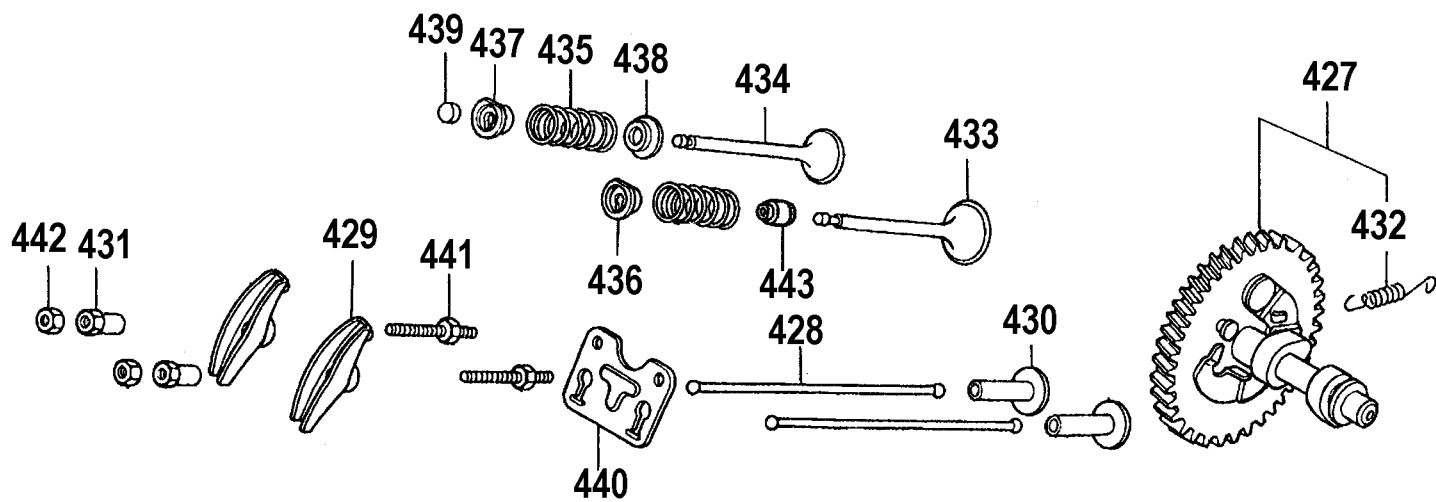
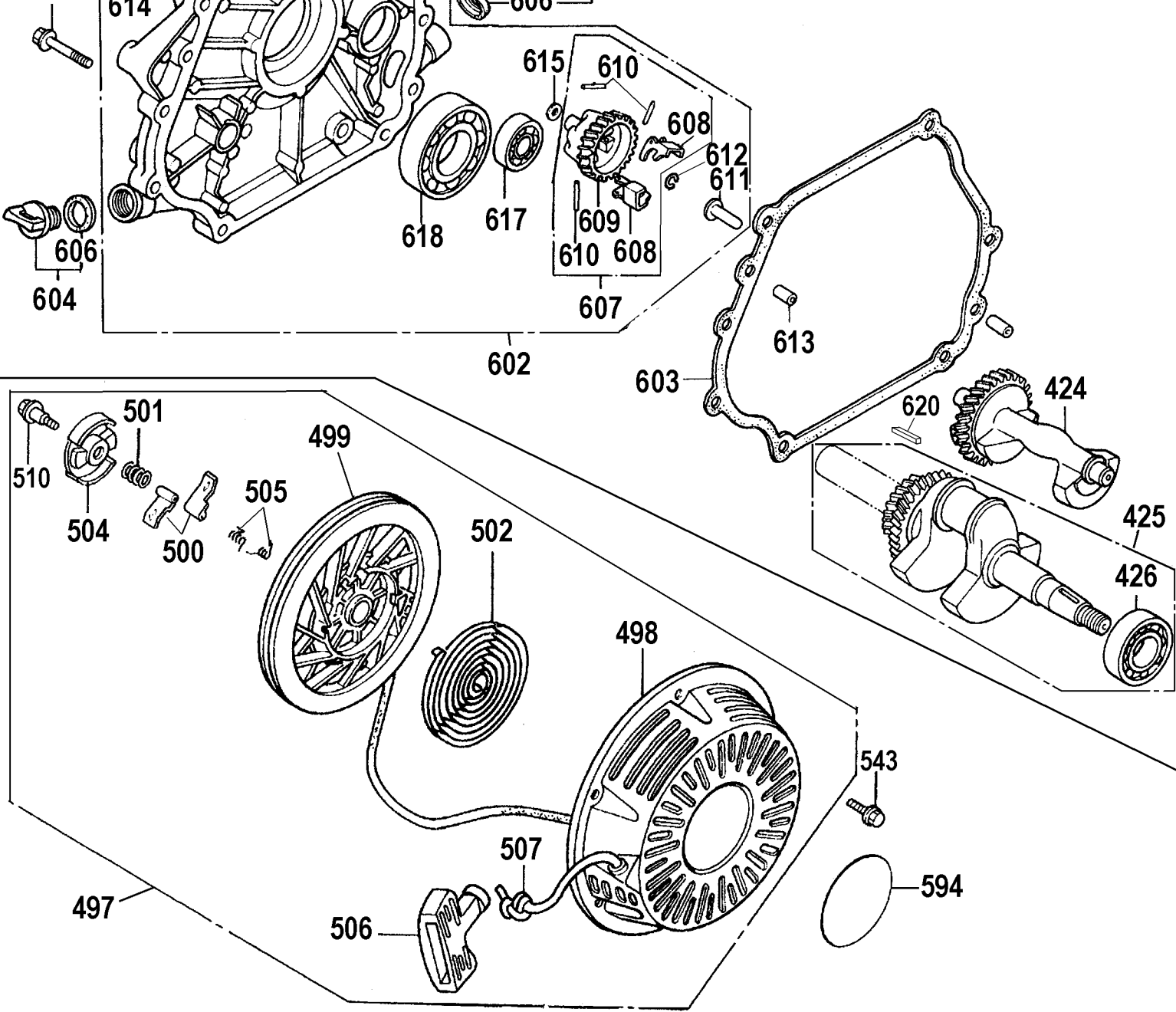


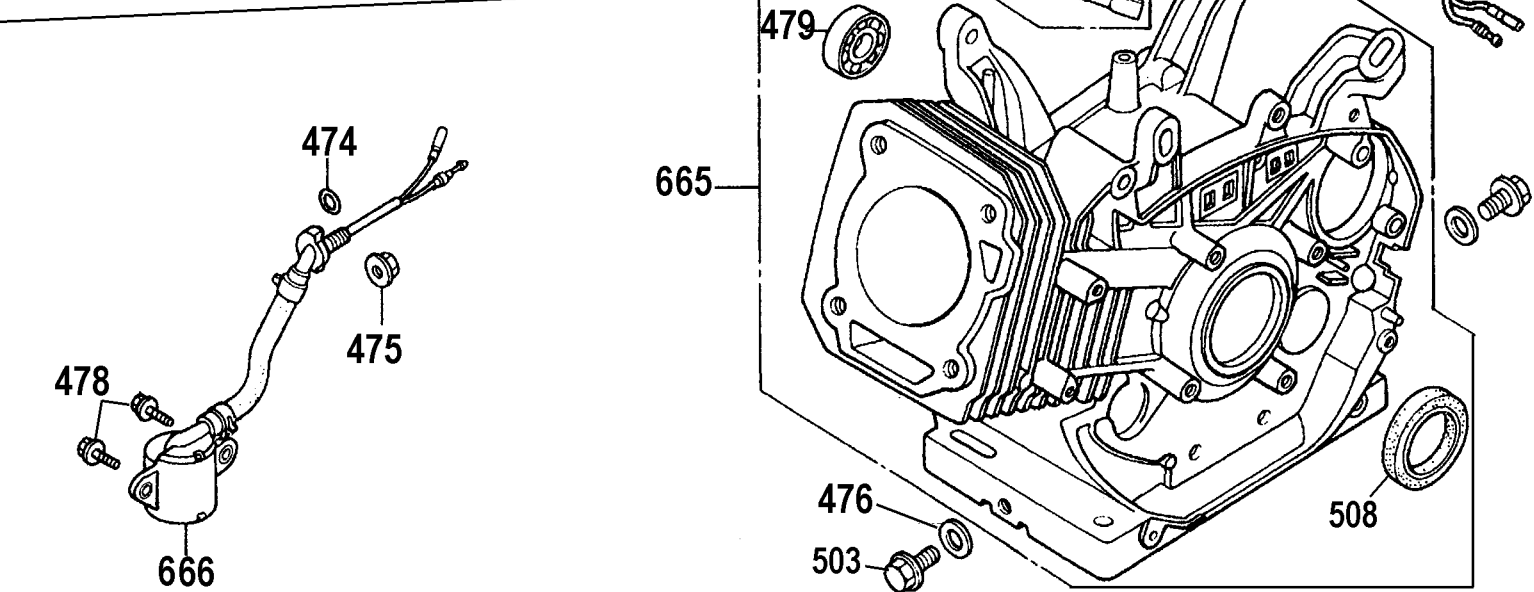
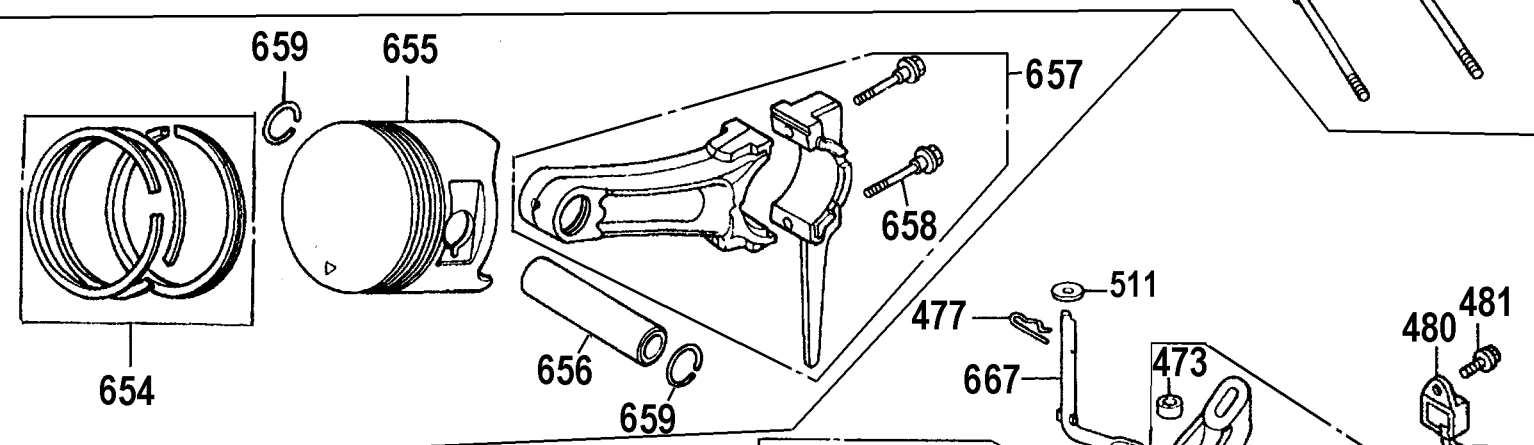
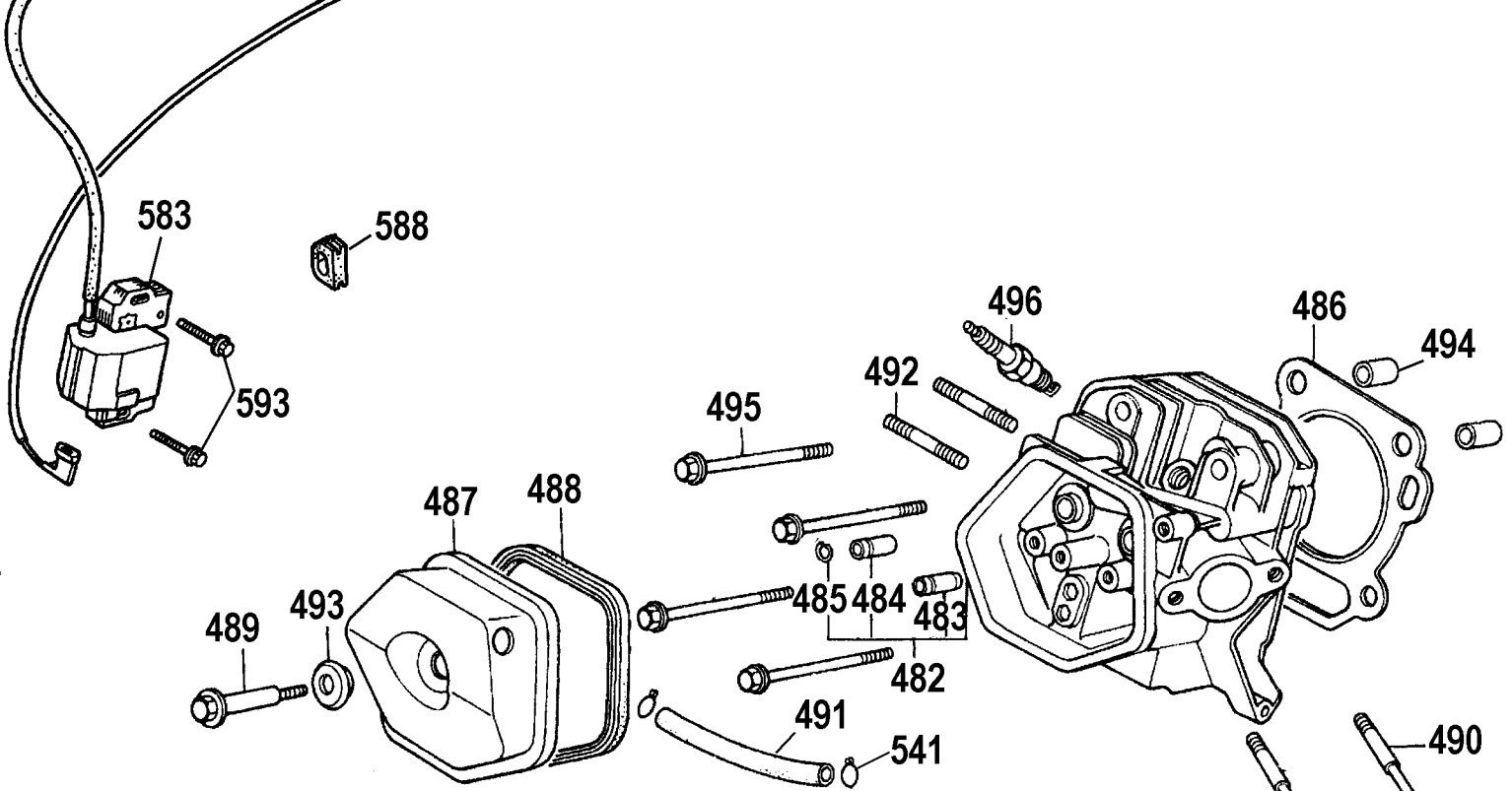
A08934 Unloader Kit

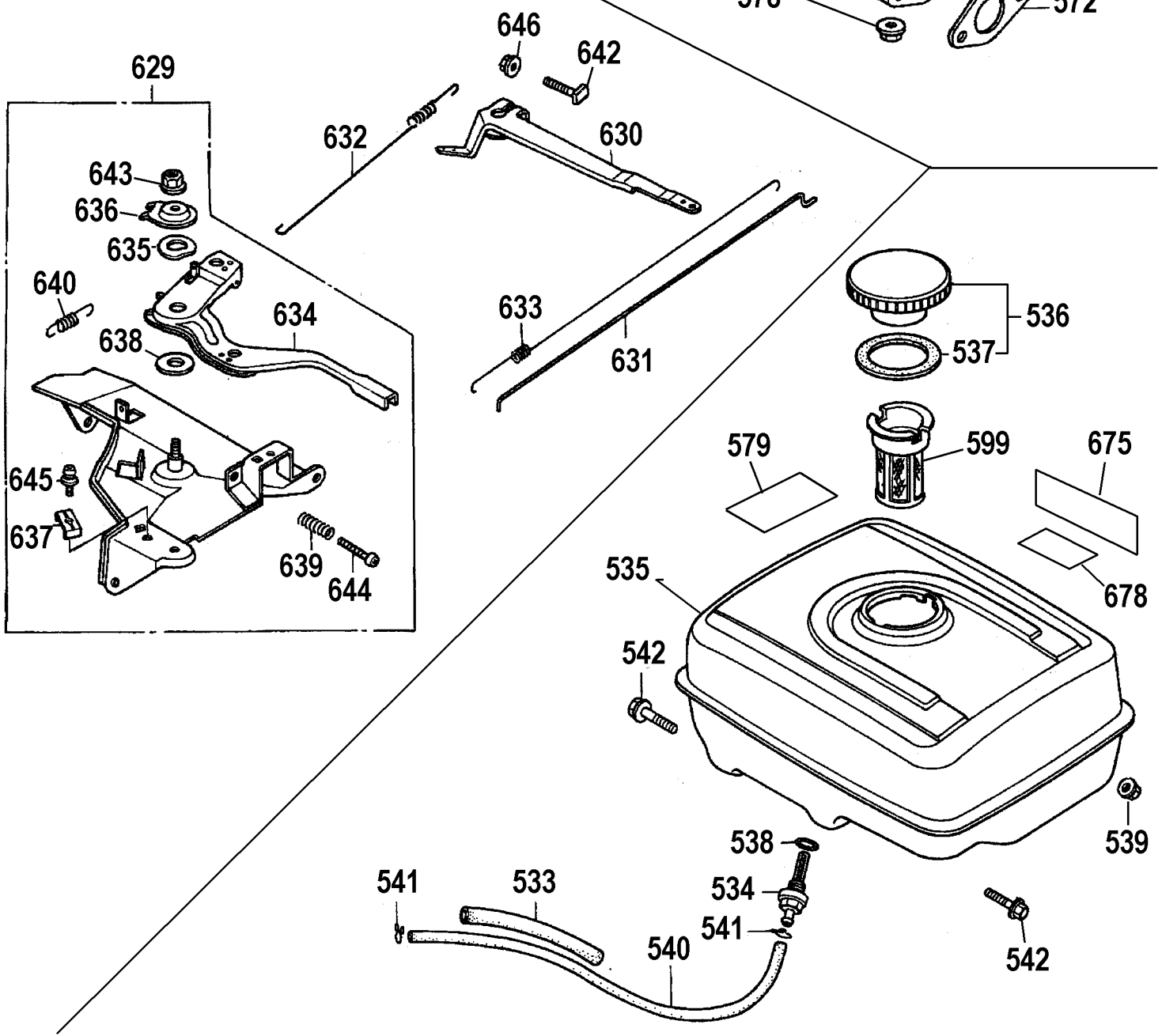
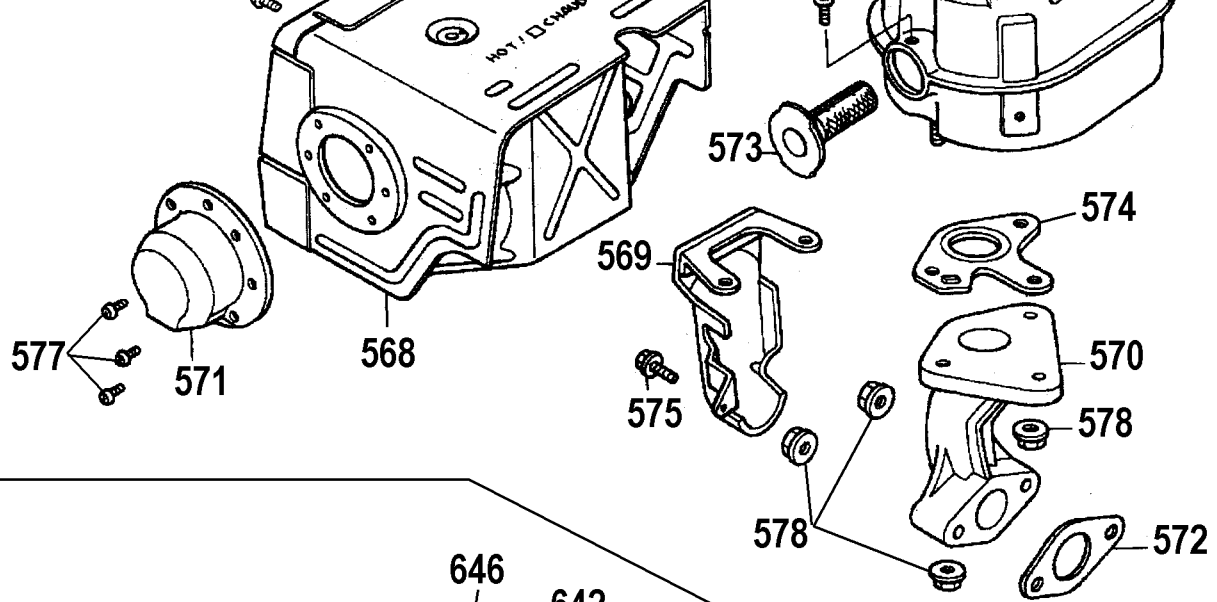


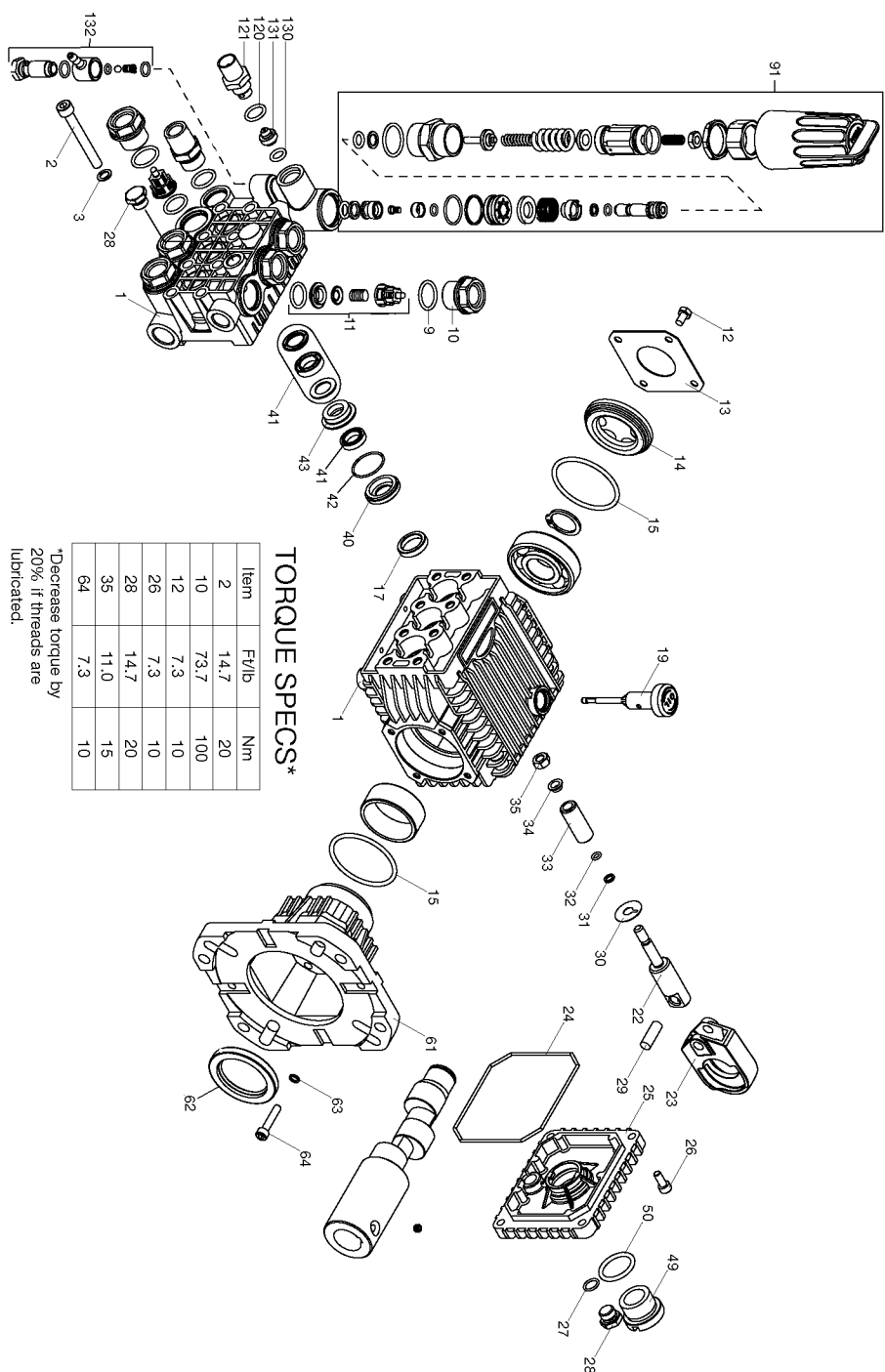
A08935 Chemical Injector Kit







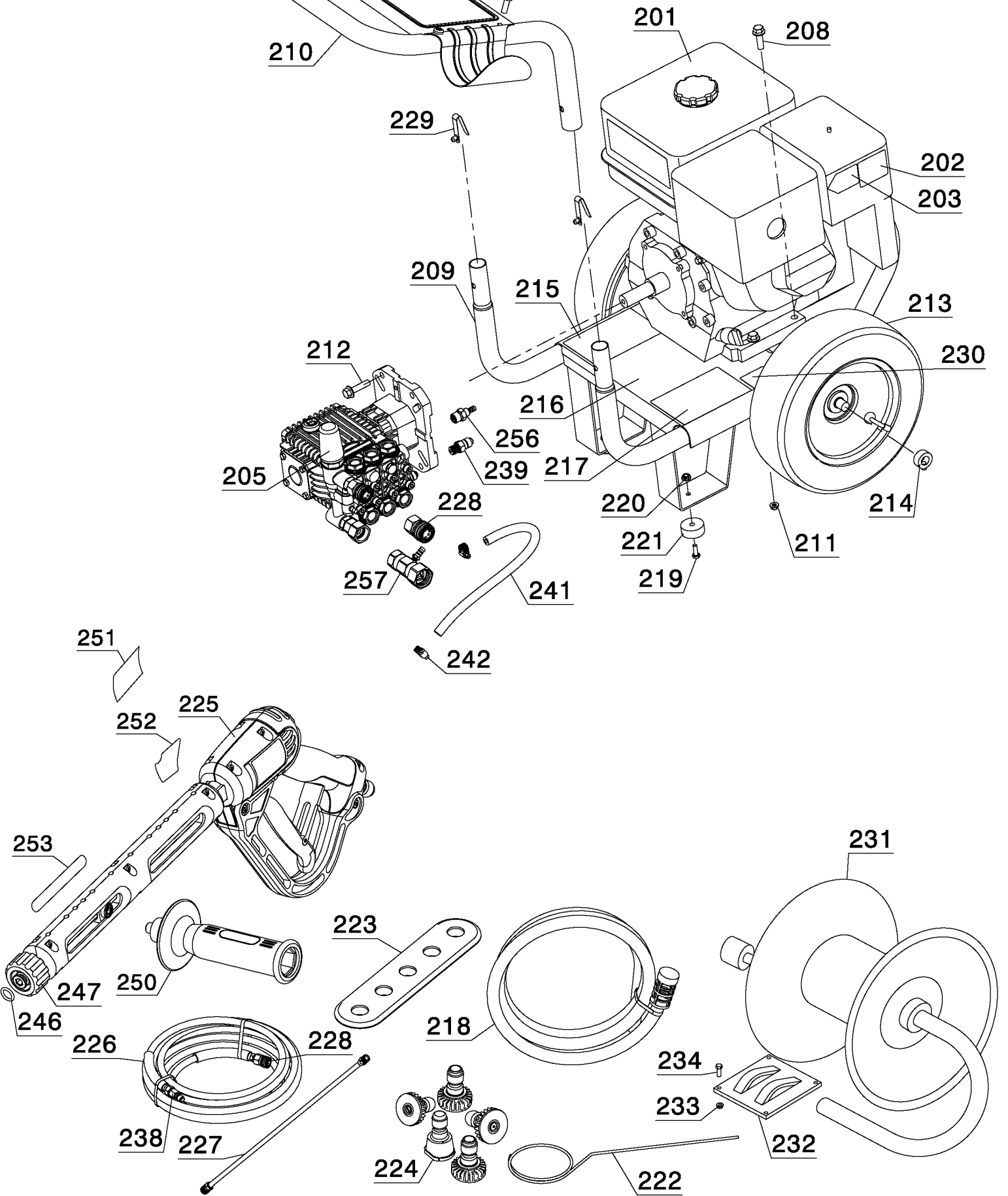




**TORQUE SPECS\***

Item	Ft/Lb	Nm
2	14.7	20
10	73.7	100
12	7.3	10
26	7.3	10
28	14.7	20
35	11.0	15
64	7.3	10

\*Decrease torque by 20% if threads are lubricated.



## Parts List for DP3900 Type 1

Item Number	Part Number	Description	Qty Required
1	A03496	PUMP	1
2	A08896	SCREW	4
3	P313	WASHER LOCK GEN 9670	4
9	A08904	ORING	6
10	A08905	CAP VALVE	6
11	A08927	KIT VALVE	1
12	15713	SCREW .250-20X.50 GE	4
13	15898	COVER BEARING	1
14	A08906	INDICATOR OIL LEVEL	1
15	15727	ORING	2
17	A08928	KIT OIL SEAL	1
19	P467	DIPSTICK	1
22	A08907	GUIDE PLUNGER	3
23	A08908	ROD CONNECTING	3
24	A08909	ORING COVER	1
25	A08910	COVER REAR CRANKCASE	1
26	A08911	SCREW	1
27	A08912	ORING	1
28	A08913	PLUG	2
29	A08914	PIN CON ROD	3
30	A08915	FLINGER WASHER	3
31	A08916	RING ANTI EXTRUSION	3
32	A08917	ORING	3
33	P619	PLUNGER CERAMIC GEN	3
34	A08918	BUSHING	3
35	15838	NUT PLUNGER GEN 9222	3
40	A08930	RETAINER	1



## Parts List for DP3900 Type 1

Item Number	Part Number	Description	Qty Required
41	A08929	KIT WATER PACK	1
42	5140058-69	O-RING	3
43	A08931	RETAINER	1
49	A08919	INDICATOR OIL LEVEL	1
50	A08920	ORING	1
61	A08921	FLANGE ENGINE	1
62	5140046-41	OIL SEAL	1
63	A08922	WASHER	4
64	A08923	SCREW	4
91	5140047-15	HANDLE	1
91	A08934	KIT UNLOADER	1
120	P064	ORING GEN 90383200	1
121	A08924	NIPPLE	1
130	A08925	ORING	1
131	A08926	NOZZLE	1
132	A08935	INJECTOR CHEMICAL	1
201	A08642	ENGINE	1
202	D23124	LABEL, WARNING	1
203	A14552	LABEL HOT SURFACE	1
205	A03496	PUMP	1
206	000000-00	No Longer Available	1
208	A11349	BOLT .375-16X1.25 FL	4
209	A13853	FRAME	1
210	N000530	HANDLE	1
211	A18466	NUT	4
212	18300	BOLT .375-16X1.75 FL	4
213	A00253	TIRE PNEU 12 X 4 STU	2

## Parts List for DP3900 Type 1

Item Number	Part Number	Description	Qty Required
214	D30249	COLLER AXLE SET SCRE	2
215	A16267	LABEL WARNING	1
216	A16268	LABEL WARNING	1
217	A16269	LABEL WARNING	1
218	H140	HOSE ASSY CHEMICAL	1
219	D21436	SCREW .250-20X.750 U	2
220	D21437	NUT.250-20 FLANGEHEA	2
221	D22268	ISOLATOR RECESSED RU	2
222	NCT001	TOOL NOZZLE CLEANING	1
223	D30374	NOZZLE HOLDER RUBBER	1
224	17730	NOZZLE KIT 4.5 5 PAC	1
225	5140095-05	GUN	1
226	N000579	HOSE ASSEMBLY	1
226	A20559	HOSE ASSEMBLY	1
227	A21252	LANCE EXT	1
228	A19985	SOCKET QUIK CONNECT	1
229	D30492	BUTTON SNAP .302 DIA	2
230	A20817	NAMEPLATE	1
231	17086	REEL HOSE 100 CAP 3/	1
232	A16255	HANDLE	1
233	16087	NUT .313-18 UNC FLAN	4
234	F064	SCREW .313-18X1.00 H	4
238	F039	PLUG QUICK CONNECT F	1
239	17657	VALVE THERMAL RELIEF	1
241	A08076	HOSE	1
242	S065	CLAMP PRESS WASHER	2
246	F179	ORING 1/4 QC	1

## Parts List for DP3900 Type 1

Item Number	Part Number	Description	Qty Required
247	90510475	EXTENSION	1
250	90509698	SIDE HANDLE	1
251	90510816	NAMEPLATE	1
252	90510282	WARNING LABEL	1
253	90510283	WARNING LABEL	1
256	A06754	VALVE	1
257	17098	FILTER INLINE ASSY	1
260	A15412	SCREW	4
261	A14647	PLATE	1
401	285805-44	GASKET	1
402	285807-16	ELEMENT	1
403	285807-17	FILTER	1
404	285807-18	COVER	1
405	285800-05	GROMMET	1
406	285805-48	COLLAR	2
407	285800-07	COLLAR	1
408	285807-20	ELBOW	1
409	285800-46	NUT	2
411	285800-11	WING NUT	2
412	285807-19	NOSE	1
413	285805-50	BOLT	1
419	285803-03	FAN	1
420	285807-01	FLYWHEEL	1
421	285803-05	NUT	1
422	285803-06	KEY	1
423	285807-00	PULLEY	1
424	285803-08	WEIGHT	1

## Parts List for DP3900 Type 1

Item Number	Part Number	Description	Qty Required
425	285806-95	CRANKSHAFT	1
426	285806-09	BALL BEARING	1
427	285806-10	CAMSHAFT	1
428	285803-11	PUSH ROD	2
429	285803-12	ARM	2
430	285803-13	LIFTER	2
431	285800-18	PIVOT	2
432	285800-19	SPRING	1
433	285803-14	INTAKE VALVE	1
434	285803-15	VALVE	1
435	285803-16	SPRING	2
436	285803-17	RETAINER	1
437	285803-18	RETAINER	1
438	285803-19	SEAT	1
439	285803-20	ROTATOR VALVE	1
440	285803-21	PLATE	1
441	285800-27	BOLT	2
442	285800-28	NUT	2
443	285803-22	SEAL	1
447	285805-51	GASKET SET	1
448	285803-76	VALVE SET	1
449	285803-77	FLOAT SET	1
450	285805-61	CHAMBER SET	1
451	285800-51	SET SCREW	1
452	285800-52	SET SCREW	1
453	285800-53	SET SCREW	1
454	285806-82	CHOKE SET	1

## Parts List for DP3900 Type 1

Item Number	Part Number	Description	Qty Required
455	285806-83	CARBURETOR	1
456	285800-56	SCREW	1
457	285806-84	NOZZLE	1
458	285800-58	O-RING	1
459	285806-85	INSULATOR	1
460	285806-05	GASKET	1
461	285805-56	SPACER	1
462	285806-04	GASKET	1
463	285800-63	LEVER	1
464	285800-64	LEVER	1
465	285800-65	PLATE	1
466	285800-66	SPRING	1
467	285800-67	GASKET	1
468	285800-68	CUP	1
469	285800-69	SCREW	2
470	285800-70	PIN	1
471	285806-87	MAIN JET	1
471	285806-86	MAIN JET	1
471	285805-59	MAIN JET	1
472	285804-58	JET	1
473	285802-81	OIL SEAL	1
474	285801-10	O-RING	1
475	285801-11	NUT	1
476	285802-82	WASHER	2
477	285802-83	LOCK PIN	1
478	285801-14	BOLT	2
479	285802-70	BEARING	1

## Parts List for DP3900 Type 1

Item Number	Part Number	Description	Qty Required
480	285801-22	OIL ALERT UNIT	1
481	285800-41	BOLT	1
482	285802-85	CYLINDER HEAD	1
483	285802-86	GUIDE	1
484	285802-87	GUIDE	1
485	285802-88	CLIP	1
486	285806-22	GASKET	1
487	285802-90	COVER	1
488	285802-91	GASKET	1
489	285802-92	BOLT	1
490	285806-97	BOLT	2
491	285803-51	TUBE	1
492	285802-95	BOLT	2
493	285802-96	WASHER	1
494	285802-97	PIN	1
495	285804-79	BOLT	4
496	285800-98	SPARK PLUG	1
497	285803-39	STARTER ASSY.	1
498	285803-39	STARTER ASSY.	1
499	285803-41	PULLEY	1
500	285803-42	RATCHET	2
501	285803-43	SPRING	1
502	285803-44	SPRING	1
503	285804-38	BOLT	2
504	285803-46	RETAINER	1
505	285803-45	SPRING	1
506	285803-48	GRIP	1

## Parts List for DP3900 Type 1

Item Number	Part Number	Description	Qty Required
507	285803-49	ROPE	1
508	285802-71	OIL SEAL	1
510	285803-50	SCREW	1
511	285802-79	WASHER	1
533	285801-33	RUBBER TUBE	1
534	285801-34	JOINT	1
535	285807-02	TANK	1
536	285807-03	FUEL CAP	1
537	285807-04	GASKET	1
538	285801-10	O-RING	1
539	285803-72	NUT	2
540	285801-40	HOSE	1
541	285801-41	CLIP	4
542	285805-87	BOLT	2
543	285801-53	BOLT	3
547	285803-84	COLLAR	1
567	285807-05	MUFFLER	1
568	285807-06	PROTECTOR	1
569	285807-07	PROTECTOR	1
570	285805-92	EXHAUST PIPE	1
571	285807-08	CAP	1
572	285807-09	GASKET	1
573	285807-10	SPARK ARRESTOR	1
574	285805-95	GASKET	1
575	285800-41	BOLT	1
576	285801-71	SCREW	5
577	285801-72	SCREW	3

## Parts List for DP3900 Type 1

Item Number	Part Number	Description	Qty Required
578	285803-72	NUT	5
579	285807-12	CAUTION LABEL	1
580	285807-11	SCREW	1
583	285804-86	IGNITION COIL	1
584	285801-30	CAPACITOR ASSY	1
588	285804-24	GROMMET	1
589	285804-88	WIRE	1
593	285802-29	BOLT	2
594	285806-23	EMBLEM	1
599	285805-86	FILTER	1
602	285806-93	COVER ASSEMBLY	1
603	285804-36	GASKET	1
604	285800-77	CAP ASSY.	1
605	285802-74	CAP ASSY.	1
606	285800-78	GASKET	2
607	285802-64	GOVERNOR	1
608	285802-66	WEIGHT	2
609	285802-65	HOLDER	1
610	285802-67	PIN	1
611	285802-68	SLIDER	1
612	285801-07	CLIP	1
613	285802-73	DOWEL PIN	2
614	285802-71	OIL SEAL	1
615	285801-12	WASHER	1
616	285802-72	BOLT	1
617	285802-70	BEARING	1
618	285802-69	BEARING	1



## Parts List for DP3900 Type 1

Item Number	Part Number	Description	Qty Required
620	285805-77	KEY	1
626	285805-80	CLIP	1
629	285806-90	CONTROL ASSY	1
630	285806-88	ARM	1
631	285803-25	ROD	1
632	285803-26	SPRING	1
633	285806-89	SPRING	1
634	285806-91	CONTROL LEVER	1
635	285800-35	SPRING	1
636	285805-66	WASHER	1
637	285800-37	HOLDER	1
638	285805-67	SPACER	1
639	285800-39	SPRING	1
640	285805-69	SPRING	1
641	285800-41	BOLT	2
642	285800-42	BOLT	1
643	285800-43	NUT	1
644	285806-92	SCREW	1
645	285802-21	SCREW	1
646	285800-46	NUT	1
654	285806-13	RING SET	1
654	285806-14	RING SET	1
654	285806-12	RING SET	1
654	285806-24	RING SET	1
655	285806-17	PISTON	1
655	285806-18	PISTON	1
655	285806-15	PISTON	1

## Parts List for DP3900 Type 1

Item Number	Part Number	Description	Qty Required
655	285806-16	PISTON	1
656	285807-15	PIN	1
657	285806-20	CONNECTING ROD	1
657	285806-19	CONNECTING ROD	1
658	285803-37	BOLT	2
659	285803-38	CLIP	2
660	285806-98	COVER	1
661	285803-00	SHROUD	1
662	285806-99	SWITCH ASSY.	1
663	285800-41	BOLT	6
664	285805-82	CLIP	1
665	A08642	ENGINE	1
666	285802-76	SWITCH ASSY	1
667	285802-77	SHAFT	1
675	285801-75	LABEL	1
676	285805-88	LABEL	1
678	285801-78	LABEL	1